



Service Manual

Created: 14 March 2015



V-AMPIRE LX210

2 x 60-Watt Digital Guitar Modeling Workstation with 2 Original BUGERA 10" Speakers

Specifications	2
PCB Schematic	3
Parts List	9
Exploded Drawing	24

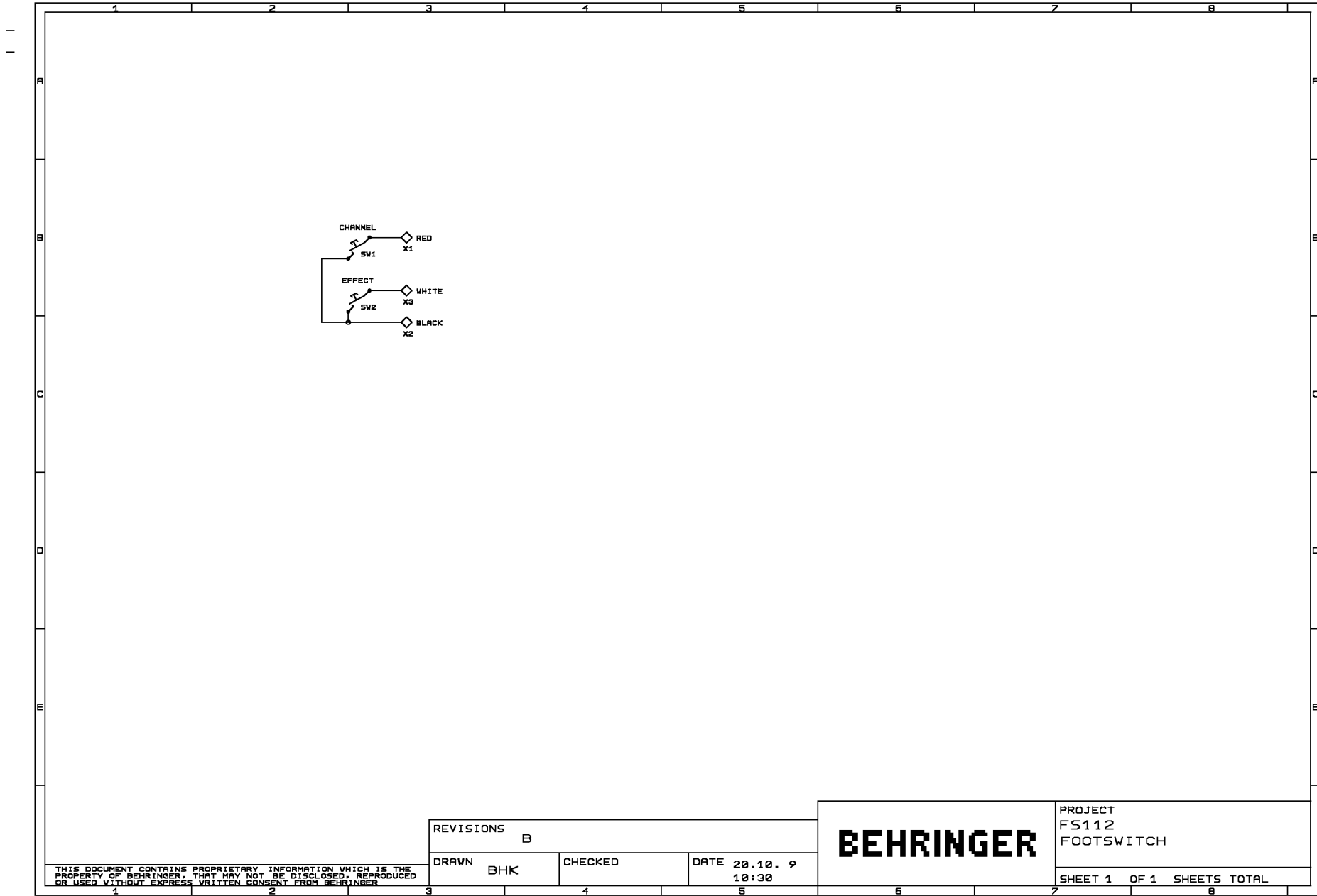
behringer.com



V-AMPIRE LX210

Specifications

- Powerful 2 x 60-Watt digital guitar modeling workstation with 32 authentic amp models, 15 speaker cabinet simulations and 16 multi-effects
- 2 original heavy-duty 10" BUGERA Vintage Guitar speakers for classic sound reproduction
- 2 x 60-Watt true stereo operation with internal or external loudspeakers
- 125 memory locations, divided into 25 banks of 5 presets each
- Intuitive rotary controls with dedicated LED indicators
- 15 rear panel connectors allow comprehensive routing to suit virtually any conceivable application—plus MIDI In, Out/Thru
- Full MIDI implementation including program change commands, control change commands and SysEx, allowing extensive MIDI control using our free V-AMP Design editor software for Windows operating systems
- Balanced stereo XLR DI Out with ground lift and switchable ULTRA-G speaker simulation
- Pre-DSP send/return for dry recording and wet monitoring
- Extremely low-noise instrument input ensures maximum guitar signal integrity
- Adjustable stereo aux input for line-level signals (CD, soundcard, monitoring, etc.)—can be re-configured to feed headphones only, for in-ear monitoring applications
- Frequency compensated stereo headphone output with adjustable volume
- Super-precise and adjustable auto-chromatic tuner
- High-quality components and exceptionally rugged construction ensure long life
- Conceived and designed by BEHRINGER Germany

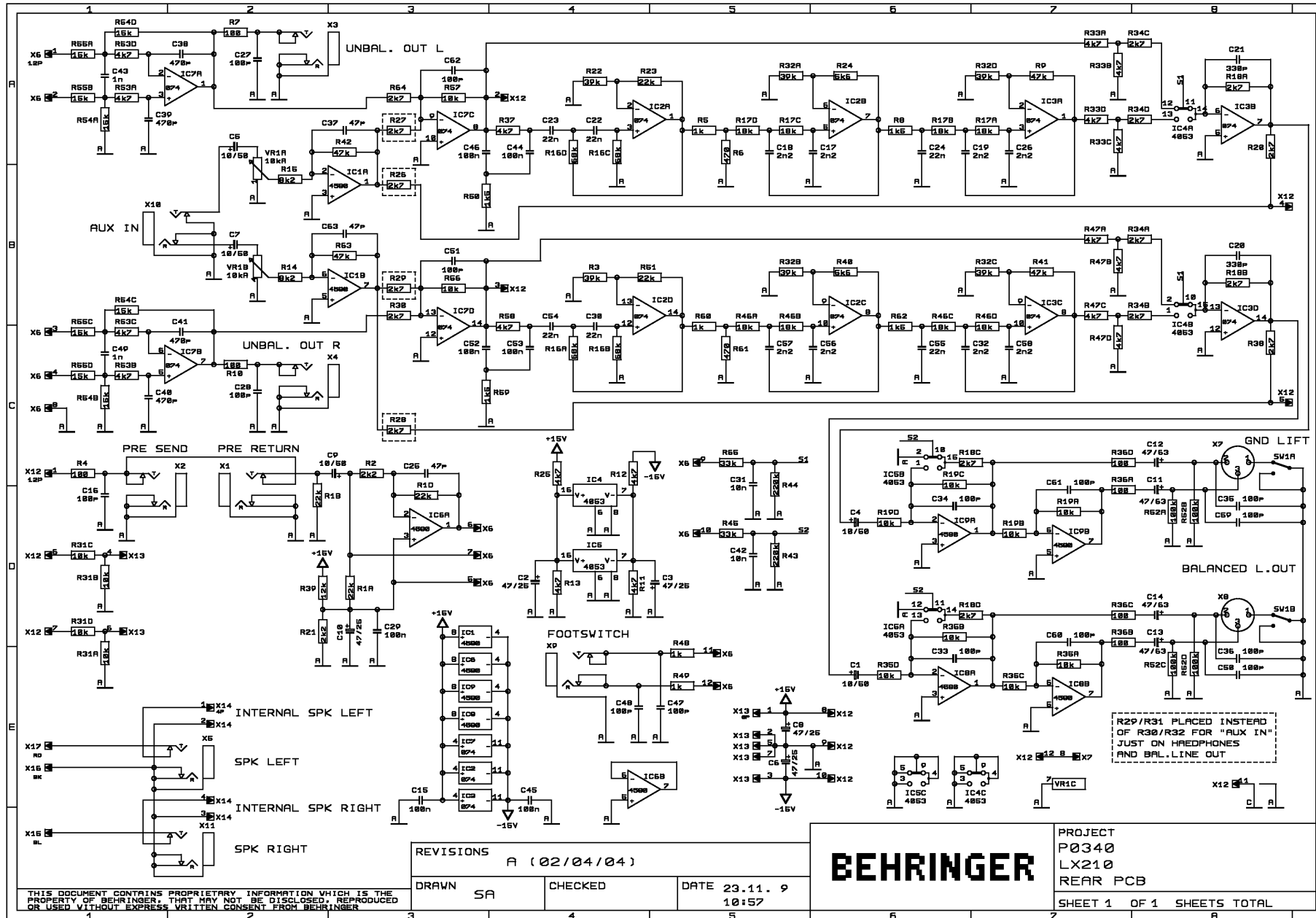


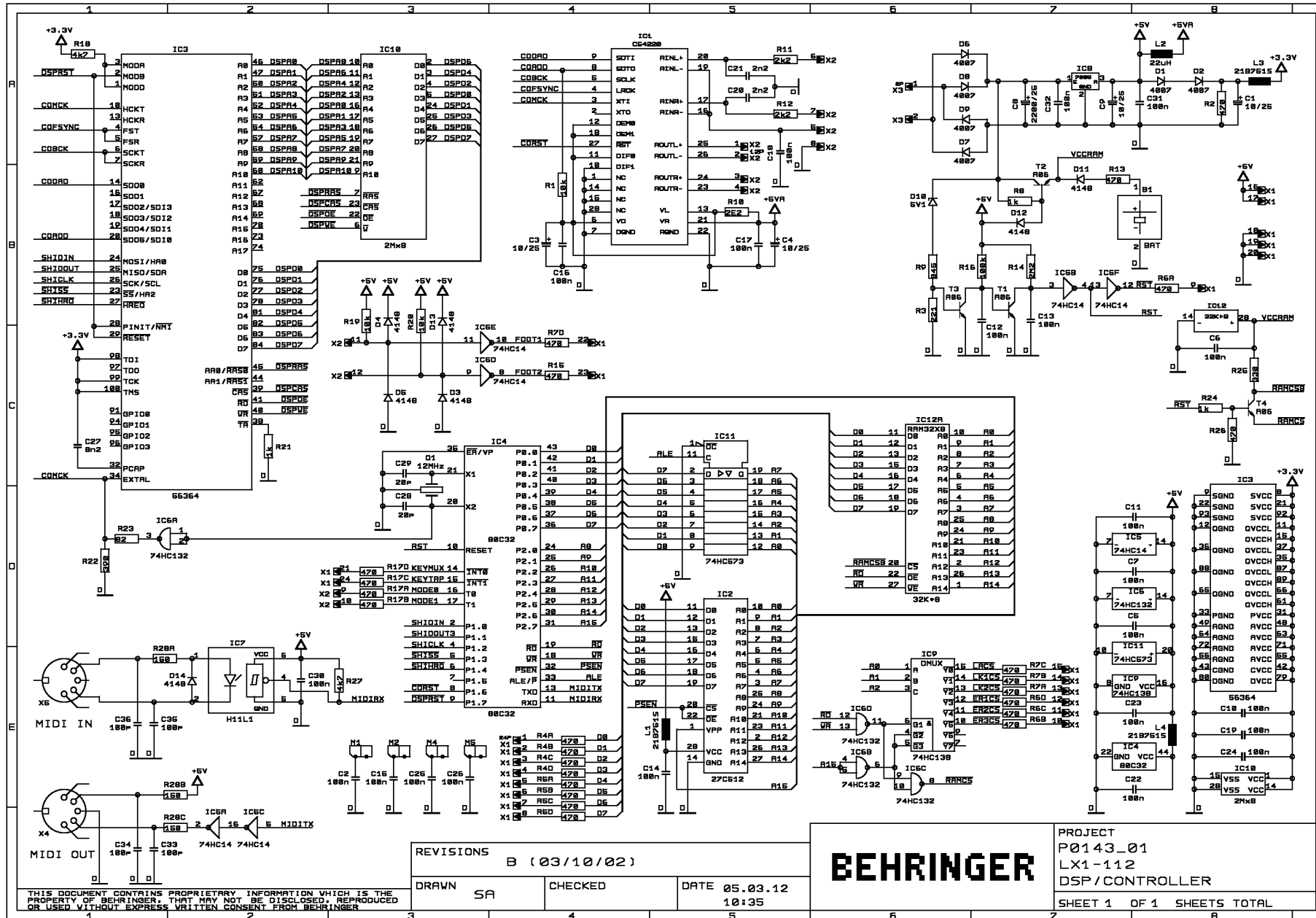
REVISIONS		
B		
DRAWN	CHECKED	DATE
BHK		20.10.9 10:30

BEHRINGER

PROJECT
FS112
FOOTSWITCH
SHEET 1 OF 1 SHEETS TOTAL

THIS DOCUMENT CONTAINS PROPRIETARY INFORMATION WHICH IS THE PROPERTY OF BEHRINGER. THAT MAY NOT BE DISCLOSED, REPRODUCED OR USED WITHOUT EXPRESS WRITTEN CONSENT FROM BEHRINGER.

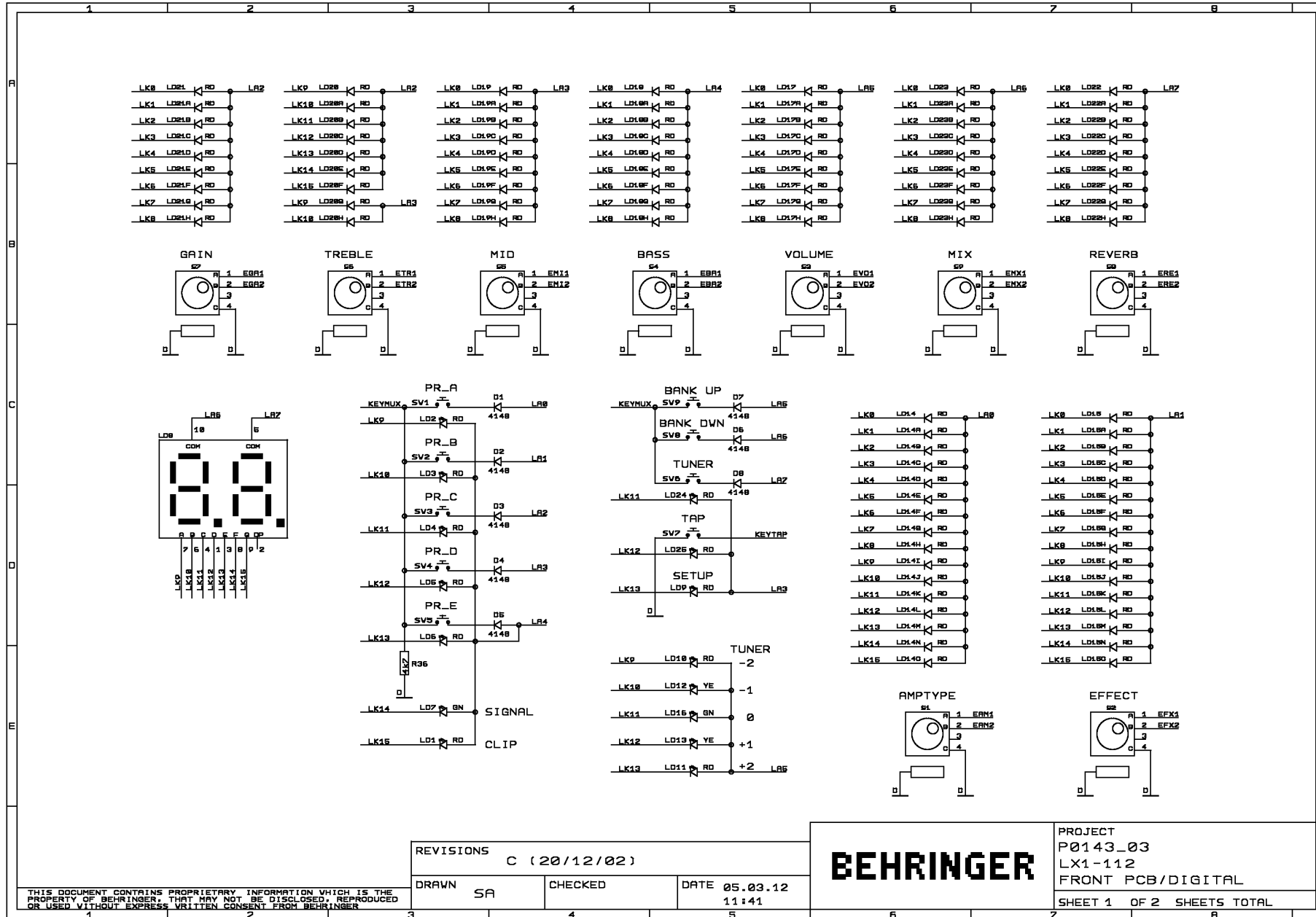


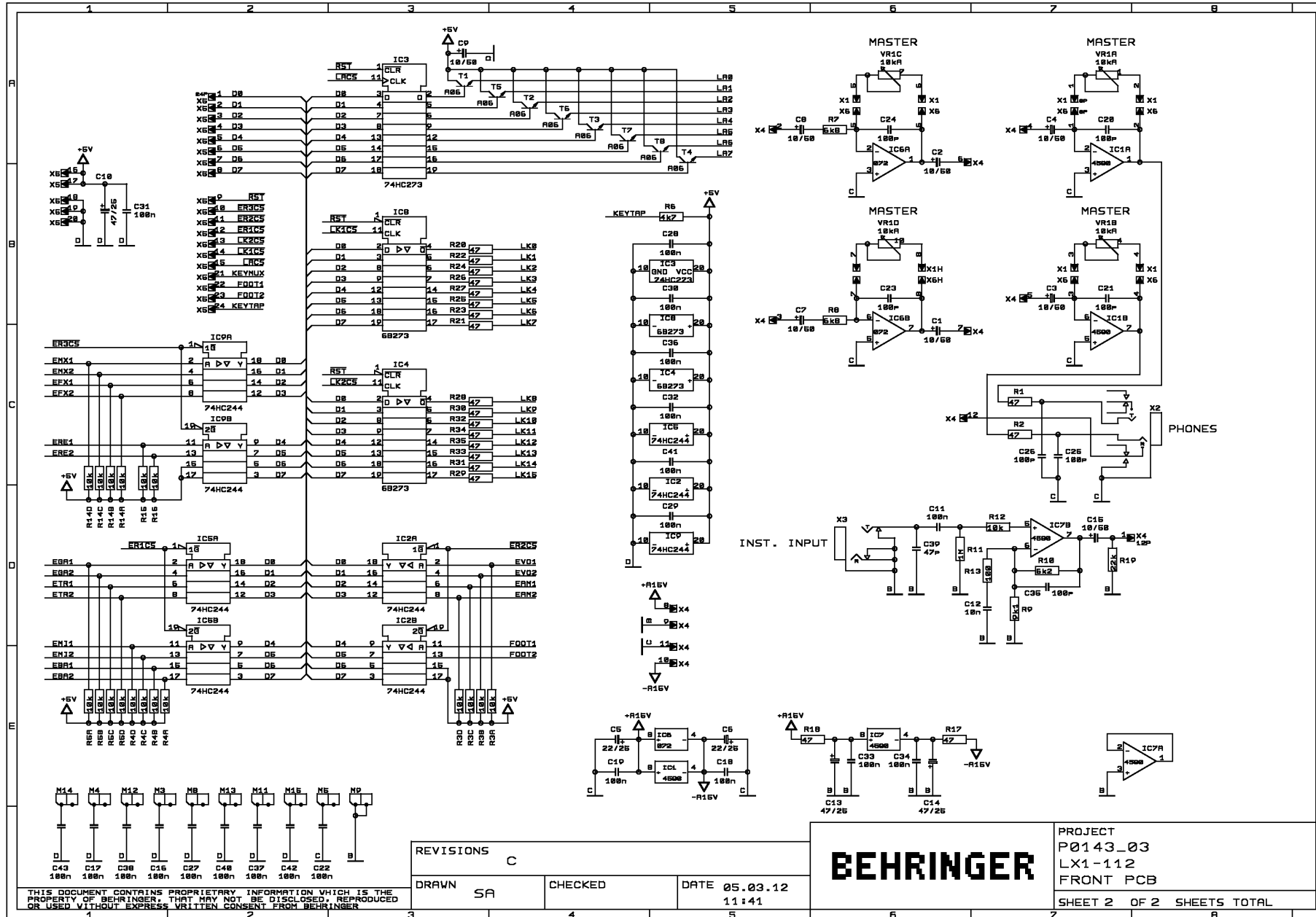


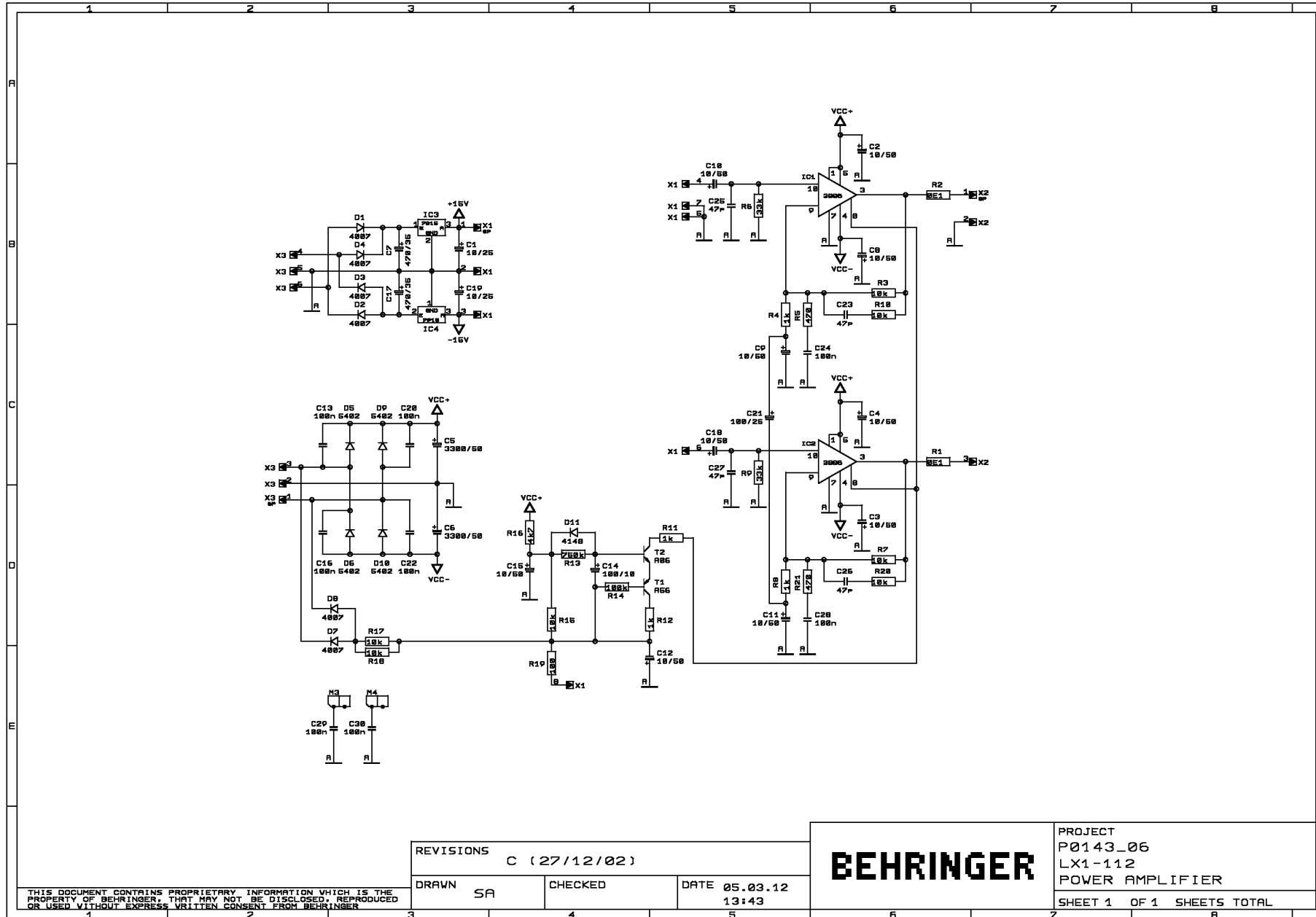
REVISIONS	B (03/10/02)		
DRAWN	SA	CHECKED	DATE 05.03.12 10:35

BEHRINGER

PROJECT
P0143_01
LX1-112
DSP / CONTROLLER
SHEET 1 OF 1 SHEETS TOTAL







REVISIONS		
C (27/12/02)		
DRAWN	CHECKED	DATE
SA		05.03.12
		13:43

BEHRINGER

PROJECT
P0143_06
LX1-112
POWER AMPLIFIER
SHEET 1 OF 1 SHEETS TOTAL

THIS DOCUMENT CONTAINS PROPRIETARY INFORMATION WHICH IS THE PROPERTY OF BEHRINGER. THAT MAY NOT BE DISCLOSED, REPRODUCED OR USED WITHOUT EXPRESS WRITTEN CONSENT FROM BEHRINGER.

Hi Pcb Assemblies

	Quantity	Unit	S.Sku	M.Sku	Description	Reference Designators	Notes
1	1.0000	PC	Q05-14301-02465	A05-14301-02465	PCB ASSEMBLY:LX112 LX210 LX1200H;PCB:1;DSP;REV:B;HI;NO:203100		
2	1.0000	PC	Q05-14303-02467	A05-14303-02467	PCB ASSEMBLY:LX112 LX210 LX1200H;PCB:3;FRONT;REV:C;HI;NO:223120		
3	1.0000	PC	Q05-14304-02468	A05-14304-02468	PCB ASSEMBLY:LX112 LX210 LX1200H;PCB:4;INPUT;REV:C;HI;NO:224120		
4	1.0000	PC	Q05-14305-02469	A05-14305-02469	PCB ASSEMBLY:LX112 LX210 LX1200H;PCB:5;POTENTIOMETER;REV:C;HI;NO:225120		
5	1.0000	PC		A05-14306-02470	PCB ASSEMBLY:LX112 LX210 LX1200H;PCB:6;POWER- AMP;REV:C;HI;NO:230120		
6	1.0000	PC	Q05-34002-02512	A05-34002-02512	PCB ASSEMBLY:LX210;PCB:2;REAR;REV:A;HI;NO:402040		
7	1.0000	PC		A05-34006-03278	PCB ASSEMBLY:LX210;PCB:6;POWER-AMP;REV:C;HI;NO:230120		

Cable

	Quantity	Unit	S.Sku	M.Sku	Description	Reference Designators	Notes
1	0.3120	M		A74-00000-00708	WIRE,RAW FLAT CABLE;UL2651;AWG:28;POLES:8;GRAY;PIN1:RED;PITCH:1mm27		
2	0.2320	M		A74-00000-00712	WIRE,RAW FLAT CABLE;UL2651;AWG:28;POLES:12;GRAY;PIN1:RED;PITCH:1mm27		
3	0.2320	M		A74-00000-00724	WIRE,RAW FLAT CABLE;UL2651;AWG:28;POLES:24;GRAY;PIN1:RED;PITCH:1mm27		
4	0.0000	PC		A74-00020-22712	CABLE;FLAT;P2mm54;LENGTH:220mm;AWG:28;FC2/FD;+10/-0mm;POLES:12		
5	0.0000	PC		A74-00040-20724	CABLE;FLAT;P2mm54;LENGTH:220mm;AWG:28;FC2/FD;+10/-0mm;POLES:24		
6	0.0000	PC		A74-00160-30708	CABLE;FLAT;P2mm54;LENGTH:300mm;AWG:28;FC4/FD;+10/-0mm;POLES:08		
7	1.0000	PC		A74-90020-22712	CABLE;FLAT;P2mm54;LENGTH:220mm;ZEE;AWG:28;FC2/FD;+10/-0mm;ZEE;POLES:12	[4: {1.0}(X4)]	
8	1.0000	PC		A74-90040-20724	CABLE;FLAT;P2mm54;LENGTH:220mm;ZEE;AWG:28;FC2/FD;+10/-0mm;ZEE;POLES:24	[3: {1.0}(X5)]	
9	1.0000	PC		A74-90160-30708	CABLE;FLAT;P2mm54;LENGTH:300mm;ZEE;AWG:28;FC4/FD;+10/-0mm;ZEE;POLES:08	[LX210:2: {1.0}(X13)]	
10	0.0000	PC		A81-05030-86742	WIRE HARNESS;LENGTH:50mm;AWG:26;P:2mm;JST;HOUSING-BOARD IN CONNECTOR;POLES:8;PIN1 RED/OTHERS BLK;		
11	1.0000	PC		A81-05030-86842	WIRE HARNESS;LENGTH:50mm;AWG:26;P:2mm;ZEE;HOUSING-BOARD IN CONNECTOR;POLES:8;PIN1 RED/OTHERS BLK;	[5: {1.0}(X1)]	
12	0.0000	PC		A81-12031-26742	WIRE HARNESS;LENGTH:120mm;AWG:26;P:2mm;SHS;HOUSING-BOARD IN CONNECTOR;POLES:12;PIN1 RED/OTHERS BLK		
13	1.0000	PC	Q81-12031-26842	A81-12031-26842	WIRE HARNESS;LENGTH:120mm;AWG:26;UL2468;P:2mm;SHS;ZEE;HOUSING-BOARD IN CONNECTOR;POLES:12;PIN1 RED/OTHERS BLK	[LX210:2: {1.0}(X6)]	
14	0.0000	PC		A85-00200-05274	CABLE;SPEAKER;AWG:18;UL1007;POLES:2;HOUSING P3.96 + (750mm +10/-0mm)RED/BLACK TWISTED - AMP 5mm2 + 610mm +10/-0mm BLUE/BLACK TWISTED - AMP 5mm2)		
15	1.0000	PC		A85-00200-15156	CABLE;SPEAKER;ZEE;AWG:18;UL1007;POLES:2;HOUSING P3.96 + (750mm +10/-0mm)RED/BLACK TWISTED - AMP 5mm2 + 610mm +10/-0mm BLUE/BLACK TWISTED - AMP 5mm2)		
16	1.0000	PC		A88-30012-06088	CABLE;SPEAKER;LX1-112;LENGTH:300mm;ZEE;AWG:18;P:3mm96;JST;HOUSING-5mm STRIP/TIN;POLES:3;SPEC.NO:30331		
17	0.0000	PC		A88-30012-30331	CABLE;SPEAKER;LX1-112;LENGTH:300mm;ZEE;AWG:18;P:3mm96;JST;HOUSING-5mm STRIP/TIN;POLES:3;SPEC.NO:30331		
18	1.0000	PC		A89-50031-25481	FOOTSWITCH CABLE;FS112;LENGTH:5000mm;F-CORE;POLES:3;COLOR:BLK;SPEC.NO:25481		
19	0.0000	PC		A76-18050-06505	CABLE;AC-CORD;LENGTH:180cm;VERSION:SAA;PLUG:HE105 ISOLATED;SAA H05VV-F 3x0.75mm2;CONN.HP-3;PANYU		(SAA)
20	1.0000	PC	Q76-15042-05624	A76-15042-05624	CABLE;AC-CORD;W/POLYBAG;LENGTH:150cm;H05VV-F3G0.75MM2;VERSION;UK;SPEC.NO:05624		(UK)
21	1.0000	PC	Q76-15212-03119	A76-15212-03119	CABLE;AC-CORD;W/POLYBAG;LENGTH:152cm;H05VV-F 3G 0.75MM2;VERSION;EU;SPEC.NO:03119		(EU)
22	1.0000	PC	Q76-18050-47490	A76-18050-47490	CABLE;AC-CORD;LENGTH:180cm;VERSION:SAA;PLUG:HE105 ISOLATED;SAA H05VV-F 3x0.75mm2;CONN.HP-3;SPEC.NO:47490		(SAA)
23	1.0000	PC	Q76-15222-06417	A76-15222-06417	CABLE;AC-CORD;W/POLYBAG;LENGTH:152cm;AWG:18;VERSION;UL;SPEC.NO:06417		(UL)
24	1.0000	PC	Q76-15032-55649	A76-15032-55649	CABLE;AC-CORD;CLASS II;W/POLYBAG;JAPAN;LENGTH:150cm;POLES:3;APPROVAL:PSE;JS15S 3 + VCTF 3x0.75mm2 + V1528		(JP)

Capacitor

	Quantity	Unit	S.Sku	M.Sku	Description	Reference Designators	Notes
1	1.0000	PC			CAP E;100uF;10V;PITCH:2mm5;5mm x 11mm;VERTICAL 12.7-15-9mm	[P0143:06: {1.0}(C14)]	*NOT available in DP
2	2.0000	PC			CAP E;10uF;25V;PITCH:2mm5;5mm x 11mm;VERTICAL 12.7-15-9mm	[P0143:06: {2.0}(C1,C19)]	*NOT available in DP
3	1.0000	PC			CAP E;100uF;25V;PITCH:2mm5;6mm x 12mm;VERTICAL 12.7-15-9mm	[P0143:06: {1.0}(C21)]	*NOT available in DP
4	10.0000	PC			CAP E;10uF;50V;PITCH:2mm5;5mm x 11mm;VERTICAL 12.7-15-9mm	[P0143:06: {10.0}(C2-C4,C8-C12,C15,C18)]	*NOT available in DP
5	4.0000	PC			CAP E;10uF;25V;PITCH:2mm5;5mm x 11mm;PRECUT:3mm2 - 0/+0mm2	[1: {4.0}(C1,C3-C4,C9)]	*NOT available in DP
6	2.0000	PC			CAP E;22uF;25V;PITCH:2mm5;5mm x 11mm;PRECUT:3mm2 - 0/+0mm2	[4: {2.0}(C5-C6)]	*NOT available in DP
7	8.0000	PC			CAP E;47uF;25V;PITCH:2mm5;5mm x 11mm;PRECUT:3mm2 - 0/+0mm2	[3: {1.0}(C10)]	*NOT available in DP
8	1.0000	PC			CAP E;2mF2;25V;PITCH:5mm;13mm x 21mm;PRECUT:3mm2 - 0/+0mm2	[1: {1.0}(C8)]	*NOT available in DP
9	2.0000	PC			CAP E;470uF;35V;PITCH:5mm;10mm x 20mm;PRECUT:3mm2 - 0/+0mm2	[6: {2.0}(C7,C17)]	*NOT available in DP
10	13.0000	PC			CAP E;10uF;50V;PITCH:2mm5;5mm x 11mm;PRECUT:3mm2 - 0/+0mm2	[3: {1.0}(C9)]	*NOT available in DP
11	2.0000	PC			CAP E;3mF3;50V;PITCH:7mm5;18mm x 36mm;PRECUT:3mm2 - 0/+0mm2	[6: {2.0}(C5-C6)]	*NOT available in DP
12	4.0000	PC			CAP E;47uF;63V;PITCH:2mm5;6mm3 x 11mm;PRECUT:3mm2 - 0/+0mm2	[LX210:2: {4.0}(C11-C14)]	*NOT available in DP
13	2.0000	PC			CAP CER;20pF;50V;20%;SMT603	[1: {2.0}(C28-C29)]	*NOT available in DP
14	4.0000	PC			CAP CER;47pF;50V;5%;COG(NPO);SMT603	[4: {1.0}(C39)]	*NOT available in DP
15	26.0000	PC			CAP CER;100pF;50V;20%;SMT603	[1: {4.0}(C33-C36)]	*NOT available in DP
16	2.0000	PC			CAP CER;330pF;50V;20%;SMT603	[LX210:2: {2.0}(C20-C21)]	*NOT available in DP
17	4.0000	PC			CAP CER;470pF;50V;10%;SMT603	[LX210:2: {4.0}(C38-C41)]	*NOT available in DP
18	2.0000	PC			CAP CER;1nF;50V;10%;SMT603	[LX210:2: {2.0}(C43,C49)]	*NOT available in DP
19	10.0000	PC			CAP CER;2nF2;50V;10%;SMT603	[1: {2.0}(C20-C21)]	*NOT available in DP
20	1.0000	PC			CAP CER;8nF2;50V;10%;SMT603	[1: {1.0}(C27)]	*NOT available in DP
21	2.0000	PC			CAP CER;10nF;50V;10%;SMT805	[LX210:2: {2.0}(C31,C42)]	*NOT available in DP
22	6.0000	PC			CAP CER;22nF;50V;10%;SMT805	[LX210:2: {6.0}(C22-C24,C30,C54-C55)]	*NOT available in DP
23	25.0000	PC			CAP CER;100nF;50V;+80/-20%;SMT805	[1: {22.0}(C2,C5-C7,C10-C19,C22-C26,C30-C32)]	*NOT available in DP
24	26.0000	PC			CAP CER;100nF;50V;X7R;10%;SMT805	[3: {15.0}(C16-C17,C27-C32,C36-C38,C40-C43)]	*NOT available in DP
25	4.0000	PC			CAP FILM;100nF;100V;MPF;10%;PITCH:5mm;BOX;VERTICAL 12.7-15-9mm	[P0143:06: {4.0}(C13,C16,C20,C22)]	*NOT available in DP
26	1.0000	PC			CAP FILM;10nF;50V;MPF;10%;PITCH:5mm;BOX;PRECUT:3mm1 +/- 0mm5	[4: {1.0}(C12)]	*NOT available in DP
27	1.0000	PC			CAP FILM;100nF;100V;MPF;10%;PITCH:5mm;BOX;PRECUT:3mm1 +/- 0mm5	[4: {1.0}(C11)]	*NOT available in DP

Circuit Protector

	Quantity	Unit	S.Sku	M.Sku	Description	Reference Designators	Notes
1	1.0000	PC	R22-01513-25001	B22-01513-25001	FUSE;2A5;250V;SLOW BLOW;H-TYPE;5mm x 20mm		(EU, UK, SAA)
2	1.0000	PC	R22-01515-00001	B22-01515-00001	FUSE;5A;250V;SLOW BLOW;H-TYPE;5mm x 20mm		(UL, JP)

Coil

	Quantity	Unit	S.Sku	M.Sku	Description	Reference Designators	Notes
1	1.0000	PC		B33-12206-00520	COIL;RADIAL;22uH;L:1mm91;(CW45-220K)	[1: {1.0}{L2}]	
2	3.0000	PC	R39-00000-03394	B39-00000-03394	COIL;SMD;BEAD;SMD0805;(BLM21BD751SN1D)	[1: {3.0}{L1,L3-L4}]	

Connector

	Quantity	Unit	S.Sku	M.Sku	Description	Reference Designators	Notes
1	7.0000	PC		B84-25006-06016	CRIMP TERMINAL;PITCH:3mm96;AWG24-26;A3961T1B-2C		
2	4.0000	PC	R84-30000-06293	B84-30000-06293	JACKET;FOR 205 TERMINAL;DIA:4mm		
3	2.0000	PC	R84-30046-39242	B84-30046-39242	CONNECTOR;AMP CONN TERMINAL;MATERIAL:PAPER FIBRE;QUADRUPLE;(BWF38703003-TERMINAL-REVA.DWG)		
4	1.0000	PC	R84-30060-06009	B84-30060-06009	JACKET;FOR 6mm35 AMP CONNECTOR;PVC;STRAIGHT;DIAMETER:4mm		
5	4.0000	PC		B84-32050-05838	CRIMP CONNECTOR;AMP;RECEPTABLE;6mm3 x 6mm;AWG 14-18;WIRE MOUNT;STRAIGHT;205 SERIES		
6	1.0000	PC		B84-32050-05839	CRIMP CONNECTOR;AMP;RECEPTABLE;6mm3 x 7mm5;AWG 14-18;WIRE MOUNT;STRAIGHT;250 SERIES		
7	1.0000	PC		B84-42050-00155	CRIMP CONNECTOR;LUG;INNER DIA:4mm3;AWG 14-18;WIRE MOUNT;STRAIGHT		
8	2.0000	PC		B93-63007-49632	CONNECTOR;BARE JUMPER;WIRE DIAMETER:0mm7;LENGTH:30mm	[6: {2.0}{R1-R2}]	
9	1.0000	PC	R93-80000-01038	B93-80000-01038	CONNECTOR;BATTERY HOLDER;(H2611)	[1: {1.0}{PCB1}]	
10	2.0000	PC	R95-01320-03303	B95-01320-03303	CONNECTOR;XLR;SOCKET;MALE;STRAIGHT;POLES:3	[LX210:2: {2.0}{X7-X8}]	
11	1.0000	PC	R84-39000-33065	B84-39000-33065	CONNECTOR;AWG 14-16;CLOSED ENDED;W/ NYLON66 COVER;APPROVALS:UL-CSA		(EU, UL, UK, SAA)

Diode

	Quantity	Unit	S.Sku	M.Sku	Description	Reference Designators	Notes
1	12.0000	PC			DIODE;1N4007;DO41	[1: {6.0}{D1-D2,D6-D9}]	*NOT available in DP
2	4.0000	PC			DIODE;1N5402;DO201AD;TEMIC OR FC	[6: {4.0}{D5-D6,D9-D10}]	*NOT available in DP
3	16.0000	PC			DIODE;LL4148;LL34;TEMIC OR FC	[1: {7.0}{D3-D5,D11-D14}]	*NOT available in DP
4	1.0000	PC			DIODE;ZMM05V1;SMD1206	[1: {1.0}{D10}]	*NOT available in DP

Display

	Quantity	Unit	S.Sku	M.Sku	Description	Reference Designators	Notes
1	1.0000	PC		C28-27040-28239	DISPLAY;LED;HEIGHT:0in4;PATTERN:8.8.;RD;4264V-10/RP197;PINS;19mm7	[3: {1.0}{LD12}]	

Hardware

	Quantity	Unit	S.Sku	M.Sku	Description	Reference Designators	Notes
1	6.0000	PC			NAIL;DIA:1mm12;LENGTH:10mm;18-GAUGE (0.49*0.40) FINISH;GALVANIZED		*NOT available in DP
2	120.0000	PC			NAIL;CROWN:2mm2;WIDTH:1mm27;THICKNESS:1mm0;LENGTH:25mm;18-GAUGE (0.49*0.40) FINISH;GALVANIZED		*NOT available in DP
3	16.0000	PC			NAIL;STAPLE;CROWN 10mm;LEGLNGTH:10mm;WIDTH:1.2mm;THICKNESS:0mm6;FINISH: GALVANIZED		*NOT available in DP
4	80.0000	PC			NAIL;STAPLE;CROWN 10mm;LEGLNGTH:6mm;WIDTH:1.2mm;THICKNESS:0mm6;FINISH:G ALVANIZED		*NOT available in DP
5	3.0000	PC			CABLE TIE;NYLON;4in;COLOR:		*NOT available in DP
6	0.2000	G			THERM-GREASE;COLOR:WHT;SPEC.NO:09286		*NOT available in DP
7	0.6700	G			SCREWLOCK;SPEC.NO:01090		*NOT available in DP
8	1.0000	PC			HEX.NUT;INNER DIA;M3mm;SURFACE:ZINC		*NOT available in DP
9	5.0000	PC			HEX. NUT;INNER DIA;M4mm;SURFACE:ZINC		*NOT available in DP
10	16.0000	PC			T-NUT;INNER DIA;M5mm;W/PRONG;SURFACE:ZINC/BLACK		*NOT available in DP
11	1.0000	PC			HEX. NUT;INNER DIA;M7mm;THICKNESS:2mm;SURFACE:ZINC/SILVER		*NOT available in DP
12	6.0000	PC			HEX. NUT;FOR JACK;M 3/8in;HEXWRENCH:11mm;THICKNESS:2mm;SURFACE:NICKEL/SLV		*NOT available in DP
13	1.0000	PC			HEX. NUT;FOR JACK;M 3/8in;HEXWRENCH:11mm;THICKNESS:2mm4;SURFACE:NICKEL/BLA CK		*NOT available in DP
14	2.0000	PC			HEX. NUT;FOR JACK;M 3/8in;HEXWRENCH:11mm;THICKNESS:2mm4;SURFACE:NICKEL/SILV ER		*NOT available in DP
15	1.0000	PC			HEX. NUT;FOR JACK;M12;HEXWRENCH:14mm;THICKNESS:2mm;SURFACE:NICKEL/B LACK		*NOT available in DP
16	8.0000	PC			WASHER;RUBBER;10mm*2.5mm;COLOR:BLK;DST.NO:001;DPT.NO:00 105;(SC-WA-01-045x100x025-RU-BLK-REVA.DWG)		*NOT available in DP
17	1.0000	PC	V87-00100-13981	F87-00100-13981	GASKET1;(P0143;DST.NO:001;DPT.NO:13981;(P0143-GASKET1- REVA.DWG)		
18	2.0000	PC		F87-01000-12070	PAD;RUBBER;6mm*2mm5;COLOR:BLK;DWG.NO:12070;(R14-GUITAR- RUBBERPAD-REVB.DWG)		
19	20.0000	PC			SCREW;A;4 MM;13 MM;TRUSS;3.94 MM;CHROME;PHILIPS REC.;1.5 MM;A4*13mm;PHILIPS		*NOT available in DP
20	4.0000	PC			SCREW;A2mm6*13mm;HEAD:FLAT;INSERT:PHILIPS REC.;SURFACE:BLACK/ZINC		*NOT available in DP
21	9.0000	PC			SCREW;M3mm*6mm;HEAD:PAN;INSERT:PHILIPS REC.;SURFACE:SILVER/ZINC		*NOT available in DP
22	10.0000	PC			SCREW;M3mm*6mm;HEAD:PAN;INSERT:PHILLIPS REC.;SURFACE:BLACK/ZINC		*NOT available in DP
23	6.0000	PC			SCREW;M3mm*6mm;PITCH:0mm5;HEAD:FLAT;INSERT:PHILIPS REC.;SURFACE:BLACK/ZINC		*NOT available in DP
24	4.0000	PC			SCREW;BT3mm*8mm;HEAD:PAN;INSERT:PHILIPS REC.;SURFACE:ZINC		*NOT available in DP
25	4.0000	PC			SCREW;BT3mm*8mm;HEAD:PAN;INSERT:PHILLIPS REC.;SURFACE:BLACK/ZINC		*NOT available in DP
26	2.0000	PC			SCREW;M3mm*8mm;HEAD:PAN;INSERT:PHILLIPS REC.;SURFACE:BLACK/ZINC		*NOT available in DP
27	2.0000	PC			SCREW;M3mm*10mm;HEAD:PAN;INSERT:PHILIPS REC.;SURFACE:BLACK/ZINC		*NOT available in DP
28	1.0000	PC			SCREW;M3mm*11mm;HEAD:BINDING;INSERT:PHILIPS REC.;SURFACE:BLACK/ZINC		*NOT available in DP

	Quantity	Unit	S.Sku	M.Sku	Description	Reference Designators	Notes
29	6.0000	PC			SCREW;M4mm*6mm;HEAD:PAN;INSERT:PHILIPS REC.;SURFACE:BLACK/ZINC		*NOT available in DP
30	1.0000	PC			SCREW;M4mm*10mm;HEAD:BINDING;INSERT:PHILIPS REC.;SURFACE:SILVER/ZINC		*NOT available in DP
31	4.0000	PC			SCREW;M4mm*16mm;HEAD:BINDING;INSERT:PHILIPS REC.;SURFACE:BLACK/ZINC		*NOT available in DP
32	6.0000	PC			SCREW;M4mm*30mm;HEAD:OVAL;INSERT:PHILIPS REC.;SURFACE:BLACK/ZINC		*NOT available in DP
33	6.0000	PC			SCREW;A4mm*31mm;HEAD:PAN WASHER DIA 12mm;INSERT:PHILIPS REC.;SURFACE:BLACK/ZINC		*NOT available in DP
34	4.0000	PC			SCREW;A4mm*32mm;HEAD:FLAT;INSERT:PHILIPS REC.;SURFACE:BLACK/ZINC		*NOT available in DP
35	4.0000	PC			SCREW;M4mm*40mm;HEAD:OVAL;INSERT:PHILIPS REC.;SURFACE:BLACK/ZINC		*NOT available in DP
36	4.0000	PC			SCREW;A5mm*18mm;HEAD:PAN;INSERT:PHILIPS REC.;SURFACE:BLACK/ZINC		*NOT available in DP
37	8.0000	PC			SCREW;M5mm*22mm;HEAD:PAN;INSERT:PHILIPS REC.;SURFACE:BLACK/ZINC		*NOT available in DP
38	2.0000	PC			SCREW;M5mm*25mm;HEAD:PAN;INSERT:PHILIPS REC.;SURFACE:BLACK/ZINC		*NOT available in DP
39	2.0000	PC		F89-13000-00002	INSULATION SHEET;GLIMMER;TO3886 W/HOLE		
40	1.0000	PC			SHIELD01;PCB;LX1-112;DWG.NO:31802;(LX1-112-PCBSHIELD01-REVB.DWG)		*NOT available in DP
41	1.0000	PC			SHIELD02;PCB;LX1-112;DWG.NO:30810;(LX1-112-PCBSHIELD02-REVA.DWG)		*NOT available in DP
42	1.0000	PC			SILICA GEL;MASS;30g;SPEC.NO:30QB-BB2001-4		*NOT available in DP
43	2.0000	PC			SPRING;CYLINDRICAL;FS112;6mm*14mm8;CARBON STEEL;DWG. NO:04288;(R14-FCB1010-SPRING-REVA.DWG)		*NOT available in DP
44	2.0000	PC			STUD;THREAD-DIA;3mm;LENGTH:11mm;INT/INT		*NOT available in DP
45	0.0300	M			SHRINKING TUBE;INNER DIA;4mm;SPEC.NO:01098		*NOT available in DP
46	0.0800	M			SHRINKING TUBE;INNER DIA:5mm2;SPEC.NO:16898;		*NOT available in DP
47	3.0000	PC			WASHER;PLAIN;INNER DIA:3mm;OUTER DIA:6mm;THICKNESS;0mm5		*NOT available in DP
48	4.0000	PC			WASHER;PLAIN;INNER DIA:4mm;OUTER DIA:10mm;THICKNESS;1mm;PLATING;NICKEL		*NOT available in DP
49	1.0000	PC			WASHER;PLAIN;INNER DIA:7mm2;OUTER DIA:12mm;THICKNESS;0mm5;SURFACE:ZINC/SILVER		*NOT available in DP
50	8.0000	PC			WASHER;PLAIN;INNER DIA:9mm6;OUTER DIA:13mm;THICKNESS;0mm5;PLATING:NICKEL		*NOT available in DP
51	1.0000	PC			WASHER;PLAIN;INNER DIA:9mm6;OUTER DIA:13mm;THICKNESS;0mm5;PLATING:NICKEL;COLOUR:BLACK		*NOT available in DP
52	1.0000	PC			WASHER;PLAIN;INNER DIA:12mm3;OUTER DIA:16mm6;THICKNESS;0mm5;SURFACE:NICKEL/BLACK		*NOT available in DP
53	5.0000	PC			WASHER;EXTERNAL TEETH;INNER DIA:3mm;OUTER DIA:6mm;THICKNESS:0mm5		*NOT available in DP
54	6.0000	PC			WASHER;EXTERNAL TEETH;INNER DIA:4mm;OUTER DIA:7mm;THICKNESS;1mm7		*NOT available in DP
55	10.0000	PC			WASHER;DONUT;INNER DIA:5mm5;OUTER DIA:16mm;THICKNESS;2mm6;PLATING;BLACK/ZINC		*NOT available in DP
56	0.1200	G		F97-00100-02478	PAPER,KRAFT;WIDTH:300mm;THICKNESS:0mm05		
57	1.0000	PC		F97-17000-04145	SHEET;FOAM;FOOTSWITCH;FS112;W/ DURABLE ADHESIVE;DWG.NO:04145;(R14-GX112-FOAM-REVA.DWG)		
58	1.0000	PC			BUSHING;CABLE;FS112;NYLON;DWG.NO:04141;(R14-CABLEBUSHING-REVA.DWG)		*NOT available in DP
59	2.0000	PC			BUSHING;MINIATURE;NYLON;DWG.NO:27886;(R20-SC-PLA_NYLBUSHM3x1_4.DWG)		*NOT available in DP

	Quantity	Unit	S.Sku	M.Sku	Description	Reference Designators	Notes
60	4.0000	PC			SCREW;M3mm*6mm;PITCH:0mm5;HEAD:FLAT;DIA:4mm5;INSERT:P HILIPS REC.;SURFACE:BLACK/ZINC		*NOT available in DP

Ic

	Quantity	Unit	S.Sku	M.Sku	Description	Reference Designators	Notes
1	1.0000	PC	S60-54422-00528	C60-22422-00528	IC;AD/DA;V4220M;SSOP	[1: (1.0){IC1}]	
2	0.0000	PC		C60-54422-00528	IC;AD/DA;CS4220;SOP		
3	2.0000	PC	S61-55388-61311	C61-55388-61311	IC;POWER AMP;LM3886;T		
4	5.0000	PC		C73-00000-29050	IC;OPAMP;SMD;SOP;8;BA4580RF	[4: (1.0){IC7}]	
5	3.0000	PC	S73-58007-40514	C73-31007-40514	IC;OPAMP OPAMP;TL074;SOP;	[LX210:2: {3.0}{IC2-IC3,IC7}]	
6	1.0000	PC	S73-58007-22208	C73-58007-22208	IC;OPAMP OPAMP;TL072;SOP;BRAND:ST ONLY	[4: (1.0){IC6}]	
7	1.0000	PC		C73-59458-00408	IC;OPAMP OPAMP;NJM4580L;SIP	[4: (1.0){IC1}]	
8	0.0000	PC	S73-59458-00508	C73-59458-00508	IC;OPAMP OPAMP;NJM4580;SOP		
9	1.0000	PC	S77-05107-03110	C77-05107-03110	IC;VOLT.REGULATOR;7805F;FULLPACK;TO220	[1: (1.0){IC8}]	
10	1.0000	PC	S77-15107-03110	C77-15107-03110	IC;VOLT.REGULATOR;7815F;FULLPACK;TO220	[6: (1.0){IC3}]	
11	1.0000	PC	S77-15207-03110	C77-15207-03110	IC;VOLT.REGULATOR;7915F;FULLPACK;TO220	[6: (1.0){IC4}]	
12	1.0000	PC	T17-06009-06041	D17-06009-06041	IC;DRAM;2M x 8 3.3V;60ns;FPM;SOJ28-400	[1: (1.0){IC10}]	
13	1.0000	PC	T18-96636-41800	D18-96636-41800	IC;DSP;56364;TQFP	[1: (1.0){IC3}]	
14	1.0000	PC	T22-31001-40514	D22-31001-40514	IC;LOGIC;74HC14;SOP	[1: (1.0){IC5}]	
15	1.0000	PC	T22-31013-20514	D22-31013-20514	IC;LOGIC;74HC132;SOP	[1: (1.0){IC6}]	
16	1.0000	PC	T22-31013-80516	D22-31013-80516	IC;LOGIC;74HC138;SOP	[1: (1.0){IC9}]	
17	3.0000	PC	T22-31024-40520	D22-31024-40520	IC;LOGIC;74HC244;SOP	[3: (3.0){IC2,IC5,IC9}]	
18	1.0000	PC	T22-31027-30520	D22-31027-30520	IC;LOGIC;74HC273;SOP	[3: (1.0){IC3}]	
19	1.0000	PC	T22-31057-30520	D22-31057-30520	IC;LOGIC;74HC573;SOP	[1: (1.0){IC11}]	
20	2.0000	PC	T24-84627-30520	D24-84627-30520	IC;MICROCONTROLLER;TPIC6B273;SOP	[3: (2.0){IC4,IC8}]	
21	1.0000	PC	T24-92321-60244	D24-92321-60244	IC;MICROCONTROLLER;80C32-16;PLCC	[1: (1.0){IC4}]	
22	1.0000	PC	T27-01501-15670	D27-01501-15670	IC;EPROM;27C512-150TP;DIP;OTP	[1: (1.0){IC2}]	
23	1.0000	PC	T29-07005-00470	D29-07005-00470	IC;SRAM;(STANDBY;32K x 8 5V;70ns;LOW POWER;SOP28;<5uA)	[1: (1.0){IC12}]	
24	2.0000	PC	T30-06405-30516	D30-06405-30516	IC;SWITCH/MUPLEX;CD4053-SB1;SOP;MOT/THOMSON ONLY;SOP	[LX210:2: {2.0}{IC4-IC5}]	

Led

	Quantity	Unit	S.Sku	M.Sku	Description	Reference Designators	Notes
1	2.0000	PC		E10-23565-00575	LED HIB;2mm x 4mm;GREEN	[3: (2.0){LD7,LD16}]	
2	2.0000	PC		E10-29585-00577	LED HIB;2mm x 4mm;YELLOW	[3: (2.0){LD8,LD13}]	
3	4.0000	PC		E12-27630-00576	LED;2mm x 4mm;RD	[3: (4.0){LD1,LD9-LD11}]	
4	7.0000	PC		E12-57630-00591	LED;RD;3mm ROUND NO BOTTOM RING	[3: (7.0){LD2-LD6,LD24-LD25}]	

Metal Part

	Quantity	Unit	S.Sku	M.Sku	Description	Reference Designators	Notes
1	2.0000	PC		A62-00100-02716	METAL;SPEAKER FRAME;FR259502A;MATERIAL:1mm SPCC;10in;BLACK;DST.NO:001;DPT.NO:02716;(LS-FR259502A- REVA.DWG)		
2	1.0000	PC		A62-07400-18216	METAL;BOTTOM;FS112G;BLACK;DWG.NO:18216;(R14-GX- FOOTBOTTOM-REVC.DWG)		
3	1.0000	PC		A63-00300-11554	METAL;HEATSINK;P0143;ALU;EXTRUSION;ANODIZING;BLACK;DST.N O:3;DPT.NO:11554;(LX1-112-HEATSINK-REVC.DWG)		
4	1.0000	PC		A63-02000-26332	METAL;HEATSINK;P0154;DWG.NO:26332;(LX1PRO-SP-HEATSINK- REVA.DWG)		
5	2.0000	PC		A65-00100-03484	METAL;T-YOKE;f92x5H-f31.95x18H;PLATING:WHITE ZINC;DST.NO:001;DPT.NO:03484;(LS-TY92502A-REVA.DWG)		
6	1.3000	G		A65-00100-03487	METAL;FOIL;KAPTON;WIDTH:30mm;THICKNESS:0mm1;DST.NO:001; DPT.NO:03487;(KAPTON-FOIL-0mm1-30-REVA.DWG)		
7	2.0000	PC		A65-00100-12302	METAL;TOP PLATE;TP92502E;DIA:92xDIA:34.2x5H;PLATING WEIGHT:224G;DST.NO:001;DPT.NO:12302;(LS-TP92502E[R]- REVA.DWG)		
8	2.0000	PC		A65-00100-12307	METAL;TOP PLATE ROUGHCAST;TPR92501B;DIA:92xDIA:34.2x5H;DST.NO:001;DPT.NO:1 2307;(LS-TPR92501B[R]-REVA.DWG)		
9	2.0000	PC		A65-00100-12331	METAL;TOP PLATE DISCUS;TPD92501A;DIA:92xDIA:33x5H;DST.NO:001;DPT.NO:12331;(L S-TPD92501A[R]-REVA.DWG)		
10	1.0000	PC	Q65-00200-01677	A65-00200-01677	METAL;BELT;GX-SERIES;DST.NO:002;DPT.NO:01677;(R14-MET-BELT- REVB.DWG)		
11	1.0000	PC		A65-00300-00287	METAL;PCB HOLDER;LX1-112;DST.NO:003;DPT.NO:00287;(LX1-112- PCBHOLDER01-REVC.DWG)		
12	2.0000	PC		A65-02500-28207	METAL;CORNER;STEEL;CHROME PLATED;002;DWG.NO:28207;(MCORNER-BEG002-REVC.DWG)		
13	1.0000	PC		A65-02500-28208	METAL;CORNER;STEEL;CHROME PLATED;007;DWG.NO:28208;(MCORNER-BEG007-REVE.DWG)		
14	1.0000	PC		A65-02500-28209	METAL;CORNER;STEEL;CHROME PLATED;008;DWG.NO:28209;(MCORNER-BEG008-REVD.DWG)		
15	4.0000	PC		A65-02500-30273	METAL;CORNER;STEEL;CHROME PLATED;DWG.NO:30273;(MCORNER-BEG001-REVE.DWG)		
16	2.0000	PC		A65-04700-04125	METAL;HANDLE FIXATION;BG-SERIES;(STAINLESS) STEEL;DWG.NO:04125;(R14-MET_H-COVER-REVA.DWG)		
17	2.0000	PC		A65-15000-04134	METAL;SPACER;LENGTH:4mm4;HOLE DIA:3mm5;DWG.NO:04134;(R14-FS112-SPACER-REVA.DWG)		
18	1.0000	PC		J02-00000-63942	METAL;P0A5N;SECC 1.6mm;COVER;STAMPING;SPRAYING;BLACK;D020		
19	1.0000	PC		J02-00500-30917	METAL;BACK REAR;LX210;MATERIAL:SECC 1.2;PRINTED;FST.NO:005;DPT.NO:30917;(LX1-112-REAR-CABINET- REVF.DWG)		
20	1.0000	PC		J02-00800-30837	METAL;TOP CABINET;LX210;MATERIAL:SECC 1.5;PRINTED;FST.NO:008;DPT.NO:30837;(LX1-112-TOP-CABINET- REVD.DWG)		

Plastic Part

	Quantity	Unit	S.Sku	M.Sku	Description	Reference Designators	Notes
1	4.0000	PC	W51-00300-06264	G51-00300-06264	RUBBER FOOT;ROUND;BIG;DWG.NO:06264;(R14-RUBFOOT_WASHER-REVA.DWG)		
2	1.0000	PC	W52-00500-09353	G52-00500-09353	KNOB;SWITCH;UB-S;DST.NO:005;DPT.NO:09353;(UB-S_SWKNOB-REVE.DWG)		
3	1.0000	PC	W52-20500-01697	G52-20500-01697	KNOB;POT;BLACK;DWG.NO:01697;(R14-MX-KNB004-REVD.DWG)		
4	1.0000	PC	W52-20500-28076	G52-20500-28076	KNOB;POT;LX1PRO;BLACK;DWG.NO:28076;(LX1PRO-PKNOB01-REVD.DWG)		
5	2.0000	PC	W52-80500-09382	G52-80500-09382	KNOB;SWITCH;FOOTPEDALS;BLACK;DWG.NO:09382;(R14-GUITAR-SWITCHKNOB1-REVA.DWG)		
6	9.0000	PC	W52-90500-28075	G52-90500-28075	KNOB;ENCODER;LX1PRO;BLACK;DWG.NO:28075;(LX1PRO-ENCKNOB01-REVD.DWG)		
7	1.0000	PC	W53-14000-01976	G53-14000-01976	PLASTIC;SPACER;ABS;BLACK;LENGTH:14MM2;(SWITCHSPACER14_2MM.DWG)		
8	1.0000	PC		G56-00000-31551	PLASTIC;FILLET;LX1-112;DWG.NO:31551;(LX1-112-PLASTIC_FILLET-REVA.DWG)		
9	1.0000	PC	W58-00200-01081	G58-00200-01081	PLASTIC;HANDLE;P0357;PVC;EXTRUSION;BLACK;DST.NO:002;DPT.N O:01081;(R14-PLA-BELT-REVB.DWG)		
10	1.0000	PC		G58-00400-11799	PLASTIC;LED FRAME 08;LX1PRO;PC-385;DST.NO:004;DPT.NO:11799;(LX1PRO-LEDFRAME08-REVD.DWG)		
11	7.0000	PC	W58-00400-11802	G58-00400-11802	PLASTIC;LED FRAME 09;LX1PRO;PC-385;DST.NO:004;DPT.NO:11802;(LX1PRO-LEDFRAME09-REVD.DWG)		
12	2.0000	PC	W58-00400-14417	G58-00400-14417	PLASTIC;LED FRAME 16;LX1PRO;MATERIAL:PC-385;DST.NO:004;DPT.NO:14417;(LX1PRO-LEDFRAME16-REVD.DWG)		
13	7.0000	PC		G58-00500-09352	PLASTIC;LED FRAME;VAMP;TYP:01;ABS;DST.NO:005;DPT.NO:09352;(VAMP-LEDFRAME-1-REVE.DWG)	[3: (7.0)(LD2-LD6,LD24-LD25)]	
14	2.0000	PC		G58-00800-01124	PLASTIC;ENCODER WINDOW 16;LX1PRO;DST.NO:008;DPT.NO:01124;(LX1PRO-ENCWIN16-REVB.DWG)		
15	8.0000	PC		G58-00900-01123	PLASTIC;ENCODER WINDOW 09;LX1PRO;DST.NO:009;DPT.NO:01123;(LX1PRO-ENCWIN09-REVB.DWG)		
16	1.0000	PC		G58-01000-22346	PLASTIC;CABLE BUSHING;FOR DIA 12mm SPEAKER CABLE;(R14-PLA-CABLEBUSH-REVC.DWG)		
17	2.0000	PC		G58-13100-28126	PLASTIC;TKNOB WINDOW;LX1 PRO;ABS;DWG.NO:28126;(LX1PRO-TKWIN-REVB.DWG)		
18	7.0000	PC	W58-13700-26525	G58-13700-26525	PLASTIC;TKNOB WINDOW;LX1 PRO;ACRYL;DWG.NO:26525;(LX1PRO-TKWIN-REVB.DWG)		
19	1.0000	PC		G58-19100-28034	PLASTIC;7SEG FRAME;BLACK;LX1PRO;ABS;DWG.NO:28034;(LX1PRO-7SEGFRAME-BLK-REVC.DWG)		
20	1.0000	PC		G58-19100-28077	PLASTIC;7SEG FRAME;CHROME;LX1PRO;ABS;DWG.NO:28077;(LX1PRO-7SEGFRAME-CR-REVC.DWG)		
21	8.0000	PC		G58-38100-28645	PLASTIC;ENCODER FRAME 09;LX1PRO;ABS;BLACK;DWG.NO:28645;(LX1PRO-ENCFRAME09-REVF.DWG)		
22	2.0000	PC		G58-38100-28646	PLASTIC;ENCODER FRAME 16;LX1PRO;ABS;BLACK;DWG.NO:28646;(LX1PRO-ENCFRAME16-REVD.DWG)		
23	2.0000	PC		G58-53000-25624	PLASTIC;BASE;P0089;ABS;YS1285A;BLACK;FS112 FS114 FCB1010;COLOR:BLK;DWG.NO:25624;(R14-GUITAR-SWITCHBASE1-REVB.DWG)		
24	9.0000	PC		G58-53100-27680	PLASTIC;FRAME;P0154;ABS;COLOR:BLK;DWG.NO:2768;(LX1PRO-TKNFRAME-REVD.DWG)		
25	1.0000	PC	Y62-00100-00075	I62-00100-00075	KNOB;TACT SWITCH;LX1 PRO;BLACK;A-PRINTED;FILMSET NO:001;DWG.NO:00075;(LX1PRO-TKNOB-WL1-REVD.DWG)		

	Quantity	Unit	S.Sku	M.Sku	Description	Reference Designators	Notes
26	1.0000	PC	Y62-00200-00075	I62-00200-00075	KNOB;TACT SWITCH;LX1 PRO;BLACK;B;PRINTED;FILMSET NO:002;DWG.NO:00075;(LX1 PRO-TKNOB-WL1-REVD.DWG)		
27	1.0000	PC	Y62-00300-00075	I62-00300-00075	KNOB;TACT SWITCH;LX1 PRO;BLACK;C;PRINTED;FILMSET NO:003;DWG.NO:00075;(LX1 PRO-TKNOB-WL1-REVD.DWG)		
28	1.0000	PC	Y62-00400-00075	I62-00400-00075	KNOB;TACT SWITCH;LX1 PRO;BLACK;D;PRINTED;FILMSET NO:004;DWG.NO:00075;(LX1 PRO-TKNOB-WL1-REVD.DWG)		
29	1.0000	PC	Y62-00500-00075	I62-00500-00075	KNOB;TACT SWITCH;LX1 PRO;BLACK;E;PRINTED;FILMSET NO:005;DWG.NO:00075;(LX1 PRO-TKNOB-WL1-REVD.DWG)		
30	1.0000	PC		I62-00600-00075	KNOB;TACT SWITCH;LX1 PRO;BLACK;<;PRINTED;FILMSET NO:006;DWG.NO:00075;(LX1 PRO-TKNOB-WL1-REVD.DWG)		
31	1.0000	PC	Y62-00700-00075	I62-00700-00075	KNOB;TACT SWITCH;LX1 PRO;BLACK;>;PRINTED;FILMSET NO:007;DWG.NO:00075;(LX1 PRO-TKNOB-WL1-REVD.DWG)		
32	1.0000	PC	Y62-00800-00075	I62-00800-00075	KNOB;TACT SWITCH;LX1 PRO;BLACK;TAP;PRINTED;FILMSET NO:008;DWG.NO:00075;(LX1 PRO-TKNOB-WL1-REVD.DWG)		
33	1.0000	PC	Y62-00900-00075	I62-00900-00075	KNOB;TACT SWITCH;LX1 PRO;BLACK;TUNER;PRINTED;FILMSET NO:009;DWG.NO:00075;(LX1 PRO-TKNOB-WL1-REVD.DWG)		
34	1.0000	PC		I64-00300-26540	PLASTIC;LED DISPLAY WINDOW;LX1-112;ACRYL;PRINTED;FILMSET NO:003;DWG.NO:26540;(LX1 PRO-7SEGWIN-REVB.DWG)		
35	2.0000	PC	W58-40100-04229	I68-00000-40599	PLASTIC;P0000;HANDLECOVER;B001		
36	1.0000	PC	Y68-00100-27051	I68-00100-27051	PLASTIC;SMALL LOGO;ABS;SILVER;PRINTED;FILMSET NO:001;DWG.NO:27051;(GX112-PLALOGOSMALL-REVB.DWG)		

Plug Socket

	Quantity	Unit	S.Sku	M.Sku	Description	Reference Designators	Notes
1	1.0000	PC	W61-65208-03288	G61-65208-03288	BOX HEADER;POLES:08;2 ROW;STRAIGHT;PITCH:2mm54;SCM-08S	[6: {1.0}(X1)]	
2	1.0000	PC	W61-65212-03290	G61-65212-03290	BOX HEADER;POLES:12;2 ROW;STRAIGHT;PITCH:2mm54;SCM-12S	[LX210:2: {1.0}(X12)]	
3	1.0000	PC		G61-65224-03293	BOX HEADER;POLES:24;2 ROW;STRAIGHT;PITCH:2mm54;SCM-24S	[1: {1.0}(X1)]	
4	1.0000	PC	W61-75208-05767	G61-75208-05767	CABLE HEADER;POLES:8;2 ROW;IDE;STRAIGHT;PITCH:2mm54;FC-8P		
5	1.0000	PC	W61-75212-05332	G61-75212-05332	CABLE HEADER;POLES:12;2 ROW;IDE;STRAIGHT;PITCH:2mm54;FC-12P		
6	1.0000	PC		G61-75224-05413	CABLE HEADER;POLES:24;2 ROW;IDE;STRAIGHT;PITCH:2mm54;FC-24P		
7	1.0000	PC	W61-85208-08163	G61-85208-08163	TRANSITION PLUG;FLAT CABLE;POLES:8;ROWS:2;STRAIGHT;PITCH:2mm54;BLACK;FD-08P		
8	1.0000	PC	W61-85212-08163	G61-85212-08163	TRANSITION PLUG;FLAT CABLE;POLES:12;ROWS:2;STRAIGHT;PITCH:2mm54;BLACK;FD-12P		
9	1.0000	PC		G61-85224-08163	TRANSITION PLUG;FLAT CABLE;POLES:24;ROWS:2;STRAIGHT;PITCH:2mm54;BLACK;FD-24P		
10	1.0000	PC		G63-01028-01063	SOCKET;DIP;SPACING:15mm24		
11	6.0000	PC	W64-01211-03174	G64-01211-03174	PLUG;JACK STEREO 6mm3;STRAIGHT SOLDER;W/O MET.RNG.;MET.BUSH.;NO NUT/WASHER;(JY-6351G-02-250)	[LX210:2: {6.0}(X1-X2,X5,X9-X11)]	
12	1.0000	PC	W64-01232-34349	G64-01232-34349	PLUG;JACK STEREO 6mm3;STRAIGHT SOLDER;W MET.RNG.;PLA.BUSH.;NO NUT/WASHER;(JY-6336-01-090)	[4: {1.0}(X2)]	
13	3.0000	PC	W64-16212-00005	G64-16212-00005	PLUG;PCB;PLUG;JACK STEREO 6mm3;STRAIGHTPCB LUGS;NO NUT/WASHER;METAL BUSHING;(CHUNSHENG PJ-632HA)	[4: {1.0}(X3)]	
14	0.0000	PC	W67-20103-01396	G67-20103-01396	PLUG;AC SOCK;W FUSE;COLOR:BLK;POLES:03;(RONG-FENG RF-2004-C-4.8)		
15	1.0000	PC	W71-23108-03189	G71-23108-03189	WAFER;POLES:8;STRAIGHT;PITCH:2 mm;1 ROW;JS1125-08	[4: {1.0}(X6)]	
16	1.0000	PC	W71-23112-03192	G71-23112-03192	WAFER;POLES:12;STRAIGHT;PITCH:2 mm;1 ROW;JS1125-12	[1: {1.0}(X2)]	
17	1.0000	PC	W71-24102-20590	G71-24102-20590	WAFER;POLES:2;STRAIGHT;PITCH:2.5 mm;1 ROW;JS1001-02	[1: {1.0}(X3)]	
18	1.0000	PC	W71-27103-03195	G71-27103-03195	WAFER;POLES:3;STRAIGHT;PITCH:3.96 mm;1 ROW;JS4001-03	[6: {1.0}(X2)]	
19	1.0000	PC	W71-27104-03196	G71-27104-03196	WAFER;POLES:4;STRAIGHT;PITCH:3.96 mm;1 ROW;JS4001-04	[LX210:2: {1.0}(X14)]	
20	1.0000	PC		G71-27106-03842	WAFER;POLES:6;STRAIGHT;PITCH:3.96 mm;1 ROW;JS4001-06	[6: {1.0}(X3)]	
21	20.0000	PC		G71-43000-05662	HOUSING;TERMINAL;SPH-002T-P0.5L		
22	1.0000	PC		G71-43108-05631	PLUG;HOUSING;P:2mm0;POLES:8;1 ROW;STRAIGHT;PITCH:2mm0		
23	1.0000	PC		G71-43112-05634	PLUG;HOUSING;P:2mm0;POLES:12;1 ROW;STRAIGHT;PITCH:2mm0		
24	1.0000	PC		G71-47103-05841	PLUG;HOUSING;A3961H00;PITCH:3mm96;POLES:3;ROWS:1;UL94-V0;STRAIGHT		
25	1.0000	PC		G71-47104-05842	PLUG;HOUSING;A3961H00;PITCH:3mm96;POLES:4;ROWS:1;UL94-V0;STRAIGHT		
26	20.0000	PC	W71-80000-05663	G71-80000-05663	BD.-IN-CONN;TERMINAL;SAN-002T-0.8A		
27	1.0000	PC	W71-83108-05652	G71-83108-05652	BOARD-IN-CONNECTOR;POLES:8;ROWS:1;STRAIGHT;PITCH:2 mm		
28	1.0000	PC	W71-83112-05657	G71-83112-05657	BOARD-IN-CONNECTOR;POLES:12;ROWS:1;STRAIGHT;PITCH:2 mm		
29	2.0000	PC	W76-10580-03132	G76-10580-03132	PLUG;DIN;PLUG;FEMALE;POLES:5;ANGLED	[1: {2.0}(X4-X5)]	
30	1.0000	PC		G67-20103-01421	PLUG;AC SOCK;W FUSE;COLOR:BLK;POLES:03;(JACKSON JR-101-1F)		(EU, UL, JP, UK, SAA)
31	1.0000	PC		G67-20103-01421	PLUG;AC SOCK;W FUSE;COLOR:BLK;POLES:03;(JACKSON JR-101-1F)		

Power Supply

	Quantity	Unit	S.Sku	M.Sku	Description	Reference Designators	Notes
1	1.0000	PC	W83-02153-01037	G83-02153-01037	BUTTON-CELL;CAPACITY;215mAh;3V;SPEC.NO:01037;(CR2032)		
2	1.0000	PC	Z65-71436-43606	J65-71436-43606	TRAF0;EI-POWER;LX1-112;SA96-269M-3600AF-BEH2-R0;SAA 240V;STANDARD SUCCESS;SPEC.NO:43606		(UK, SAA)
3	1.0000	PC	Z65-71437-33052	J65-71437-33052	TRAF0;EI-96;LX1-112;SJ96-330M-2400DF-BEH1-R0;JP 100V;STANDARD SUCCESS;SPEC.NO:33052		(JP)
4	1.0000	PC	Z65-71439-31762	J65-71439-31762	TRAF0;EI-96;LX1-112;SD96-330M-2400DF-BEH1-R4;EU 120/230V;STANDARD SUCCESS;SPEC.NO:31762		(EU, UL)

Quarz

	Quantity	Unit	S.Sku	M.Sku	Description	Reference Designators	Notes
1	1.0000	PC	X65-10471-20000	H65-10471-20000	QUARZ;RESONATOR;12MHz;HC49U FUNDAMENTAL	[1: (1.0)(Q1)]	

Resistor

	Quantity	Unit	S.Sku	M.Sku	Description	Reference Designators	Notes
1	1.0000	PC			RESISTOR;CARBON;2ohm2;5%;0W063;SMD603	[1: (1.0)(R10)]	*NOT available in DP
2	2.0000	PC			RESISTOR;CARBON;47ohm;5%;0W063;SMD603	[4: (2.0)(R17-R18)]	*NOT available in DP
3	1.0000	PC			RESISTOR;CARBON;82ohm;5%;0W063;SMD603	[1: (1.0)(R23)]	*NOT available in DP
4	4.0000	PC			RESISTOR;CARBON;100ohm;5%;0W063;SMD603	[4: (1.0)(R13)]	*NOT available in DP
5	1.0000	PC			RESISTOR;CARBON;330ohm;5%;0W063;SMD603	[1: (1.0)(R25)]	*NOT available in DP
6	1.0000	PC			RESISTOR;CARBON;390ohm;5%;0W063;SMD603	[1: (1.0)(R22)]	*NOT available in DP
7	4.0000	PC			RESISTOR;CARBON;470ohm;5%;0W063;SMD603	[1: (2.0)(R15,R26)]	*NOT available in DP
8	7.0000	PC			RESISTOR;CARBON;1Kohm;5%;0W063;SMD603	[1: (3.0)(R8,R21,R24)]	*NOT available in DP
9	4.0000	PC			RESISTOR;CARBON;1Kohm5;5%;0W063;SMD603	[LX210:2: (4.0)(R8,R50,R59,R62)]	*NOT available in DP
10	4.0000	PC			RESISTOR;CARBON;2Kohm2;5%;0W063;SMD603	[1: (2.0)(R11-R12)]	*NOT available in DP
11	6.0000	PC			RESISTOR;CARBON;2Kohm7;5%;0W063;SMD603	[LX210:2: (6.0)(R20,R27,R29-R30,R38,R64)]	*NOT available in DP
12	12.0000	PC			RESISTOR;CARBON;4Kohm7;5%;0W063;SMD603	[1: (2.0)(R18,R27)]	*NOT available in DP
13	2.0000	PC			RESISTOR;CARBON;5Kohm6;5%;0W063;SMD603	[LX210:2: (2.0)(R24,R40)]	*NOT available in DP
14	1.0000	PC			RESISTOR;CARBON;6Kohm2;5%;0W063;SMD603	[4: (1.0)(R10)]	*NOT available in DP
15	2.0000	PC			RESISTOR;CARBON;8Kohm2;5%;0W063;SMD603	[LX210:2: (2.0)(R14-R15)]	*NOT available in DP
16	7.0000	PC			RESISTOR;CARBON;10Kohm;5%;0W063;SMD603	[1: (3.0)(R1,R19-R20)]	*NOT available in DP
17	1.0000	PC			RESISTOR;CARBON;12Kohm;5%;0W063;SMD603	[LX210:2: (1.0)(R39)]	*NOT available in DP
18	3.0000	PC			RESISTOR;CARBON;22Kohm;5%;0W063;SMD603	[4: (1.0)(R19)]	*NOT available in DP
19	2.0000	PC			RESISTOR;CARBON;33Kohm;5%;0W063;SMD603	[LX210:2: (2.0)(R45,R65)]	*NOT available in DP
20	2.0000	PC			RESISTOR;CARBON;39Kohm;5%;0W063;SMD603	[LX210:2: (2.0)(R3,R22)]	*NOT available in DP
21	4.0000	PC			RESISTOR;CARBON;47Kohm;5%;0W063;SMD603	[LX210:2: (4.0)(R9,R41-R42,R63)]	*NOT available in DP
22	1.0000	PC			RESISTOR;CARBON;100Kohm;5%;0W063;SMD603	[1: (1.0)(R16)]	*NOT available in DP
23	2.0000	PC			RESISTOR;CARBON;220Kohm;5%;0W063;SMD603	[LX210:2: (2.0)(R43-R44)]	*NOT available in DP
24	1.0000	PC			RESISTOR;CARBON;2Mohm2;5%;0W063;SMD603	[1: (1.0)(R14)]	*NOT available in DP
25	1.0000	PC			RESISTOR;METAL;221ohm;1%;0W063;SMD603	[1: (1.0)(R3)]	*NOT available in DP
26	1.0000	PC			RESISTOR;METAL;845ohm;1%;0W063;SMD603	[1: (1.0)(R9)]	*NOT available in DP
27	1.0000	PC			RESISTOR;METAL;10Kohm;1%;0W063;SMD603	[4: (1.0)(R12)]	*NOT available in DP
28	1.0000	PC			RESISTOR;METAL;1Mohm;1%;0W063;SMD603	[4: (1.0)(R11)]	*NOT available in DP
29	16.0000	PC			RESISTOR;CARBON;47ohm;5%;0W1;SMD805	[3: (16.0)(R20-R35)]	*NOT available in DP
30	1.0000	PC			RESISTOR;CARBON;100ohm;5%;0W1;SMD805	[6: (1.0)(R19)]	*NOT available in DP
31	2.0000	PC			RESISTOR;CARBON;470ohm;5%;0W1;SMD805	[1: (2.0)(R2,R13)]	*NOT available in DP
32	2.0000	PC			RESISTOR;CARBON;1Kohm;5%;0W1;SMD805	[6: (2.0)(R11-R12)]	*NOT available in DP
33	1.0000	PC			RESISTOR;CARBON;4Kohm7;5%;0W1;SMD805	[6: (1.0)(R16)]	*NOT available in DP
34	3.0000	PC			RESISTOR;CARBON;10Kohm;5%;0W1;SMD805	[6: (3.0)(R15,R17-R18)]	*NOT available in DP
35	2.0000	PC			RESISTOR;CARBON;33Kohm;5%;0W1;SMD805	[6: (2.0)(R6,R9)]	*NOT available in DP
36	1.0000	PC			RESISTOR;CARBON;100Kohm;5%;0W1;SMD805	[6: (1.0)(R14)]	*NOT available in DP
37	1.0000	PC			RESISTOR;CARBON;750Kohm;5%;0W1;SMD805	[6: (1.0)(R13)]	*NOT available in DP
38	2.0000	PC			RESISTOR;METAL;1Kohm;1%;0W1;SMD805	[6: (2.0)(R4,R8)]	*NOT available in DP
39	2.0000	PC			RESISTOR;METAL;10Kohm;1%;0W1;SMD805	[6: (2.0)(R3,R7)]	*NOT available in DP
40	1.0000	PC			RESISTOR;ARRAY;100ohm;SMD1206;CAY16-101J4	[LX210:2: (1.0)(R36)]	*NOT available in DP
41	1.0000	PC			RESISTOR;ARRAY;150ohm;SMD1206;CAY16-150J4	[1: (1.0)(R28)]	*NOT available in DP
42	5.0000	PC			RESISTOR;ARRAY;470ohm;SMD1206;CAY16-471J4	[1: (5.0)(R4-R7,R17)]	*NOT available in DP
43	2.0000	PC			RESISTOR;ARRAY;2Kohm7;SMD1206;CAY16-227J4	[LX210:2: (2.0)(R18,R34)]	*NOT available in DP
44	3.0000	PC			RESISTOR;ARRAY;4Kohm7;SMD1206;CAY16-472J4	[LX210:2: (3.0)(R33,R47,R53)]	*NOT available in DP
45	7.0000	PC			RESISTOR;ARRAY;10Kohm;SMD1206;CAY16-103J4	[3: (4.0)(R3-R5,R14)]	*NOT available in DP

	Quantity	Unit	S.Sku	M.Sku	Description	Reference Designators	Notes
46	2.0000	PC			RESISTOR;ARRAY;15Kohm;SMD1206;CAY16-153J4	[LX210:2: {2.0}{R54-R55}]	*NOT available in DP
47	2.0000	PC			RESISTOR;ARRAY;18Kohm;SMD1206;CAY16-183J4	[LX210:2: {2.0}{R17,R46}]	*NOT available in DP
48	1.0000	PC			RESISTOR;ARRAY;22Kohm;SMD1206;CAY16-223J4	[LX210:2: {1.0}{R1}]	*NOT available in DP
49	1.0000	PC			RESISTOR;ARRAY;39Kohm;SMD1206;CAY16-393J4	[LX210:2: {1.0}{R32}]	*NOT available in DP
50	1.0000	PC			RESISTOR;ARRAY;68Kohm;SMD1206;CAY16-683J4	[LX210:2: {1.0}{R16}]	*NOT available in DP
51	1.0000	PC			RESISTOR;ARRAY;100Kohm;SMD1206;CAY16-104J4	[LX210:2: {1.0}{R52}]	*NOT available in DP
52	2.0000	PC			RESISTOR;METAL;47ohm;1%;0W25;LEAD WIRE	[4: {2.0}{R1-R2}]	*NOT available in DP

Potentiometer

	Quantity	Unit	S.Sku	M.Sku	Description	Reference Designators	Notes
1	1.0000	PC		I03-80141-01953	POTENTIOMETER;10Kohm;TAPER:A;QUAD;SHAFT:26mm6;NO DETENTS;NO NUT/WASHER;(TOPROOT RK0976G2H01-F26.6A-A10K-O)	[5: {1.0}{VR1}]	
2	1.0000	PC	Y03-34151-26033	I03-84151-01138	POTENTIOMETER;100Kohm;TAPER:A;STEREO;SHAFT:30mm;W/O CC;(TOPROOT RK112GV01-F30B12-A100KSB-O)	[LX210:2: {1.0}{VR1}]	

Encoder

	Quantity	Unit	S.Sku	M.Sku	Description	Reference Designators	Notes
1	7.0000	PC		I32-62425-02057	ENCODER;12mm;PULSES:24;DETENTS:NONE;25MM;(NOBLE RE0123PBV25FINB1-2-24E)	[3: {7.0}{S3-S9}]	
2	2.0000	PC	Y32-32425-09452	I32-62425-02058	ENCODER;12mm;PULSES:24;DETENTS:24;25MM;NO NUT/WASHER;(NOBLE RE0123PBV25FINB1-2-24PE)	[3: {2.0}{S1-S2}]	

Speaker Part

	Quantity	Unit	S.Sku	M.Sku	Description	Reference Designators	Notes
1	2.0000	PC	X77-61000-46524	H77-61000-46524	WOOFER;P0878;10 in;240 W;8 ohm;10G240J8		
2	2.0000	PC		H79-00100-03485	MAGNET; FERRITE MATERIAL:f100x50x12H;Y30;DST.NO:001;DPT.NO:03485;(LS-MG100FE12A-REVA.DWG)		
3	2.0000	PC		H79-00100-03488	VOICE COIL; CCAW;DIAMETER:32mm5;30H;DC RESISTANCE:6ohm3;0mm21 WIRE BARE DIAMETER :9.5mm WINDING;DST.NO:001;DPT.NO:03488;(LS-VC32_5K6_3A-REVA.DWG)		
4	2.0000	PC		H79-00100-06424	GASKET;LS-GA256_5P6_5B;MATERIAL:BLACK PAPER;DIAMETER:256mm5;HEIGHT:6mm5;DST.NO:001;DPT.NO:06424;(LS-GA256_5P6_5B-REVA.DWG)		
5	2.0000	PC		H79-00100-07795	CONE PAPER;CP246P53-7B;MATERIAL:PAPER;OUTER DIA:226mm;HEIGHT:53mm7;CENTER HOLE:33mm2;DST.NO:001;DPT.NO:07795;(LS-CP246P53-7B-REVA.DWG)		
6	2.0000	PC		H79-00100-07796	DUST CAP;DC65CL02B;MATERIAL:PAPER;OUTER DIAMETER:65mm;DST.NO:001;DPT.NO:07796;(LS-DC65CL02B-REVA.DWG)		
7	2.0000	PC		H79-00100-07797	DAMPER;DP96CL01B;MATERIAL:COTTON;OUTSIDE DIAMETER:96mm;HEIGHT:8mm;0mm5/50g;DST.NO:001;DPT.NO:07797;(LS-DP96CL01B-REVA.DWG)		

Switch

	Quantity	Unit	S.Sku	M.Sku	Description	Reference Designators	Notes
1	1.0000	PC	Y77-03422-02778	I77-03422-02778	SWITCH;RADIAL;2P2T;PCB VERSION;LOCKING;NONSHORT;RAD2P	[LX210:2:{1.0}(SW1)]	
2	1.0000	PC	Y84-02221-36039	I84-02221-36039	SWITCH;ROCKER;2P1T;WHITE LINE MARKING HO;LOCKING;NONSHORT;AMP TABS;V-0;6(6)A;125/250V;(CHILY3072-KGP15T1C01B02BKBTV		
3	2.0000	PC	Y87-43811-03768	I87-43811-03768	SWITCH;TACTILE;POLES:1;HEIGHT:4mm3;PCB VERSION;NONLOCK;NONSHORT	[90100:{2.0}(SW1-SW2)]	
4	9.0000	PC	Y87-73811-12842	I87-73811-12842	SWITCH;TACTILE;POLES:1;HEIGHT:7mm3;PCB VERSION;+STEM;NONLOCK;NONSHORT	[3:{9.0}(SW1-SW9)]	

Transistor

	Quantity	Unit	S.Sku	M.Sku	Description	Reference Designators	Notes
1	13.0000	PC			TRANSISTOR;MBTA06;SOT	[1:{4.0}(T1-T4)]	*NOT available in DP
2	1.0000	PC			TRANSISTOR;MBTA56;SOT	[6:{1.0}(T1)]	*NOT available in DP

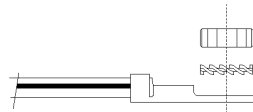
Cover

	Quantity	Unit	S.Sku	M.Sku	Description	Reference Designators	Notes
1	1.0000	YD		J11-81370-40465	VINYL COVERING;#62;0.8T;WIDTH:1370mm;COLOR:BLACK;(JIANG-MEN #62/54in)		

△C

option: only for projects with PE-cable to PCB !

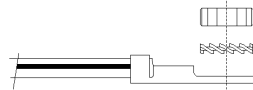
ASSEMBLED CABLE
(Yellow/Green) to PCB



HEX NUT SC-NUHEXM04
WASHER TEETH EXTERNAL SC-WATEEXT4×7×1.7
ASSEMBLED CABLE WITH LUG 4.3mm WI-00/07/xxxx/07/05/00/18/34/00

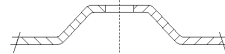
△B △C △D

ASSEMBLED CABLE
(Yellow/Green) to Power Conn.



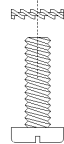
HEX NUT SC-NUHEXM04
WASHER TEETH EXTERNAL SC-WATEEXT4×7×1.7
ASSEMBLED CABLE WITH LUG 4.3mm WI-00/07/xxxx/07/05/00/18/34/00

△B △C △D



METAL CASE
WASHER TEETH EXTERNAL SC-WATEEXT4×7×1.7

△B △C △D



SCREW SC-M04×16-02-B-ZP-SLV
(standard length, can be variable if required)

△B △C △D

Part:		Name		Date	Project:
ASSEMBLE DRAWING		Drawn		PEUSE	08.01.1996
		File		R14-ASSEMBLE-PE-SCREW-REVD.DWG	
Drawing-No.:	X	Part-No.:			
		Color of Part			
		Printing			
		Surface			
D	changed from M3 to M4	03.06.2003	SCHOMMER	Scale	
C	add optional block, delete P-IDs	11.03.2002	MERKEL	Material	
B	adjust Part-IDs	11.04.2001	MERKEL	Units	
A		08.01.1996	PEUSE	Behringer	
Rev.	Modification	Date	Name	Part-ID:	DRA-ASSEMBLE/PE-SCREW
					Page 1
					of 1





We Hear You