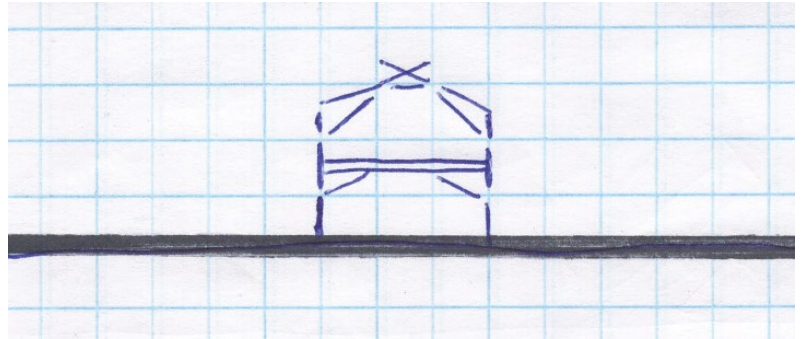


# VALHEIM - SMALL WOODEN FRAMES

v1.0 u/flapsnacc

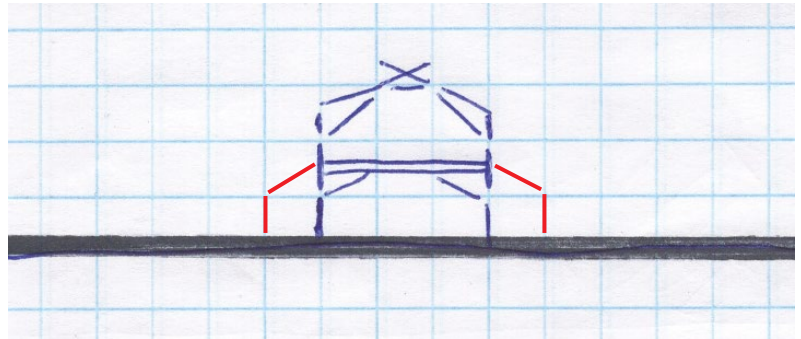
## CORE (SM)

Small two-storey frame.  
6 metres wide, 7 metres high.



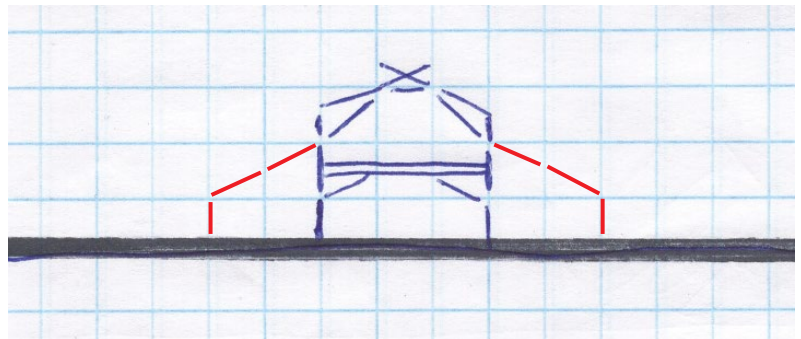
## DEFENSIVE (SM)

Keeps clear sight lines for  
defenders on 2F.  
10 metres wide, 7 metres high.



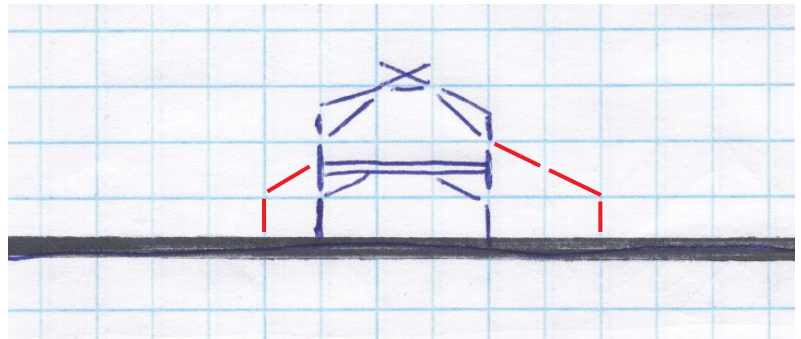
## UTILITY (SM)

Sacrifices defense for more  
interior space.  
14 metres wide, 7 metres high.



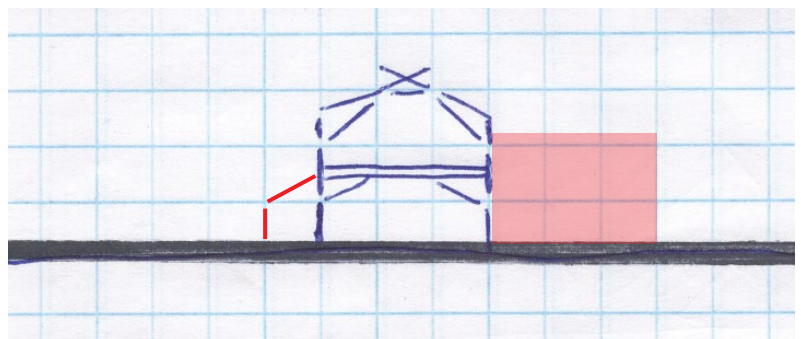
## HYBRID (SM)

Keeps clear sight lines for  
defenders on one side of 2F.  
12 metres wide, 7 metres high.



## JUNCTION (SM)

Allows one side of the frame to be  
extended by another building frame.  
7 metres high.

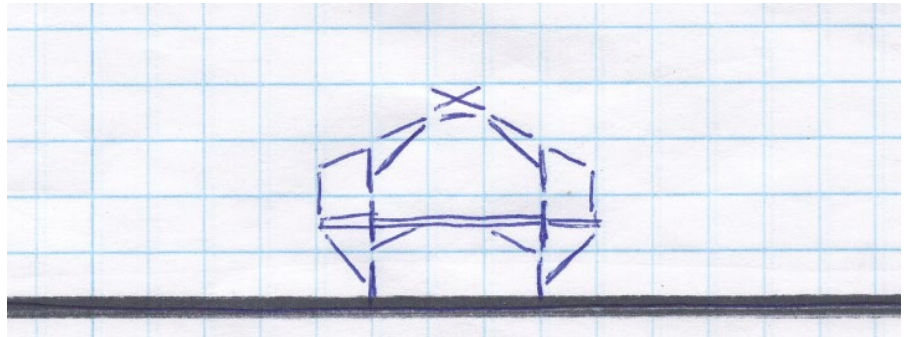


# VALHEIM - MEDIUM WOODEN FRAMES

v1.0 u/flapsnacc

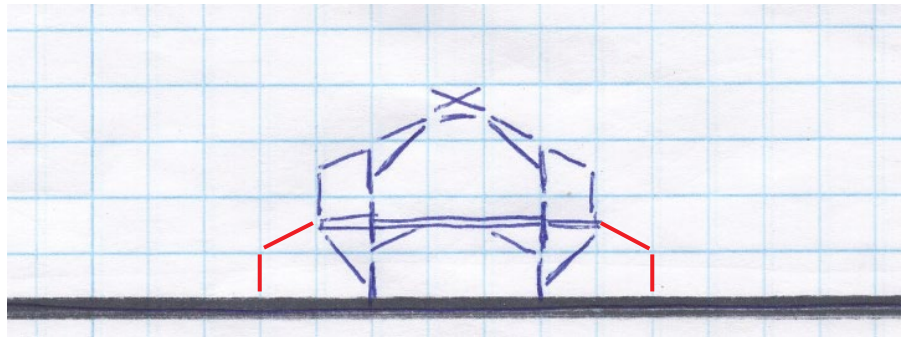
## CORE (MD)

Medium two-storey frame.  
Functions as a tower / blockhouse  
10 metres wide, 8 metres high.



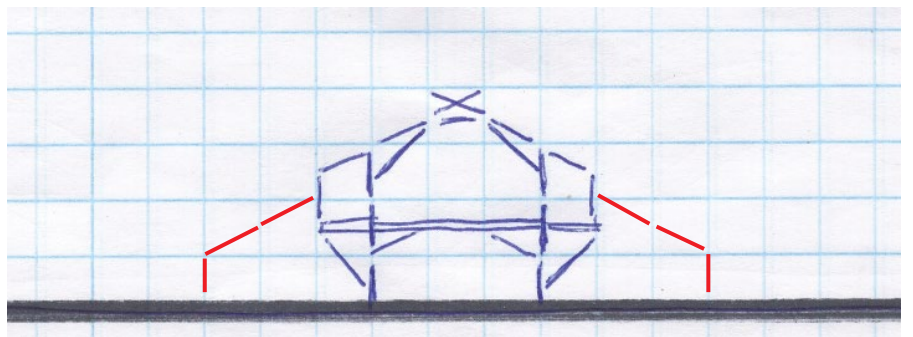
## DEFENSIVE (MD)

Keeps clear sight lines for  
defenders on 2F.  
14 metres wide, 8 metres high.



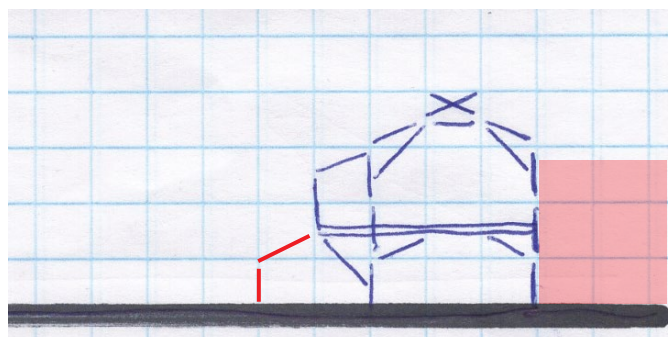
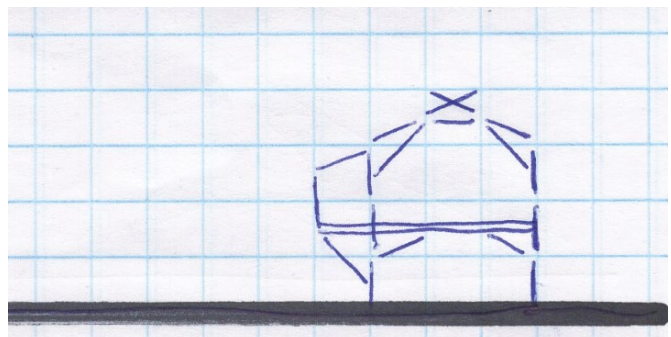
## UTILITY (MD)

Sacrifices defense for more  
interior space.  
18 metres wide, 8 metres high.



## JUNCTION (MD)

Allows one side of the frame to be  
extended by another building frame.  
8 metres high.



# VALHEIM - LARGE WOODEN FRAMES

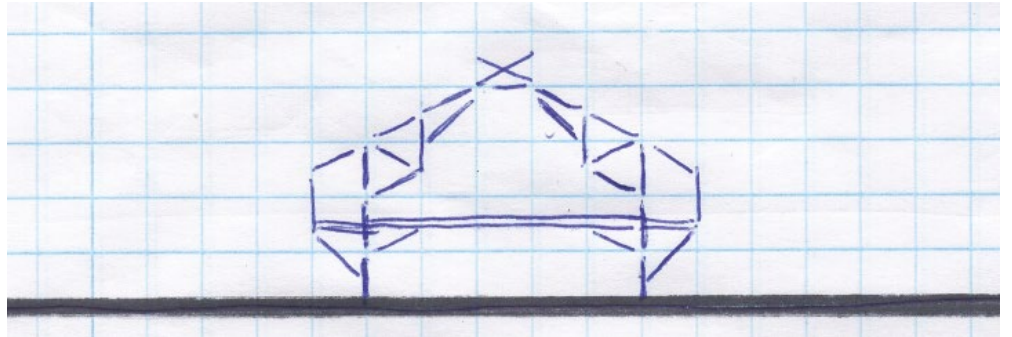
v1.0 u/flapsnacc

## CORE (LG)

Medium two-storey frame.

Functions as a tower or blockhouse

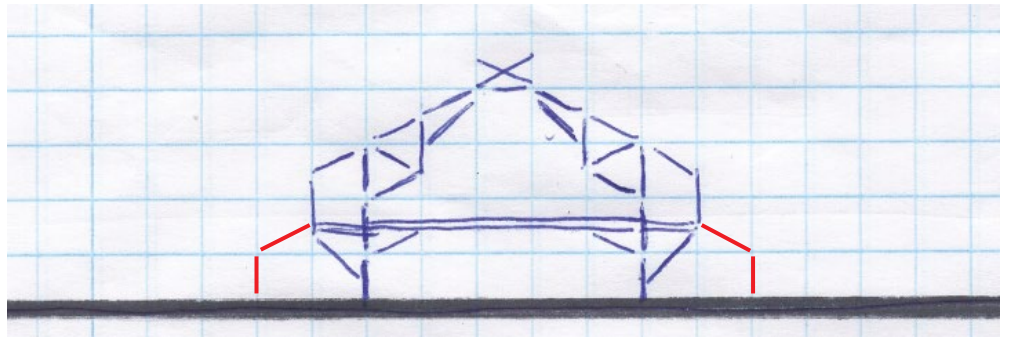
14 metres wide, 9 metres high.



## DEFENSIVE (LG)

Keeps clear sight lines for defenders on 2F.

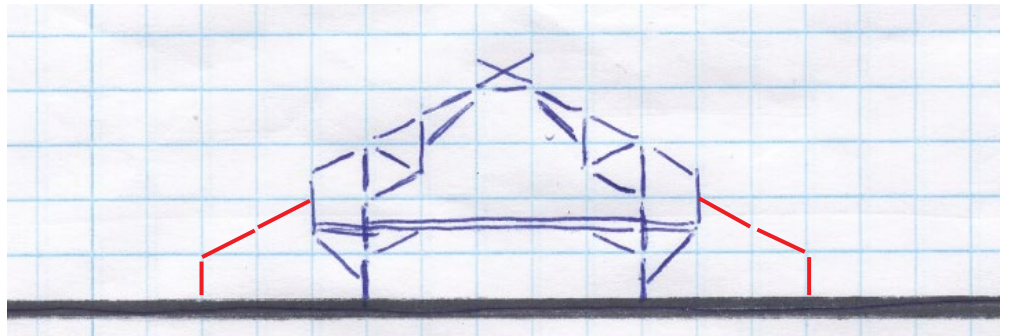
18 metres wide, 9 metres high.



## UTILITY (LG)

Sacrifices defense for more interior space.

22 metres wide, 9 metres high.



## JUNCTION (LG)

Allows one side of the frame to be extended by another building frame.

9 metres high.

