

TYPICAL CONNECTION DIAGRAM

900-015/0

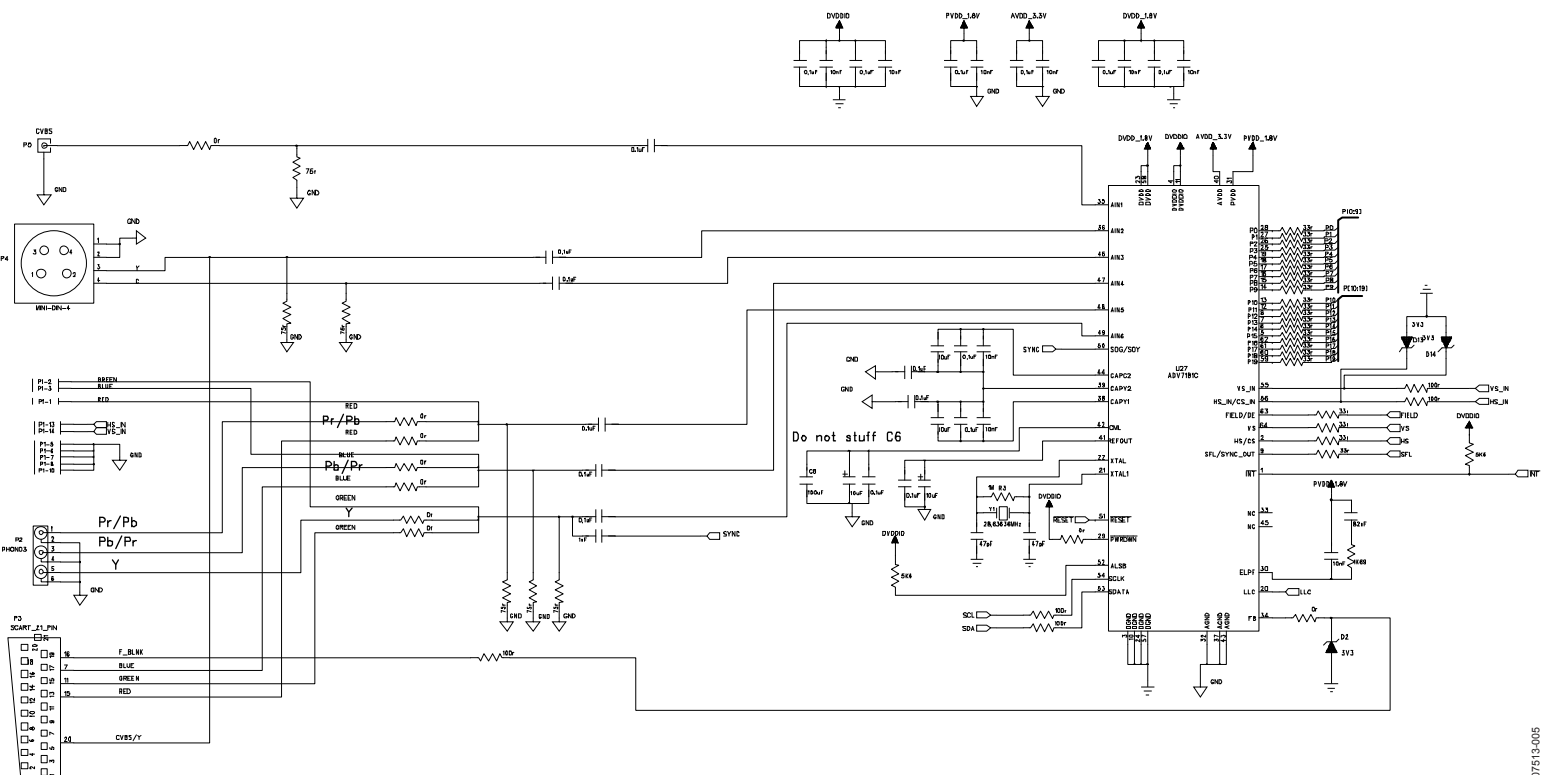


Figure 9. Typical Connection

For the latest software configuration files, visit the ADV7181C Design Support Files web page on the [EngineerZone](#) video forum.