

## Brake Pad: Procedures

### AR42.10-P-0161-01B Apply brake pad paste to brake pads

#### Repair materials

Number	Designation	Order number
BR00.45-Z-1057-06A	MB brake paste Molykote (copper colored)	A 001 989 87 51
BR00.45-Z-1083-06A	MB Never Sieze brake paste (gray)	A 001 989 94 51 12
BR00.45-Z-1084-06A	MB Plastilube brake paste (brownish)	A 002 989 37 51

#### Repair Materials

#### 1-, or 2-piston floating brake caliper "ATE", "Bosch", "TRW" or "Lucas" on front or rear axle in model 204 or 207

Contact surfaces must not be greased

#### 1-piston floating brake caliper "TRW" or "Lucas" on front axle in model 212

Contact surfaces must not be greased



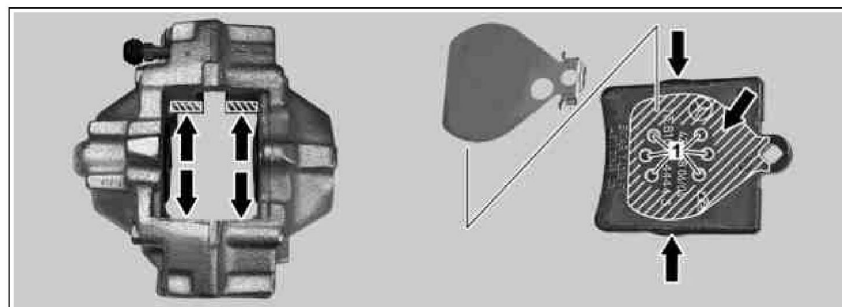
P42.10-2742-01

#### Component Identification

#### 2, 4, 6 or 8-piston fixed brake caliper "Brembo"

1 Apply light coating of grease to contact surfaces with arrows only!

Only use MB brake paste Molykote (copper colored)



P42.10-2734-04

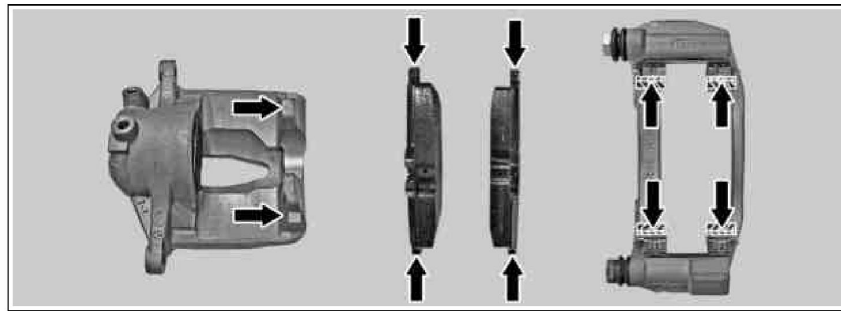
#### Component Identification

#### 4-piston fixed brake caliper "ATE" in model 463 on front axle or 2-piston fixed brake caliper "ATE" in model 171, 2039.209 on rear axle

1 Apply light coating of grease to contact surfaces with arrows only!

For brake pads with damper plates: Fill grease pockets (1) MB brake paste.

Only use MB brake paste Never Seize (gray).



P42.10-2735-04

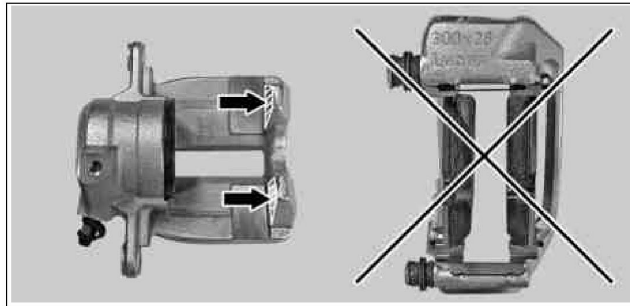
### Component Identification

#### 1-piston floating brake caliper "Bosch" in model 211 on front axle or in model 463 on rear axle.

- 1 Apply light coating of grease to contact surfaces with arrows only!

Do not grease damper plates of inner brake pads, as otherwise the rubber boots may swell up!

Only use MB brake paste Never Seize (gray).



P42.10-2736-10

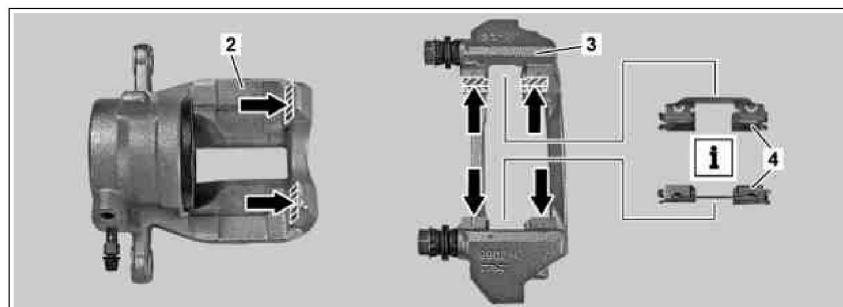
### Component Identification

#### 1-piston floating brake caliper "TRW" or "Lucas" in model 171, 2039.209 on front axle.

- 1 Apply light coating of grease to contact surfaces with arrows only!

Do not grease the pad and brake carriers, otherwise there may be problems with noise!

Only use MB brake paste Never Seize (gray).



P42.10-2737-04

### Component Identification

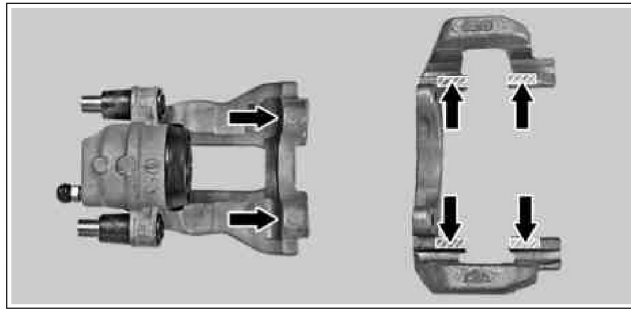
#### 1-piston floating brake caliper "TRW" or "Lucas" in model 168, 1699.246 on front or rear axle.

- 1 Apply light coating of grease to contact surfaces with arrows only!

For brake pads with self-adhesive pad carriers do not grease the contact surfaces in the floating brake caliper (2)!

Grease contact surfaces on brake carrier (3) before assembling the antirattle springs (4)! Do not grease the anti-rattle springs (4)!

Only use MB brake paste Never Seize (gray)



P42.10-2738-10

### Component Identification

#### **1, or 2-piston floating brake caliper "ATE" on front or rear axle**

- 1 Apply light coating of grease to contact surfaces with arrows only!

Model 164, 251, 212: Do not grease stub finger (wide arrows) on floating brake caliper.

Only use MB brake paste Plastilube (brownish).