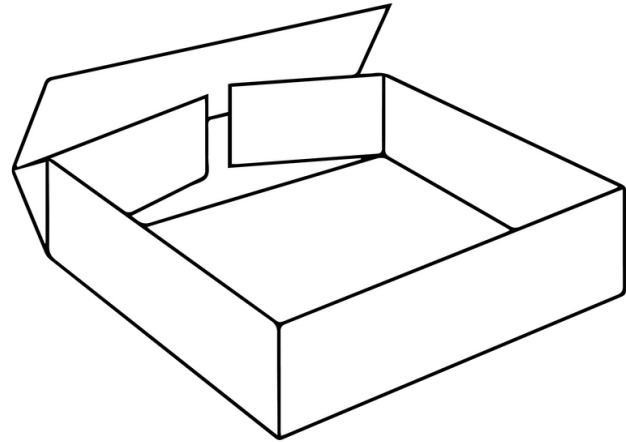
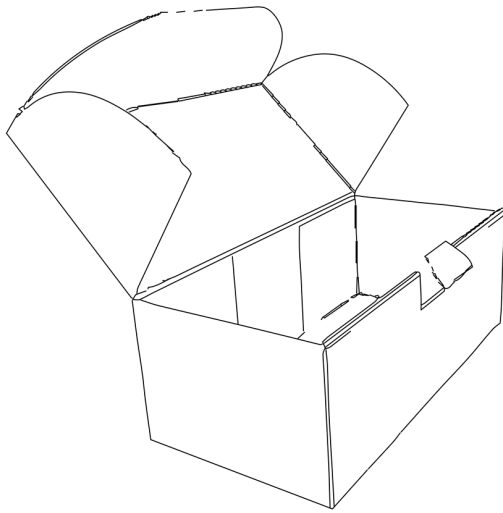




P A C K A G I N G

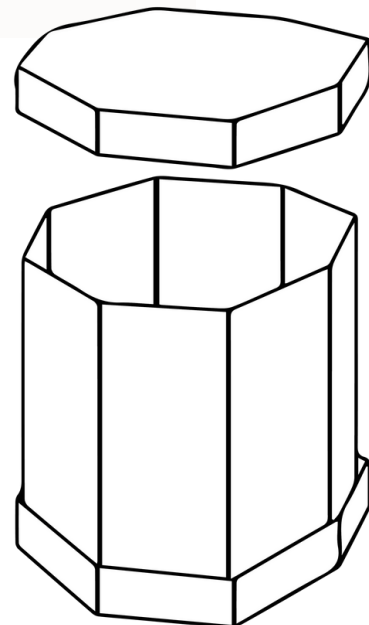
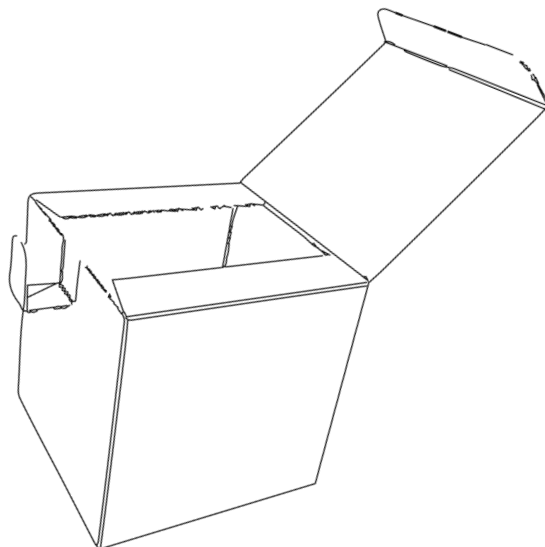
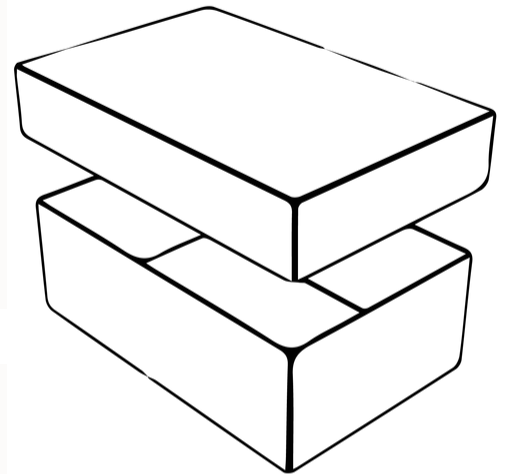
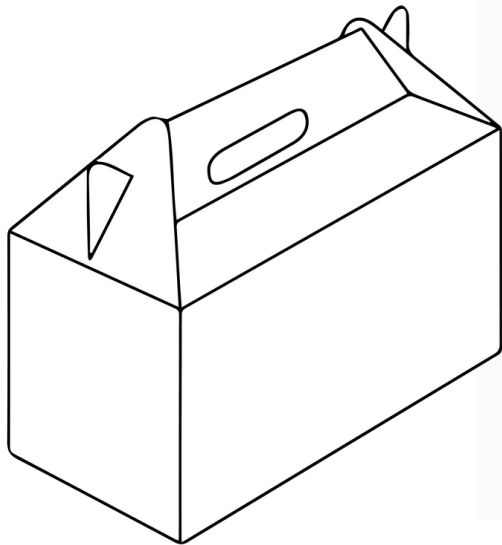
S P R I N G - S U M M E R
2 0 2 1 C A T A L O G

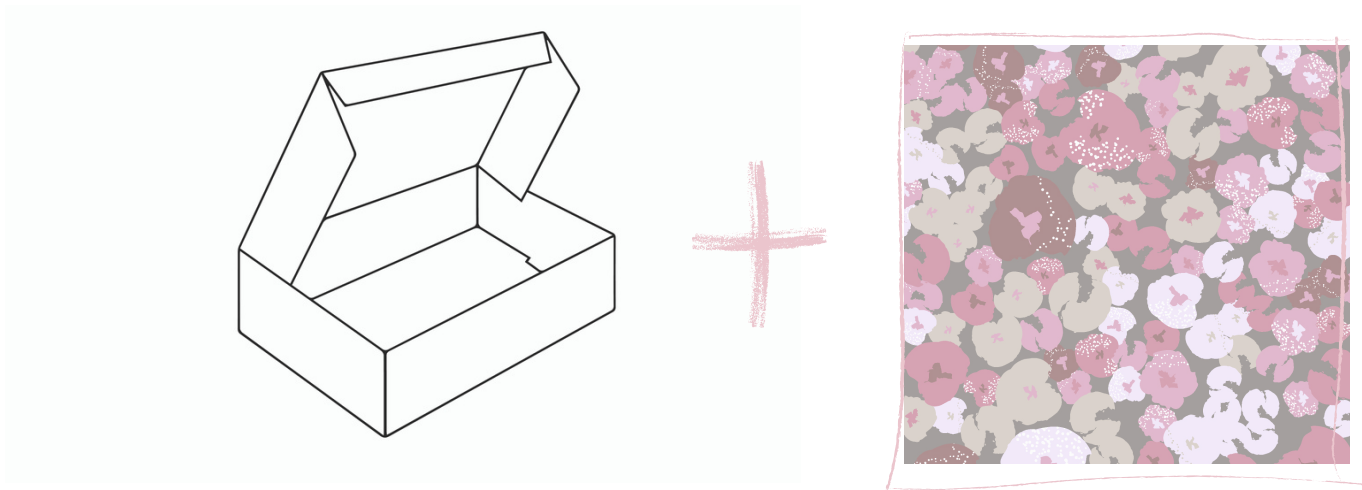


CHOOSE

YOUR SHAPE

ALL ADJUSTABLE

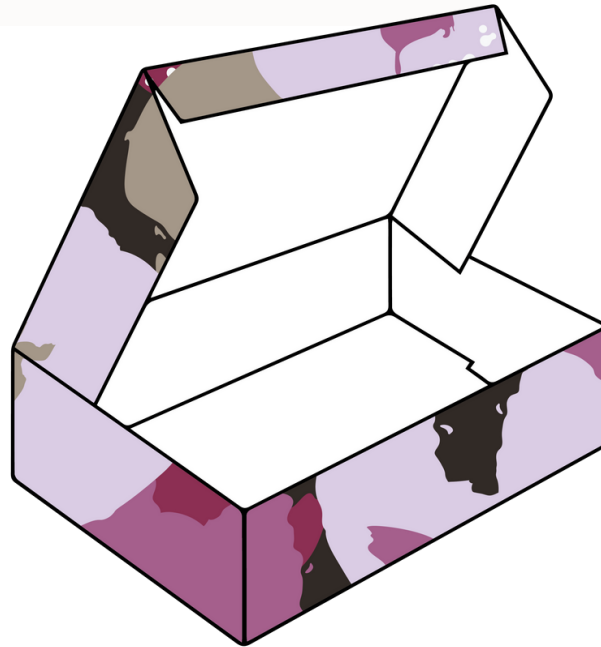




A PLAN MADE FOR YOU

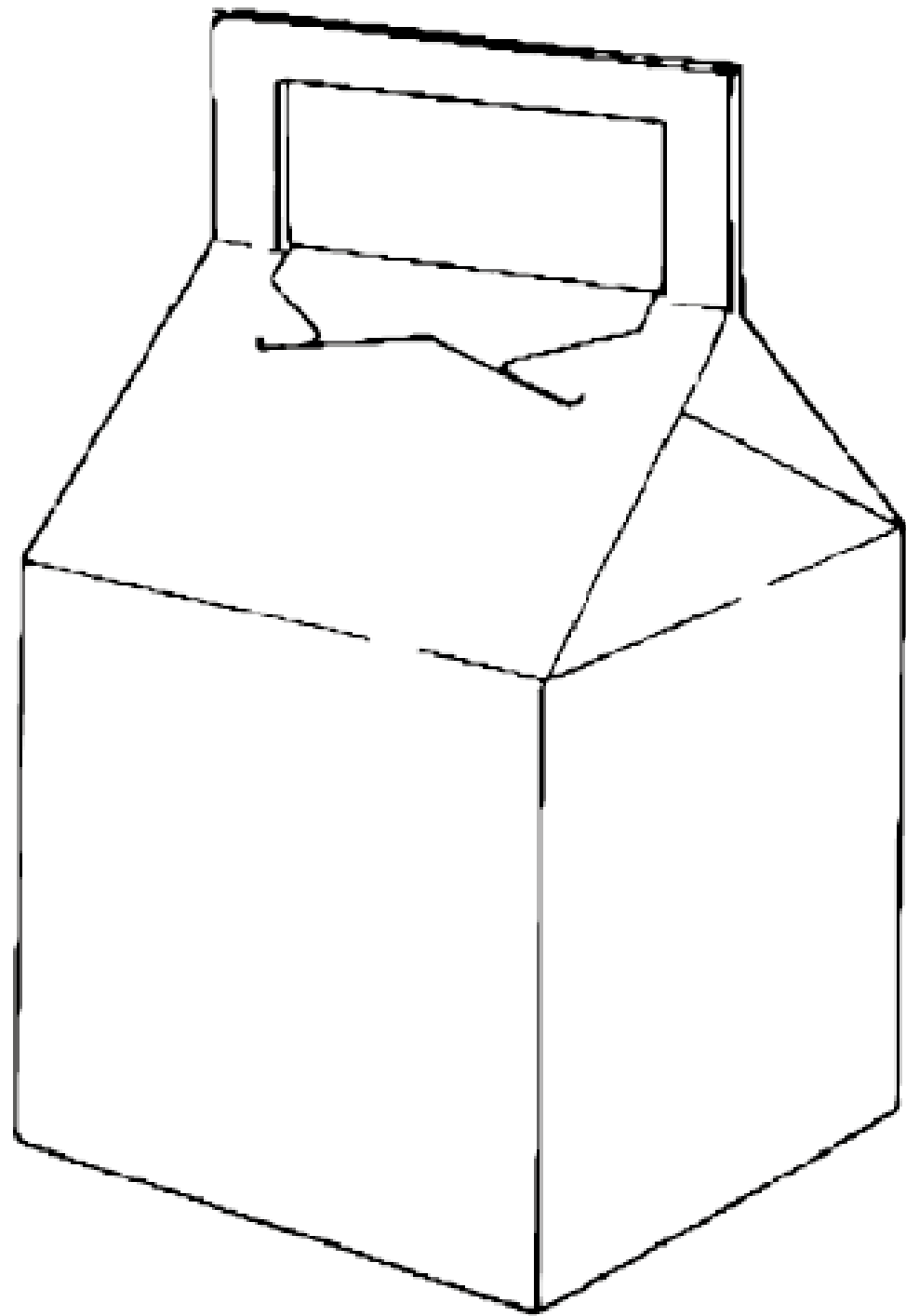
A D D G R A P H I C S

D E S I G N E R S N E T W O R K

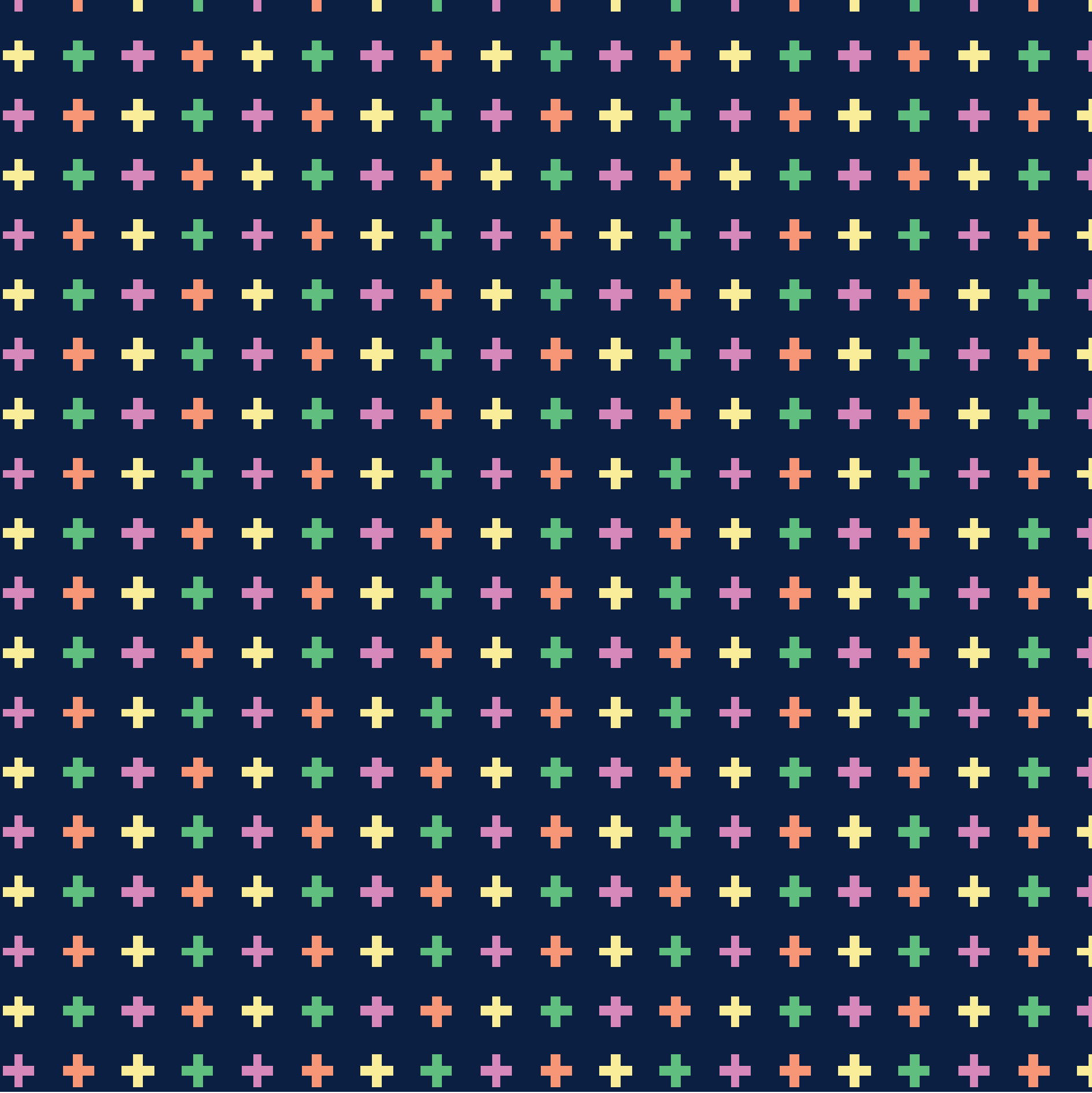


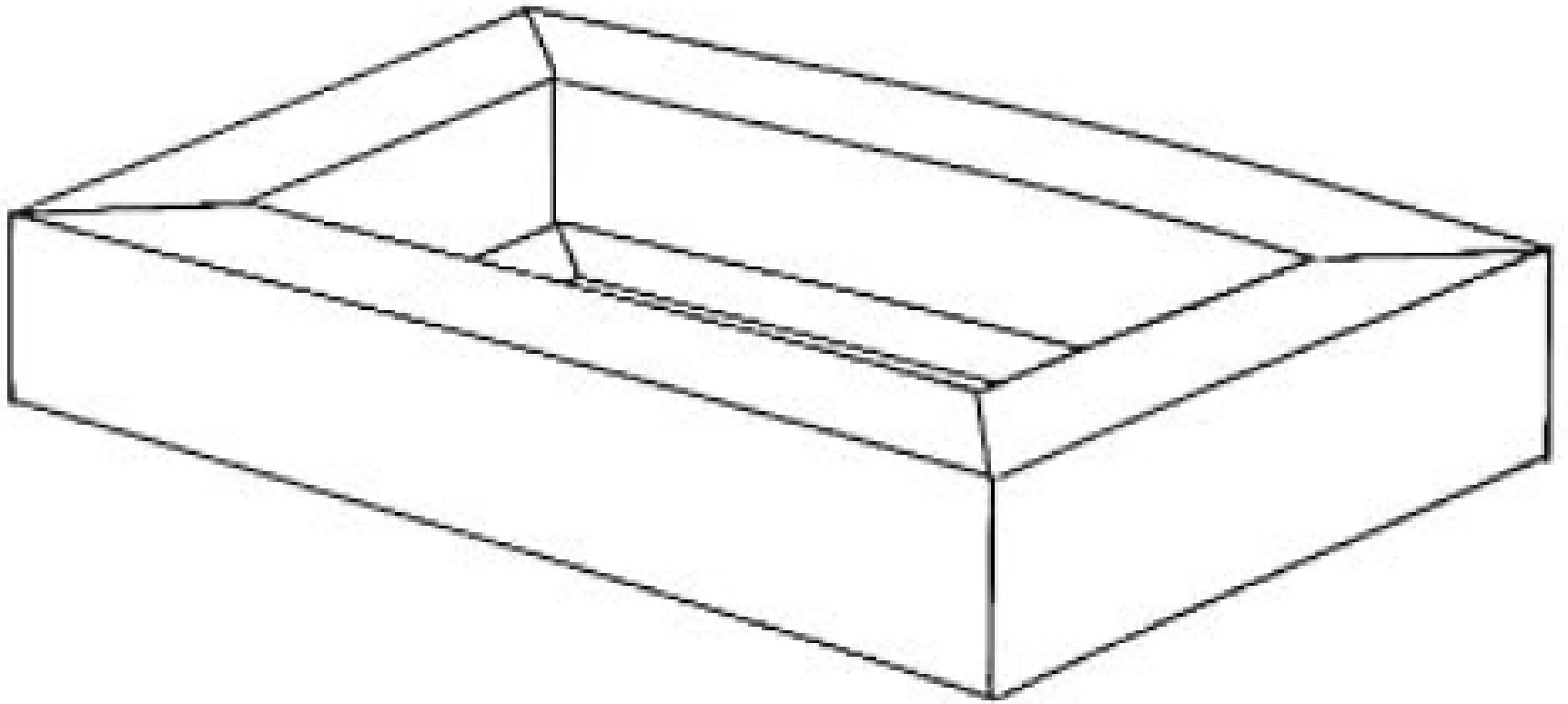






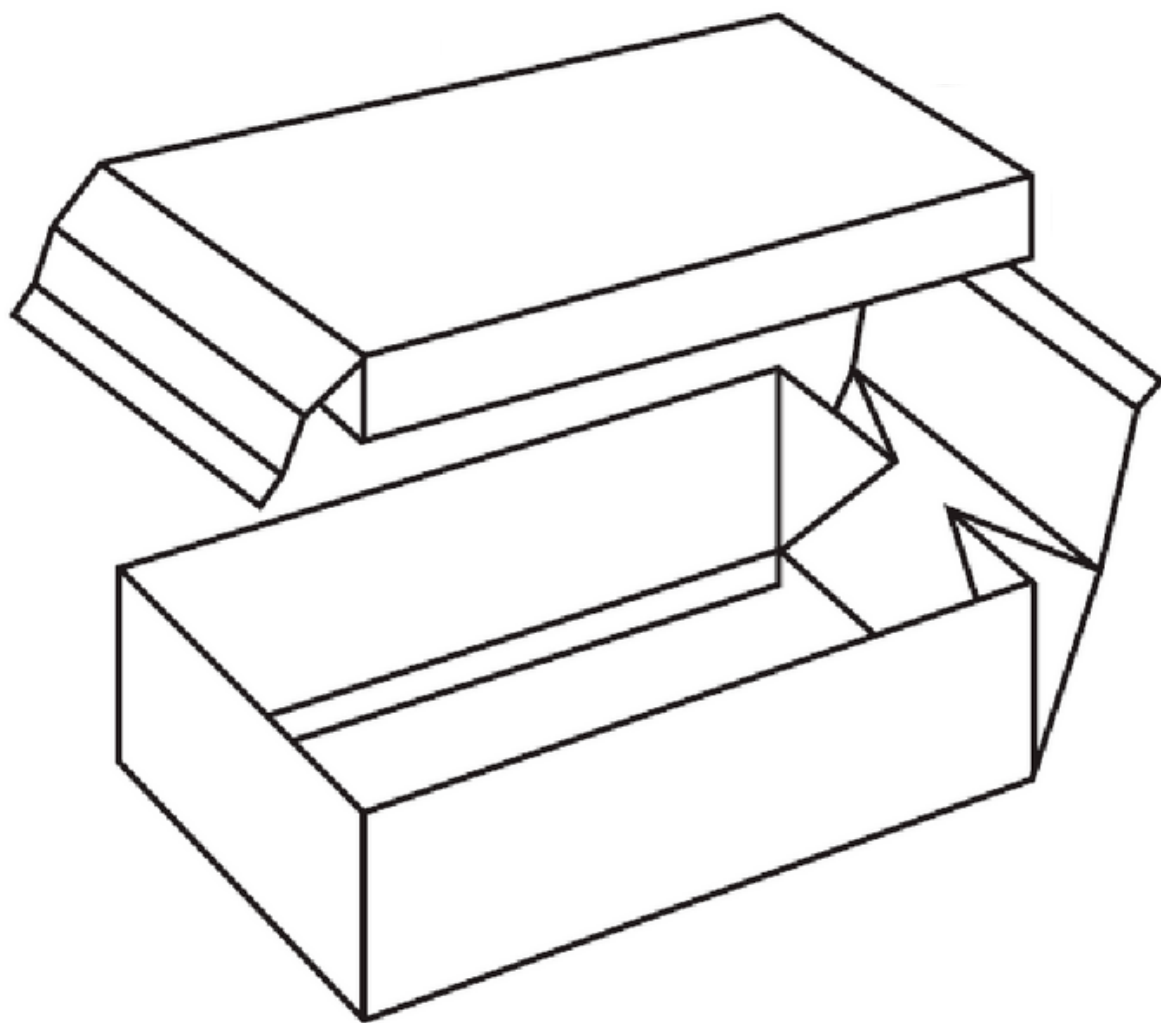
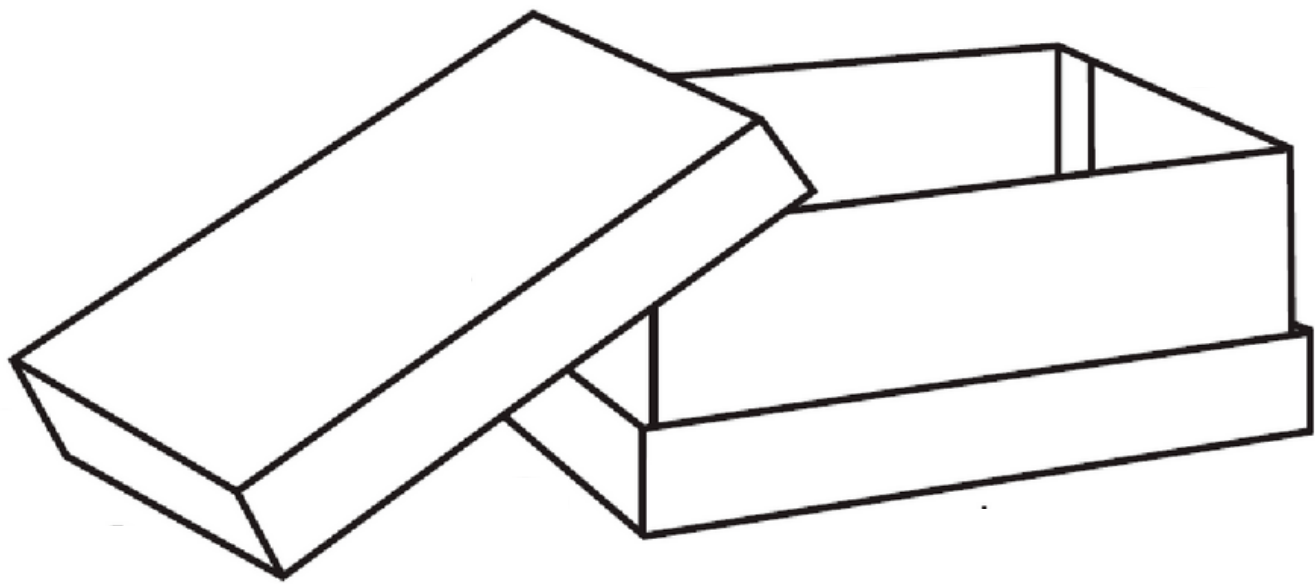






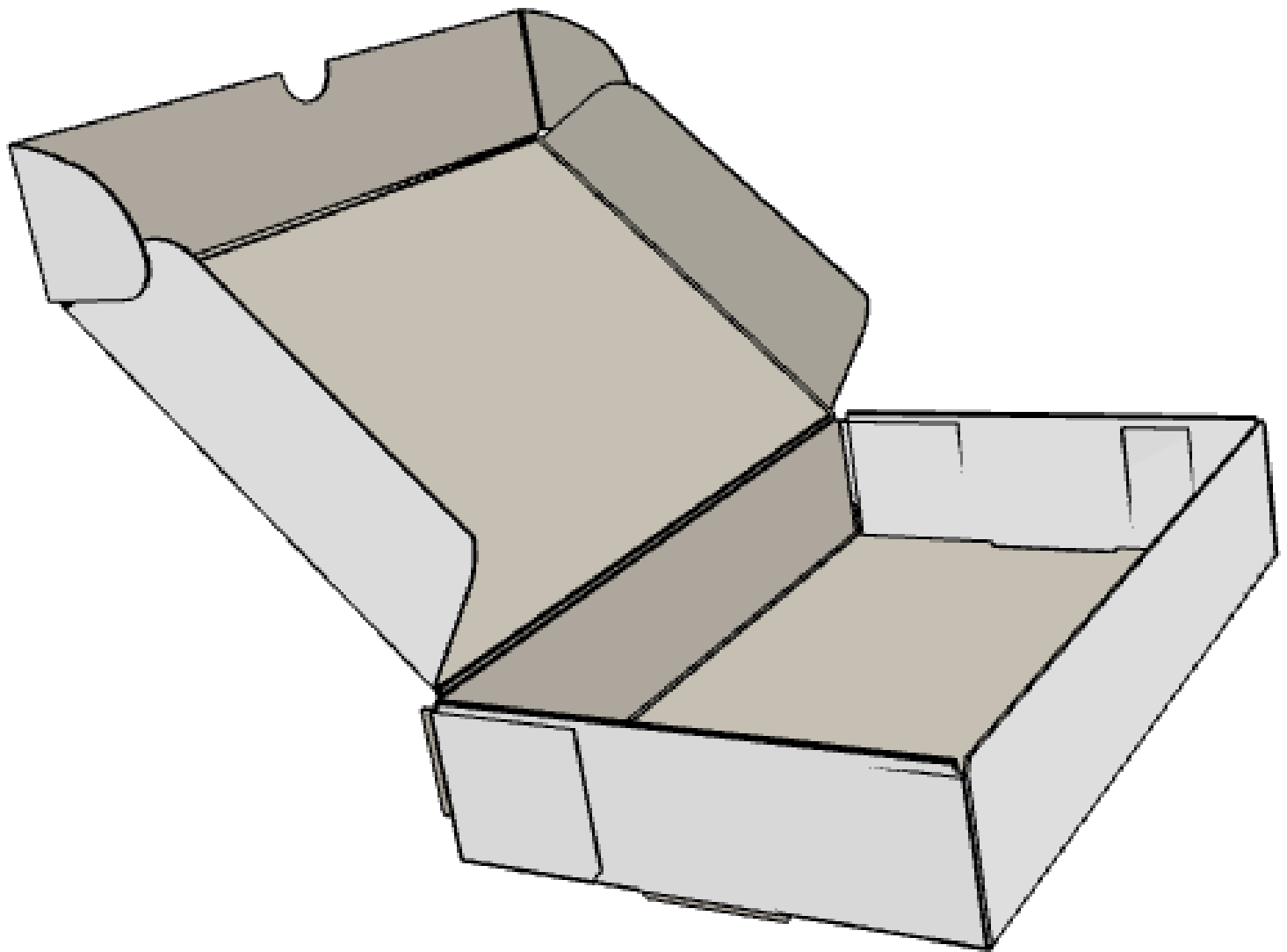




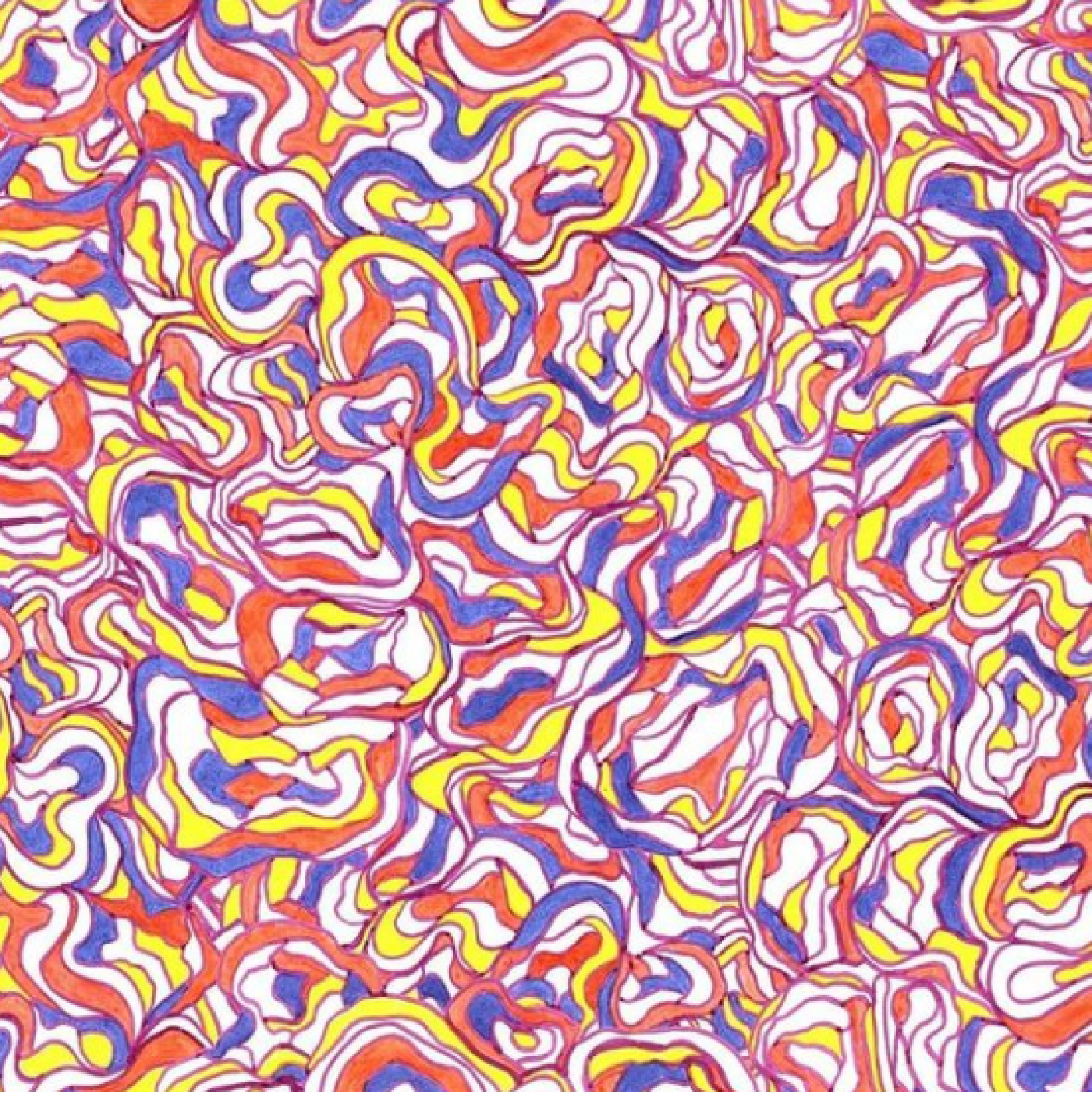


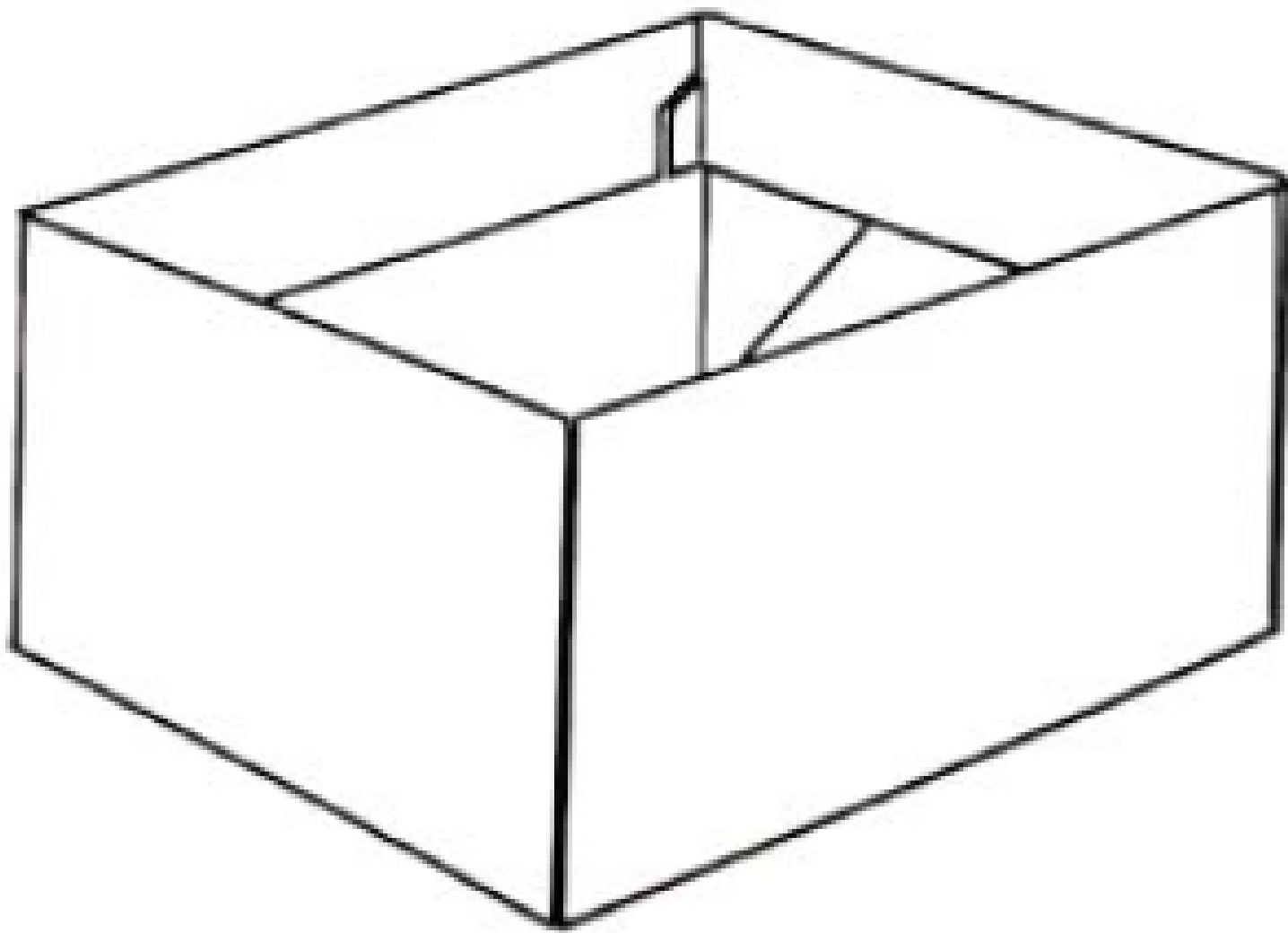








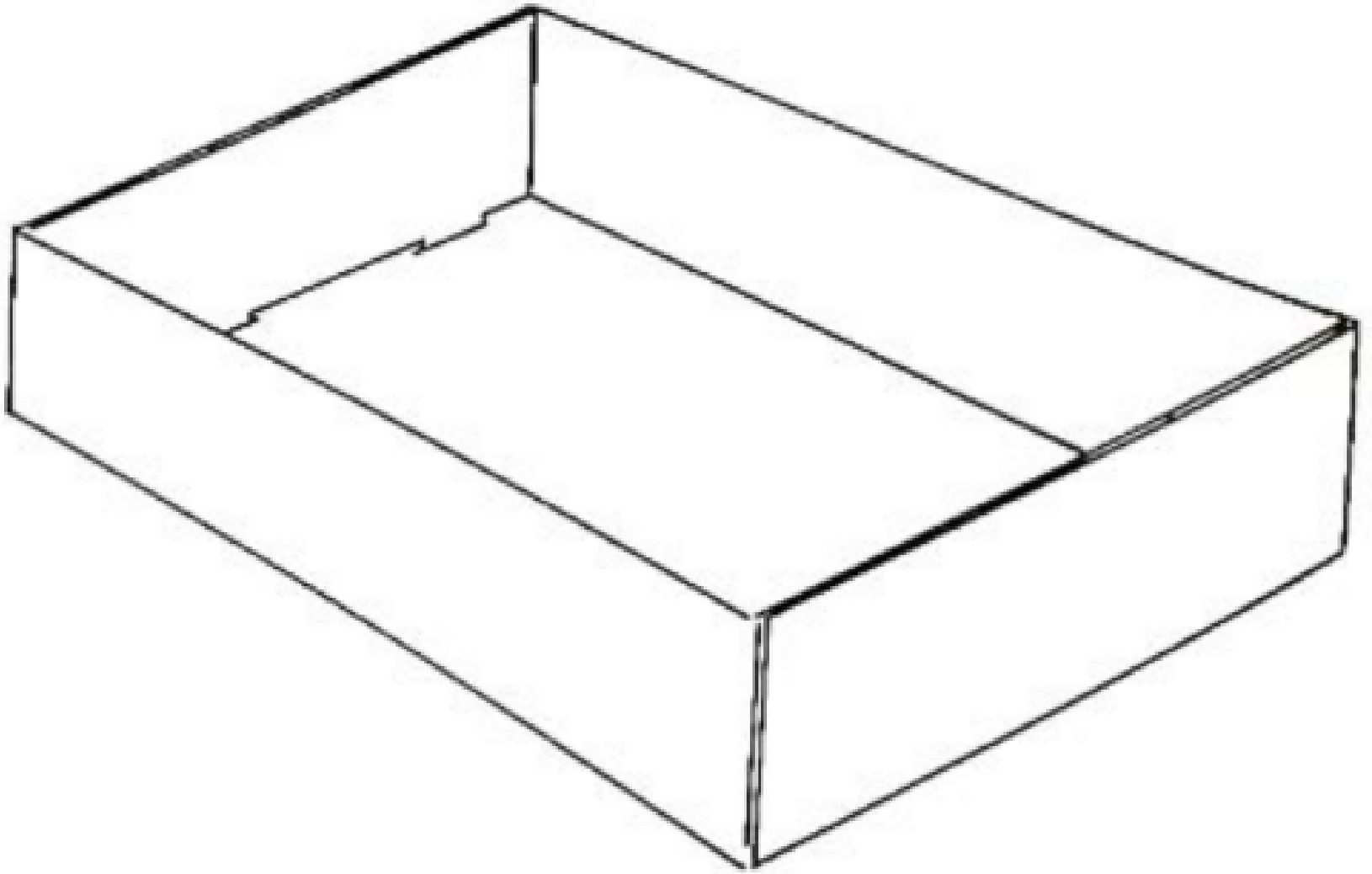




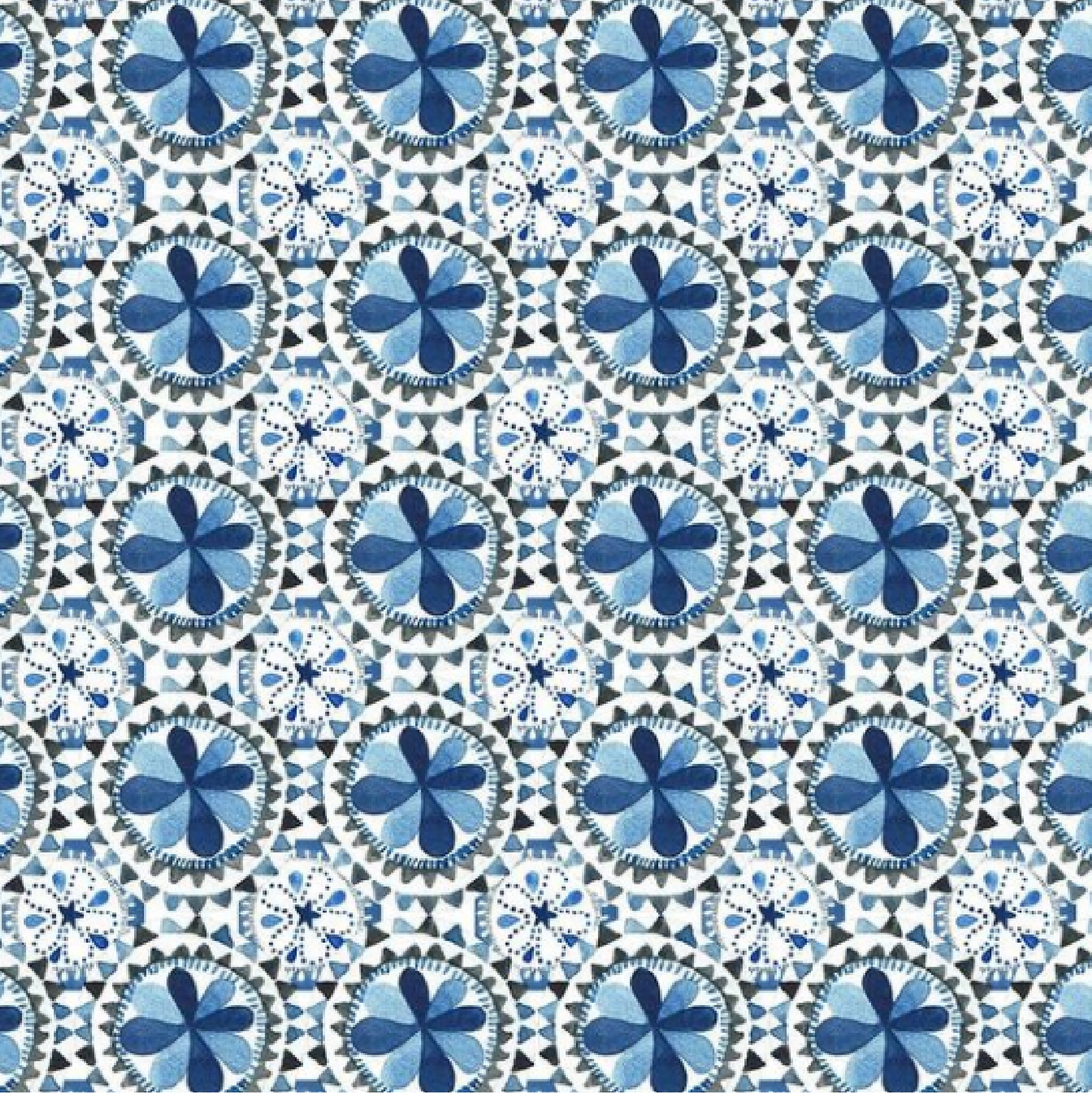


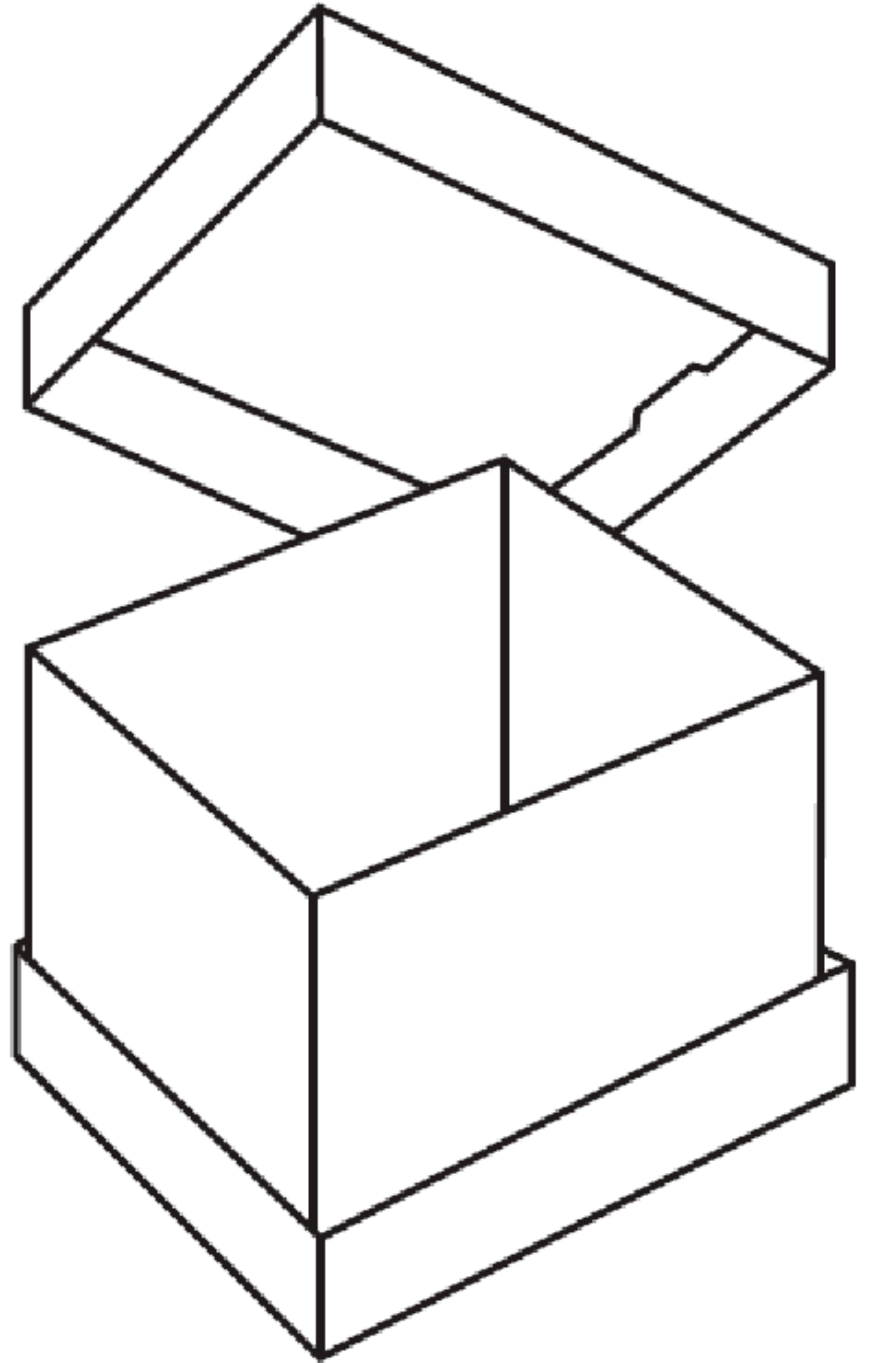
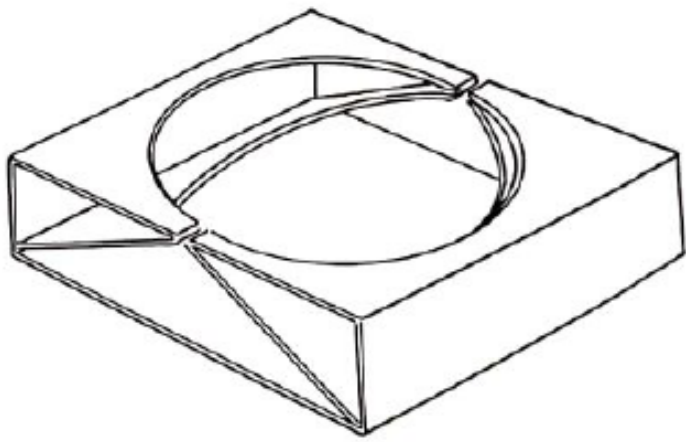




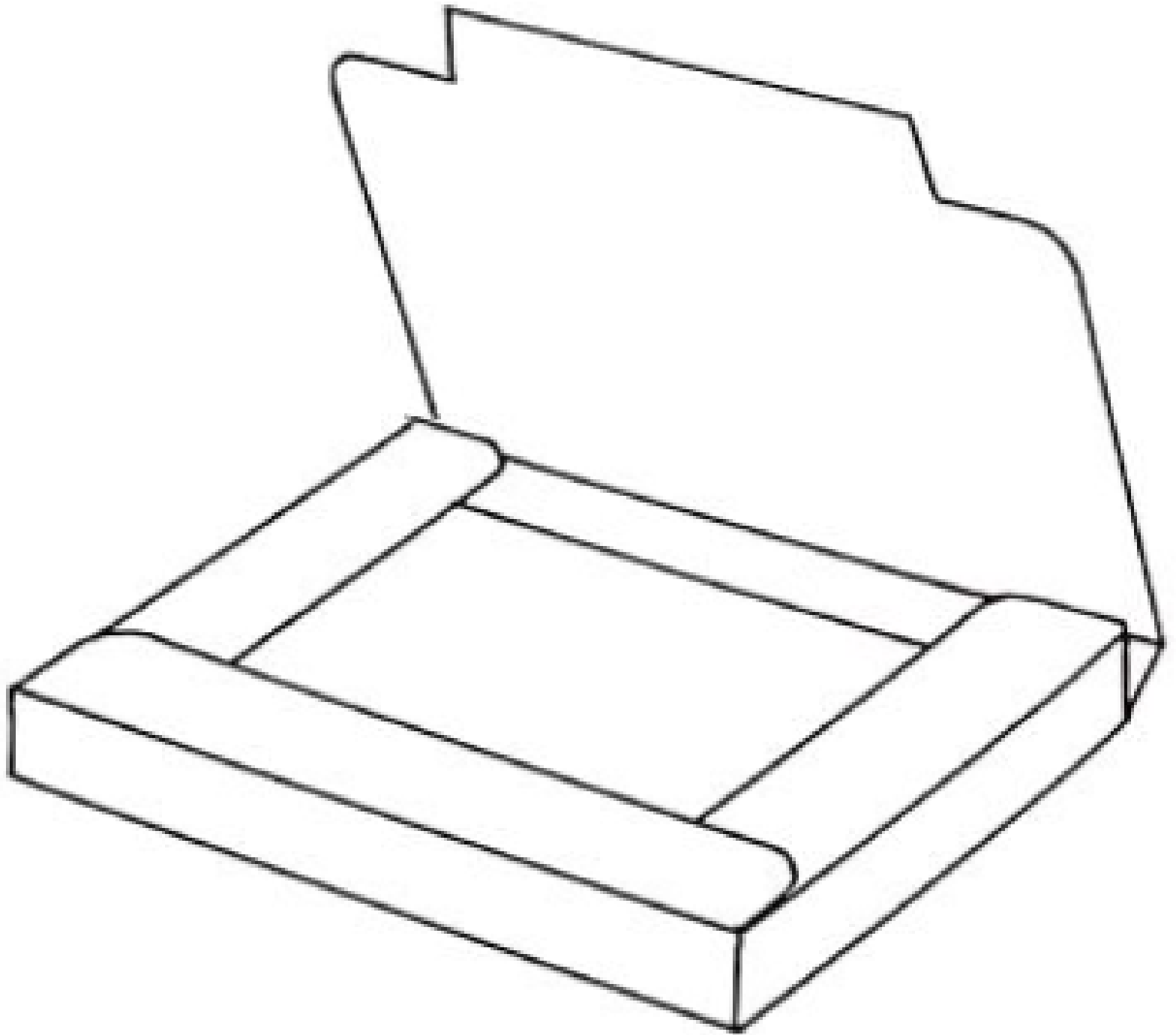




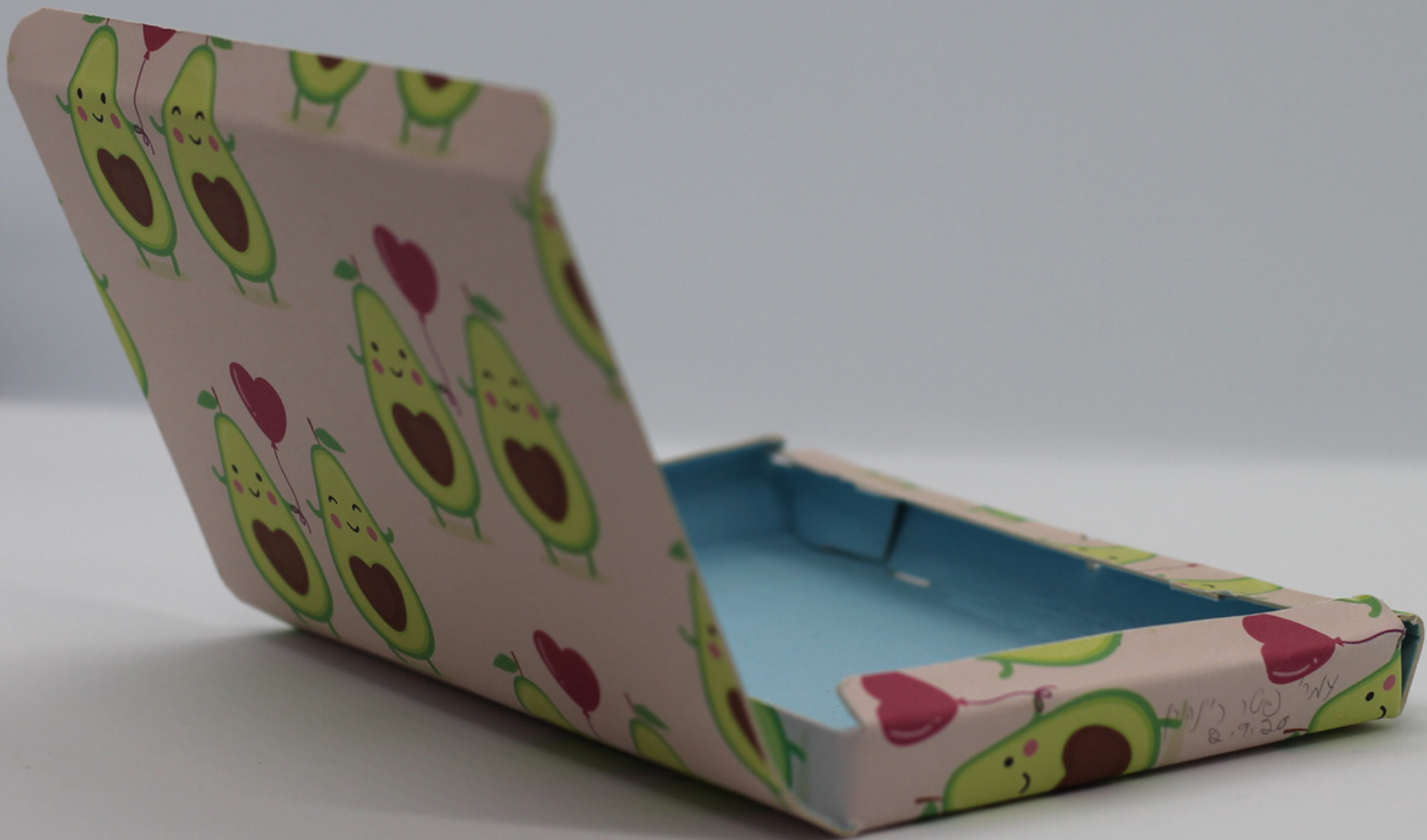




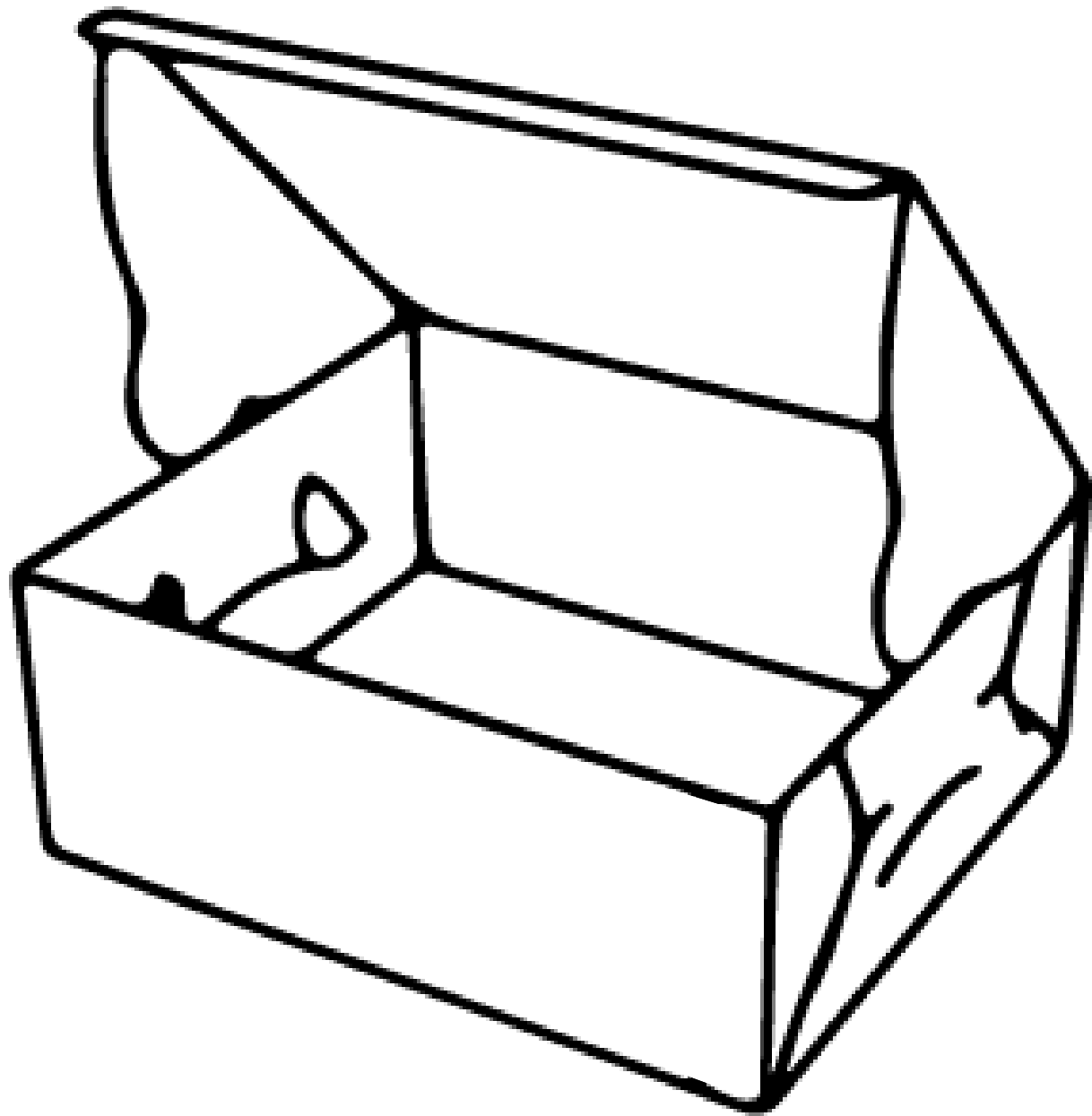






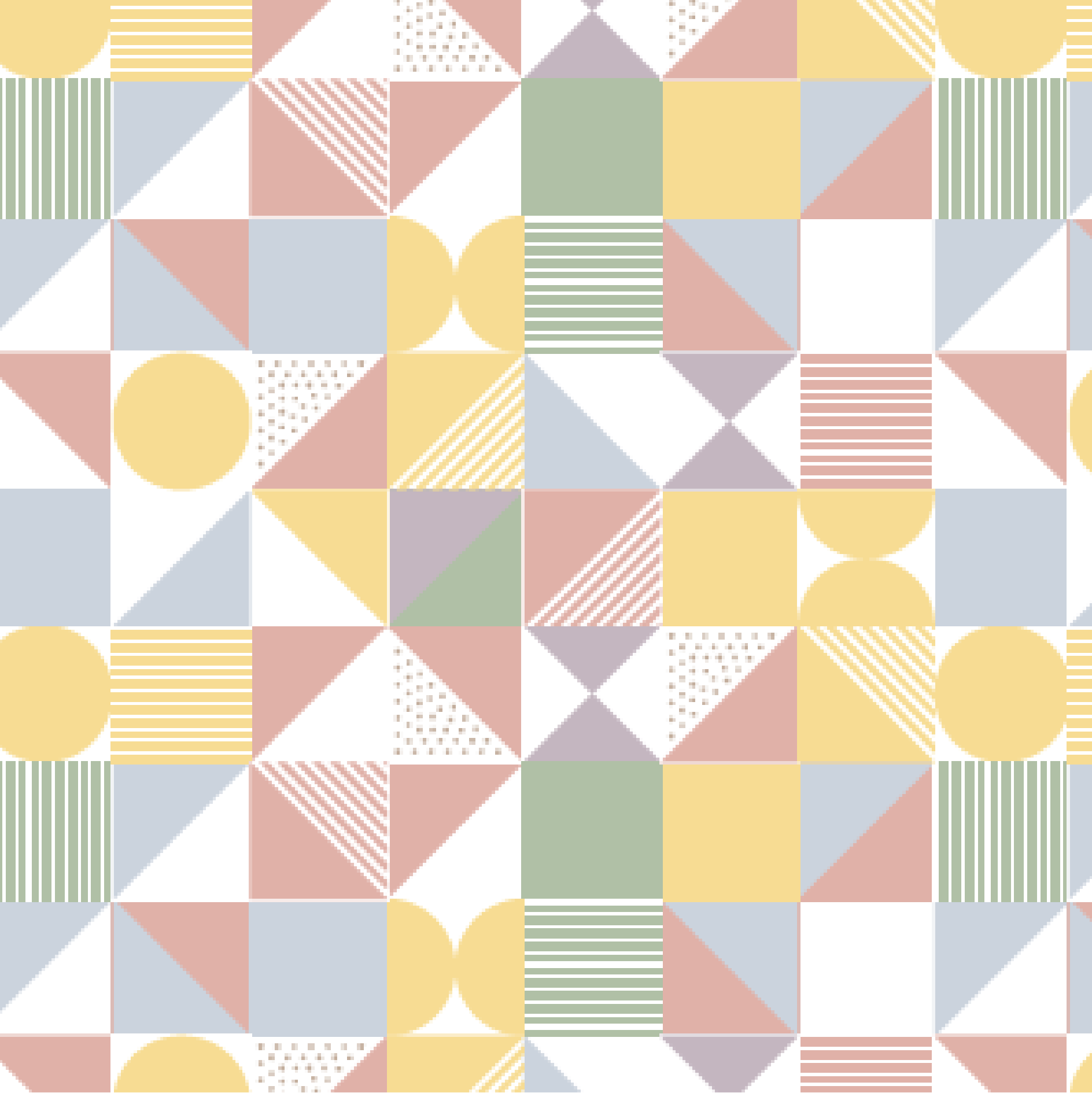


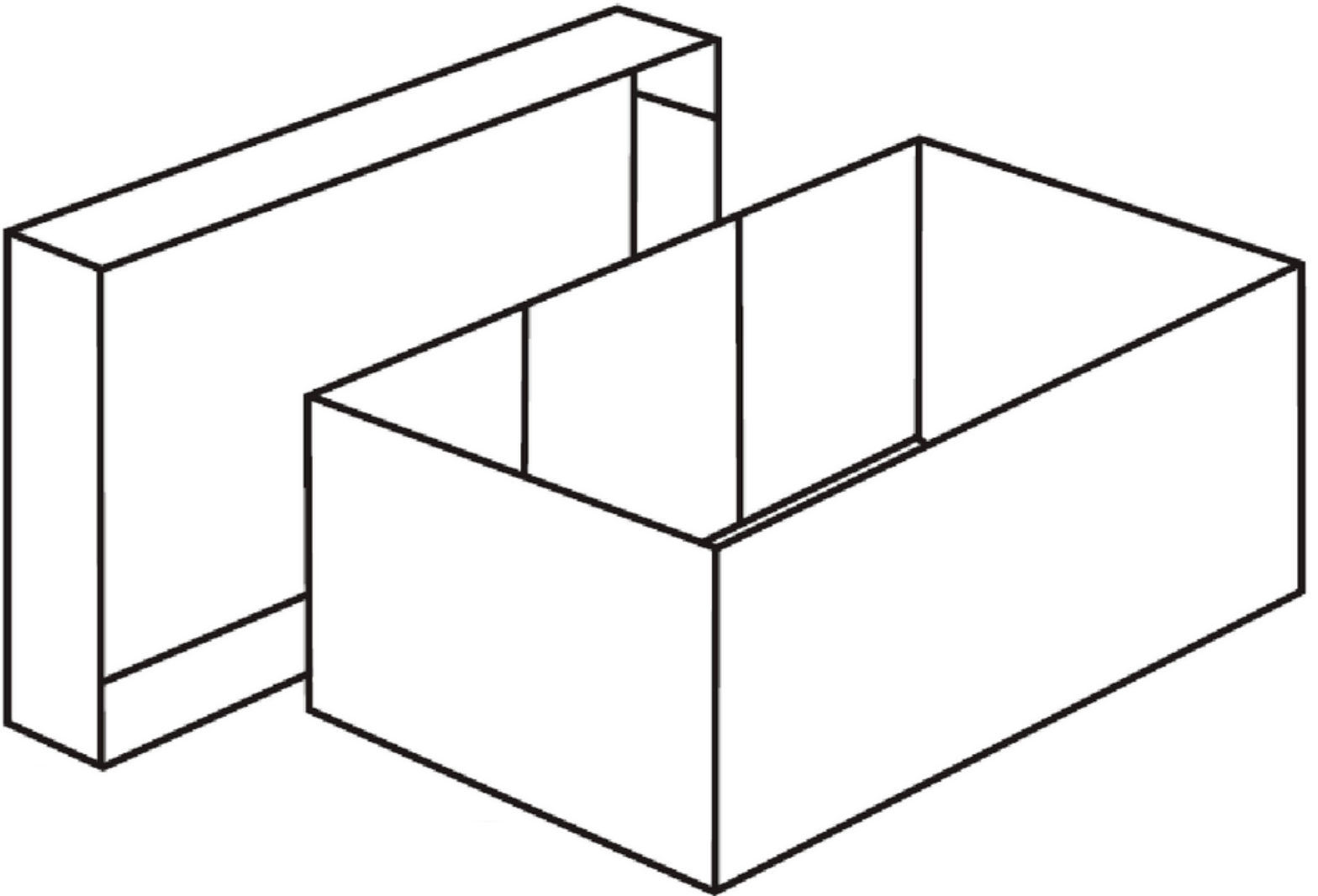










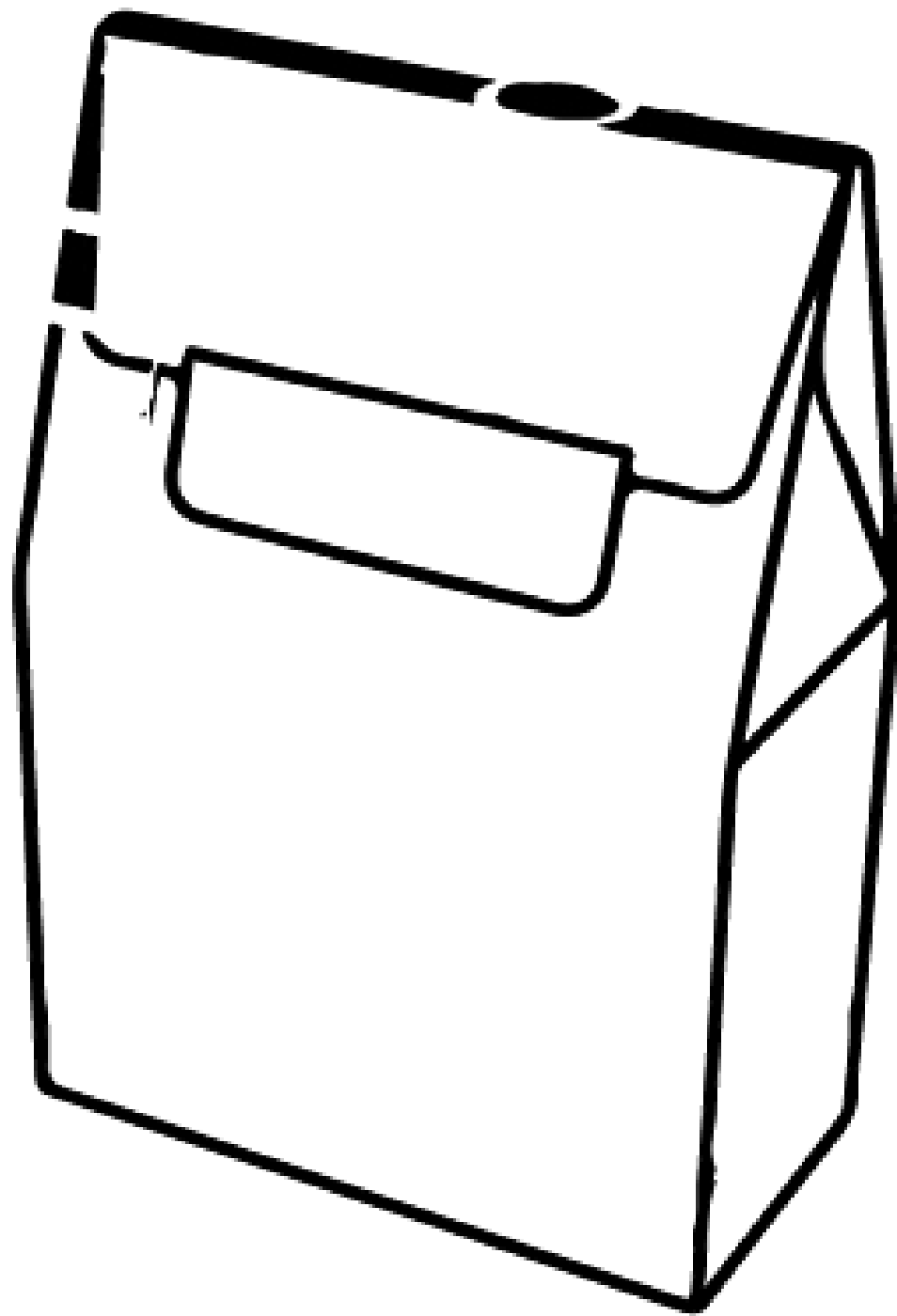















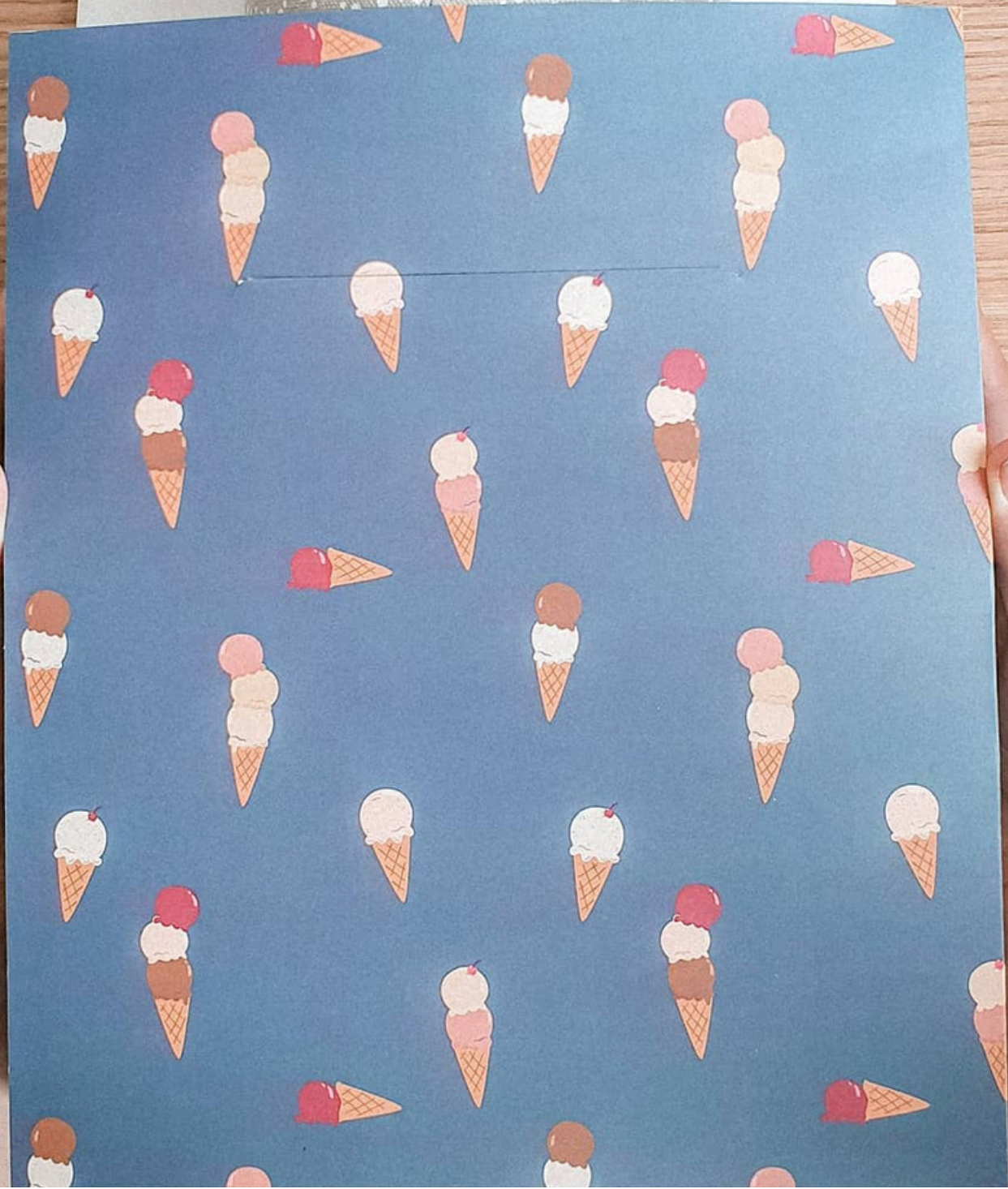
Adva
HAIR & MAKEUP

054-3082345

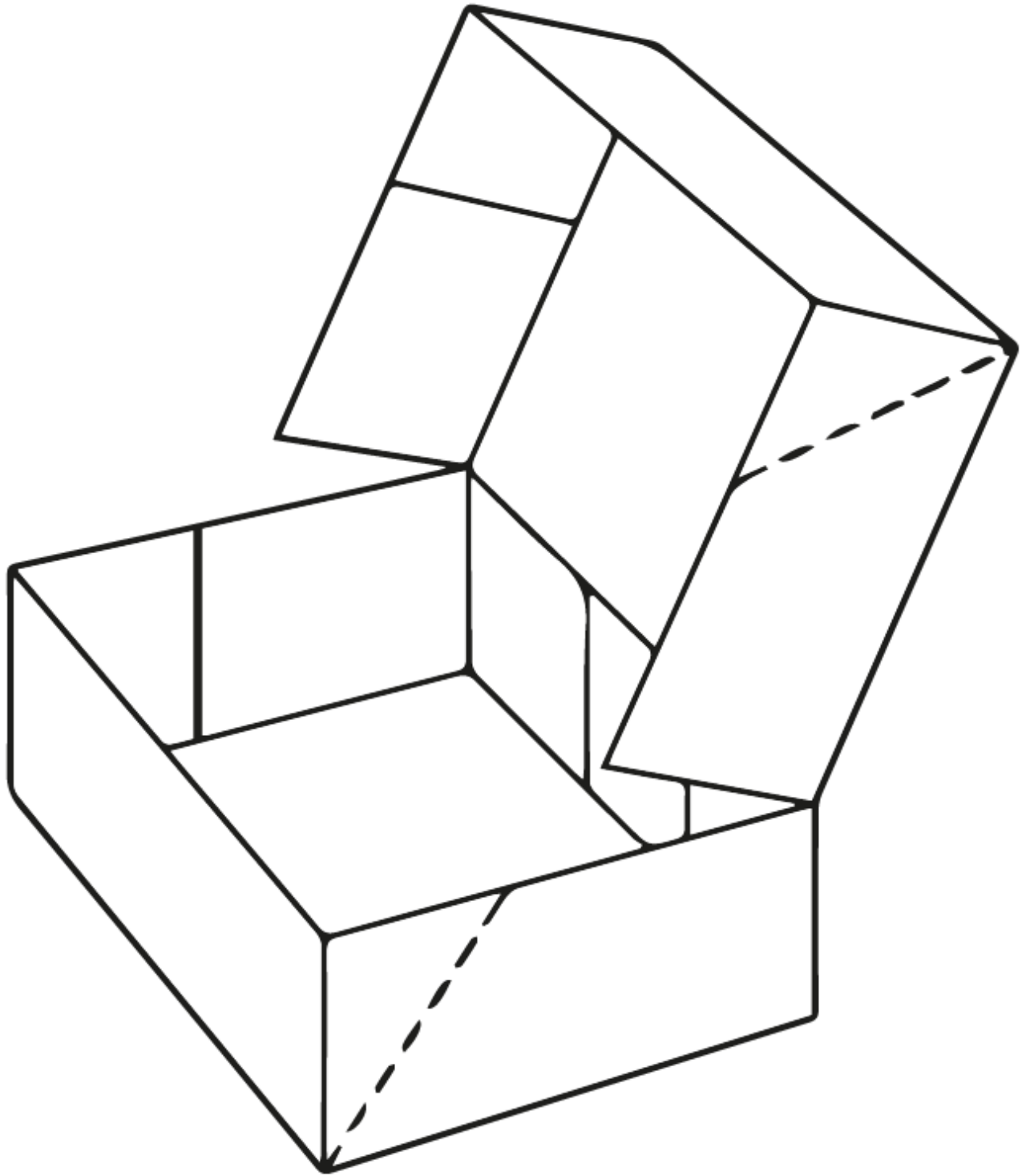
A white envelope with a marbled pattern in shades of blue and green. The envelope is partially open, showing the flap. The text "FROM ME TO YOU" is printed in a bold, black, sans-serif font on the front of the envelope. The background is a plain, light gray.

**FROM
ME TO
YOU**

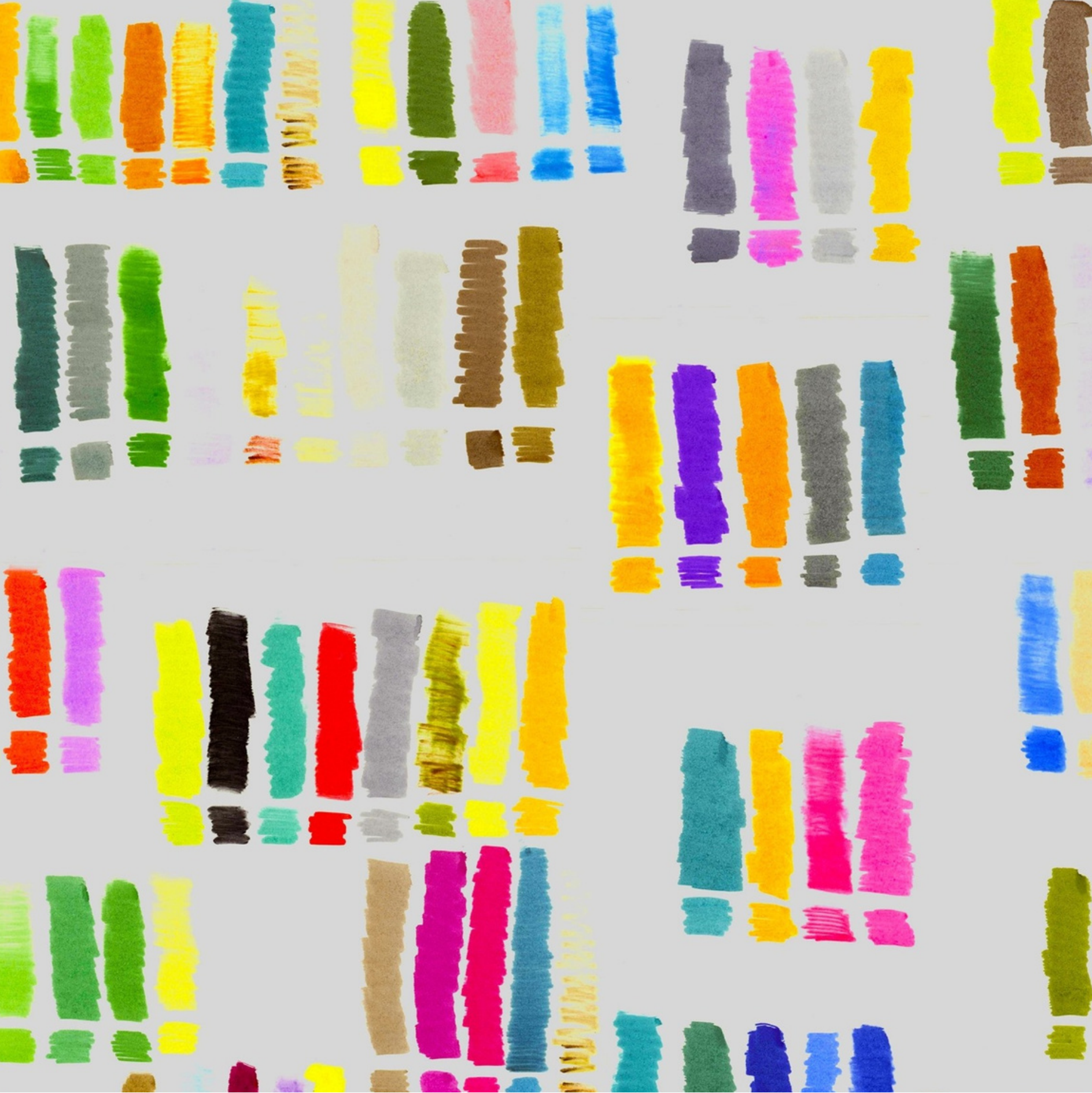




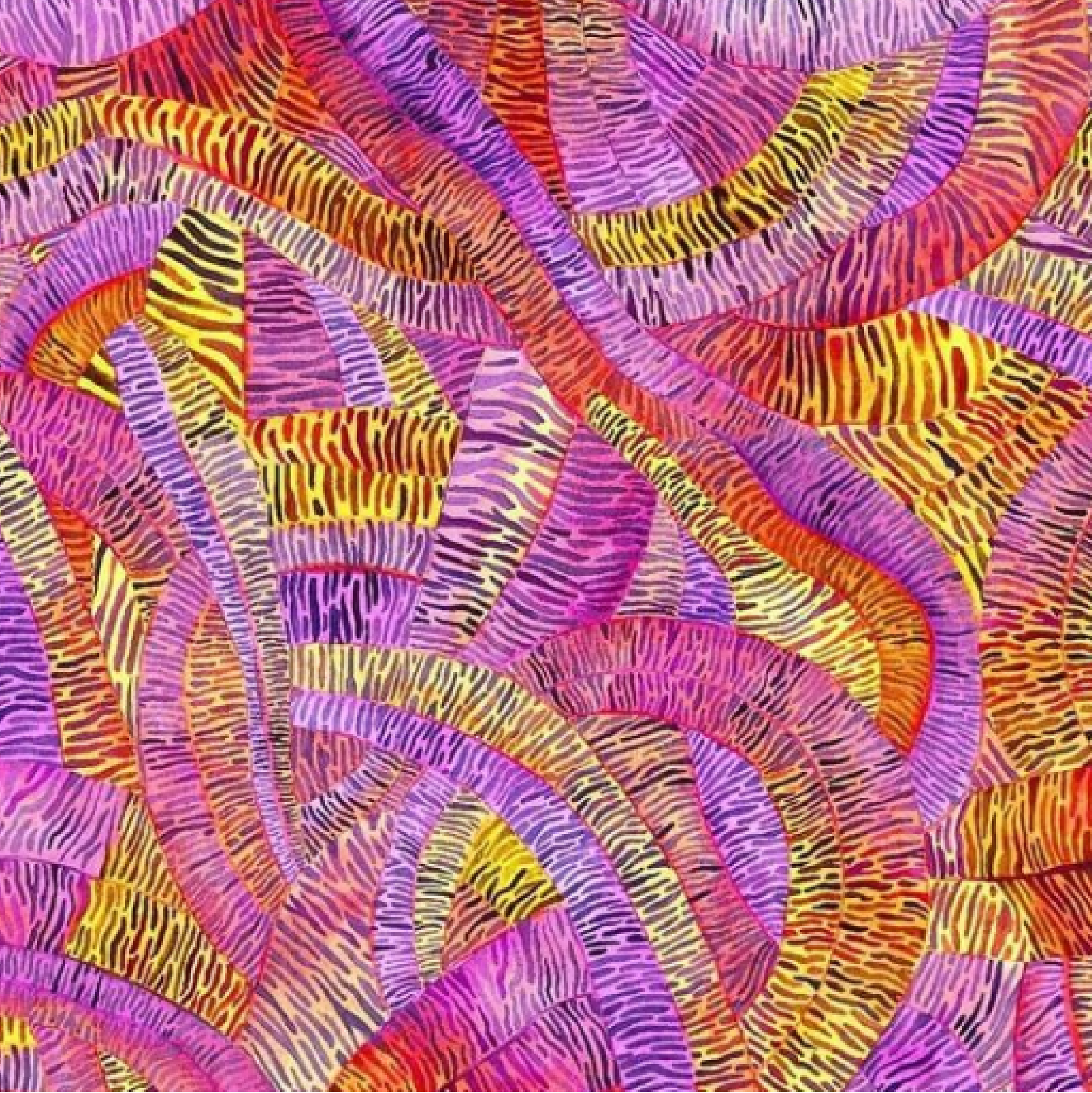




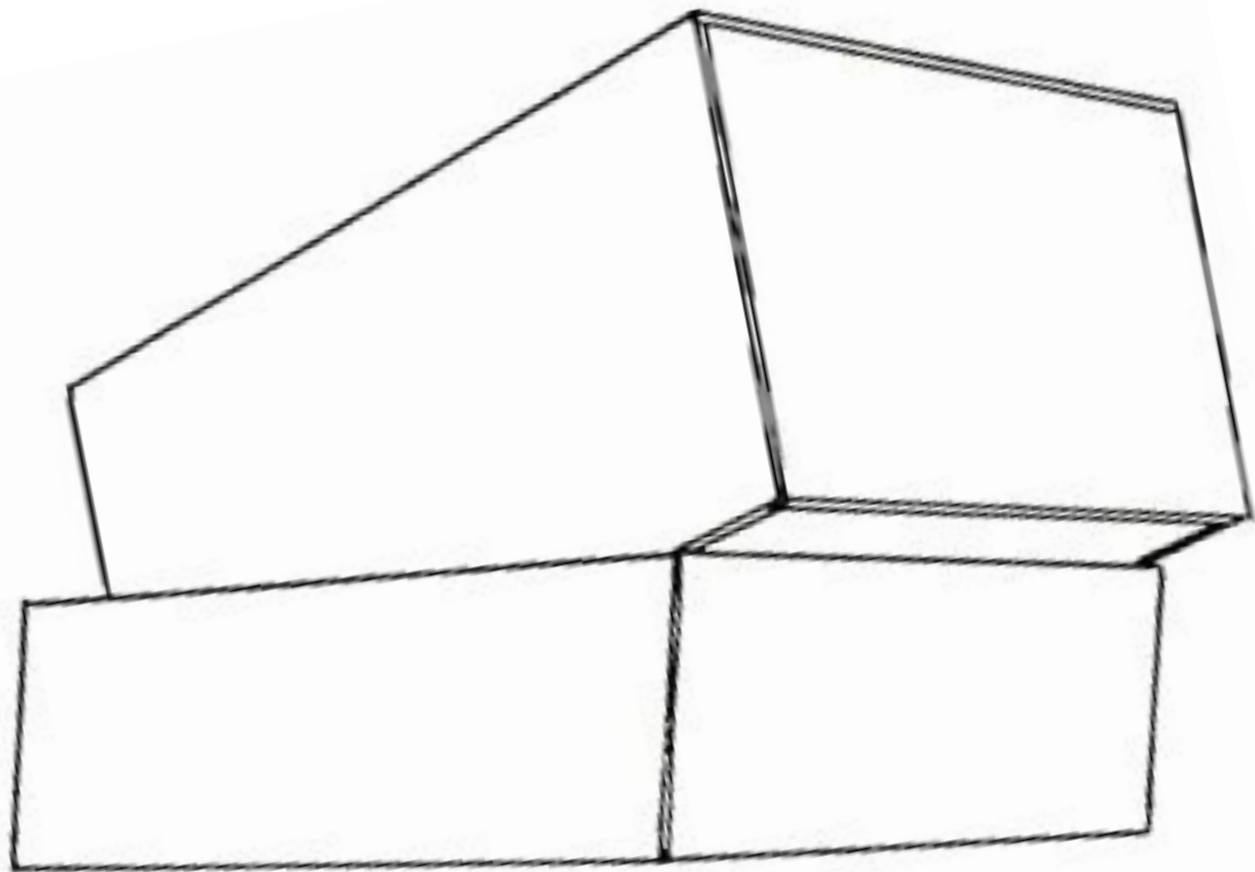




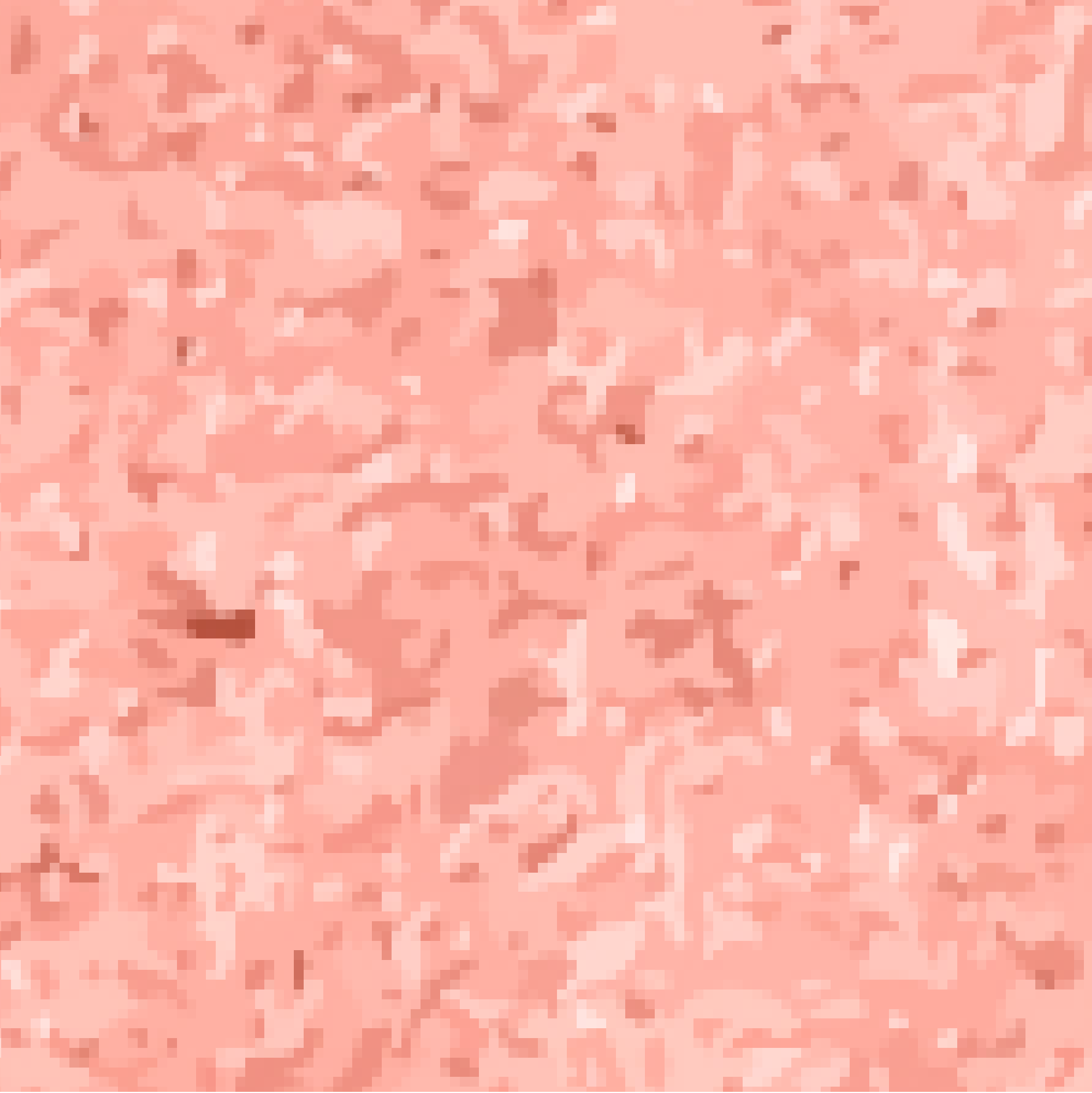


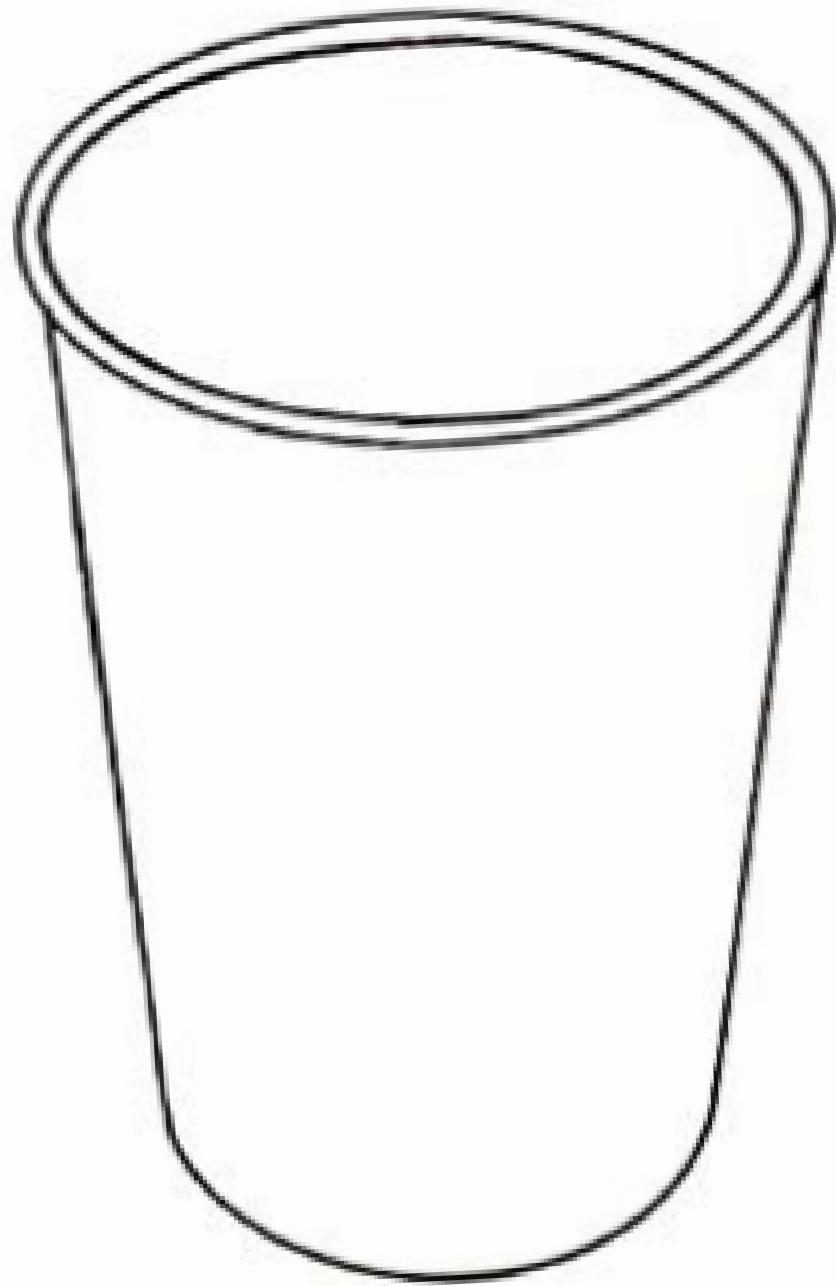


















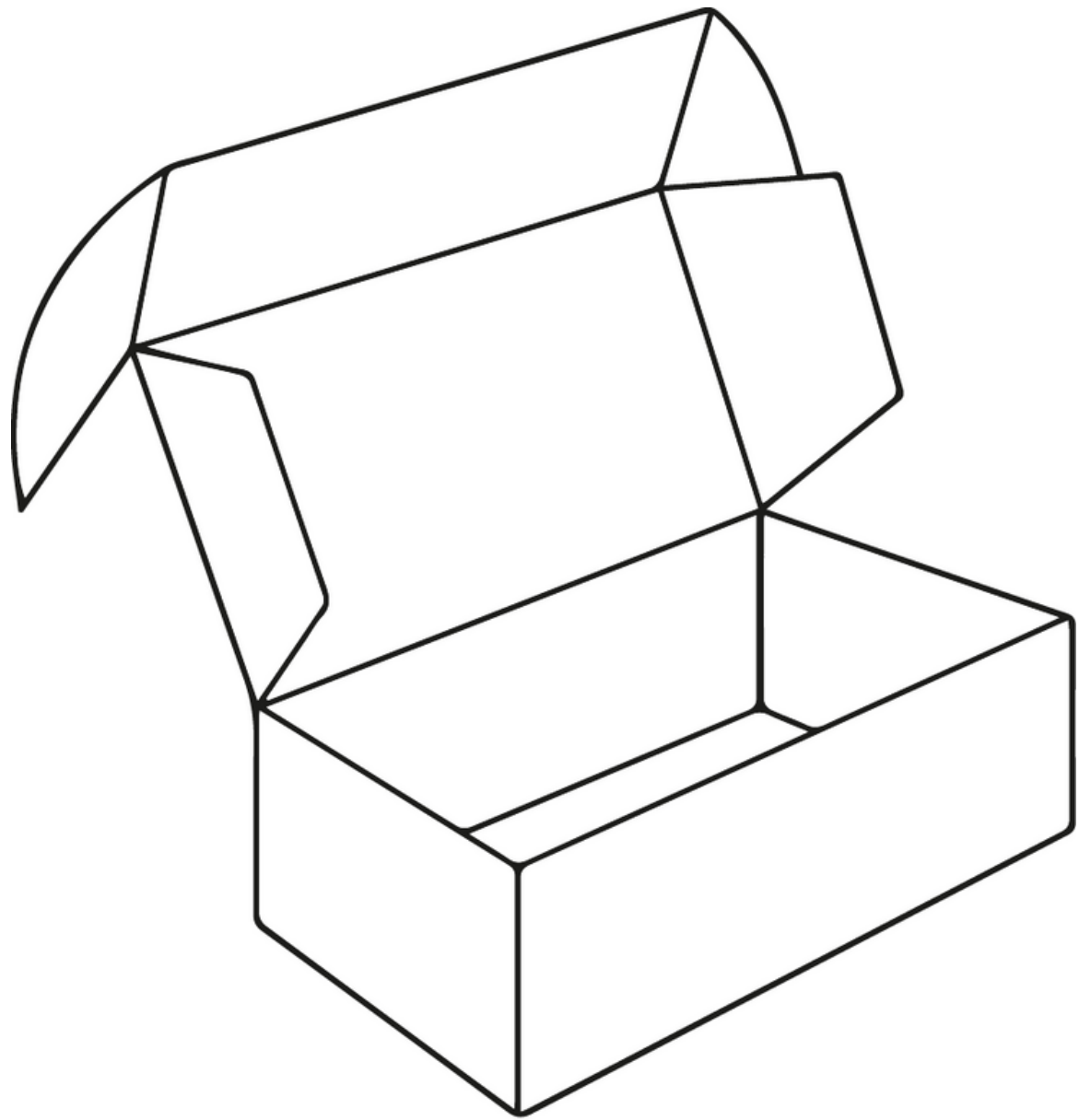












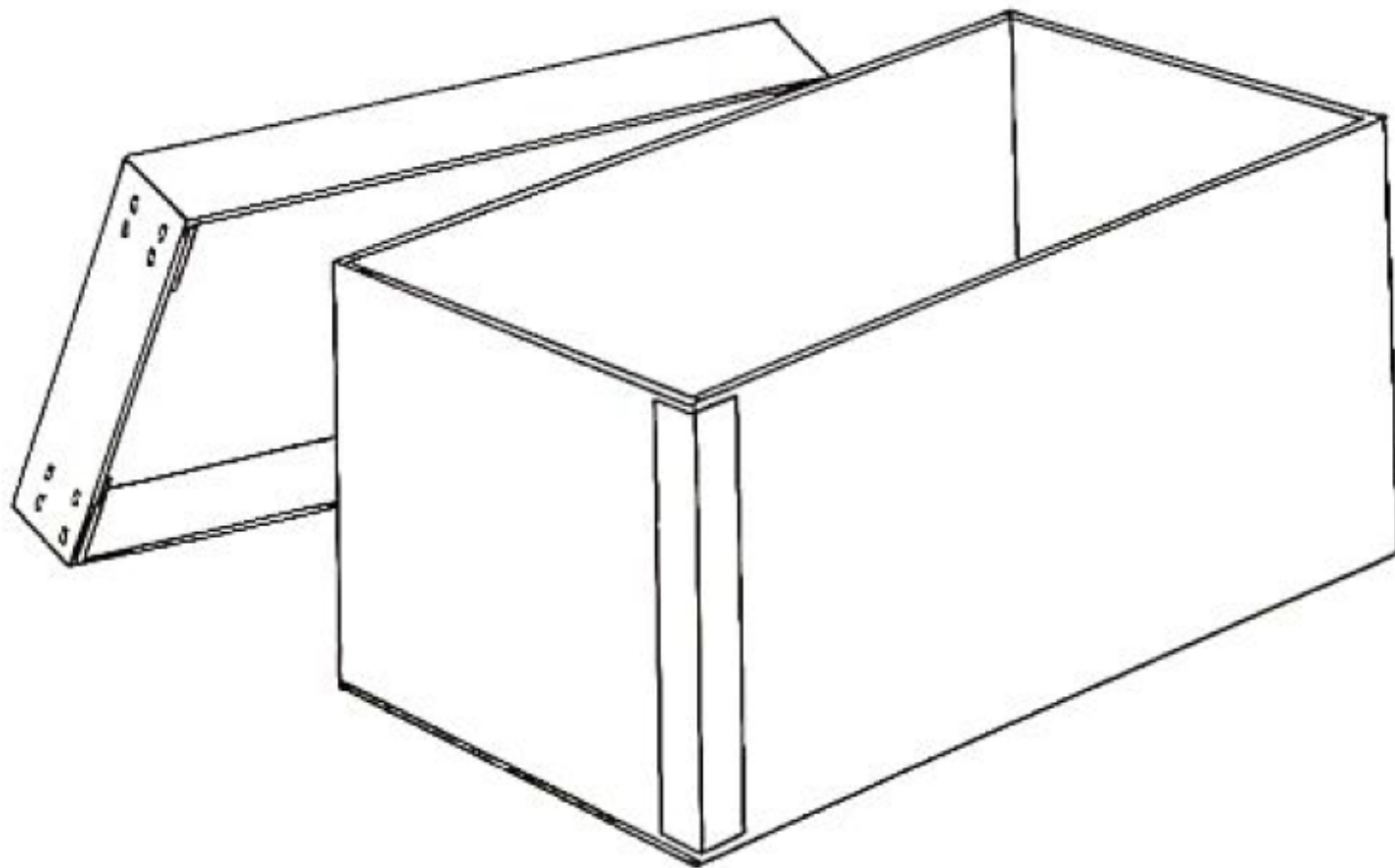
BLACK
BOYS XS/4
PYJAMA SET

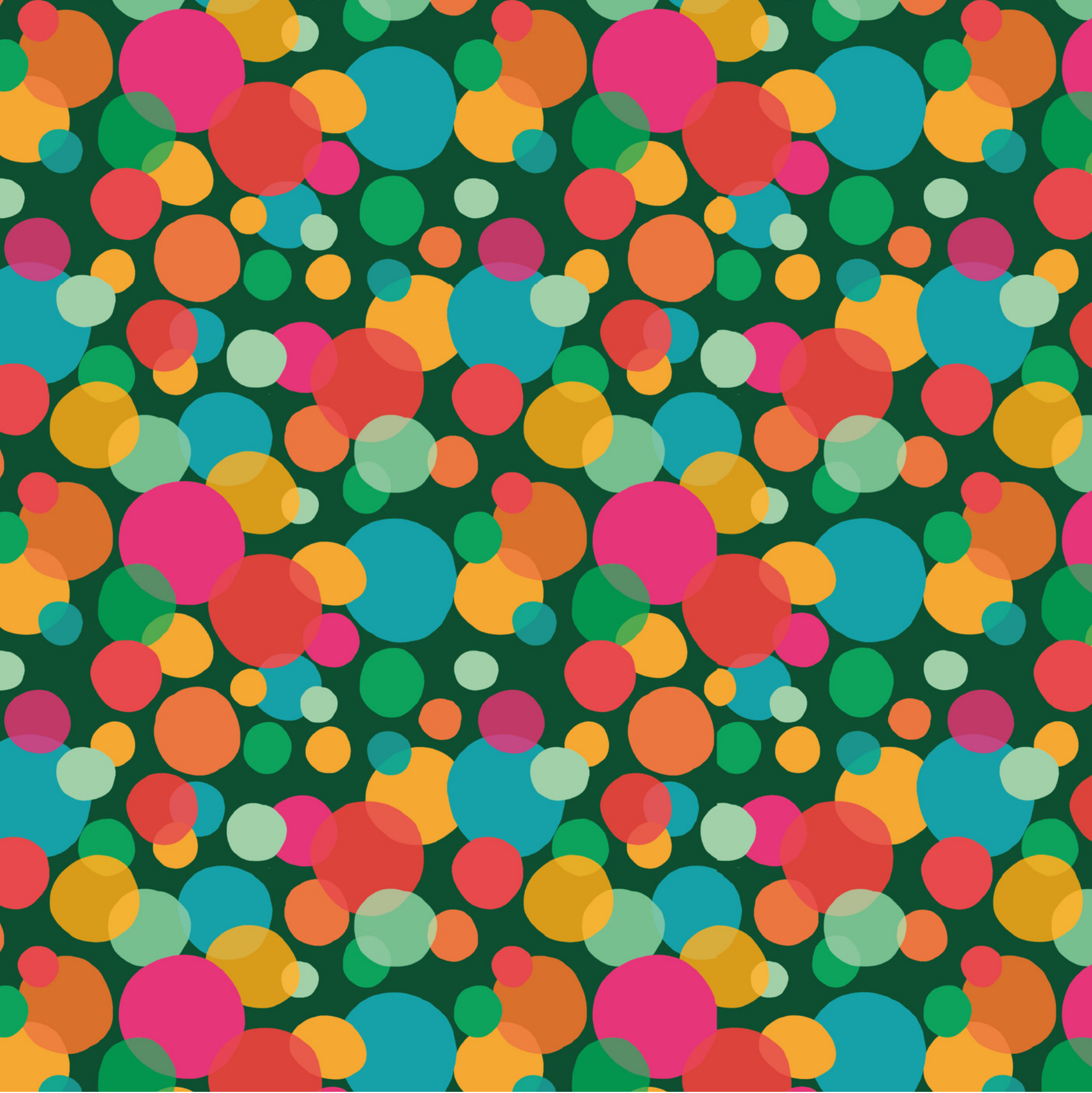






FRESH
GUACAMOLE
AVOCADO SALAD







HAND MADE IN ISRAEL
HAND KNITTED GOODS
100% PURE WOOL

