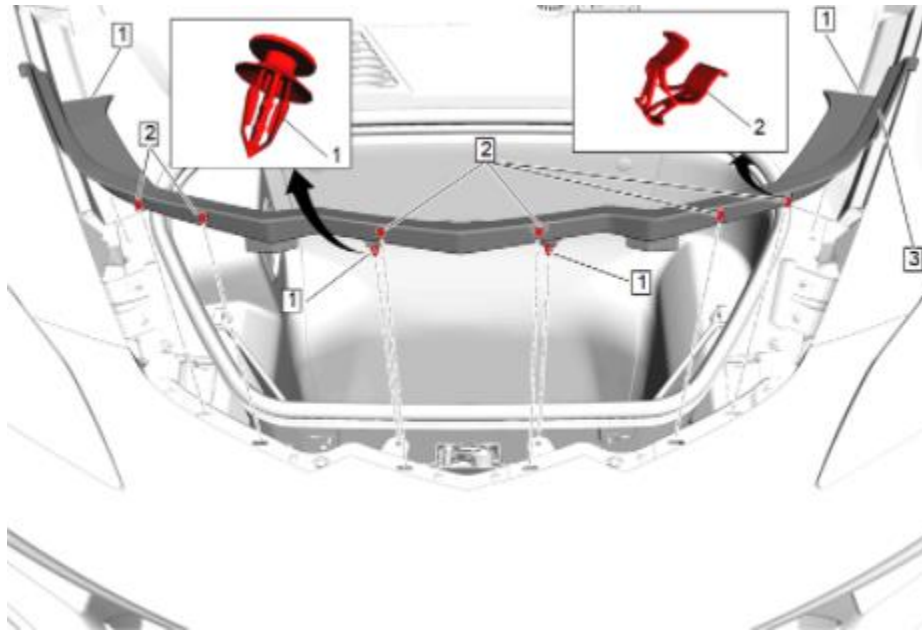
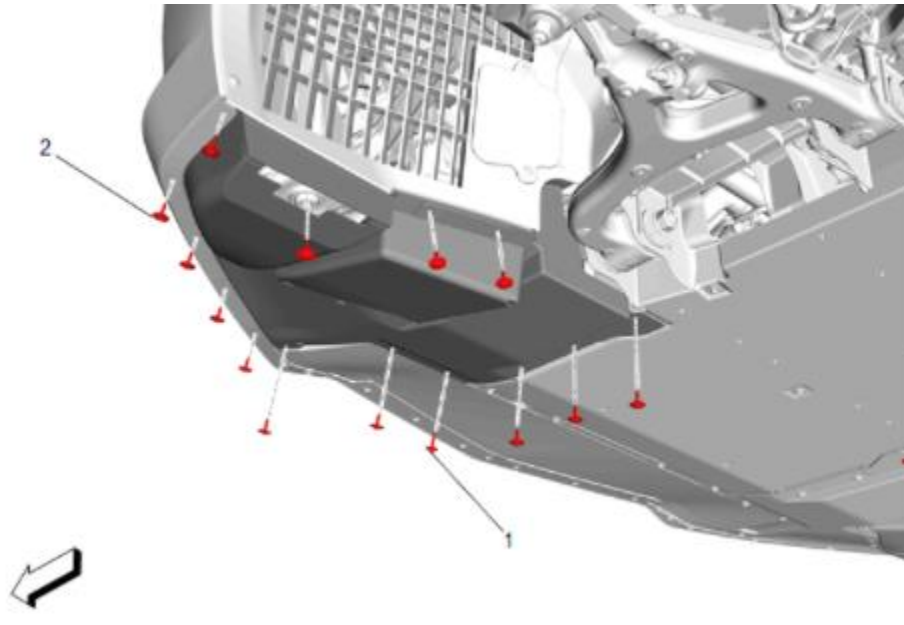


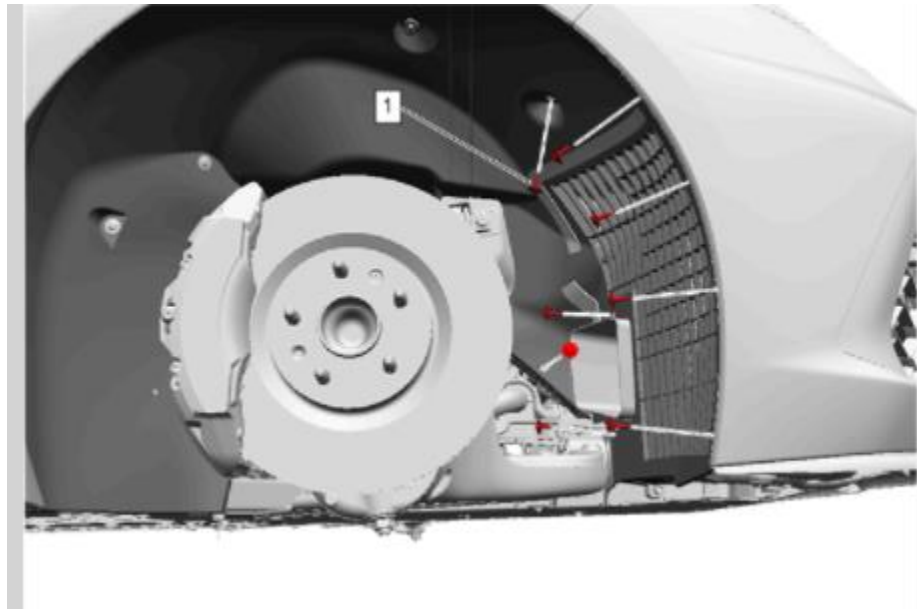
C8 Brake Duct Installation Guide



1. Remove Front Compartment Front Sight Shield (2) »



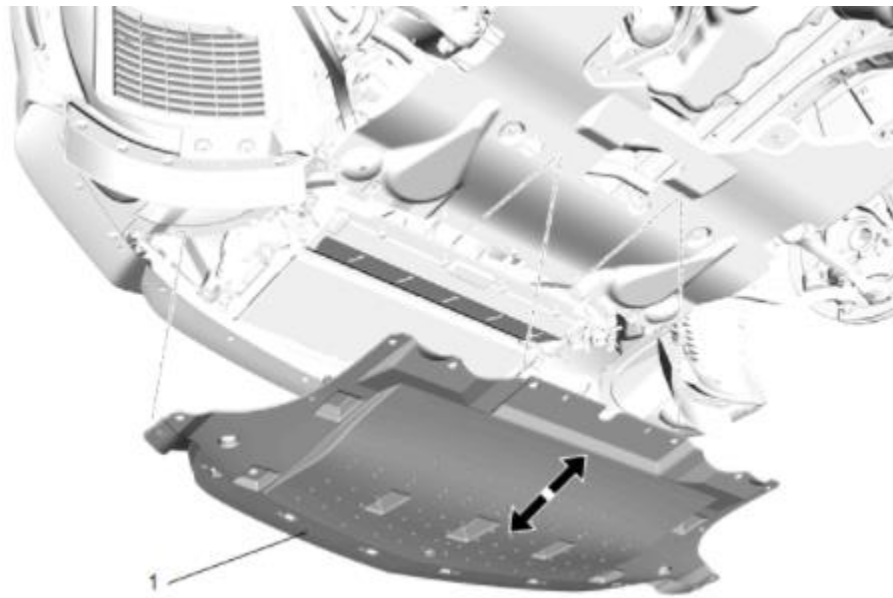
2. Remove Front Tire Front Air Deflector »



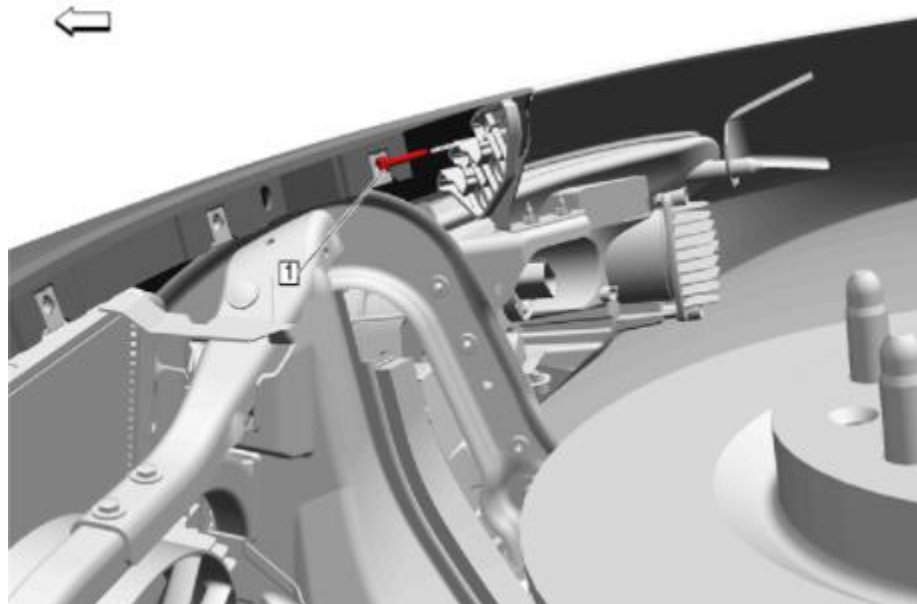
3. Remove the 8 front wheelhouse liner bolts (1) from left side front wheelhouse liner to access the front bumper fascia bolts.

4. Remove the 8 front wheelhouse liner bolts (1) from right side front wheelhouse liner to access the front bumper fascia bolts.

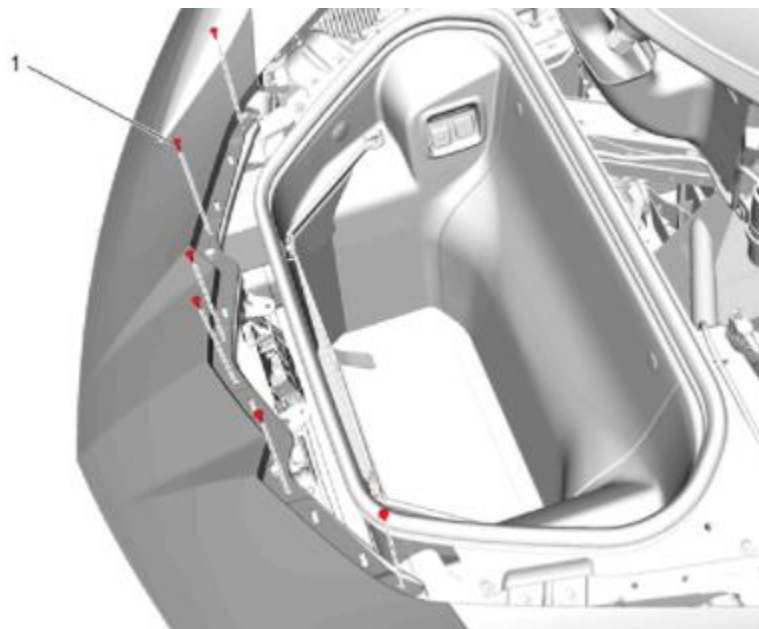
- 5.



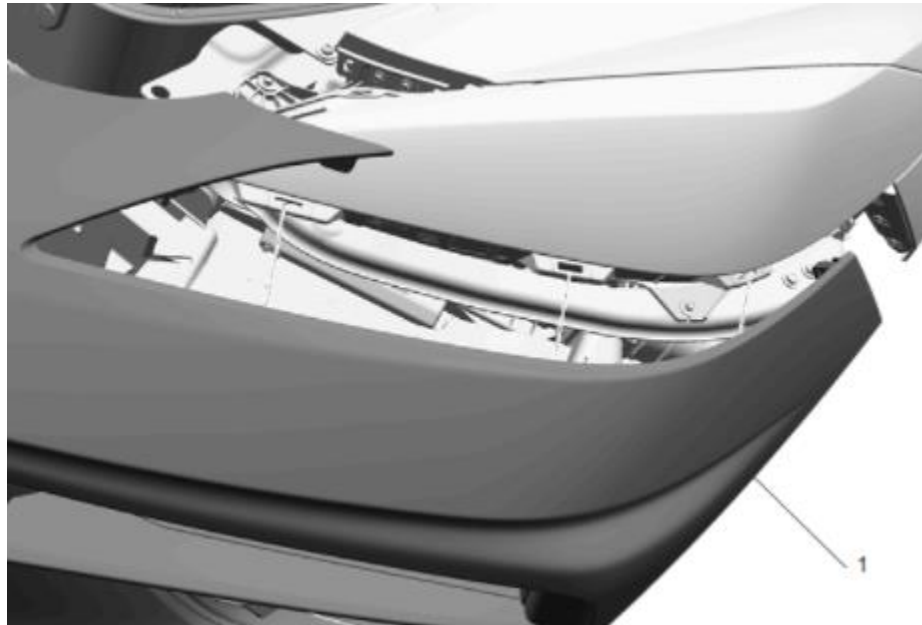
Remove Front Bumper Fascia Lower Stiffener (1)



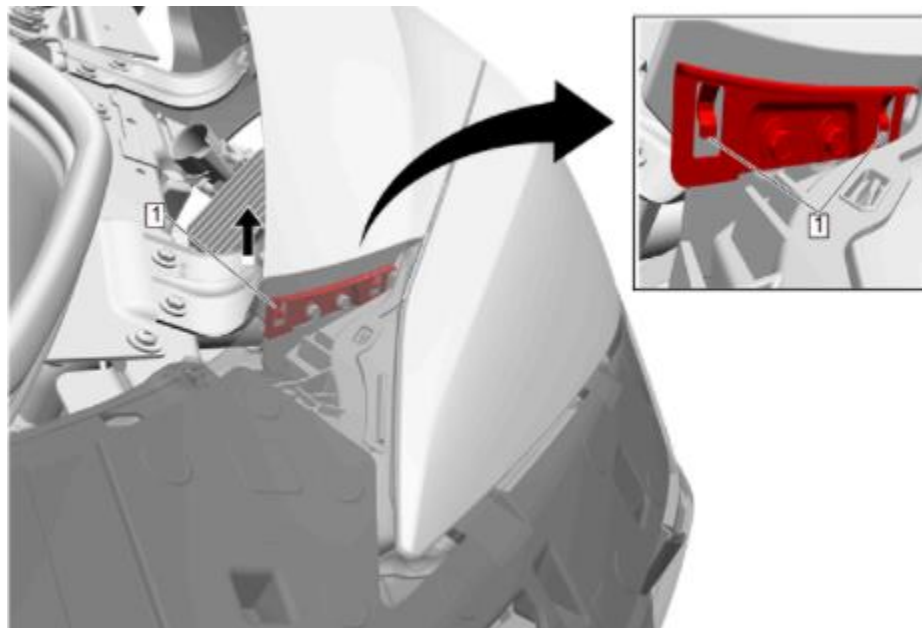
6. Remove the front bumper fascia bolt (1) from the left and right side.



7. Front Bumper Fascia Bolt » Remove [6x]

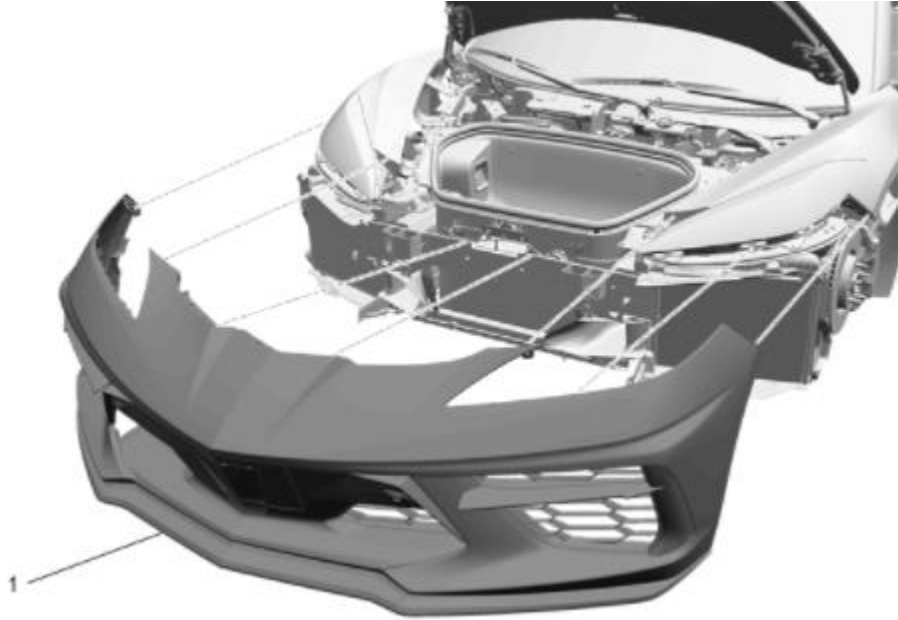


8. Carefully push a small nylon wedge between the fascia (1) and the fascia guide on both sides. Insert a small flat-bladed tool into the fascia slot and depress the snaps one at a time and pull on the fascia at the same time to gradually remove the fascia.

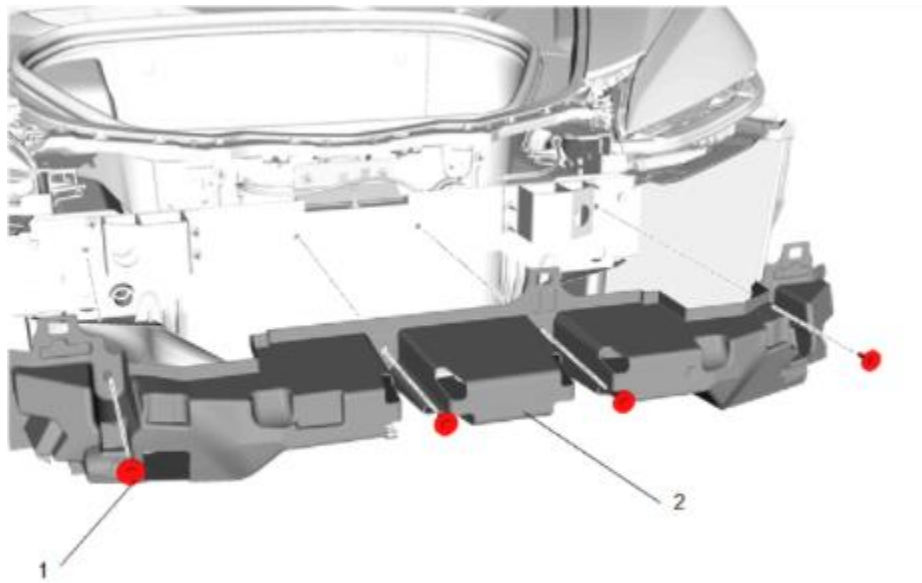


9. Release the tabs on the fascia (1) from the headlamp on both sides.

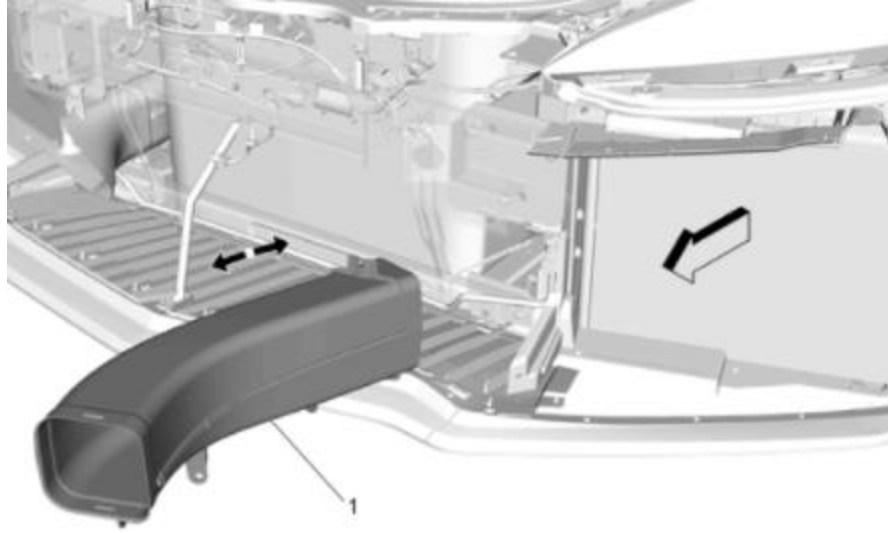
10. Release the 2 front bumper fascia guide inner retainer tabs (1) on the left and right side and pull the front bumper fascia up from the front bumper fascia guide inner.



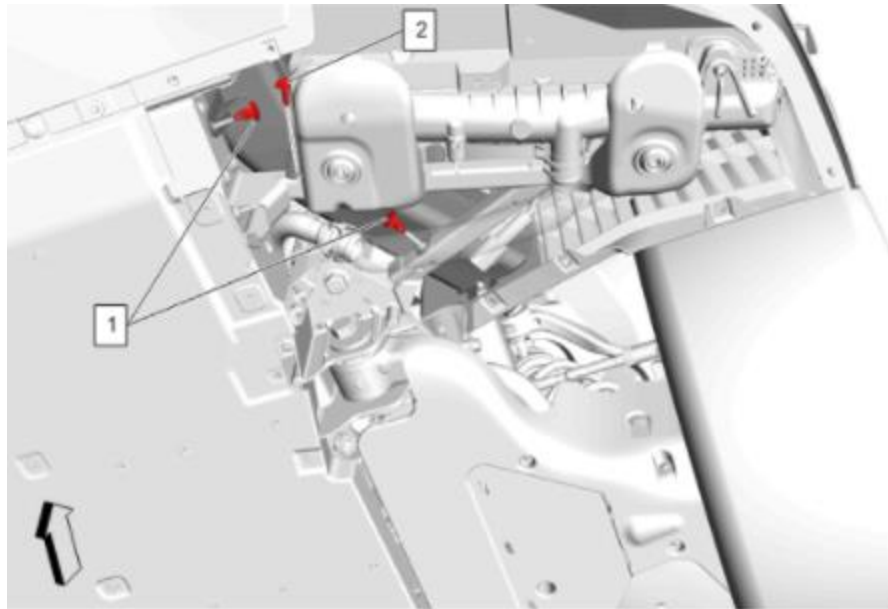
11. With the aid of an assistant, remove the fascia. (1)
12. Disconnect all electrical connectors.
- 13.



Remove Front Bumper Fascia Energy Absorber Bolt [4x]

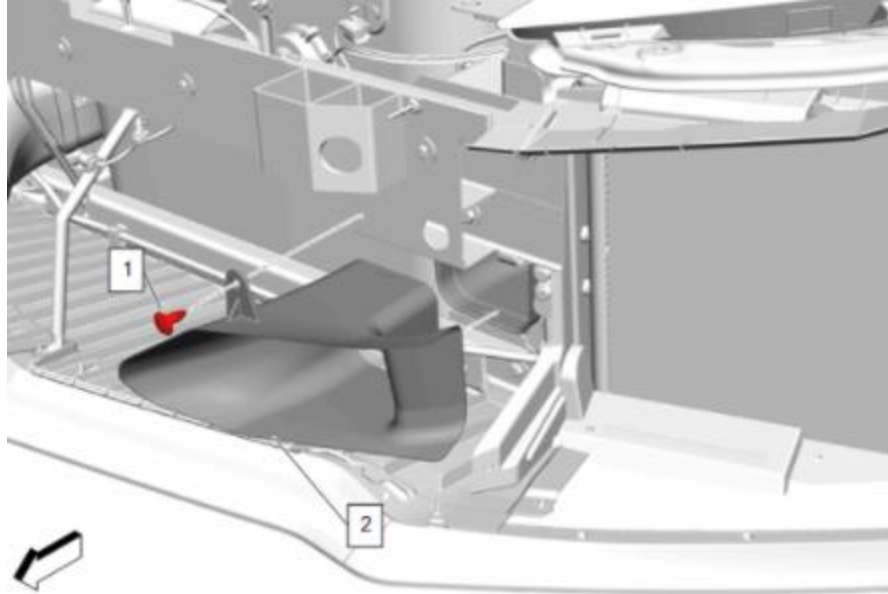


14.

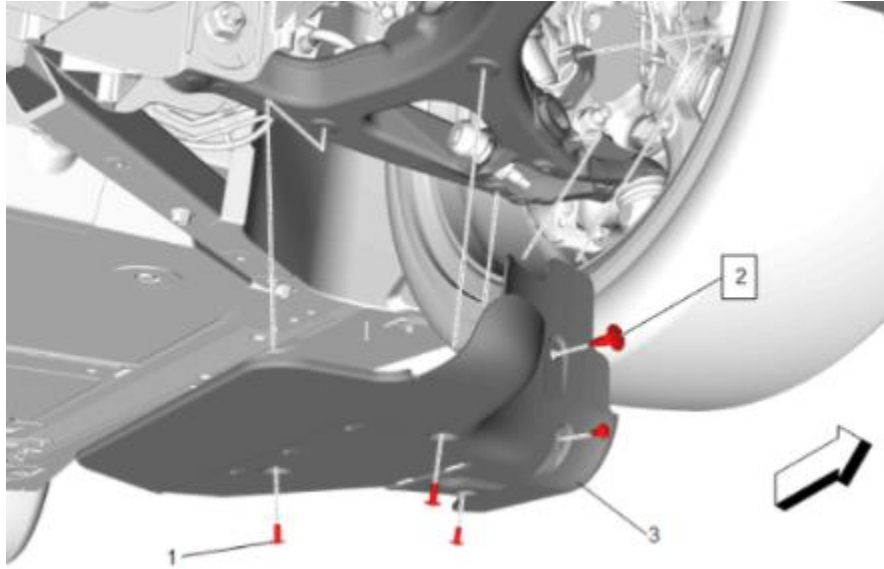


Install Front Brake Rotor Cooling Duct (1)

15. Install Front Brake Rotor Cooling Duct Bolt (2) Install and tighten **51 lb in**



16.  Install Front Brake Rotor Cooling Extension Duct (2)



1	Front Brake Rotor Cooling Duct Deflector Bolt [4x] Caution: Tighten 9 Y (80 lb in)
2	Retainer
3	Front Brake Rotor Cooling Duct Deflector