

C70 (06-), 2008, B5254T7, M66, L.H.D

7/8/2020



PRINT

Rotary switch, front door window regulator

Note! The illustrations in this service information are used for different model years and/or models. Some variation may occur. However, the essential information in the illustrations is always correct.

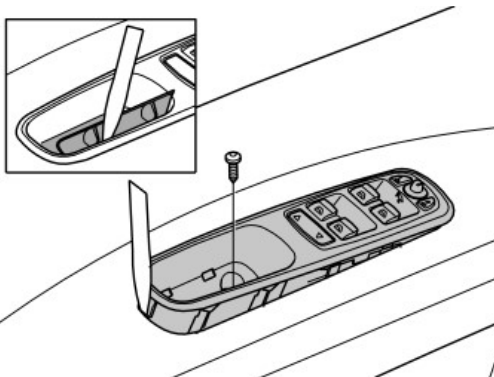
Removal

Ignition off

Ignition off



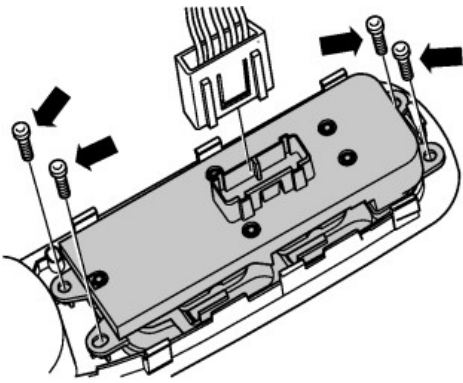
Removing switch side door



Remove:

- the cover
- the bolt, x1
- the control panel
- the connector

- the 4 screws



- the switch from the control panel.

Installation

Installing switch side door

Install:

- the switch on the control panel
- the 4 screws
- the connector
- the control panel
- the bolt, x1
- the cover.

PRINT

7/8/2020