
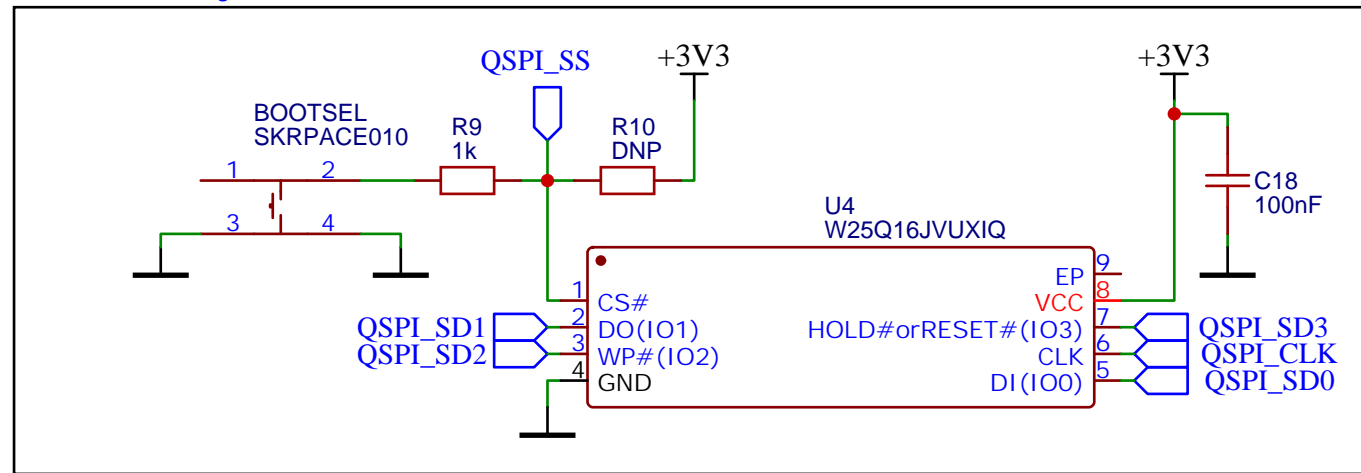
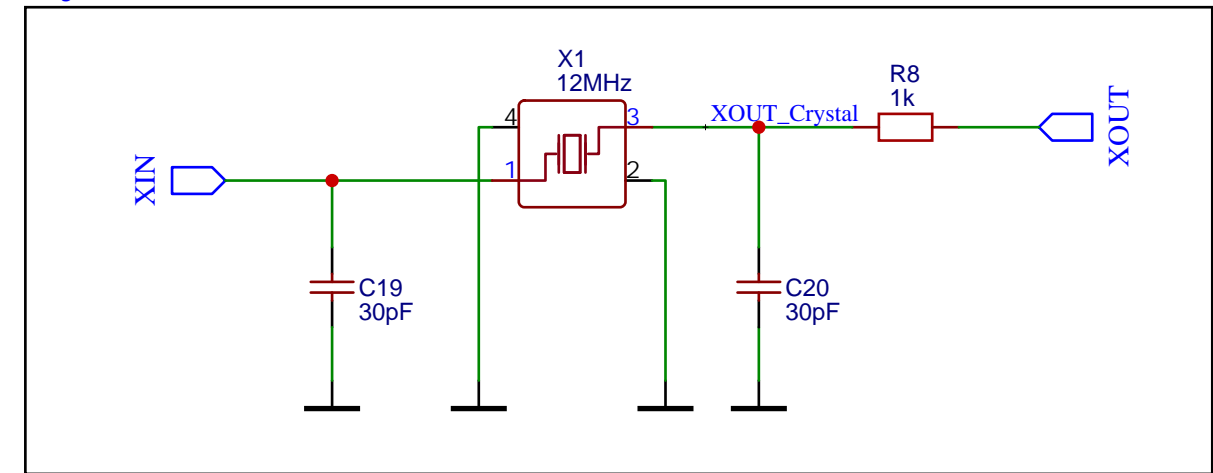


TITLE: MCU RP2040		REV: 1.0
	Company: Hobbyist	Sheet: 2/4
	Date: 2023-07-11	Drawn By: chros

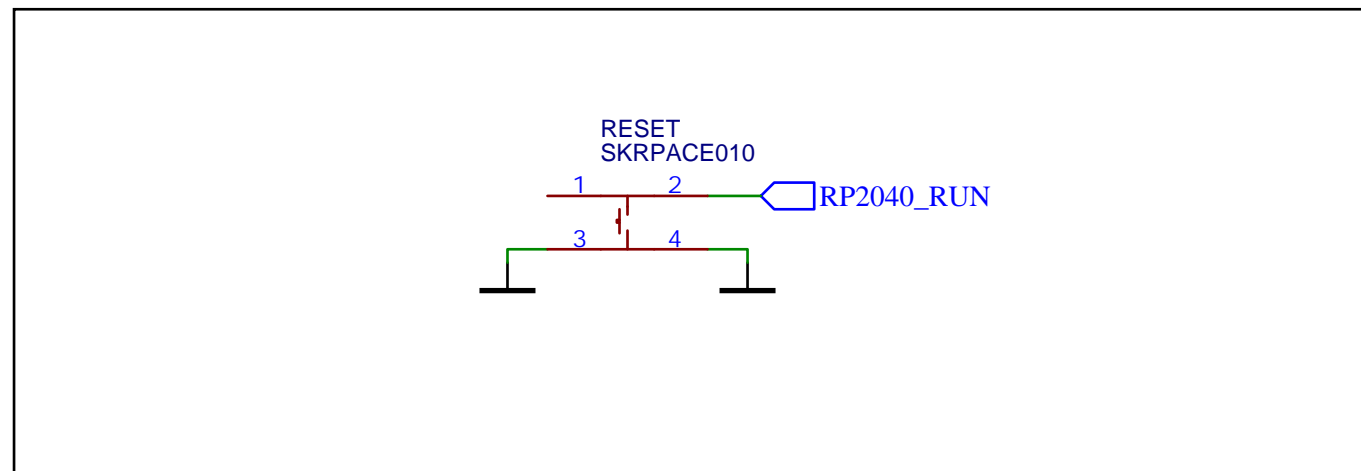
Flash Memory



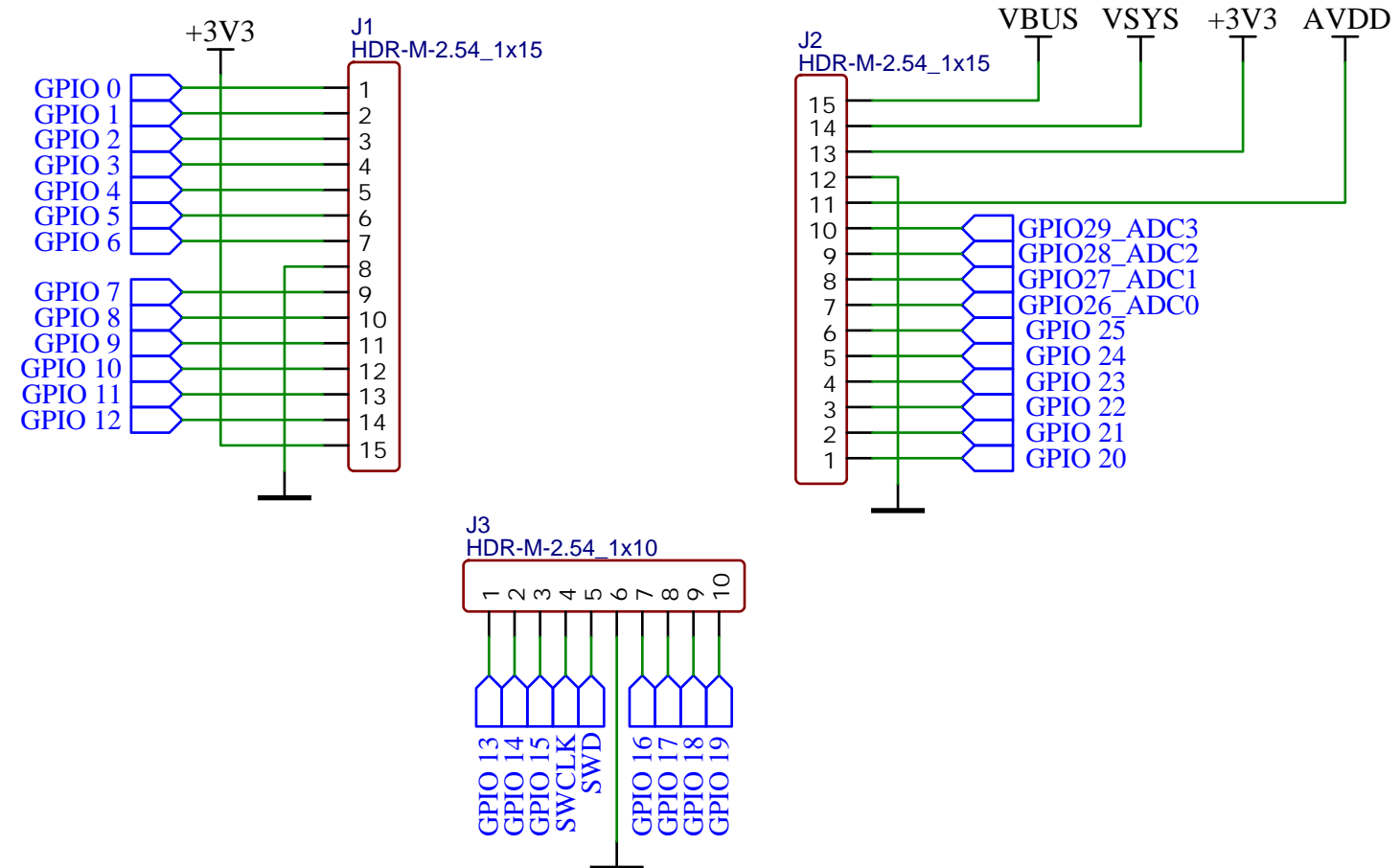
Crystal




Reset Button



TITLE: MCU RP2040 Peripherals		REV: 1.0
嘉立创EDA	Company: Hobbyist	Sheet: 3/4
	Date: 2023-07-11	Drawn By: chros



TITLE: Castellated Pads / Connectors		REV: 1.0
	Company: Hobbyist	Sheet: 4/4
	Date: 2023-07-10 Drawn By: chros	