



**900 Gallon Taylor Wharton SI-CGA-341  
250 MAWP**

**Robust Piping and Components**

**Leveling Jacks**

**6 Valve Distribution Header**

**1" Dual SS Pressure  
Reducing Manifold**

**7.5K High Flow Vaporizer**

**SS Lined High Capacity  
Pressure Build Coil**

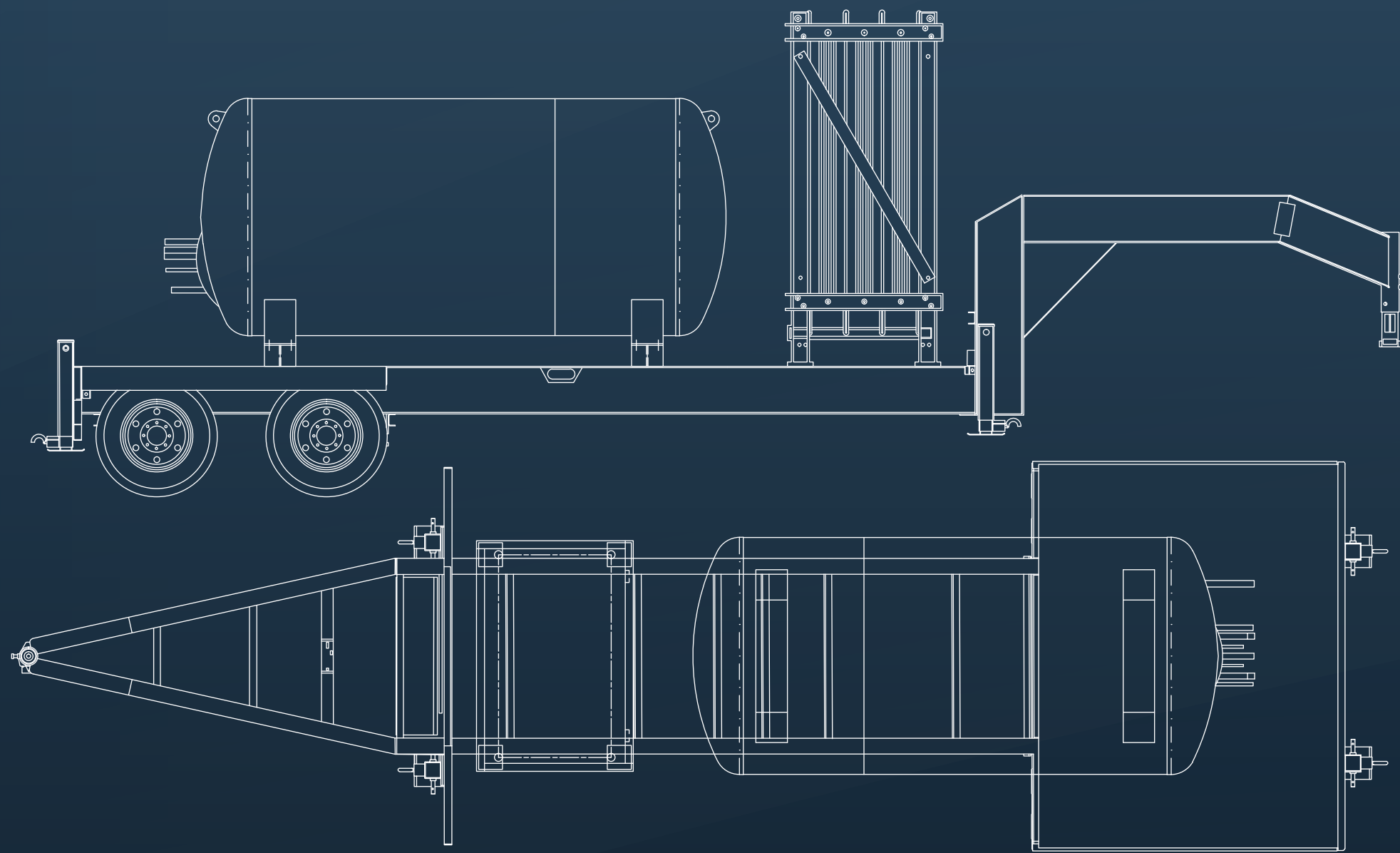


# Features

- Use as a delivery unit or drop in place temporary supply
- 900 gallon gross capacity (850 net)
- 250 MAWP
- High flow pressure control manifold
- Stainless steel lined pressure build coil
- Leveling jacks

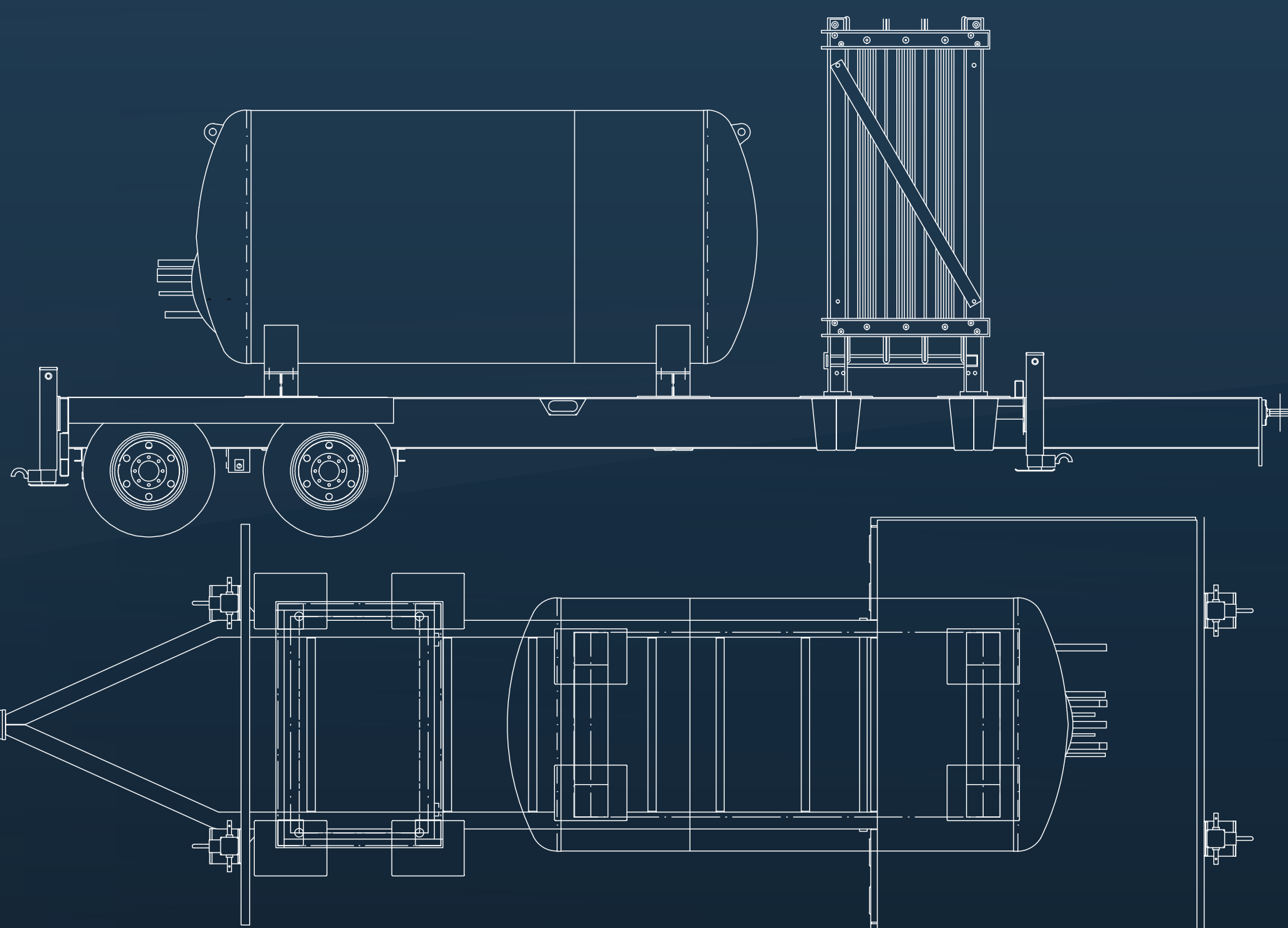
# Options

- Flow meter
- Two trailer options
- Piping cabinet



## Goose Neck

Weight: 18,400 lbs\*  
Length: 28.5'  
Width: 8'1"

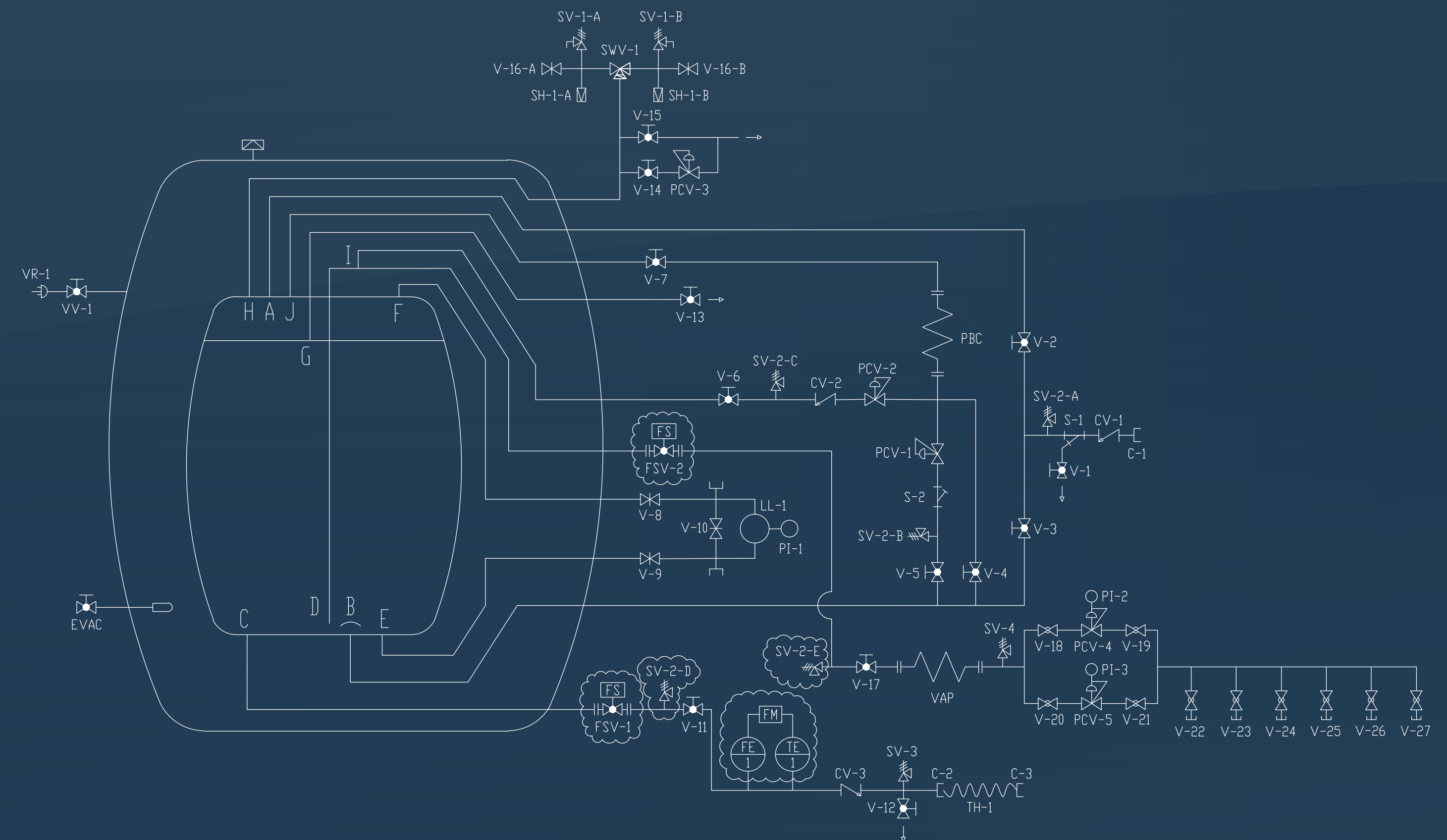


## Pintle Hitch

Weight: 18,150 lbs\*  
Length: 25'  
Width: 8'1"

## Trailer Options

\*estimated, full argon



ANNULAR PIPE	SIZE (INCH)
TOP FILL (A)	1
BOTTOM FILL (B)	1
LIQUID AUXILIARY (C)	1
SIPHON WITHDRAWAL (D)	1
LIQUID INSTRUMENT (E)	3/8
GAS INSTRUMENT (F)	3/8
FULL TRYCOCK (G)	1/2
SAFETY (H)	1
ECONOMIZER RETURN (I)	1/2
VAPOR RETURN (J)	1

OPTIONAL

TAG NO.	FUNCTION
C-1/2	HOSE CONNECTION
C-3	CUSTOMER CONN, LIQUID DISCHARGE
CV-1/2/3	REVERSE FLOW CHECK VALVE
FE	FLOW ELEMENT (METER TURBINE)
FM	LIQUID FLOW METER
FSV-1/2	FIRE SHUTDOWN VALVE
LL-1	LIQUID LEVEL INDICATOR
PBC	PRESSURE BUILD COIL
PCV-1	PRESSURE BUILD REGULATOR
PCV-2/3	BACK PRESSURE REGULATOR
PCV-4/5	PRESSURE REDUCING REGULATOR
PI-1/2/3	PRESSURE GAUGE
S-1/2	PARTICULATE STRAINER
SH-1-A/B	INNER VESSEL RUPTURE DISC
SV-2-A/B/C/D/E	LINE RELIEF VALVE
SV-3/4	LINE RELIEF VALVE

TAG NO.	FUNCTION
TE	TEMPERATURE ELEMENT (METER PROBE)
TH-1	LIQUID TRANSFER HOSE
V-1/2/3	FILL VALVES HOSE DRAIN/TOP/BOTTOM
V-4/5/6/7	PB/ECOND. CIRCUIT ISOLATION VALVES
V-8/9/10	GAUGE SHUTOFF VALVE, VAP./LIQ./BYPASS
V-11	LIQUID DISCHARGE ISOLATION VALVE
V-12	LIQUID DISCHARGE HOSE DRAIN VALVE
V-13	FULL TRYCOCK VALVE
V-14	ROAD RELIEF ISOLATION VALVE
V-15	VENT VALVE
V-16-A/B	SAFETY TEST VALVE
V-17	LIQUID DRAW/ DIP TUBE ISOLATION VALVE
V-18/19/20/21	GAS USE ISOLATION VALVE
V-22/23/24/25/26/27	TORCH HEADER ISOLATION VALVE
VAP	AMBIENT VAPORIZER

## P&ID