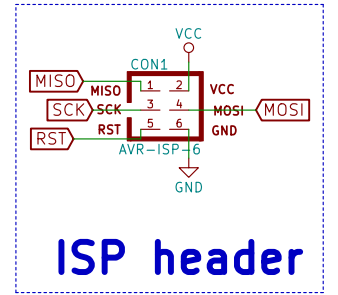
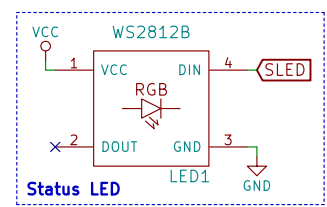
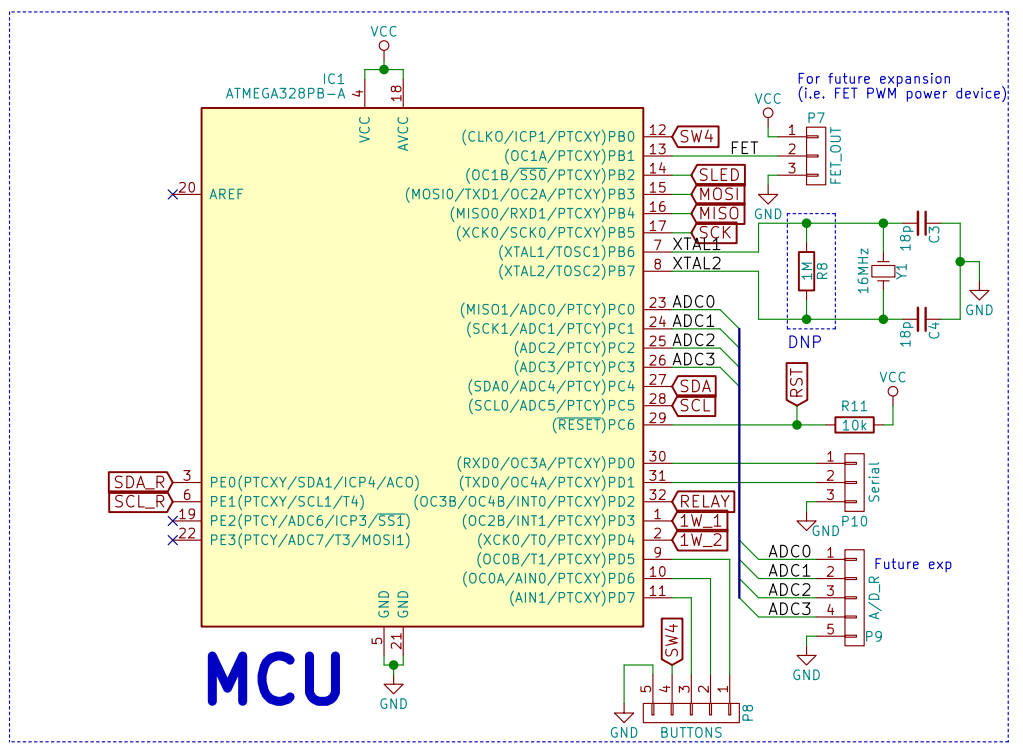
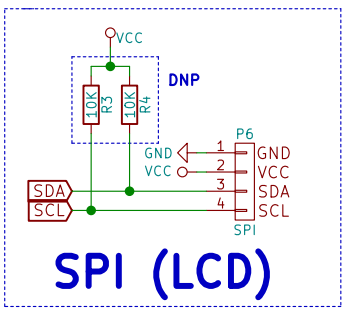
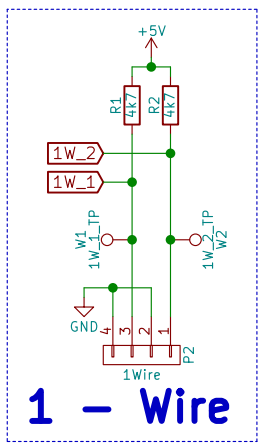


THERMOSTAT



mackomarosh@gmail.com	
Maroš Macko	
Sheet: /	
File: Termostat.sch	
Title: Thermostat	
Size: A4	Date: 2016-07-16
KiCad E.D.A. eeschema 4.0.5	Rev: 1.3
	Id: 1/1