

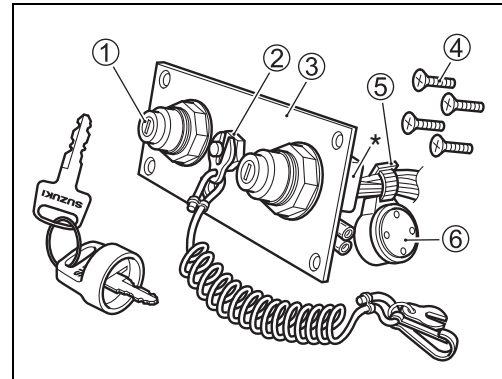
DUAL IGNITION SWITCH PANEL KIT

Part number	Part name	Applicable model
37100-96J15	Dual ignition switch panel kit	All electric starter model (for dual)

INSTALLATION

COMPONENT PARTS

Ref.	Part name	Part number	Q'ty
①	Ignition switch	37110-93J01	2
②	Emergency switch	37820-93JA0	1
③	Panel	37139-99E10	1
④	Screw	03122-05165	4
⑤	Clamp	09407-08401	1
⑥	Buzzer, Warning	38500-93J90	1



INSTALLATION

- Tools required
 - Electric drill
 - 70 mm (2-3/4 in) hole saw
 - 3.5 mm (9/64 in) drill bit
 - Phillips (+) screw driver
- Using hole saw and drill bit, drill holes through the dash panel at the center marks (x) shown.
- Connect the leads, matching their color, as shown in the following wiring diagram.
- Attach the panel to the dashboard.

