

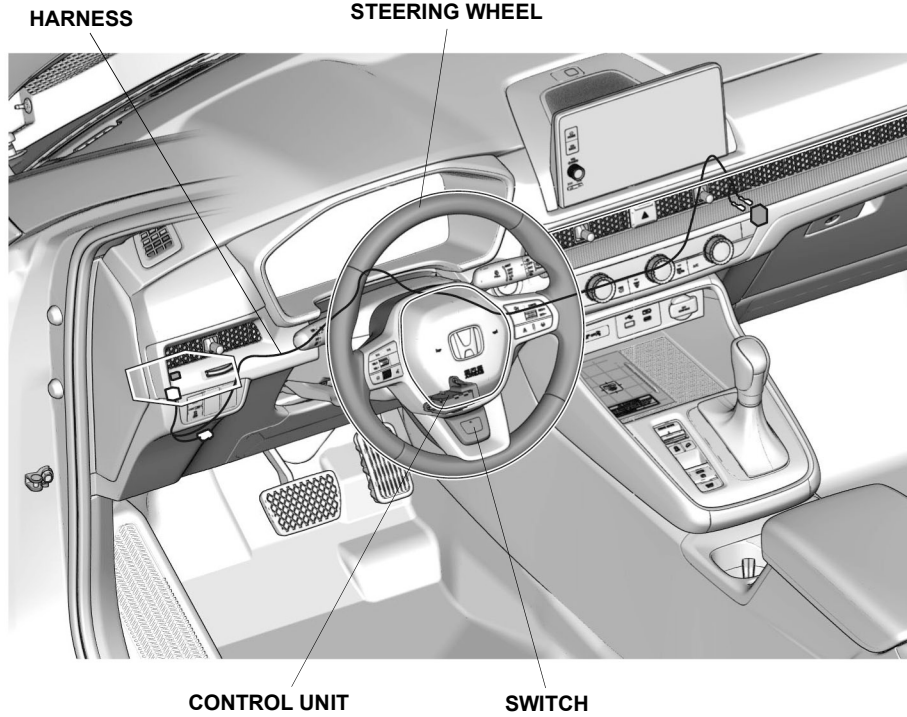
H HONDA
INSTALLATION
INSTRUCTIONS

Accessory
HEATED STEERING WHEEL

Application
2023 CR-V
MODEL SERIES

Publications No.
VERSION 1
 Issue Date
AUG 2022

GENERAL VIEW



QL02719AB

FOR YOUR SAFETY (Read carefully.)

Warning Symbols

Safety: Your safety, and the safety of others, is important. To help you make informed decisions about service procedures, we have provided safety messages where appropriate. Of course, it is not practical or possible to warn you about all the hazards associated with servicing a vehicle - you must use your own good judgment.

You will find important safety messages preceded by one of the following symbols:

*All symbols are not used in all installation instructions.



DANGER

You will be killed or seriously hurt if you do not follow the instructions.



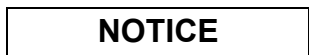
WARNING

You can be killed or seriously hurt if you do not follow the instructions.



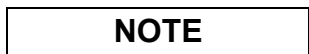
CAUTION

You can be hurt if you do not follow the instructions.



NOTICE

Gives advice to prevent damage to the product, vehicle, the environment or other property.



NOTE

Gives helpful information or instructions to be followed when installing this product.

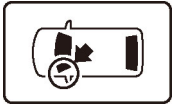


Indicates a prohibited action.

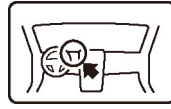
Procedure and Location Icons

These icons indicate the work location and the worker's point of view.

*All icons are not used in all installation instructions.



The location on the vehicle.



The location in the vehicle.
(Instrument panel.)



Wear eye protection.



Wear heavy gloves.



Use an assistant.



Place the part on a blanket.



Work perpendicular.



Remove any burrs.



Use touch-up paint and allow to dry.



Tighten to the specified torque.



Apply firm pressure while rolling, especially at the ends, to set the adhesive.



Press firmly.

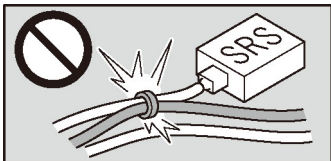


Clean with isopropyl alcohol.

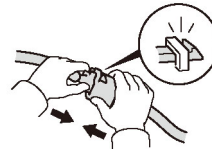


Return the original part to the customer.
(Do not reuse.)

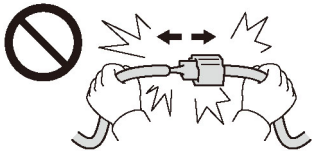
Wire Harness Routing Precaution



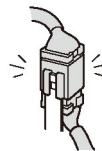
Do not secure the accessory harness to the SRS harness.
(except for instruction cases.)



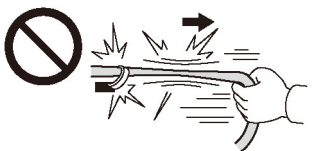
Push the connectors and terminals together until they lock.



Do not pull the harness to unplug the connectors.



Install removed connectors in their original location.



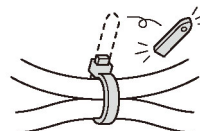
Do not pull the harness.



Secure the accessory harness as shown.



Do not pinch the harness.



Cut off the excess wire tie.

Safety: General

- Observe all safety notes and precautions described in the service information, in addition to those described in this Installation Instruction. Be extremely careful for your safety and safety of others.
- Be careful not to damage the vehicle or the parts.
- Be extremely careful when handling retaining tabs and clips.
- Note the locations of the parts before removing them so they can be properly installed in their original positions.
- The illustrations may differ slightly from the actual accessory.

Safety: Electric Parts

Always disconnect the negative cable from the battery before beginning work.

Safety: Accessory

- Always use the parts and tools specified in the installation instructions.
- Do not install the accessory on a dirty surface or in direct sunlight.
- Make sure the ambient air temperature is 60°F (15°C) or above when installing accessories that use adhesive material.
- When pressing the accessory firmly with the palm of your hand, be careful not to damage it or the vehicle.
- When applying adhesive material, make sure it is lined up properly before attaching. Once the adhesive material touches the surface, do not try to remove it. If you do, you could damage the part.
- Do not wash the vehicle or moisten it for 24 hours to allow the adhesive to cure.

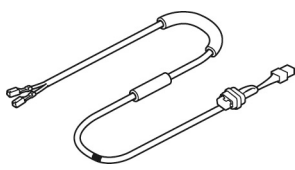







PARTS LIST

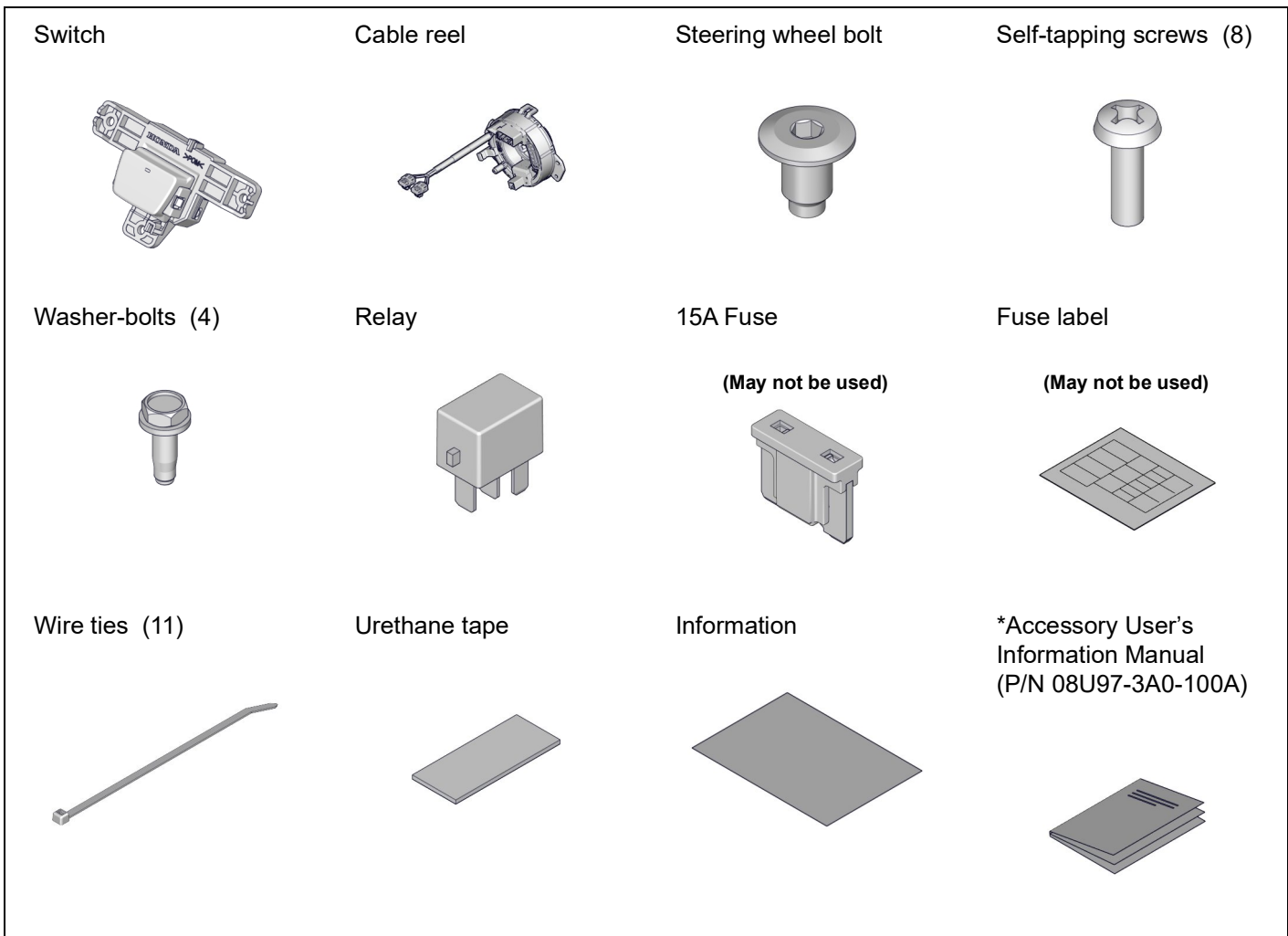
Heated Steering Wheel Kit

(P/N 08U97-3A0-100A)

(P/N 08U97-3A0-100B)

(*: The part differs depending on the kit.)

<p>Harness</p> 	<p>Steering wheel</p> 	<p>*Steering wheel cover (P/N 08U97-3A0-100A)</p> 	<p>*Steering wheel cover (P/N 08U97-3A0-100B)</p> 
<p>Switch trim</p> 	<p>Control unit</p> 	<p>*Cable reel cord (P/N 08U97-3A0-100A)</p> 	<p>*Cable reel cord (P/N 08U97-3A0-100B)</p> 



REQUIRED TOOLS AND SUPPLIES

- 10 mm Open end wrench
- Punch (diameter of 5.5 mm)
- Ratchet
- i-HDS
- Scissors
- Masking tape
- 10 mm Socket
- Torque wrench
- Isopropyl alcohol
- Ruler
- Phillips screwdriver
- 10 mm Hex wrench
- Shop towel
- Diagonal cutters

The following tools are available through the Honda Tool and Equipment Program:

- Trim Tool Set (T/N SOJATP2014)
- Plastic Trim Tool (T/N SILTRIMTL10)

INSTALLATION

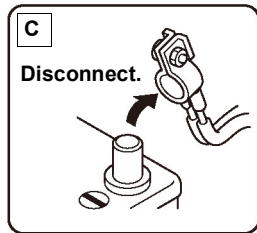
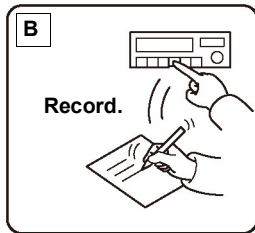
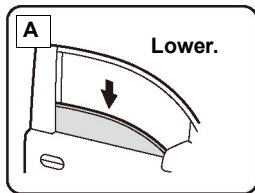
1. Disconnect the negative cable from the battery.

NOTE

With the driver's door open, turn the vehicle to the OFF (LOCK) mode, then wait at least 3 minutes before disconnecting the 12 volt negative battery cable.

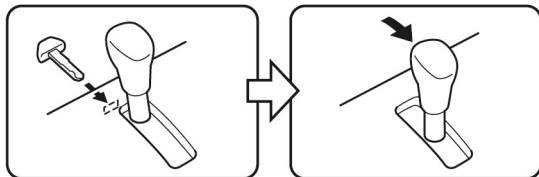
NOTICE

Wait at least three minutes before you start to install the steering wheel.



QCD0502BM

2. Move the shift lever to the "D" position.



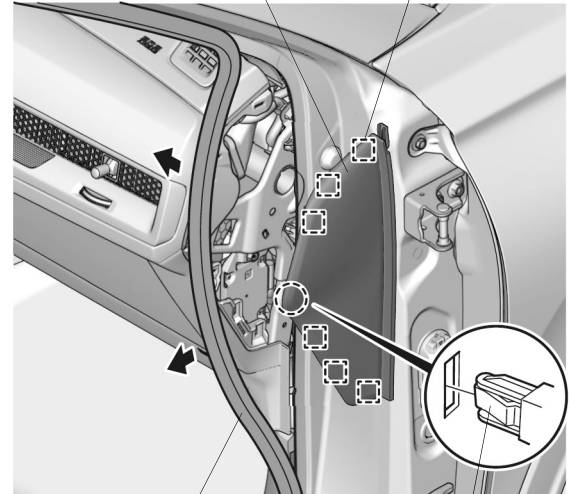
QM22301AB

3. Remove the passenger's dashboard side lid.



PASSENGER'S
DASHBOARD SIDE LID

6 RETAINING
TABS



DOOR OPENING
SEAL

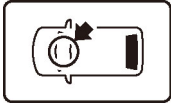
CLIP

QL93001AB

- Attach masking tape to protect the vehicle.

NOTE

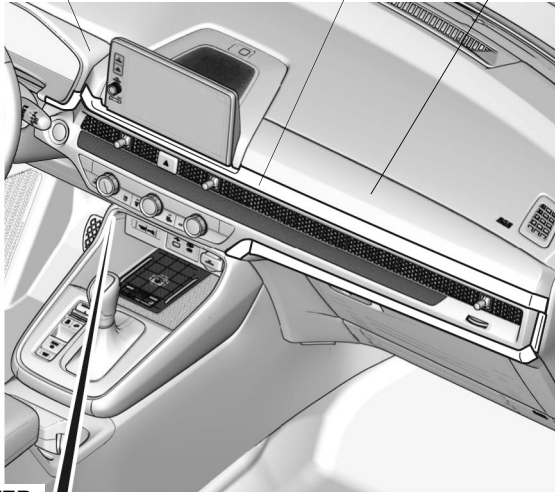
Do not remove the masking tape until after the parts are installed.



METER VISOR

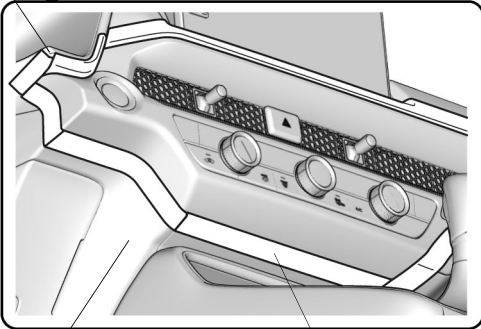
MASKING TAPE

INSTRUMENT PANEL



METER VISOR

OPPOSITE SIDE VIEW



INSTRUMENT PANEL

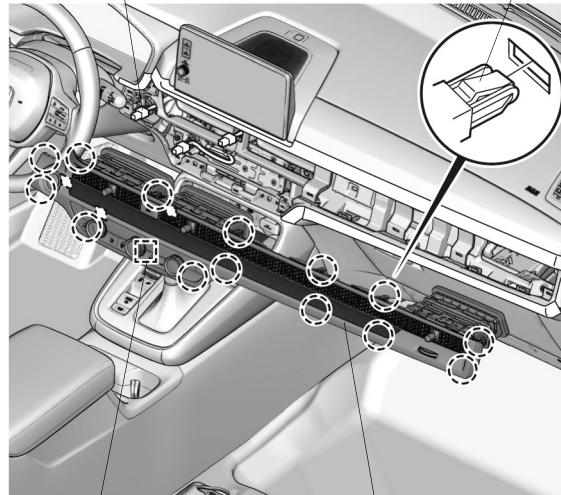
MASKING TAPE

QM31401AB

- Remove the center trim panel.

VEHICLE CONNECTORS

14 CLIPS



RETAINING TAB

CENTER TRIM PANEL

QM31402AB

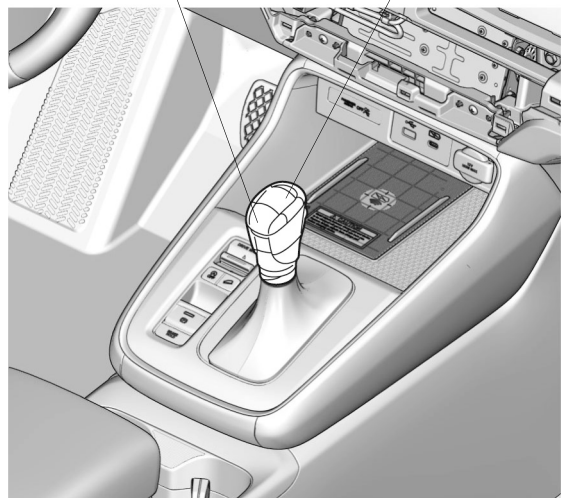
- Attach masking tape to protect the vehicle.

NOTE

Do not remove the masking tape until after the parts are installed.

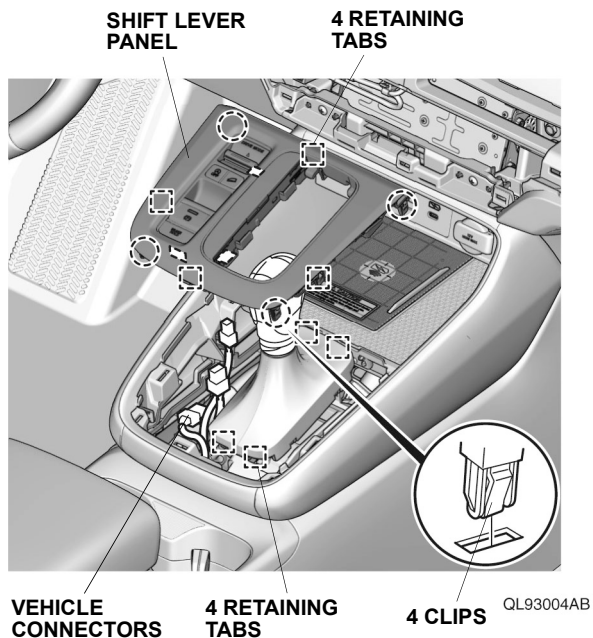
SHIFT LEVER

MASKING TAPE

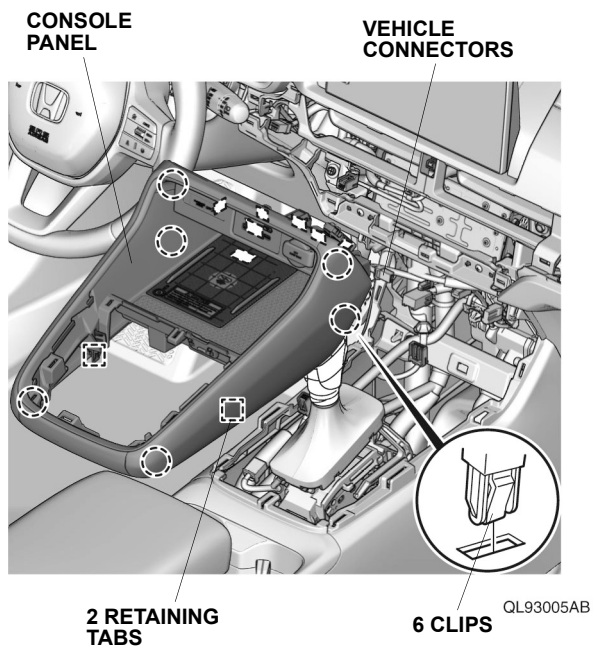


QL93003AB

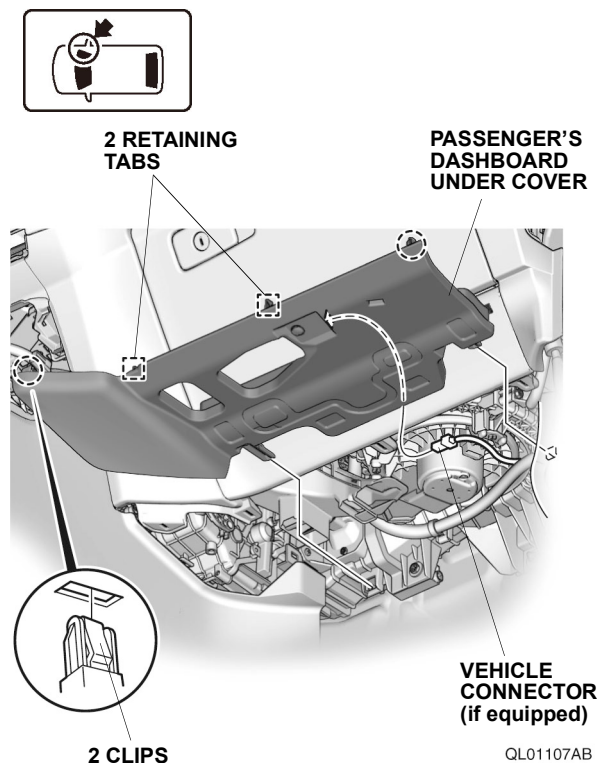
7. Remove the shift lever panel.



8. Remove the console panel.



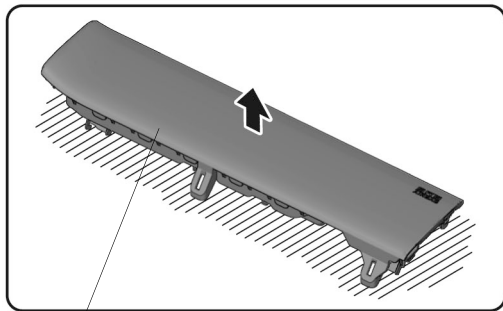
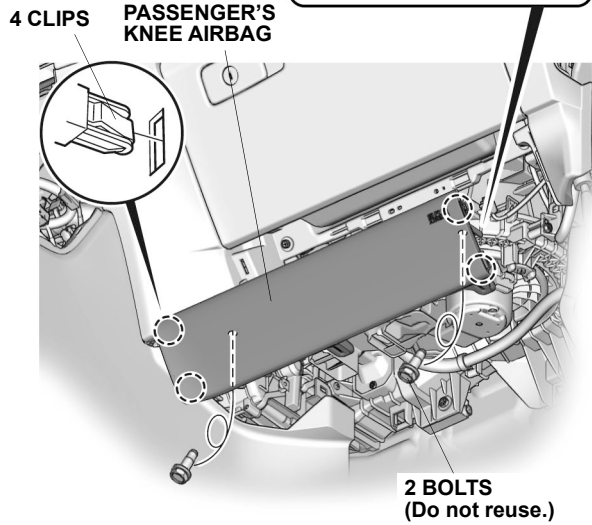
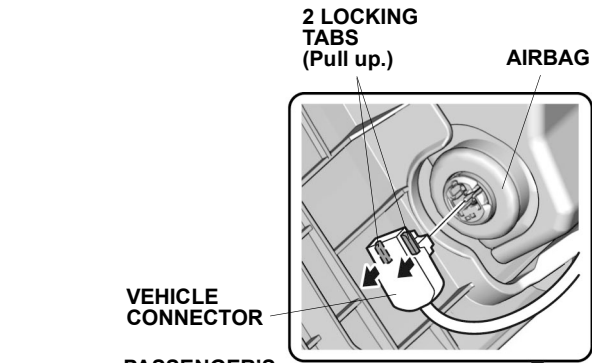
9. Remove the passenger's dashboard under cover.



10. Remove the passenger's knee airbag.

NOTICE

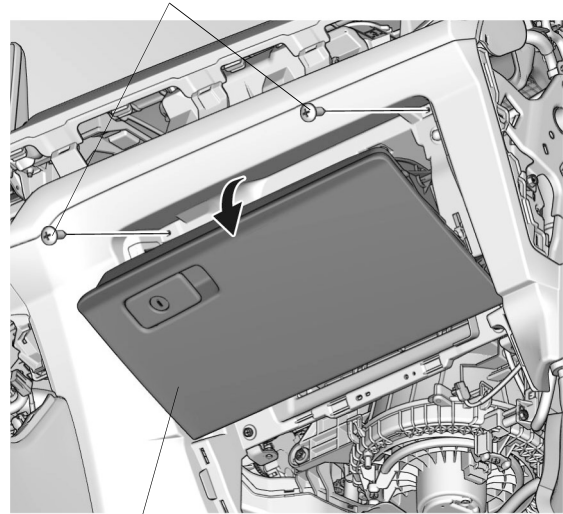
- Do not drop the removed knee airbag or hit it on an object.
- Place the removed knee airbag in a safe place with the padded surface (top) facing upward.



QL93007BB

11. Open the glove box.

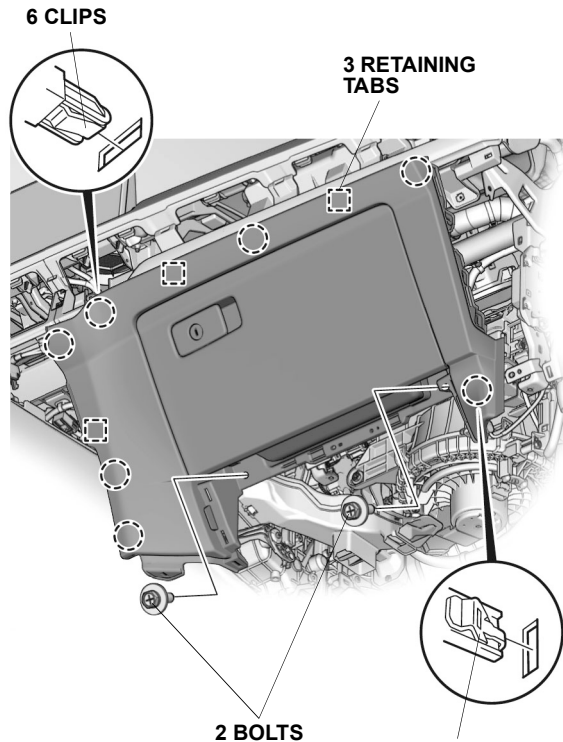
2 SELF-TAPPING SCREWS



GLOVE BOX

QL93008AB

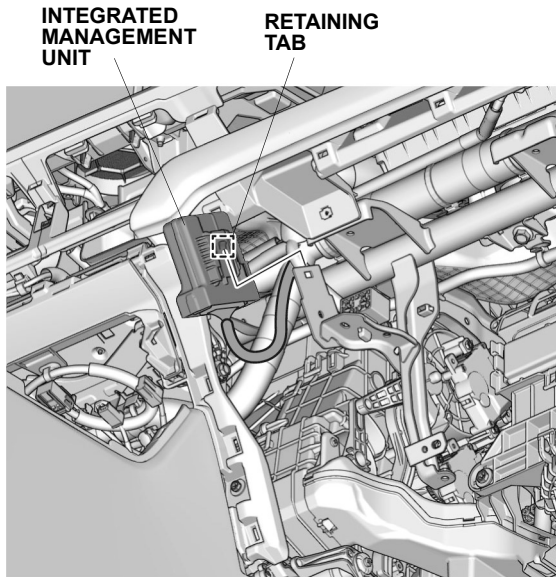
12. Remove the self-tapping screws.
13. Close the glove box.
14. Remove the glove box.



CLIP

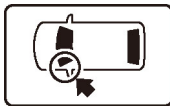
QL93009AB

15. Release the integrated management unit.



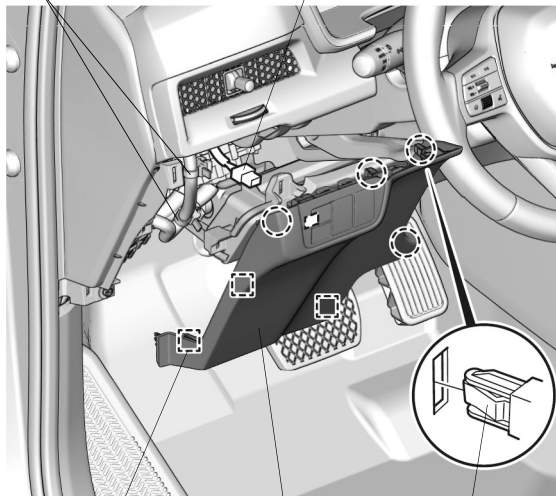
QL93010AB

16. Remove the driver's outside lower cover.



2 VEHICLE CLIPS

VEHICLE CONNECTOR



QL02208AB

17. Remove the driver's knee airbag.

NOTICE

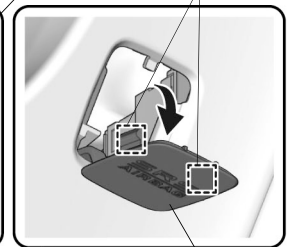
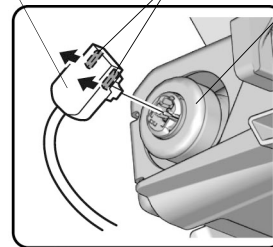
- Do not drop the removed knee airbag or hit it on an object.
- Place the removed knee airbag in a safe place with the padded surface (top) facing upward.

VEHICLE CONNECTOR

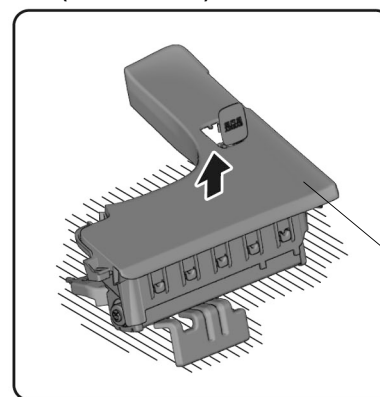
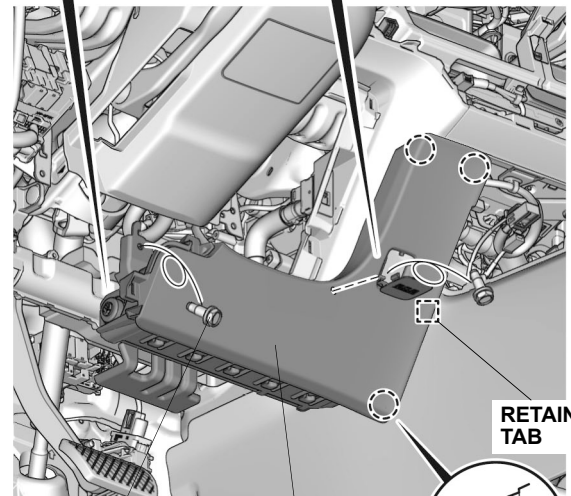
2 LOCKING TABS (Pull up.)

AIRBAG

2 RETAINING TABS

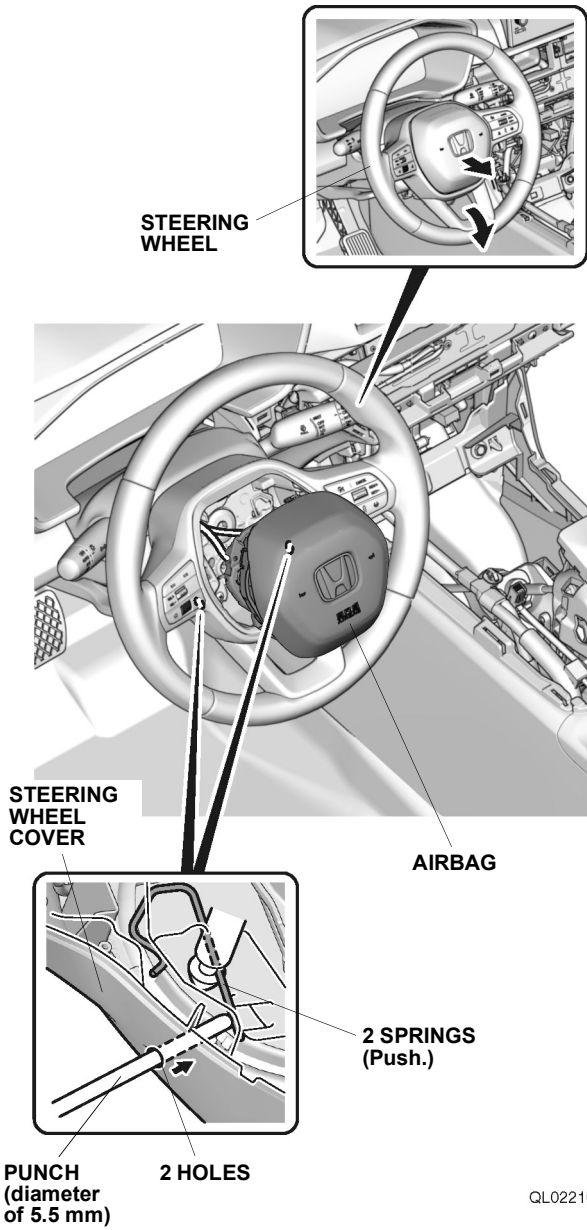


CAP



QL00104AB

18. Fix the tilt lever of the column in the lowest position
the telescopic in the position that is pulled most.

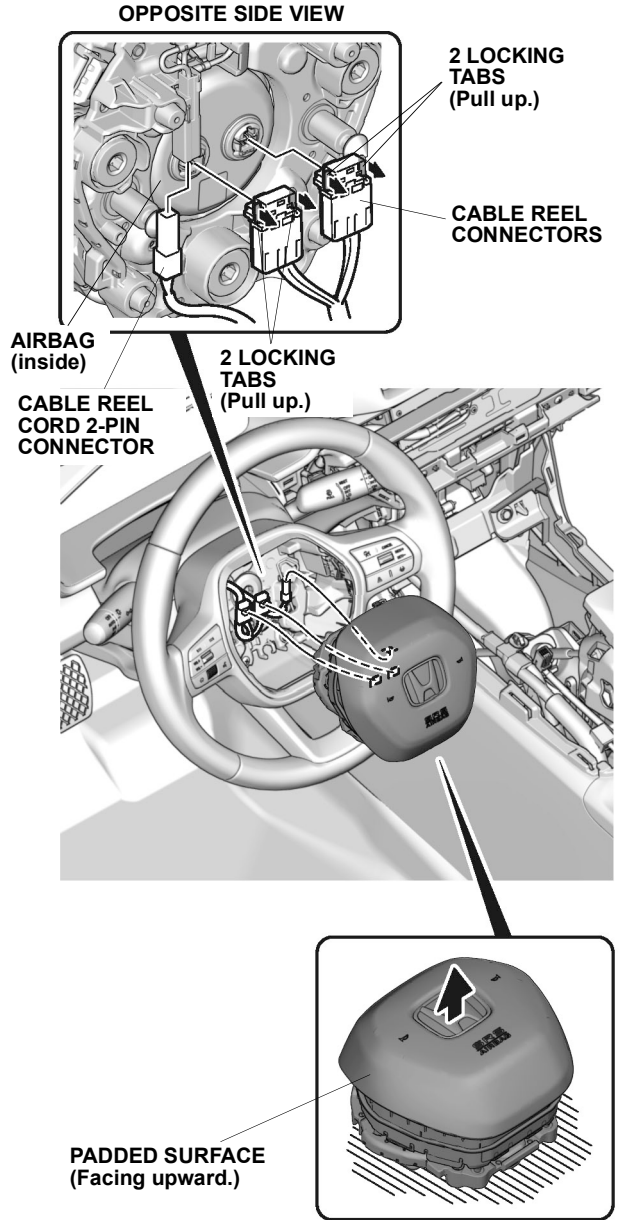


19. Release the airbag.

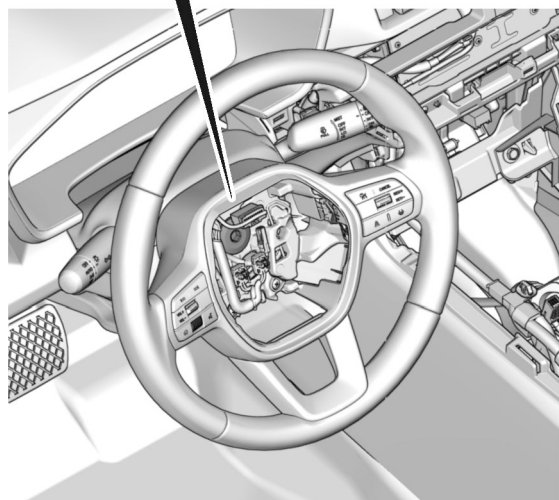
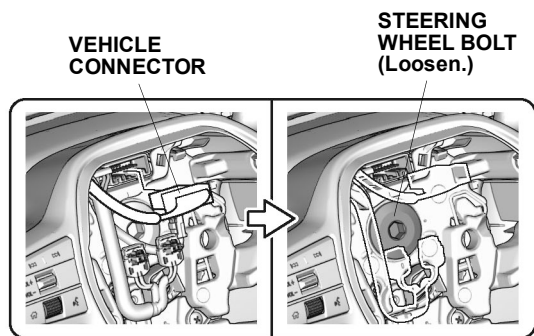
20. Remove the airbag.

NOTICE

- Do not drop the removed airbag or hit it on an object.
- Place the removed airbag in a safe place with the padded surface (top) facing upward.



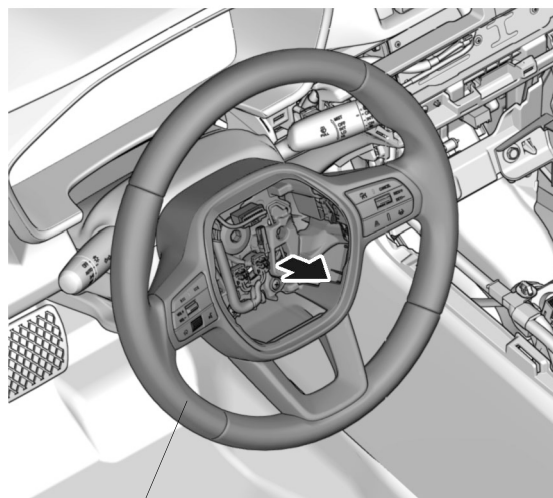
21. Unplug the vehicle connector.



QL02212BB

22. Confirm that the front wheels are aligned with straight-ahead, and loosen the steering wheel bolt.

23. Tap the steering wheel to release it.



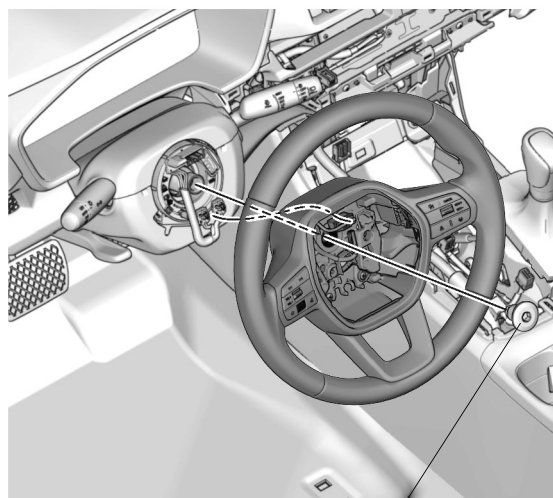
Tap the steering wheel grip from behind.

QL02213BB

24. Remove the steering wheel.

NOTE

Remove the old sealant from the threads in the steering column shaft.



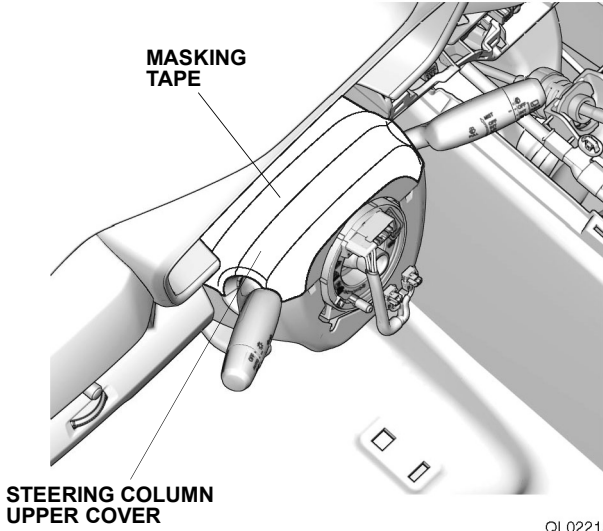
STEERING WHEEL BOLT (Do not reuse.)

QL02214BB

25. Attach masking tape to protect the vehicle.

NOTE

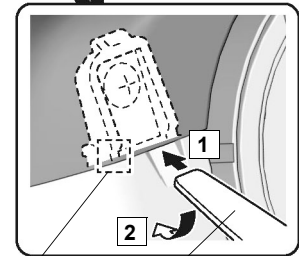
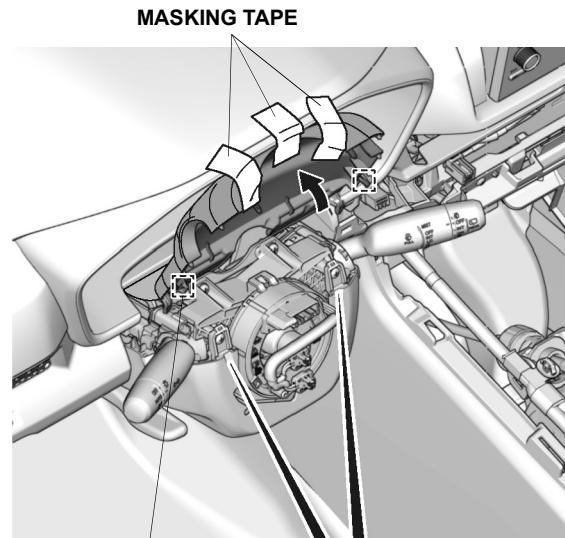
Do not remove the masking tape until after the parts are installed.



26. Release the steering column upper cover.

NOTE

Release in the order shown.



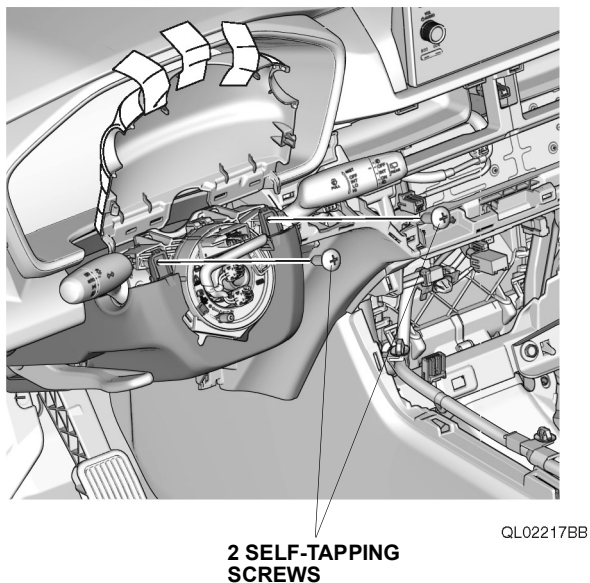
2 RETAINING TABS

PLASTIC TRIM TOOL

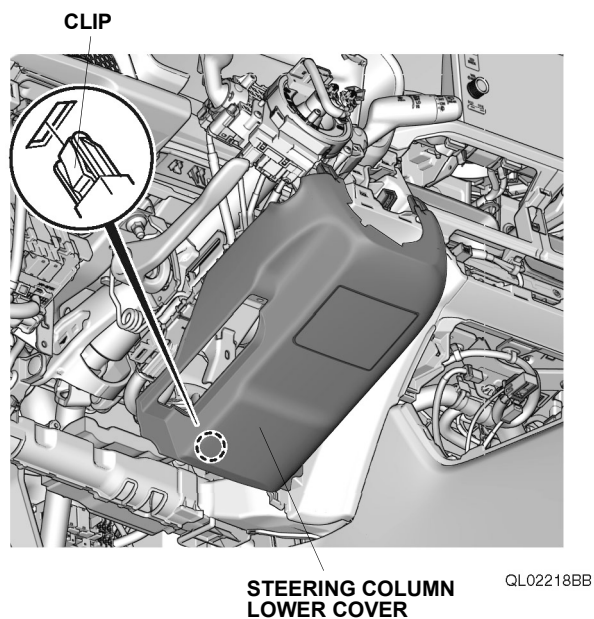
QL02216BB

27. Secure the steering column upper cover.

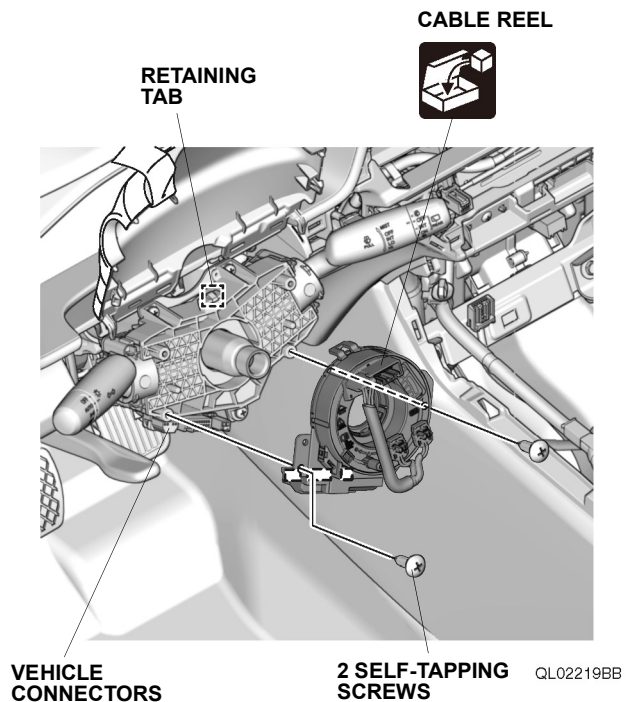
28. Remove the self-tapping screws.



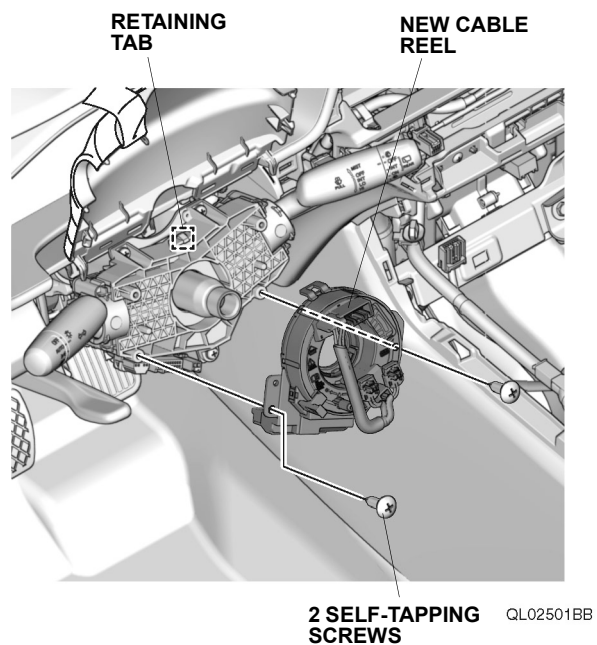
29. Remove the steering column lower cover.



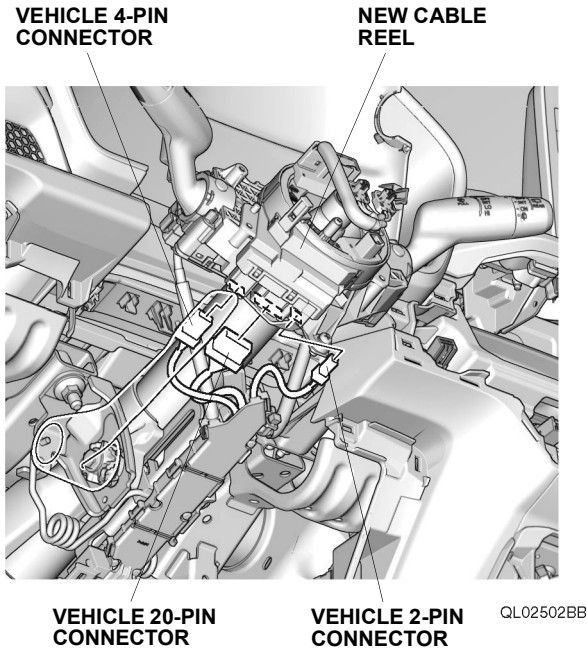
30. Remove the cable reel.



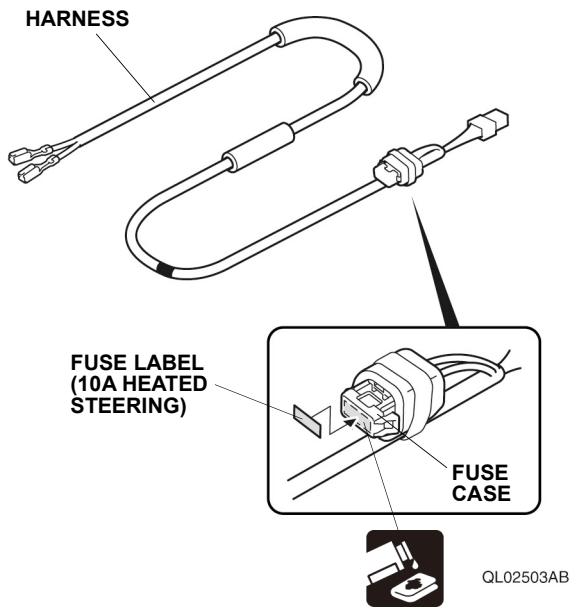
31. Install the new cable reel.



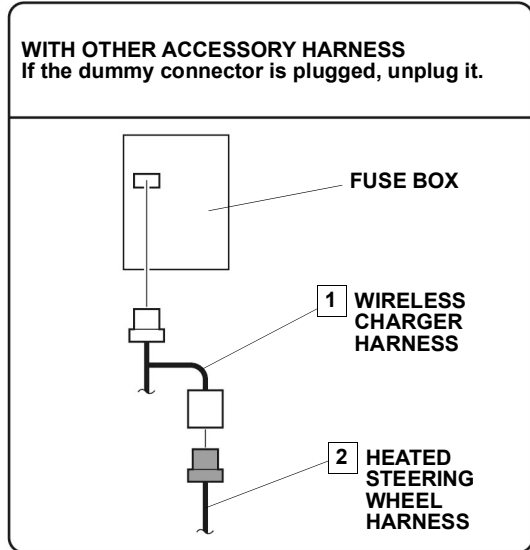
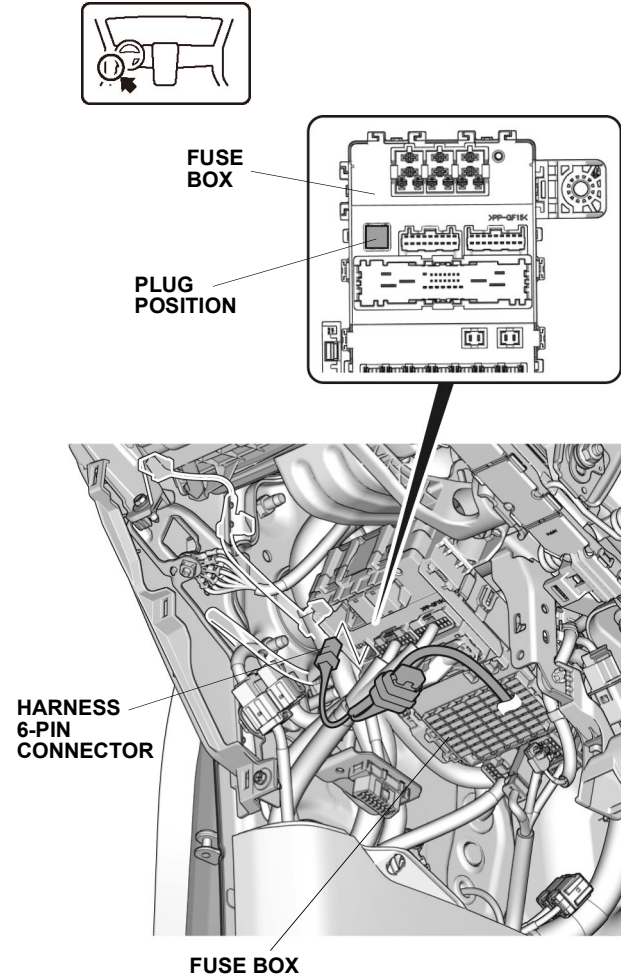
32. Plug-in the vehicle connectors.



33. Attach the fuse label.



34. Plug-in the harness connector.

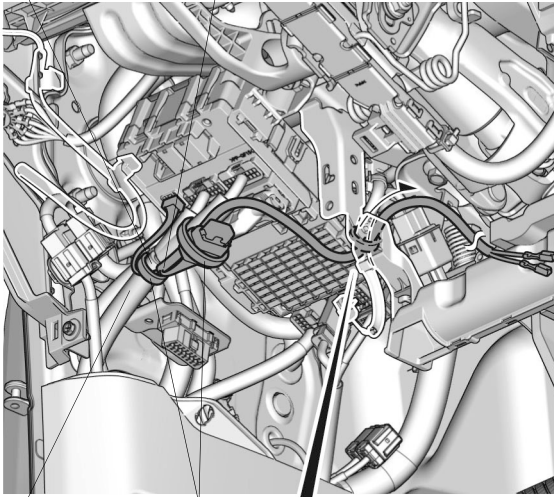


QL02504AB

35. Secure the harness and fuse case.

VEHICLE HARNESS BRANCH SECTION

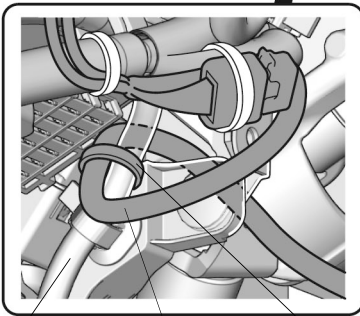
HARNESS BRANCH SECTION
(Line up with the vehicle harness branch section.)



VEHICLE HARNESS

2 WIRE TIES

OPPOSITE SIDE VIEW



VEHICLE HARNESS

HARNESS

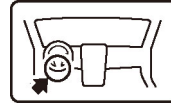
WIRE TIE

QL02505BB

36. Secure the harness.

NOTE

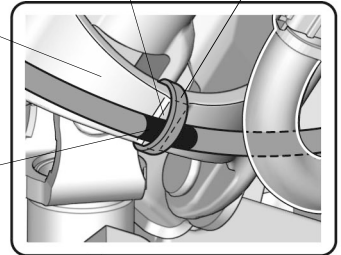
Be careful not to damage the harness.



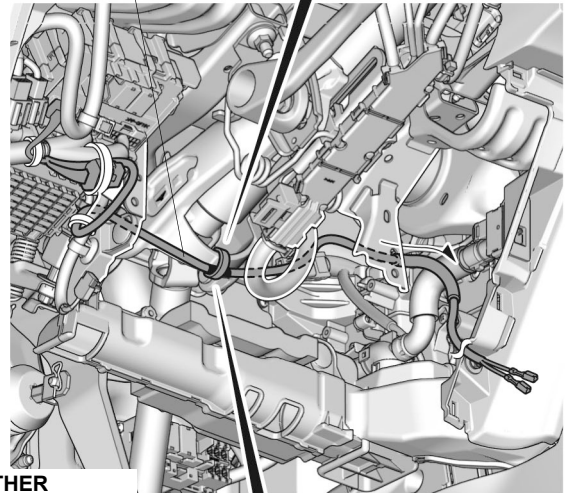
PROJECTION WIRE TIE

VEHICLE BRACKET

GREEN TAPE

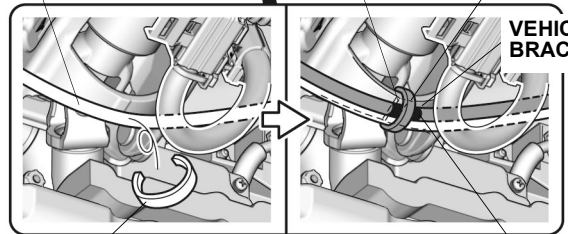


HARNESS



OTHER ACCESSORY HARNESS

PROJECTION WIRE TIE



WIRE TIE (Remove.)

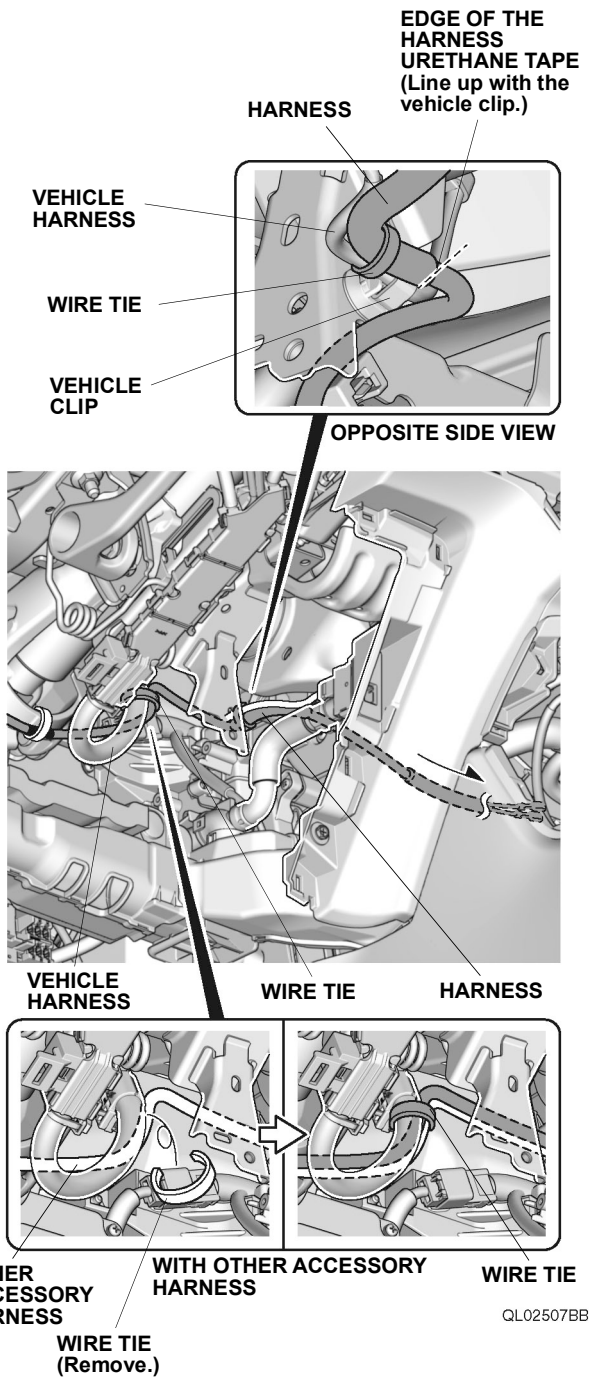
WITH OTHER ACCESSORY HARNESS

GREEN TAPE

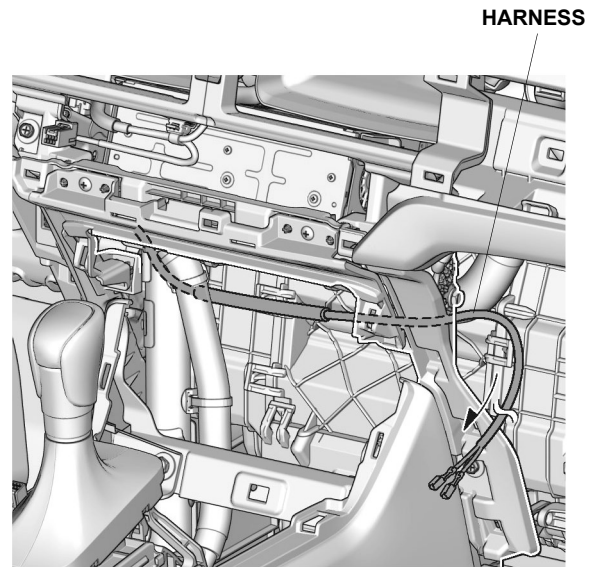
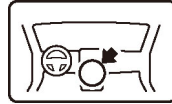
QL02506BB

37. Secure the harness.

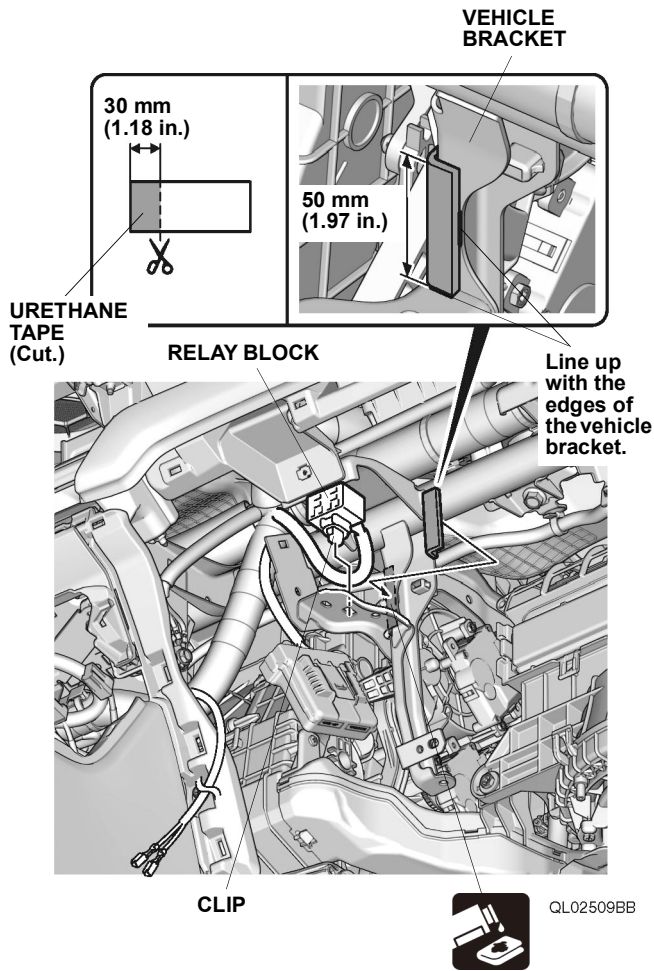
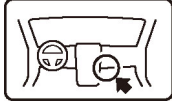
NOTE
Be careful not to damage the harness.



38. Route the harness.



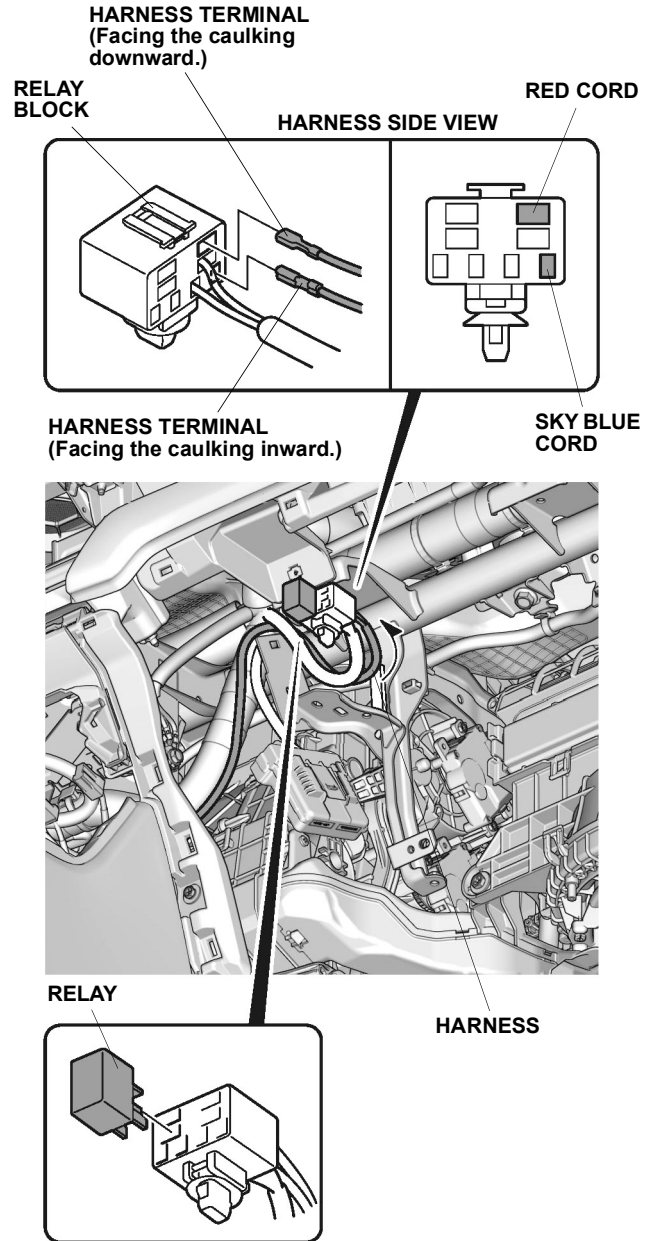
39. Release the relay block.



40. Attach the urethane tape.

41. Insert the harness terminals.

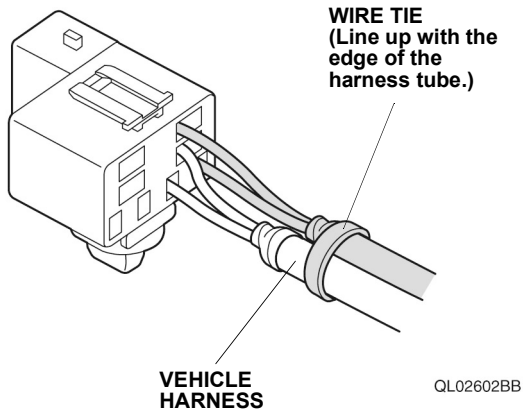
NOTE
Make sure to insert the terminals in the correct position and orientation.



QL02601BB

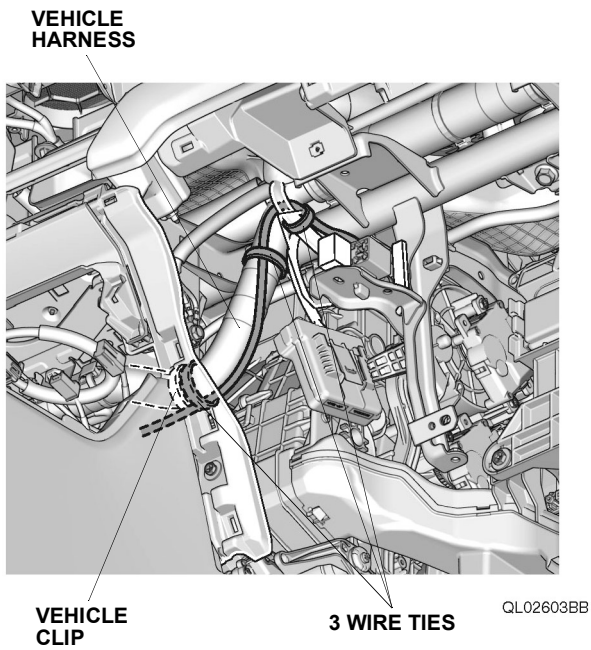
42. Install the relay.

43. Secure the harness.

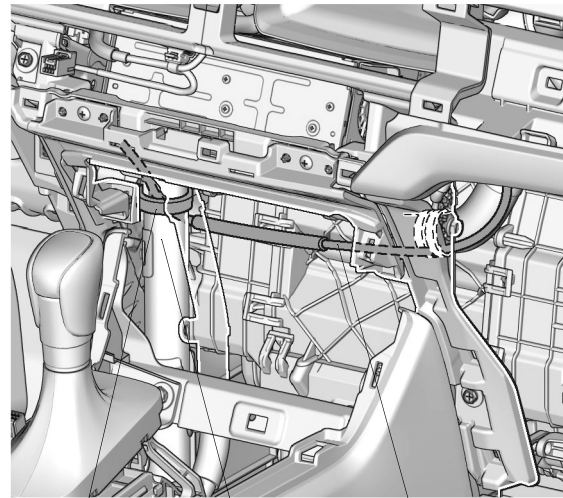
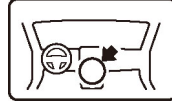


44. Install the relay block.

45. Secure the harness.

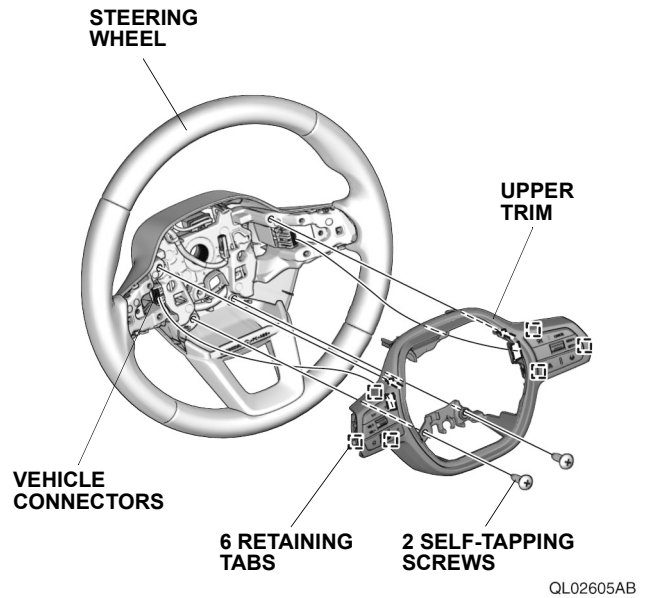


46. Secure the harness.

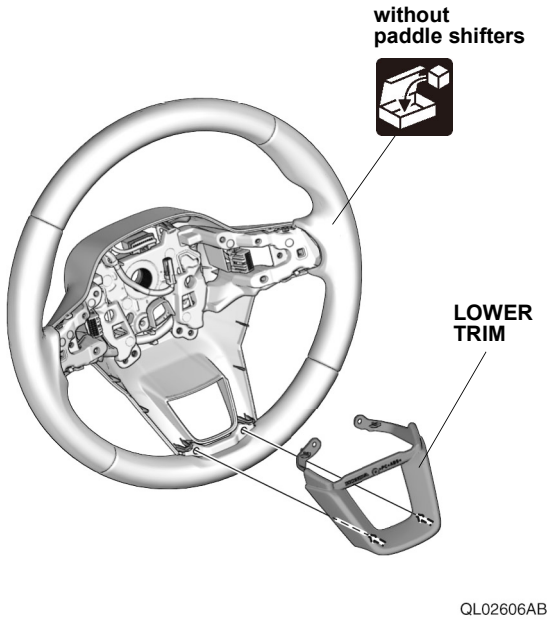


47. Install the steering column lower cover and steering column upper cover.

48. Remove the upper trim.



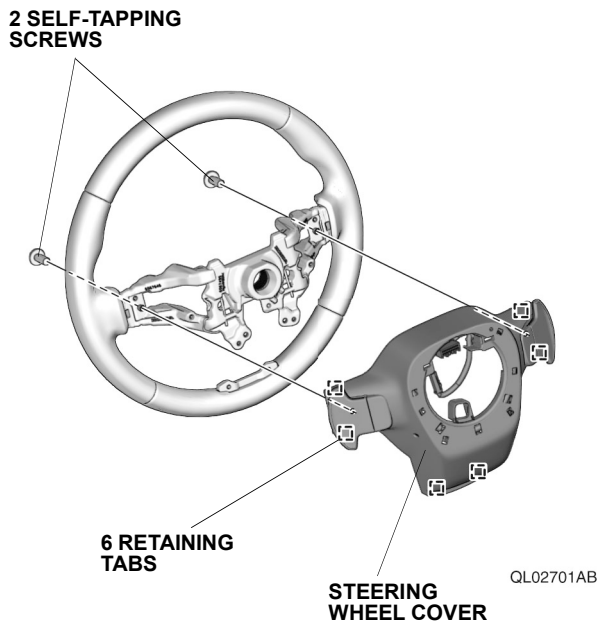
49. Remove the lower trim.



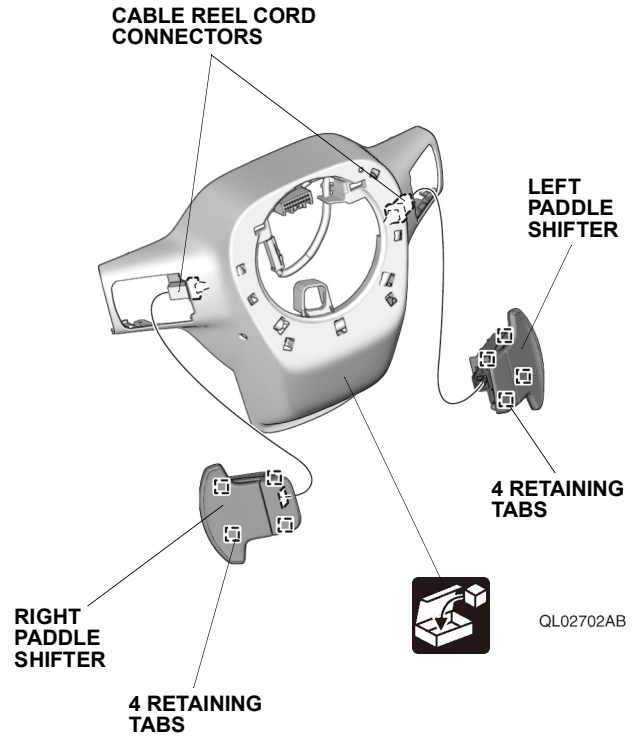
50. Choose one of these options.

- | | |
|---------------------------|---------------|
| • With paddle shifters | Go to step 51 |
| • Without paddle shifters | Go to step 61 |

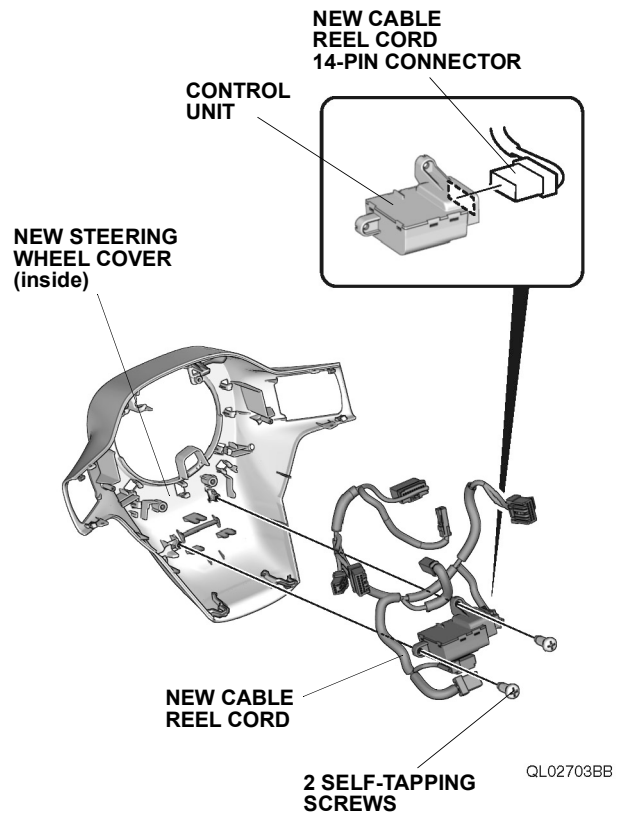
51. Remove the steering wheel cover.



52. Remove the left and right paddle shifters.

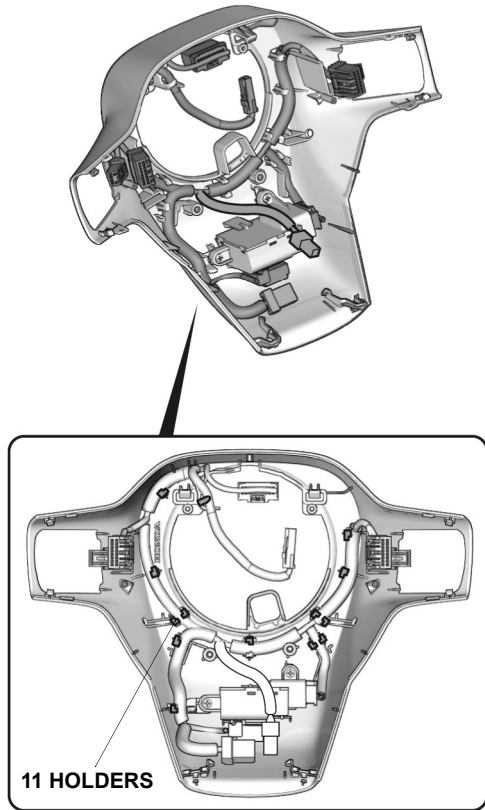


53. Plug-in the new cable reel cord connector.



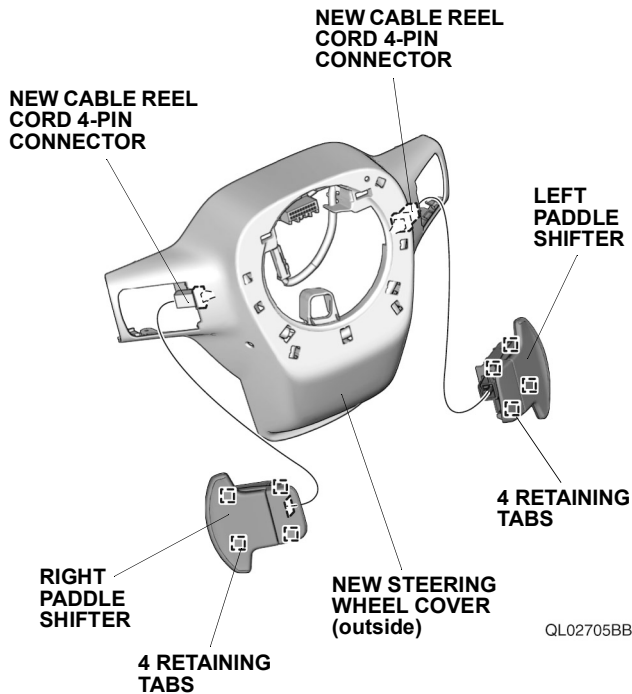
54. Install the control unit.

55. Secure the new cable reel cord.



QL02704CB

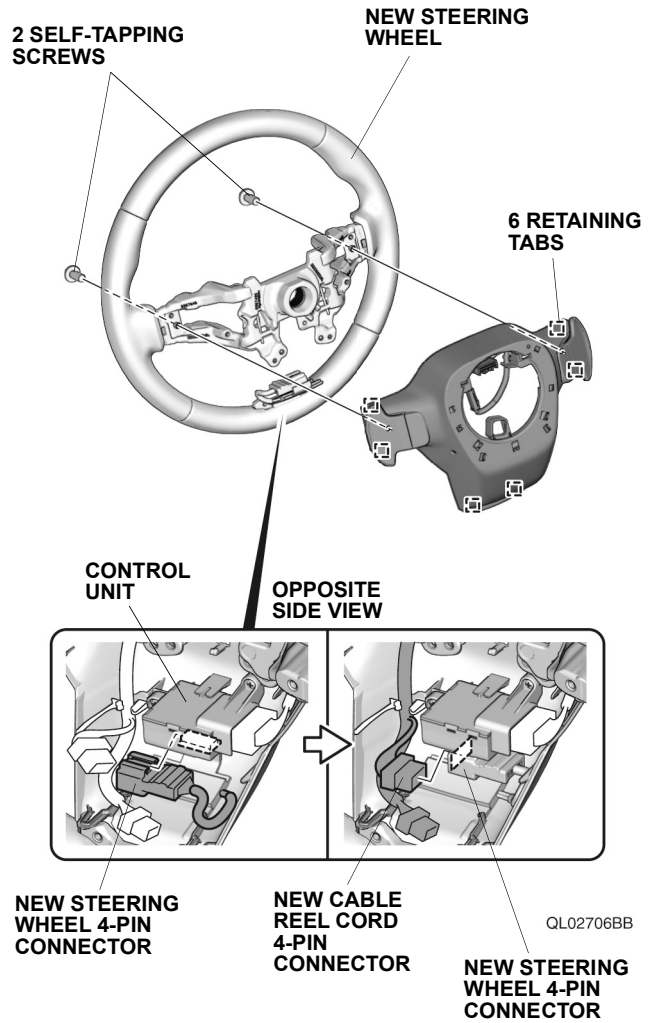
56. Plug-in the new cable reel cord connectors.



QL02705BB

57. Install the left and right paddle shifters.

58. Install the new steering wheel cover.



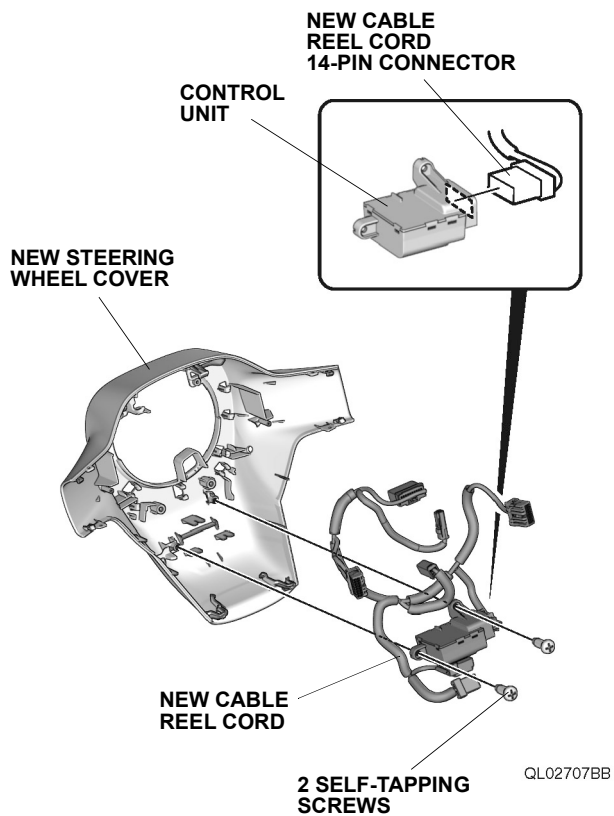
QL02706BB

59. Secure the new steering wheel connector.

60. Plug-in the new cable reel cord connector.

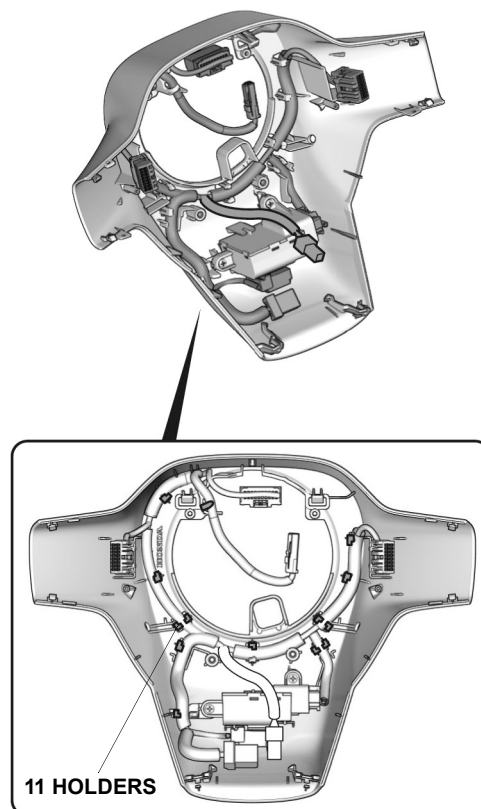
Go to step 67

61. Plug-in the new cable reel cord connector.

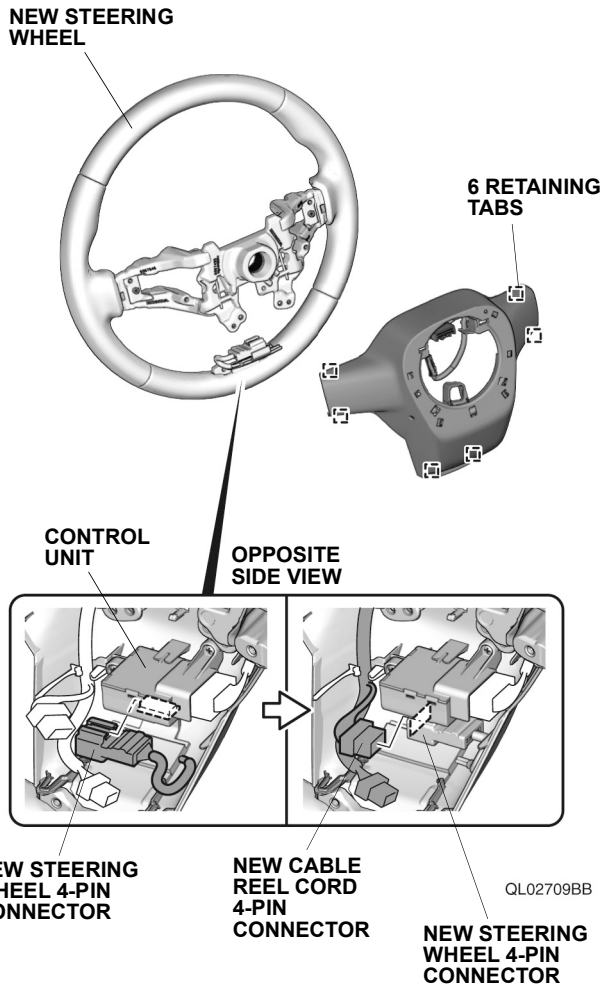


62. Install the control unit.

63. Secure the new cable reel cord.



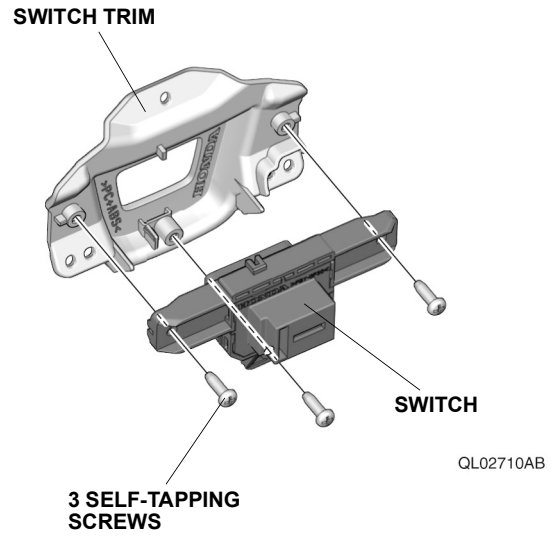
64. Install the new steering wheel cover.



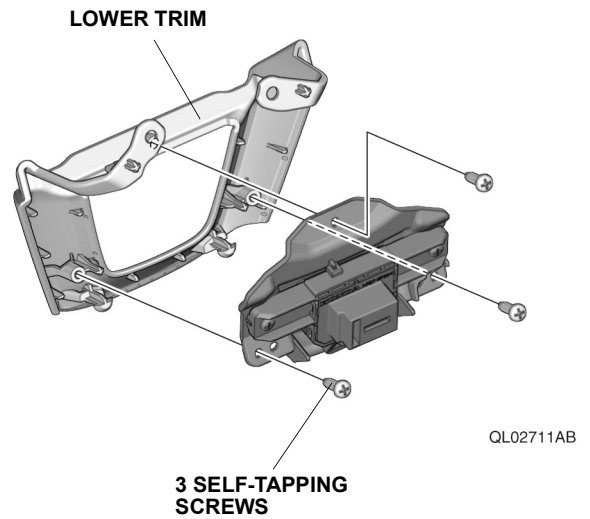
65. Secure the new steering wheel connector.

66. Plug-in the new cable reel cord connector.

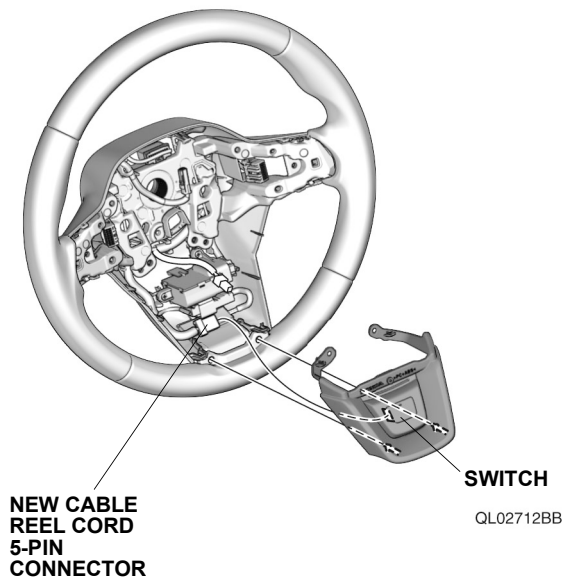
67. Install the switch.



68. Install the switch trim.

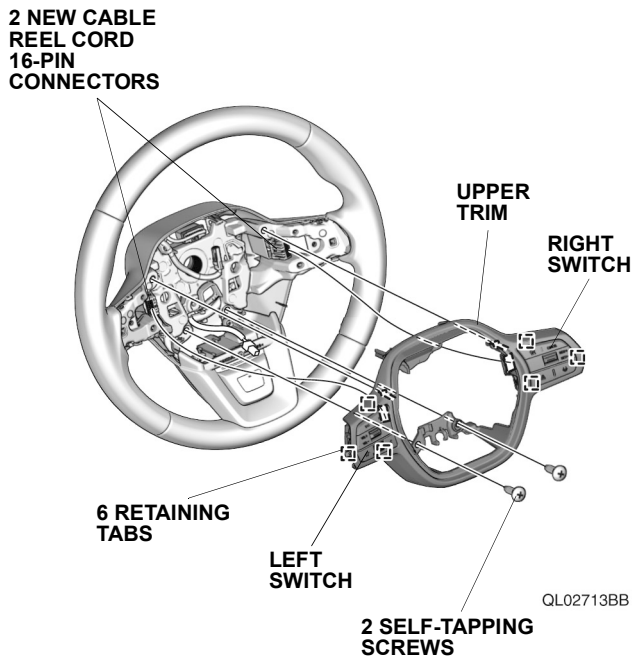


69. Plug-in the new cable reel cord connector.



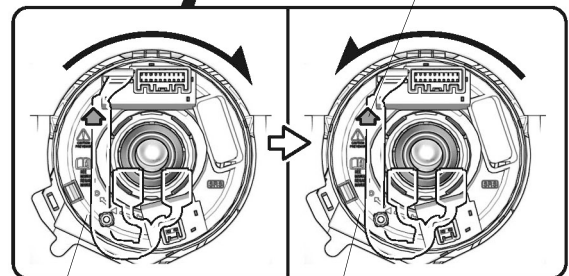
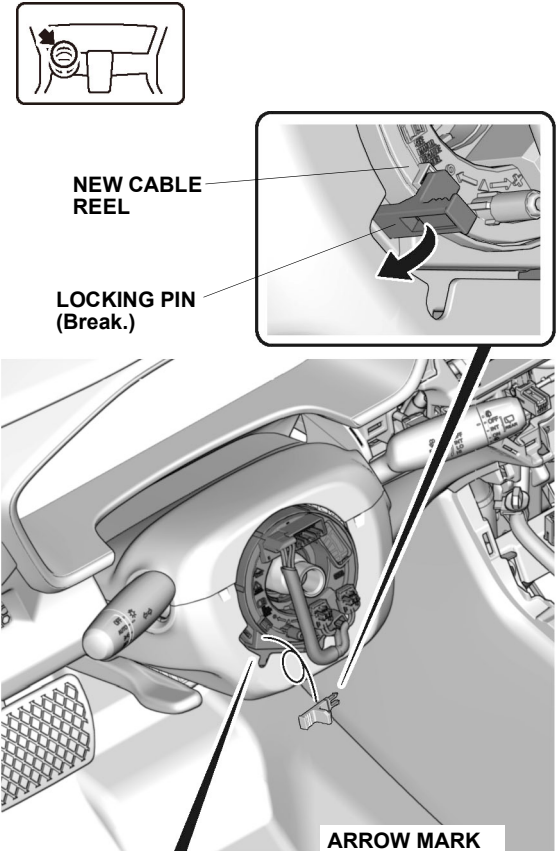
70. Install the lower trim.

71. Plug-in the new cable reel cord connectors.



72. Install the upper trim.

73. Remove the locking pin.



- 1 Rotate clockwise until it stops.
- 2 Rotate counterclockwise until the arrow mark on the new cable reel points up. QL02714BB
- 3 Rotate counterclockwise 2 full turns until the arrow mark points up.

74. Make sure the front wheels are pointing straight-ahead.
75. Rotate the new cable reel clockwise until it stops.
76. Rotate counterclockwise until the arrow mark on the new cable reel points up.
77. Rotate the new cable reel counterclockwise 2 full turns.

NOTE

The arrow mark on the cable reel should point straight up.

78. Install the new steering wheel.

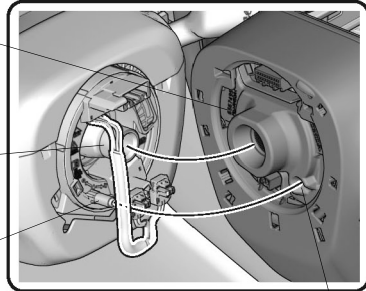
NOTICE

- Do not tap on the new steering wheel or the steering column shaft when installing the new steering wheel.
- Engage the new steering wheel hole with the pin of the new cable reel.
- Make sure the harness does not get caught.

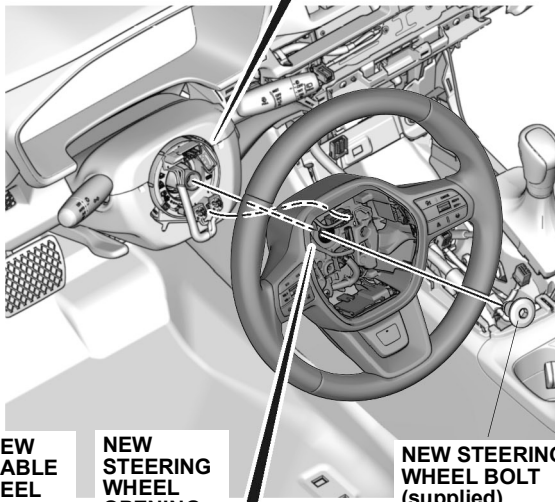
NEW STEERING WHEEL

STEERING COLUMN SHAFT

PIN



HOLE



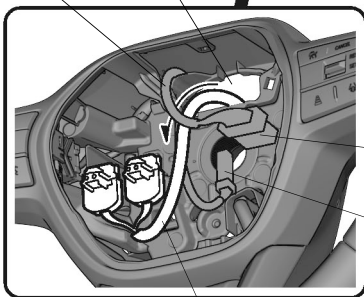
NEW CABLE REEL CORD

NEW STEERING WHEEL OPENING

NEW STEERING WHEEL BOLT (supplied)



36 lb-ft
(49 N·m)



20-PIN CONNECTOR

2-PIN CONNECTOR

NEW CABLE REEL 2-PIN CONNECTORS CORD
(Route under the new cable reel cord with 20-pin connector, and route over the new cable reel cord with 2-pin connector.)

QL02715BB

79. Install the new steering wheel bolt.

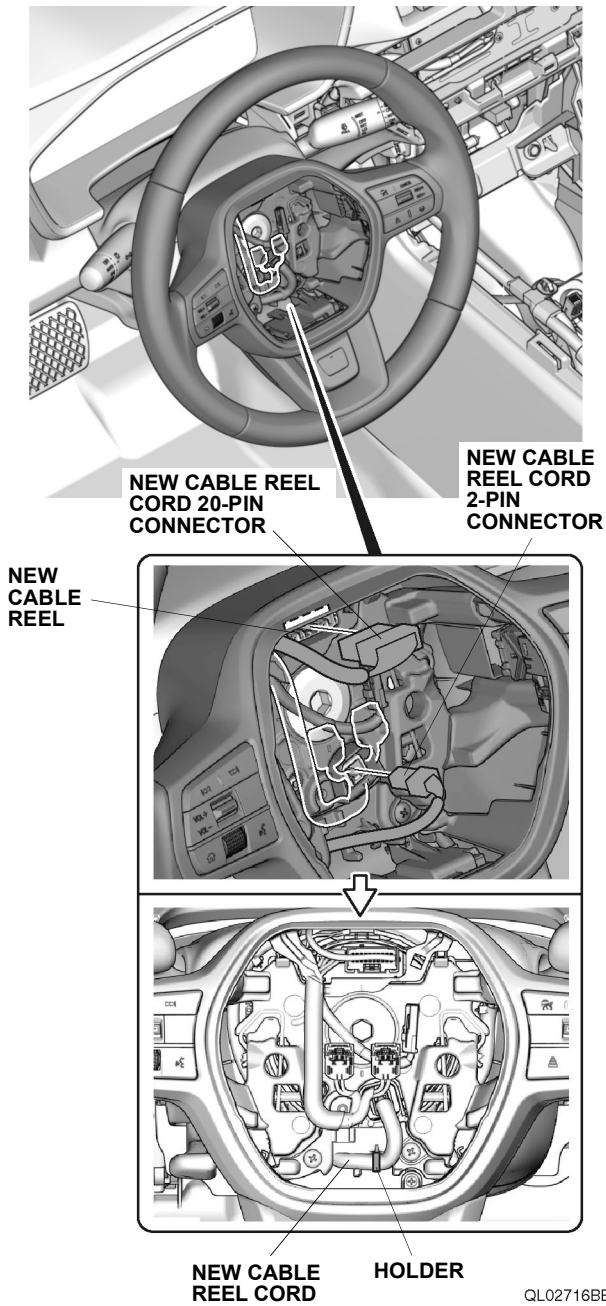
NOTICE

- Make sure the new steering wheel is in the straight-ahead position with the front wheels.
- Tighten to the specified torque within 5 minutes.

NOTE

Make sure to use the replacement steering wheel bolt provided in this kit.

80. Plug-in the new cable reel cord connectors.

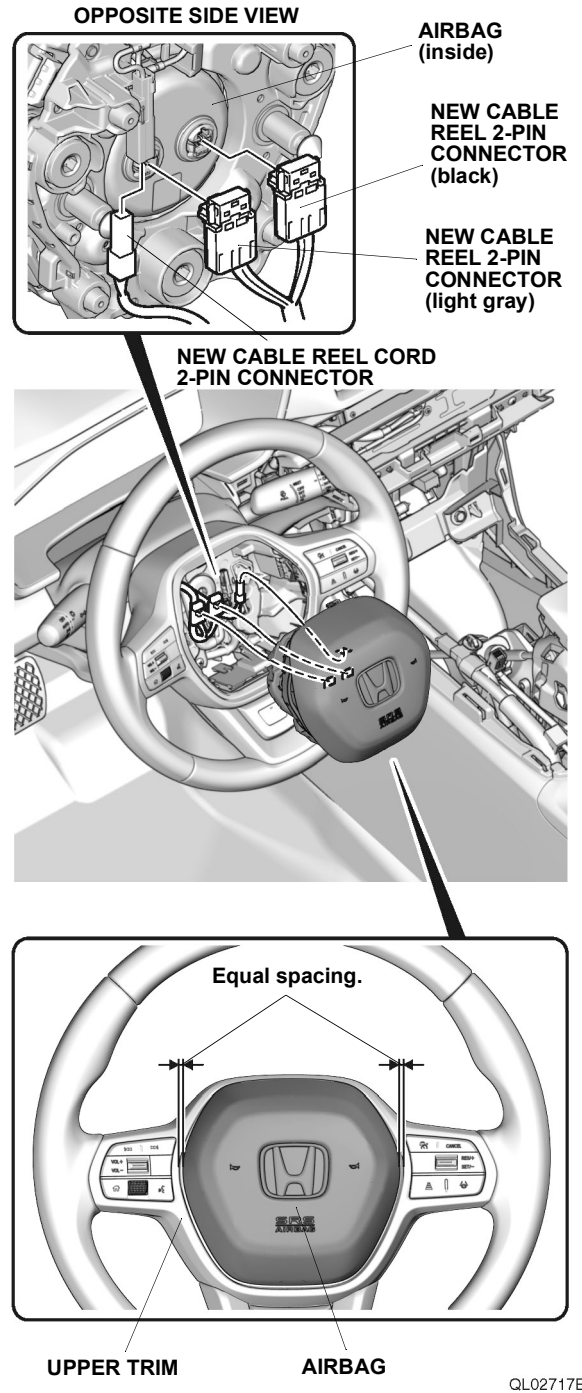


81. Secure the new cable reel cord.

82. Plug-in the new cable reel cord connector and new cable reel connectors.

NOTE

Make sure to correctly connect the connectors.



83. Install the airbag.

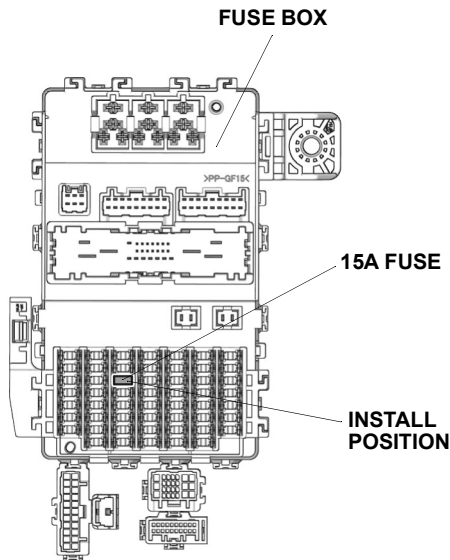
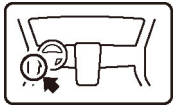
NOTE

Make sure to work with reference to the service information.

84. Install the 15A fuse.

NOTE

If the 15A fuse is already installed, do not install the fuse.

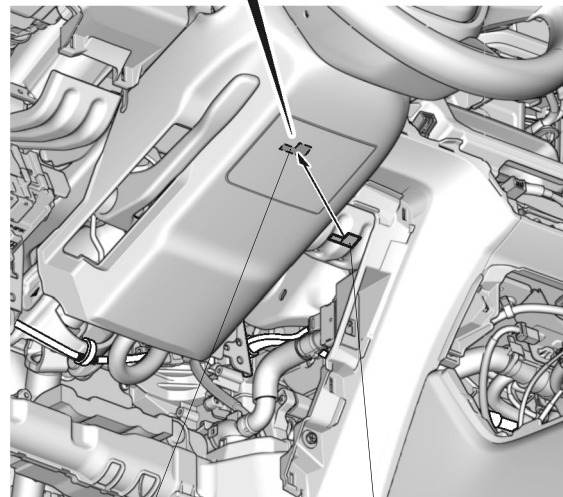
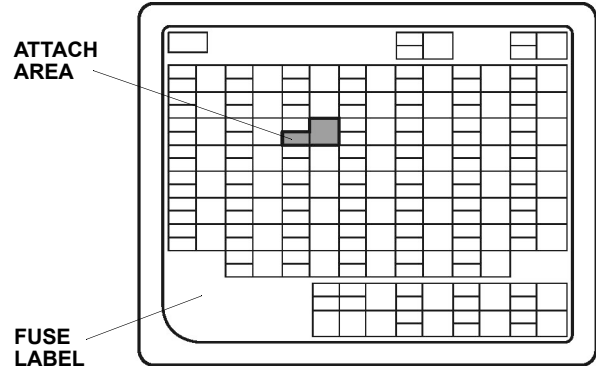
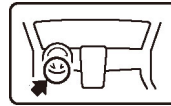


QL02012AB

85. Attach the fuse label.

NOTE

If the fuse label (15A) is already attached, do not attach the fuse label.



**FUSE LABEL
(15A HEATED STRG)**

QL02718BB

86. Check that all parts are installed and properly routed.

NOTE

- Check that all harnesses are not pulled or pinched.
- Make sure all clips and wire ties are securely installed.

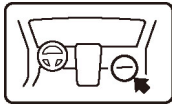
87. Install all removed parts.

<Installing the Passenger's Knee Airbag>

88. Install the passenger's knee airbag.

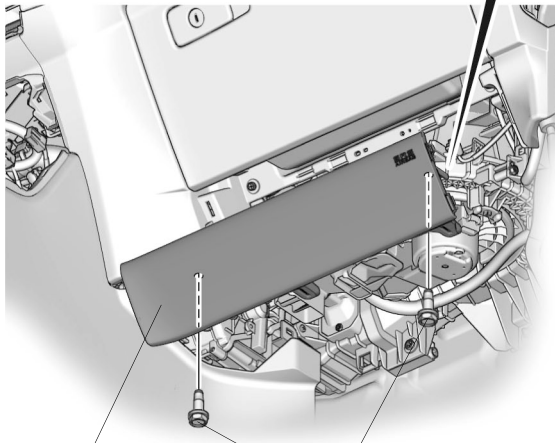
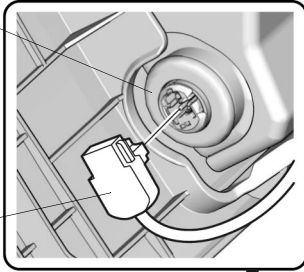
NOTE

Make sure to replace with the washer-bolt included in this kit.



AIRBAG

VEHICLE CONNECTOR



PASSENGER'S KNEE AIRBAG

2 WASHER-BOLTS (supplied)

QL01306AB

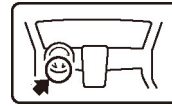
P lb-ft 5.1-11 lb-ft (6.9-14.4 N·m)

<Installing the Driver's Knee Airbag>

89. Install the driver's knee airbag.

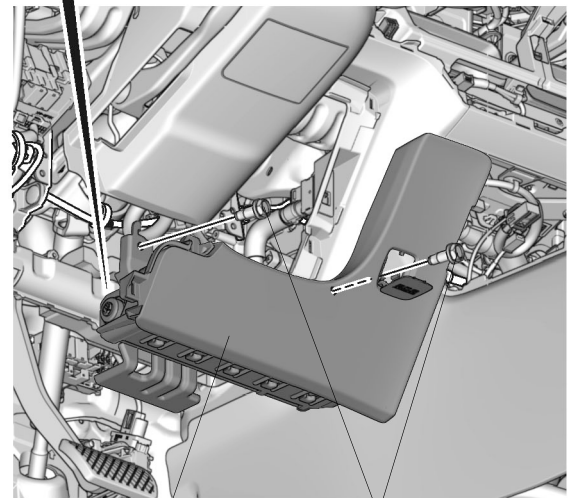
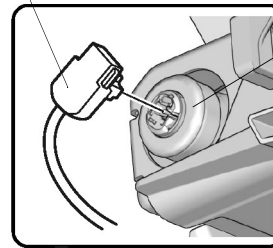
NOTE

Make sure to replace with the washer-bolt included in this kit.



VEHICLE CONNECTOR

AIRBAG



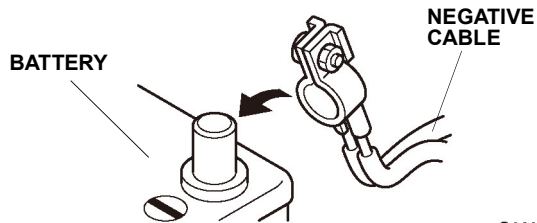
DRIVER'S KNEE AIRBAG

2 WASHER-BOLTS (supplied)

QM61301AA

P lb-ft 5.1-11 lb-ft (6.9-14.4 N·m)

90. Connect the negative cable to the battery.



91. Turn the engine switch (power switch) to ON; the SRS indicator should come on for about 6 seconds and then go off.
92. Make sure the horn and steering wheel switches work properly.
93. Rotate the new steering wheel and check for abnormal noise.
94. Make sure the new steering wheel is in the straight-ahead position with the front wheels. If the spoke angle of the new steering wheel is not in the straight-ahead position with the front wheels, adjust the front toe as described in the service information.
95. Make sure the accessory operates as described in the Accessory User's Information Manual or vehicle owner's manual.
96. Make sure all accessories and systems operate properly.
97. If necessary, restore the systems back to normal operation as described in the service information.
98. Press and hold the audio unit power button for 2 seconds to restore the audio and navi (if equipped) system functions.
99. Give the Accessory User's Information Manual to the customer.

Check/Restoration and Learning Operations

NOTE

Work referring to the service information.
--

100. Connect the i-HDS, and clear the DTCs if needed.