

## Type TGC DC Filter Capacitor

ASC™ TGC (Tangential Case) DC filtering capacitors are packaged in a unique mounting case with mounting tabs rotated away from the terminations. The case is a one piece molded construction with urethane/epoxy fill from the bottom of the case.

The low profile design of the case is conducive for lower inductance, lower ESR and higher RMS currents.



TGC

### General Specifications

\*Custom values available

Parameter	Value
Capacitance	13.0 μF – 350μF*
Tolerance	±3%, ±5%, ±10%, +10-5% – Special tolerance on request
Rated Voltage	600 – 3000 VDC*
Temperature Range (operational)	-40/85C (custom ratings available)
Temperature Range (storage)	-40/85C
RMS Current	Up to 75 Arms with temperature de-rating
Standards	IEC61071
Case	UL94 V-0 Plastic
Terminals	Male (M6 or M8), Female (M5-M8) tin plated brass
Fill Material	Urethane or Epoxy
Tan δ	$2 \times 10^{-4}$ Polypropylene
Terminal to Terminal Test	1.5 x Undc 10 seconds
Terminal to Case Test	$U_{T-CASE} = 2 U_1 + 1000V$ or 2000V whichever is highest value
Reliability	100 FIT

### Applications

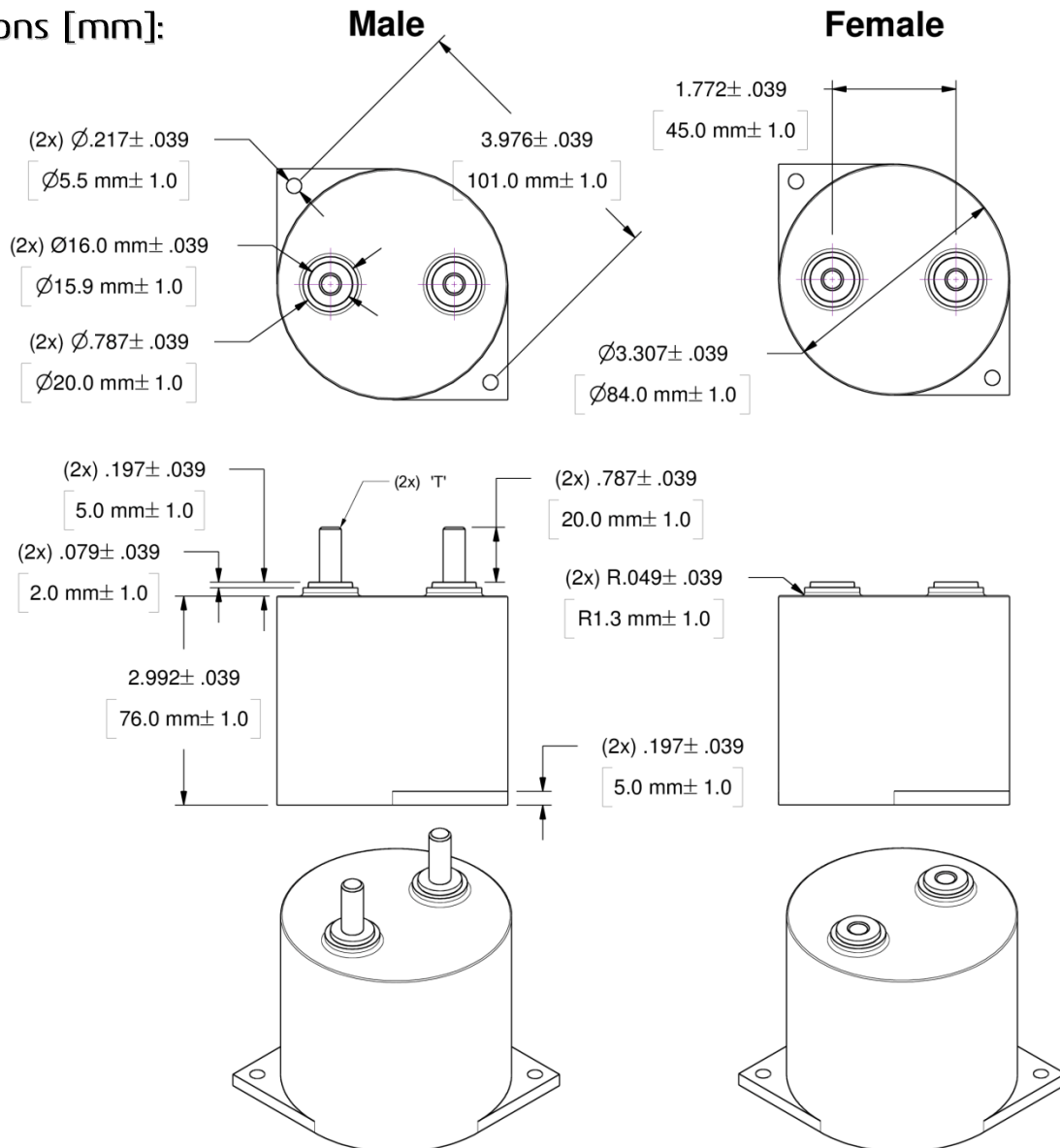
- DC Link for Electric Vehicles
- Wind Power
- Solar Power
- Motor Drive Inverters

TGC Specifications

\*\* Capacitance values represent maximum value in case for the given voltage

Voltage [VDC]	Cap** [ $\mu$ F]	$I_{RMS}$ (10 $^{\circ}$ $\Delta$ T) [ $A_{RMS}$ ]	$I_{PEAK}$ [kA]	$I_{SURGE}$ [kA]	$R_{th}$ C-E [ $^{\circ}$ C/W]	ESR (5kHz) [m $\Omega$ ]	Pieces / Box
600	350	35	0.7	5.0	3.8	1.8	10
850	260	35	0.7	5.0	3.7	2.0	10
1000	200	32	0.6	4.9	3.7	2.4	10
1250	130	30	0.6	4.0	3.7	3.0	10
1500	90	28	0.6	3.3	3.7	3.6	10
1750	65	25	0.5	2.8	3.7	4.3	10
2000	50	24	0.5	2.5	3.7	4.7	10
2250	32	21	0.4	2.0	3.7	5.9	10
3000	13	17	0.3	1.2	3.7	9.0	10

Dimensions [mm]:



Ordering Information:

Type	Capacitance	Tolerance	Voltage	Terminals "T"
TGC	13	5 = ±5%	600	F5 = Female M5
	↕	10 = ±10%	↕	F6 = Female M6
	350		3000	F8 = Female M8
				M6 = Male M6
				M8 = Male M8

Examples:	Order Code
Type TGC, 200uF ±5%, 1000 VDC, Male M8 Terminals	TGC 200-5-1000 M8
Type TGC, 50uF ±10%, 2000 VDC, Female M6 Terminals	TGC 50-10-2000 F6

TGC