

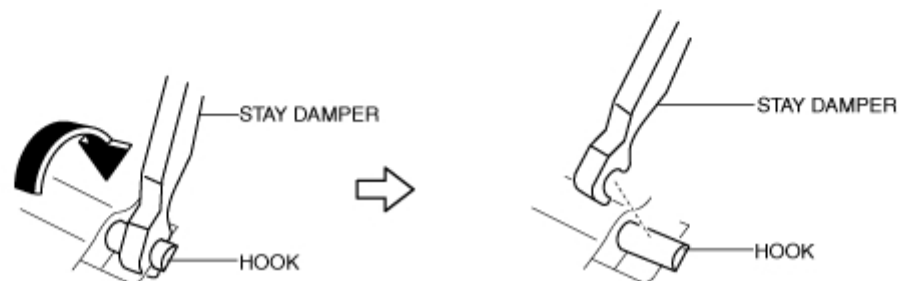
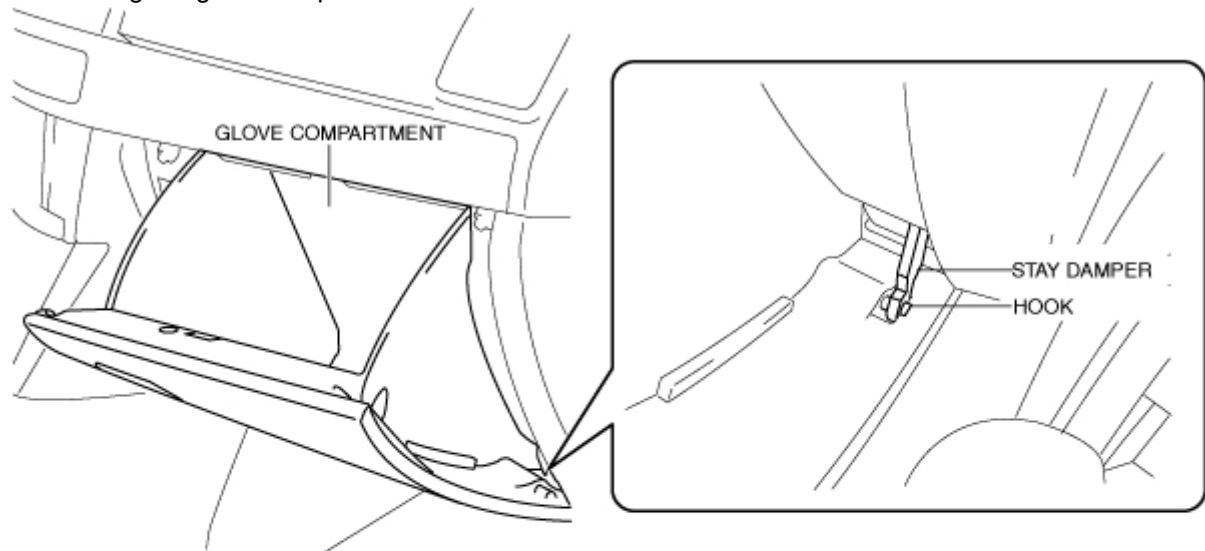
GLOVE COMPARTMENT REMOVAL/INSTALLATION

id091700800700

1. Pull the stay damper in the direction of the arrow shown in the figure and remove the hook.

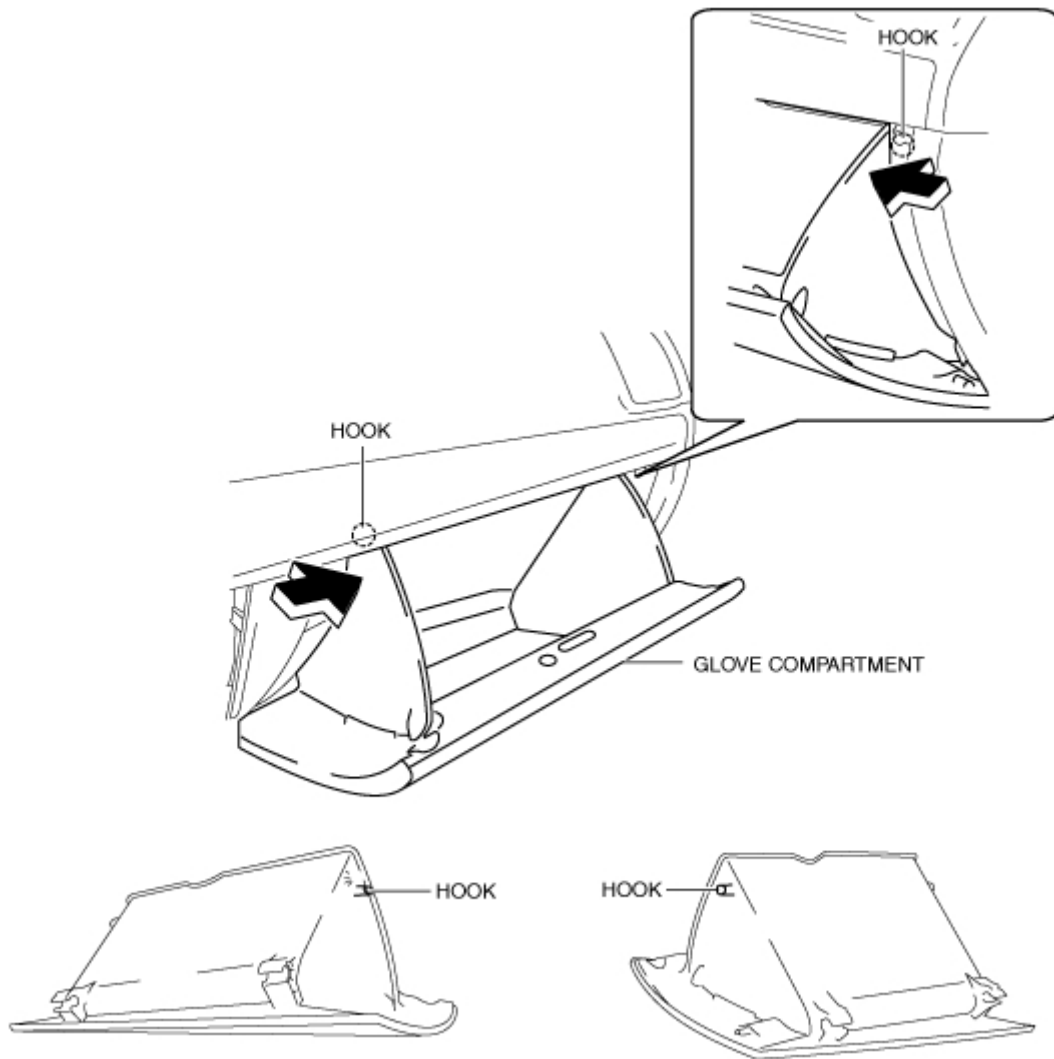
Caution

- If the glove compartment is closed without being joined to the stay damper, the stay damper may be damaged. Verify that the stay damper is joined to the glove compartment before closing the glove compartment.



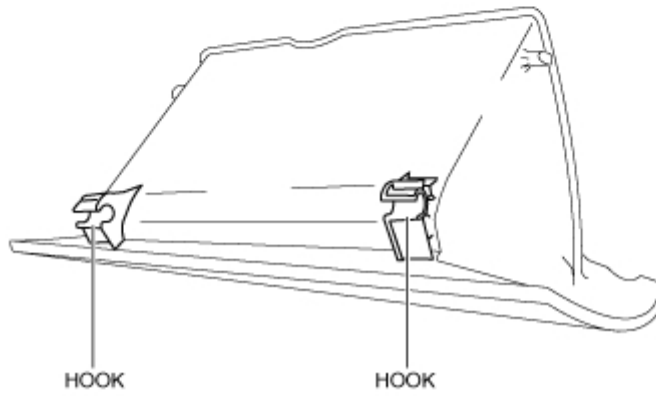
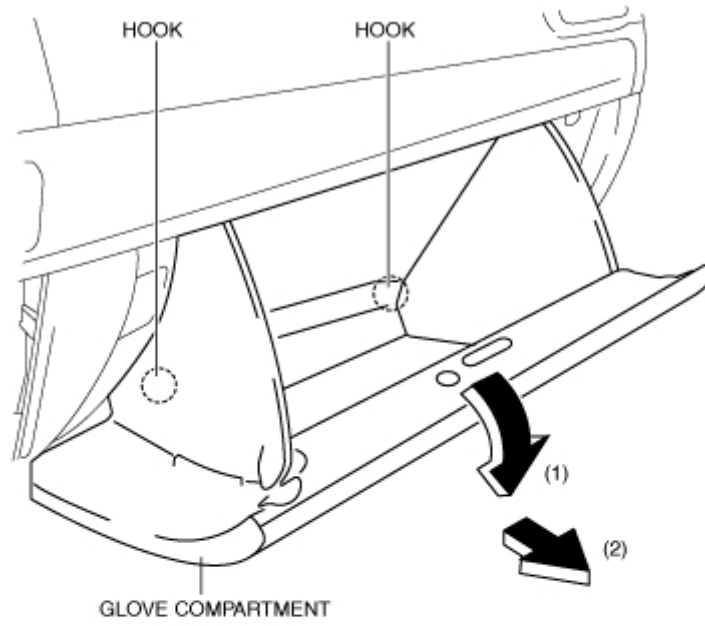
ac5uuw00004293

2. Push the glove compartment in the direction of the arrow and remove hooks.



ac5uuw00004294

3. Pull down the glove compartment in the direction of the arrow (1).



ac5uuw00004295

4. Pull the glove compartment in the direction of the arrow (2) and remove it while detaching hooks.
5. Install in the reverse order of removal.