
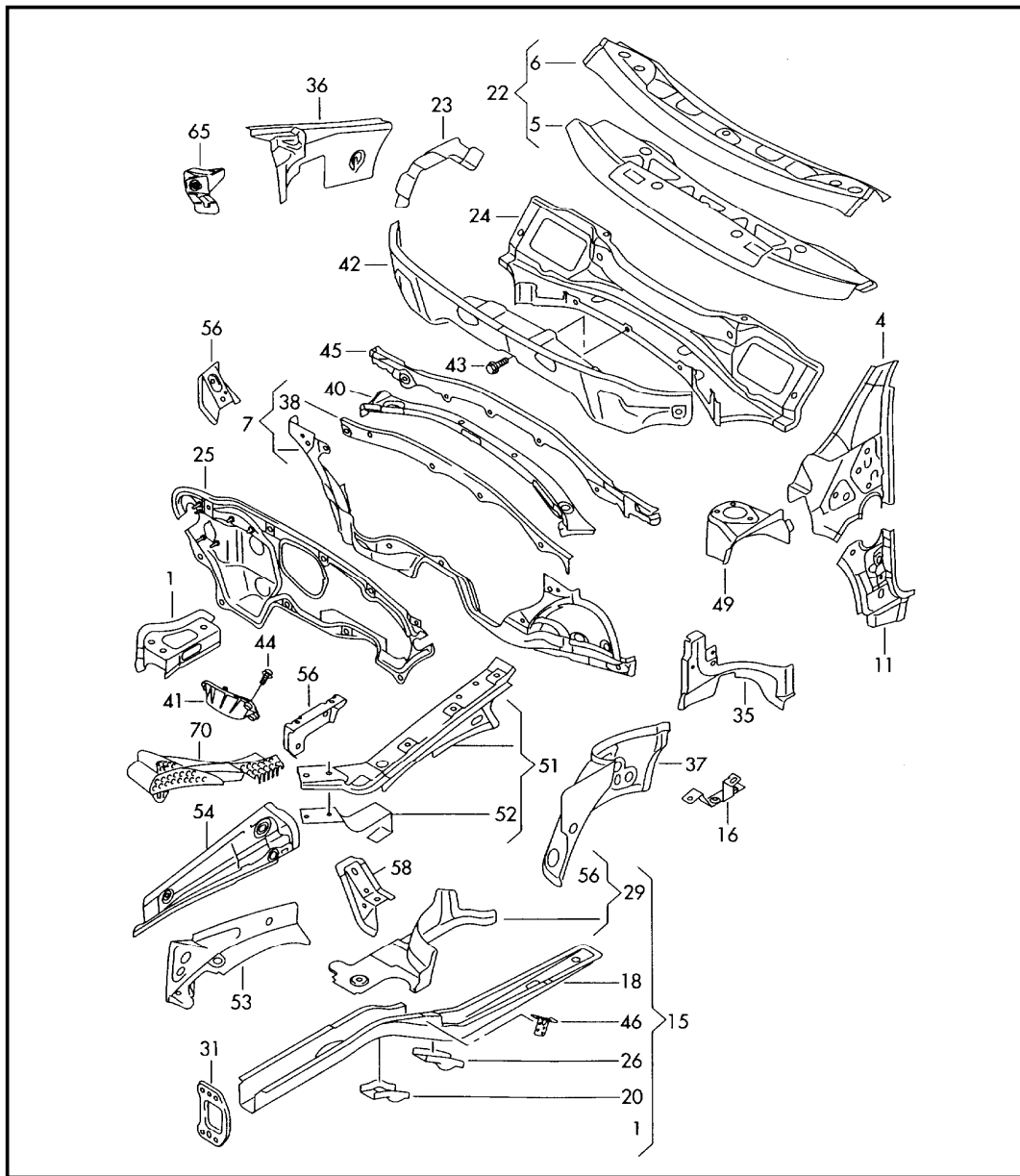




Model	Year	MG	SG	Illustration	Restrictions	UPD	21:54	04.12.2006		ETKA
GO	2007	8	03	803-00	Rabbit/GTI	597	USA			

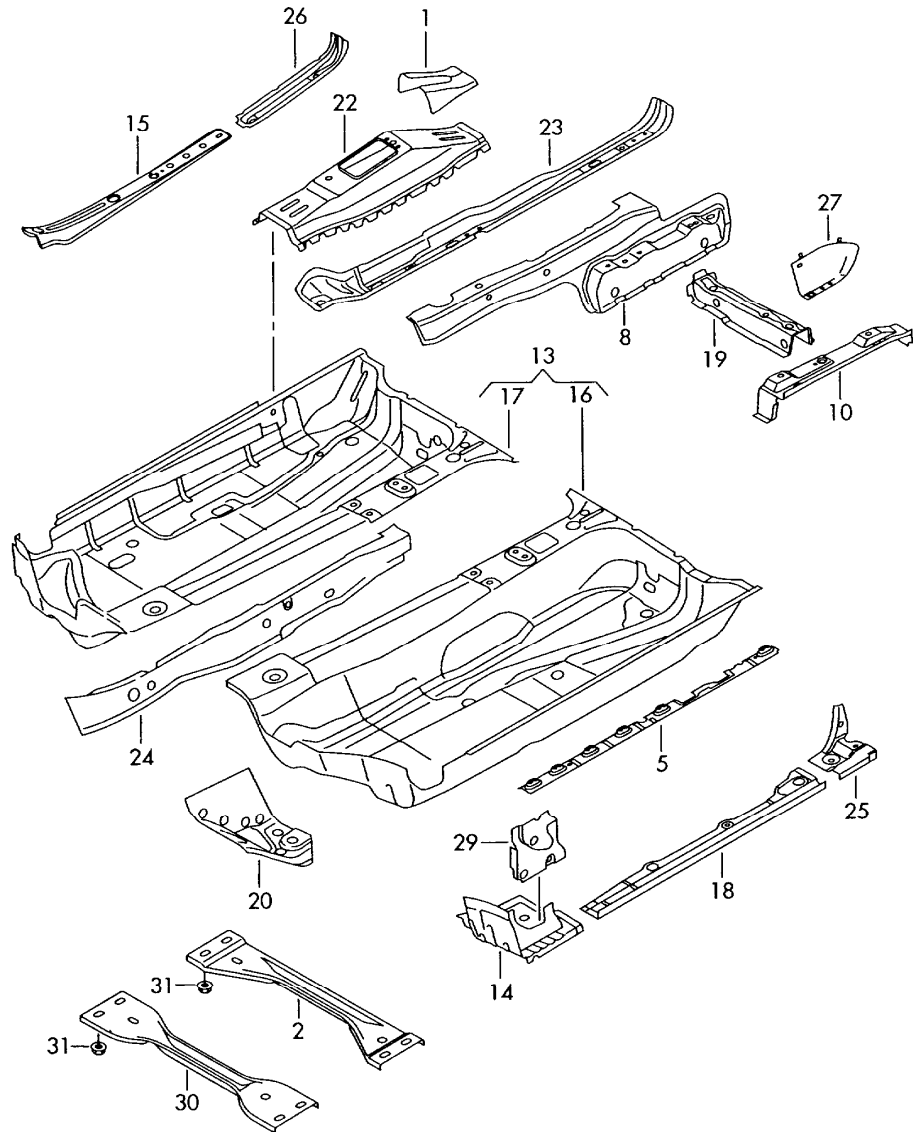


Pos	Part Number	Name	Remarks	Qty	Model
		side member wheel housing	front front		
-	D 007 600 A1	inox-spray	400ML	1	
-	D 007 500 A2	zinc spray	400ML	1	
		servicing materials			
-	N 909 655 01	threaded pin		1	
-	N 908 895 01	threaded bolt	M6X17-GK	5	
-	1J0 971 240 B	weld stud	M8X18	1	
1	1K0 802 068	engine mounting bracket	right	1	
4	1K6 802 123	pillar a inner	left upper	1	
(4)	1K6 802 124	pillar a inner	right upper	1	
5	1K0 803 163	cross member		1	
6	1K0 802 163	cross member for front panel		1	
7	1K0 802 165 A	frame for cross panel	front	1	
11	1K0 802 623	pillar a inner	left lower	1	
(11)	1K0 802 624	pillar a inner	right lower	1	
15	1K0 803 091 B	side member with reinforcement and welded nut	left front	1	
(15)	1K0 803 092 A	side member with reinforcement and welded nut	right front	1	
18	1K0 803 105 B	side member can be used as a section part	left front	1	
(18)	1K0 803 106 C	side member can be used as a section part	right front	1	
20	1K0 803 127	retainer for sub frame	left front	1	
(20)	1K0 803 128	retainer for sub frame	right front	1	
(23)	1K0 803 177	filler plate	left	1	
23	1K0 803 178	filler plate	right	1	
24	1K0 805 422 C	cross panel water box	upper rear	1	
-	1K0 941 369	cover water box		1	


Model	Year	MG	SG	Illustration	Restrictions	UPD	21:54	04.12.2006		ETKA
GO	2007	8	03	803-00	Rabbit/GTI	597	USA			

Pos	Part Number	Name	Remarks	Qty	Model	Pos	Part Number	Name	Remarks	Qty	Model
25	1K1 804 011 M	cross panel	lhd	1		(51)	1K0 809 146	side member for wheel housing documentation requiremet	right upper	1	
(25)	1K1 804 011 N	cross panel for vehicles with air condit.	lhd	1				see parts bulletin: * dealership obligation: * obligatory section of docu- * mentation. when selling, a * copy of the vehicle * registration documents and * personal identity document * must be kept for five years * as proof!!	8/162 V.10/98		
26	1K0 804 055 A	retainer for sub frame	left rear	1							
(26)	1K0 804 056	retainer for sub frame	right rear	1							
29	1K0 804 105 A	cover plate for cross member	left front	1							
(29)	1K0 804 106 A	cover plate for cross member	right front	1							
31	1K0 804 181 A	cover plate	left front	1		53	1K0 810 135 B	side member	left upper	1	
(31)	1K0 804 182 B	cover plate	right front	1		(53)	1K0 810 136 B	side member	right upper	1	
35	1K0 805 029 B	end plate	left	1		54		not a spare part for this model			
36	1K0 805 088	filler plate	right	1		56	1K0 810 812	retainer for engine carrier	right	1	
37	1K0 805 147	wheel housing	left front	1		(56)	1K0 810 811	mounting bracket for gearbox	left	1	
(37)	1K0 805 148	wheel housing	right front	1		65	1K0 823 402 A	mounting for gas-filled strut		1	
38	1K0 805 265 A	water box UNTERTEIL	lower	1		70		see illustration:	201-25 POSI.3 201-40 POSI.5		
40	1K0 805 364	reinforcement for water box		1							
42	1K0 805 275	water box		1							
-	1C0 819 142	gasket		1							
43	N 905 330 05	bolt, hex. hd. (combi.)	M6X20	3							
- +	N 901 686 04	speed nut	M6X16X24	3							
44	N 908 331 01	innensechsrund-linsenschraube	M6X10	3							
46	1K0 611 845 B	bracket for brake hose	left	1							
(46)	1K0 611 846 B	bracket for brake hose	right	1							
49	1K0 809 121 A	suspension strut mount	left	1							
(49)	1K0 809 122 A	suspension strut mount	right	1							
51	1K0 809 145	side member for wheel housing	left upper	1							


Model	Year	MG	SG	Illustration	Restrictions	UPD	21:54	04.12.2006		ETKA
GO	2007	8	03	803-10	Rabbit/GTI	597	USA			

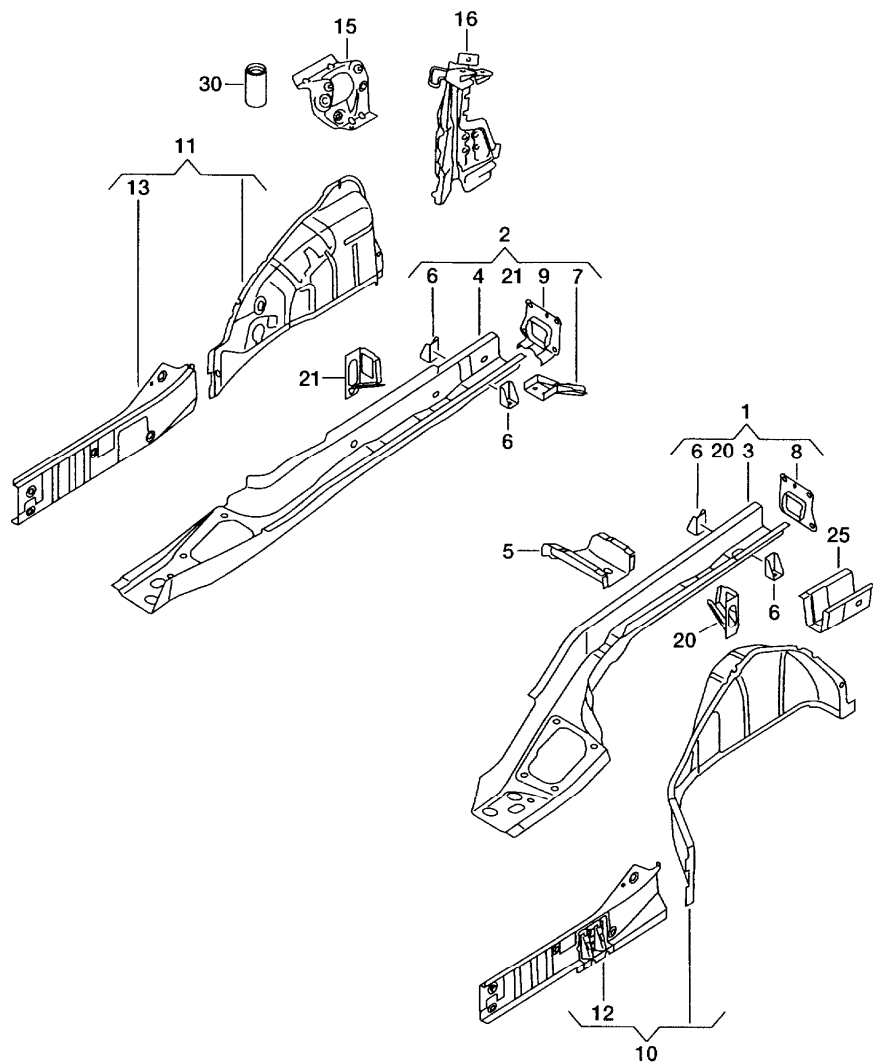


Pos	Part Number	Name	Remarks	Qty	Model	
		floor pan	front	1		
		* dealership obligation: * obligatory section of docu- * mentation. when selling, a * copy of the vehicle * registration documents and * personal identity document * must be kept for five years * as proof!!				
-	D 007 600 A1	inox-spray servicing materials	400ML	1		
-	D 007 500 A2	zinc spray servicing materials	400ML	1		
-	N 906 547 03	threaded pin	FD-M6X18	X		
2	1K0 802 128 C	reinforcement for tunnel	rear	1		
5	1K0 802 307 A	reinforcement for side member	left	1		
(5)	1K0 802 308 A	reinforcement for side member	right	1		
8	1K0 802 381 B	mounting seat support	left inner	1		
(8)	1K0 802 382 B	mounting seat support	right inner	1		
10	1K0 802 569 B	mounting plate seat support	left outer	1		
(10)	1K0 802 570 B	mounting plate seat support documentation requiremet see parts bulletin:	right outer	1		
(10)	1K0 802 570 C	mounting plate seat support documentation requiremet see parts bulletin:	right outer	1	8/162 V.10/98	
13	1K0 803 073 A	floor pan	front	1		
14	1K0 803 097 A	connecting piece	left	1		
(14)	1K0 803 098 A	connecting piece	right	1		
16	1K0 803 205	sectional part - floor plate	left front	1		
17	1K0 803 206	sectional part - floor plate	right front	1		
18	1K0 803 225 A	cover plate	left	1		
(18)	1K0 803 226 A	cover plate	right	1		


Model	Year	MG	SG	Illustration	Restrictions	UPD	21:54	04.12.2006		ETKA
GO	2007	8	03	803-10	Rabbit/GTI	597	USA			

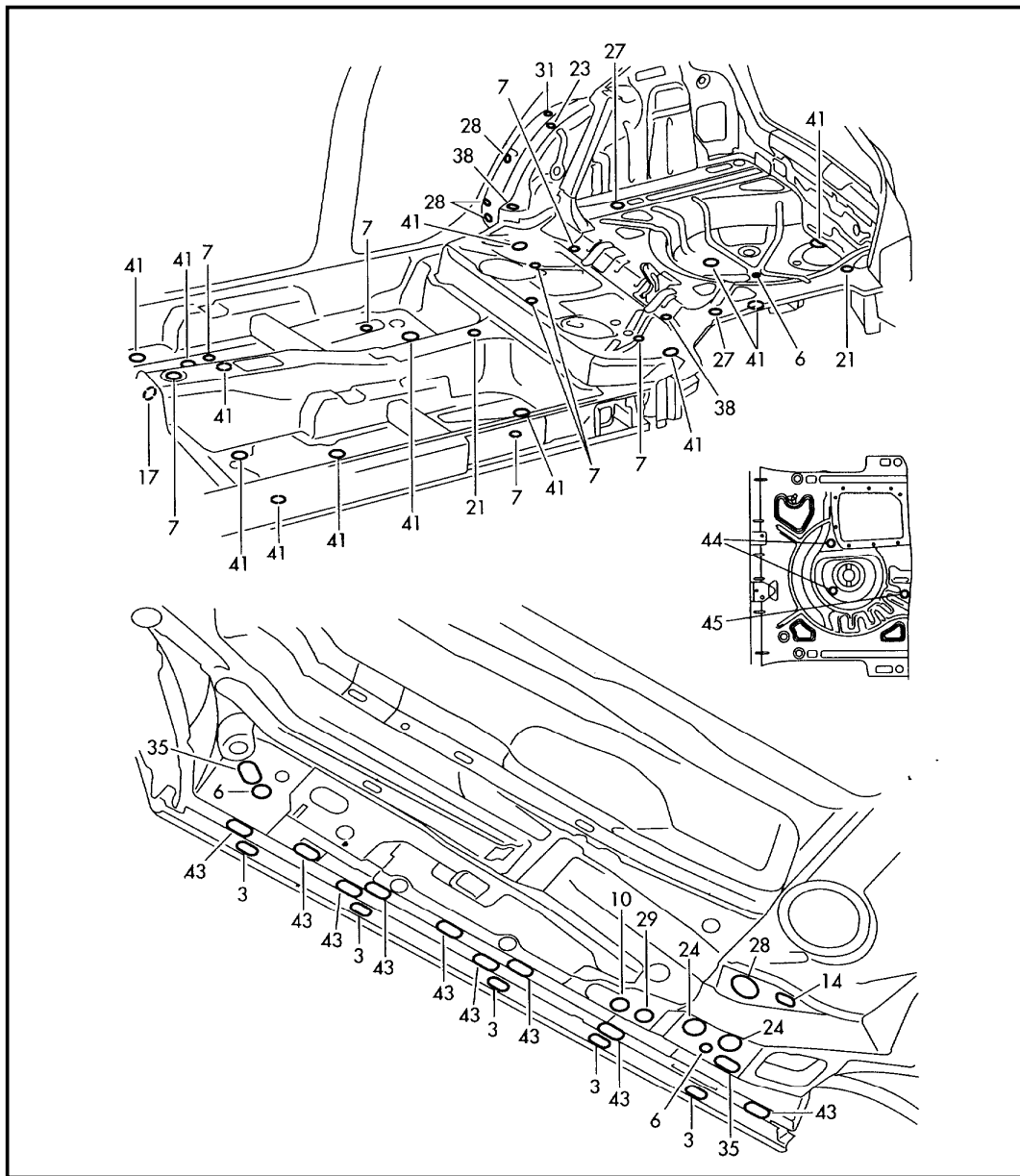
Pos	Part Number	Name	Remarks	Qty	Model	Pos	Part Number	Name	Remarks	Qty	Model
19	1K0 803 233 A	seat support	left	1							
(19)	1K0 803 234 A	seat support	right	1							
20	1K0 803 489 A	reinforcement for floor plate	left front	1							
23	1K0 803 561	reinforcement for tunnel	left	1							
(23)	1K0 803 562	reinforcement for tunnel	right	1							
25	1K0 804 213	intermediate plate side member	left	1							
(25)	1K0 804 214	intermediate plate side member	right	1							
(26)	1K0 804 455	side member extension	left	1							
26	1K0 804 456	side member extension	right	1							
29	1K0 804 797 A	corner panel	left front	1							
(29)	1K0 804 798 A	corner panel	right front	1							
30	1K0 804 421 C	reinforcement for tunnel	front	1							
31	N 907 611 01	shouldered hex. nut	M8	8							

Model	Year	MG	SG	Illustration	Restrictions	UPD	21:54	04.12.2006		ETKA
GO	2007	8	03	803-20	Rabbit/GTI	597	USA			




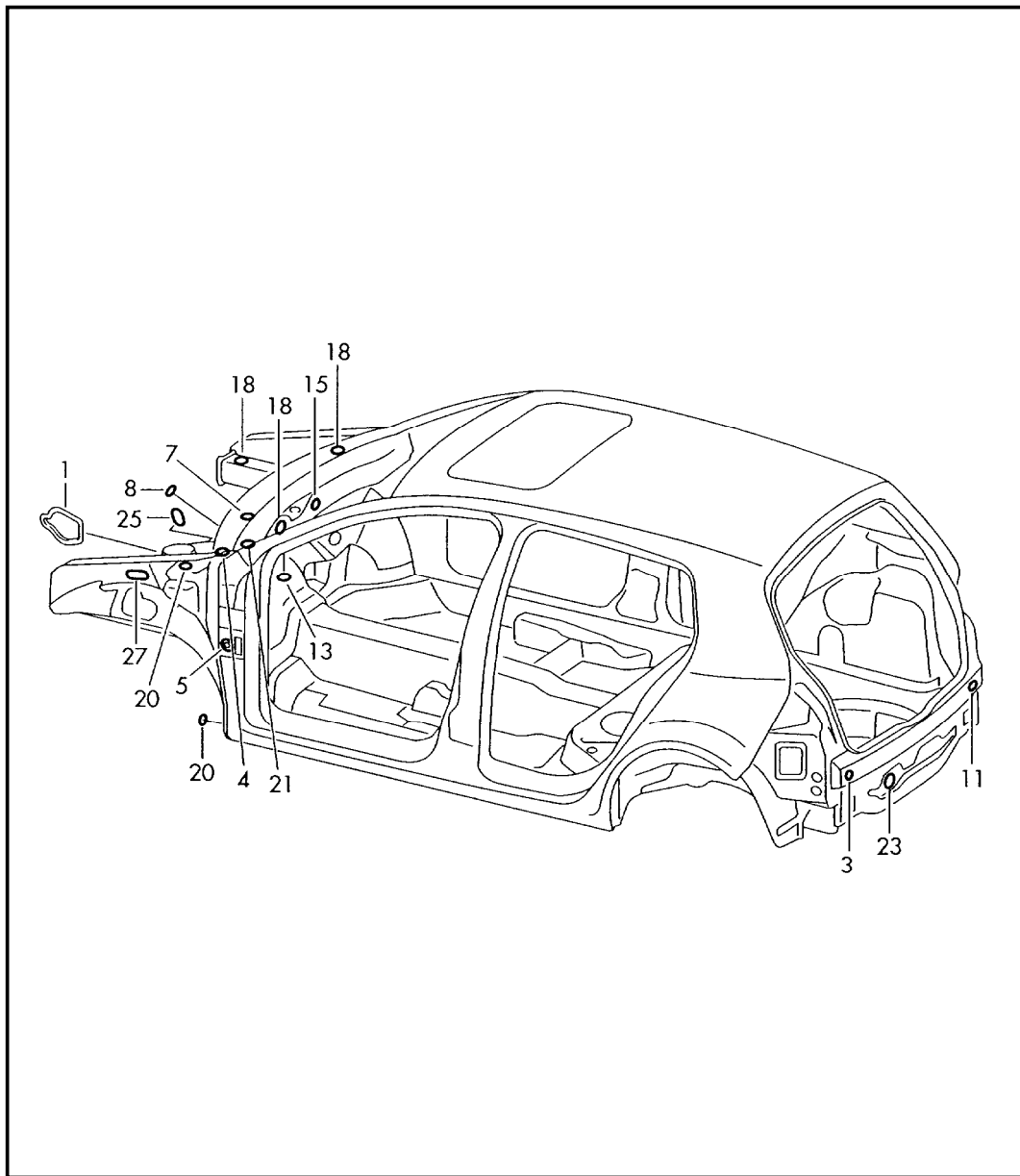
Pos	Part Number	Name	Remarks	Qty	Model
		side member	rear		
		wheel housing inner part			
-	D 007 600 A1	inox-spray servicing materials	400ML	1	
-	D 007 500 A2	zinc spray servicing materials	400ML	1	
(1)	1K6 803 501 D	side member with reinforcement and welded nut	left rear	!	
(2)	1K6 803 502 D	side member with reinforcement and welded nut	right rear	!	
3	1K0 803 505	side member can be used as a section part	left rear	1	
4	1K0 803 506	side member can be used as a section part	right rear	1	
5	1K6 804 795	cross reinforcement spare wheel well	left	1	
6	1K0 803 545 A	bracket for exhaust system	left a. right	2	
7	1K0 803 612	mounting for tow eye	right	1	
8	1K0 804 473	end plate for side member	left rear	1	
9	1K0 804 474	end plate for side member	right rear	1	
		wheel housing inner part			
10	1K6 809 851 A	wheel housing	left inner	1	
11	1K6 809 852 B	wheel housing	right inner	1	
12	1K0 813 087	bracket	left	1	
13	1K0 813 088	bracket	right	1	
(15)	1K0 802 191	suspension strut mounting	left rear	1	
15	1K0 802 192	suspension strut mounting	right rear	1	
(16)	1K6 802 951 C	reinforcement with bracket for backrest	left	1	
16	1K6 802 952 C	reinforcement with bracket for backrest	right	1	

Model	Year	MG	SG	Illustration	Restrictions	UPD	21:55	04.12.2006		ETKA
GO	2007	8	03	803-35	Rabbit/GTI	597	USA			




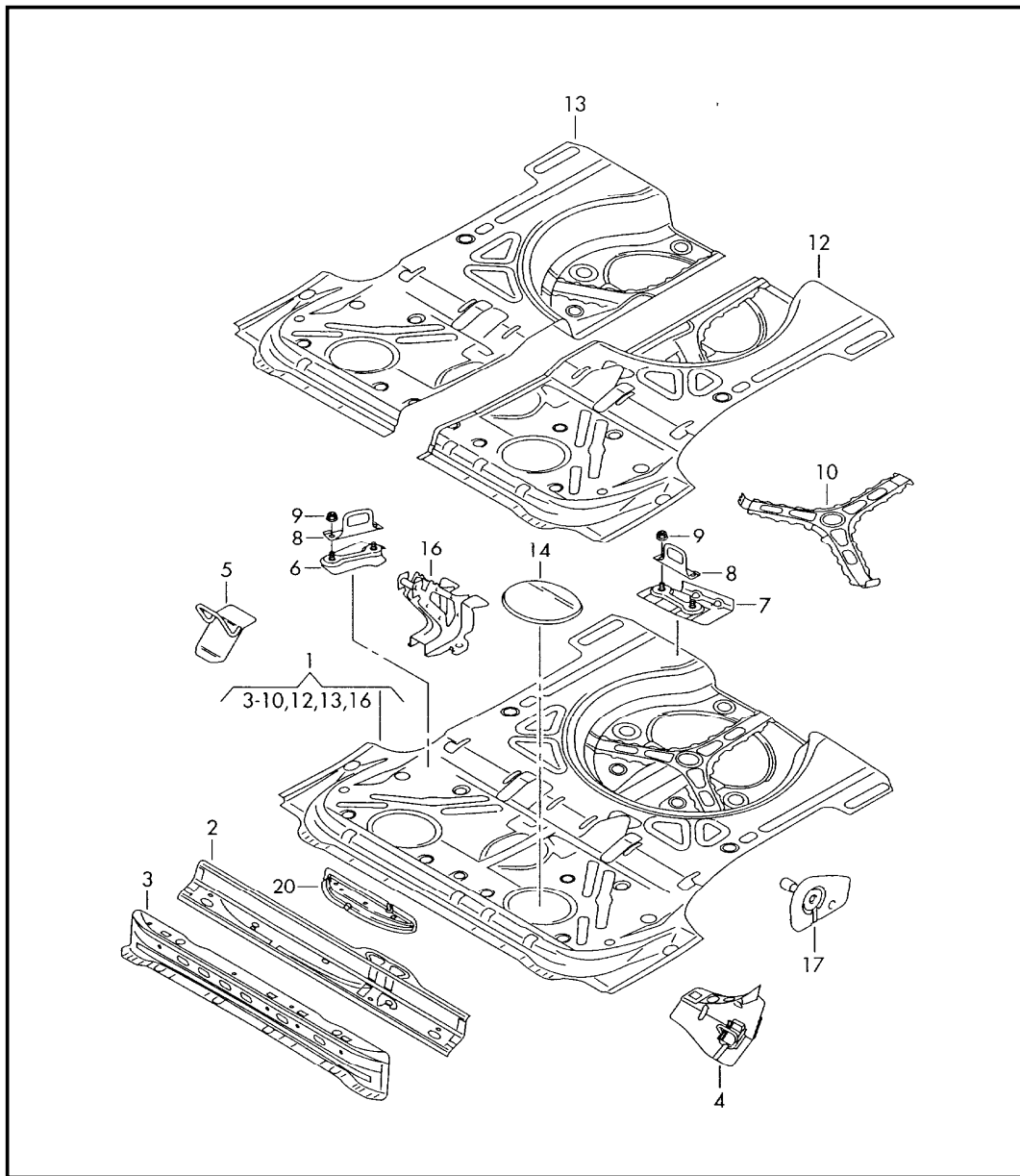
Pos	Part Number	Name	Remarks	Qty	Model
		plug for floor			
3	1K0 803 583 A	plug	15X40	X	
6	443 803 583 M	drain valve	14,5	X	
7	1K0 899 183	plug	20MM	X	
10	893 803 593	drain tube grommet	19,8	X	
14	6K0 813 583	plug	12,5X18,5	X	
17	1K0 819 425	blind cover	26MM	X	
(21)	1K0 899 184	plug	20X25	X	
23	191 971 908 B	plug	19,5	X	
24	N 101 388 01	sealing cap	A30	X	
27	N 102 265 01	plug	A30	X	
28	N 906 527 01	plug	40MM	X	
29	N 102 267 01	plug	A20	X	
31	N 102 497 01	plug	15	X	
35	N 905 088 01	sealing cap	B25X45	X	
38	N 906 300 01	plug	20X30	X	
41	N 906 527 01	plug	40MM	X	
43	N 910 550 01	plug	B18X45	X	
(43)	N 911 355 01	plug	B15,5X42,5	X	
44	N 908 572 02	plug	26X36X6,25	X	
45	7L0 899 184	plug	20X25	X	

Model	Year	MG	SG	Illustration	Restrictions	UPD	21:55	04.12.2006		ETKA
GO	2007	8	03	803-36	Rabbit/GTI	597	USA			




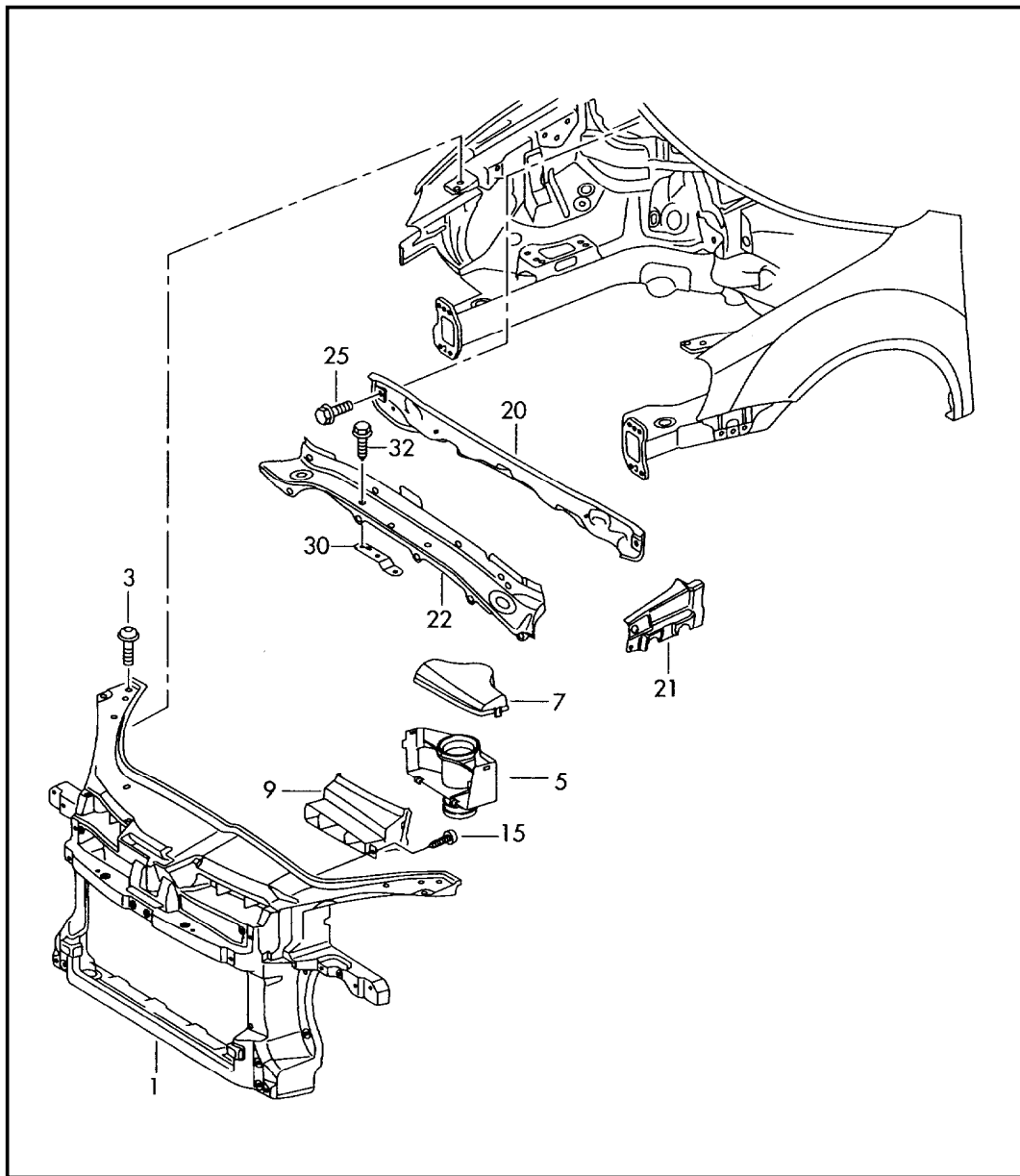
Pos	Part Number	Name	Remarks	Qty	Model
		plug body shell			
1	8D0 803 583 H	plug (hot melt adhesive)	19,8	X	automatic
3	7L0 899 184	plug	20X25	X	
4	811 803 593	plug	46X30	X	
5	893 803 593 A	plug	20	X	
7	1K0 823 591 B	grommet		X	
8	3D0 823 591	grommet	18MM	X	
11	7L0 899 184	plug	20X25	X	
13	1K0 955 493 A	grommet		X	
15	191 971 908 B	plug	19,5	X	
18	N 102 265 01	plug	A30	X	
(18)	191 807 196	plug	15	X	
20	N 102 497 01	plug	15	X	
21	N 905 088 01	sealing cap	B25X45	X	
23	N 906 527 01	plug	40MM	X	
25	N 910 412 01	sealing cap	30X55MM	X	
27	N 910 550 01	plug	B18X45	X	
-	1K0 723 753	plug clutch pedal mechanism		X	automatic

Model	Year	MG	SG	Illustration	Restrictions	UPD	21:55	04.12.2006		ETKA
GO	2007	8	03	803-50	Rabbit/GTI	597	USA			




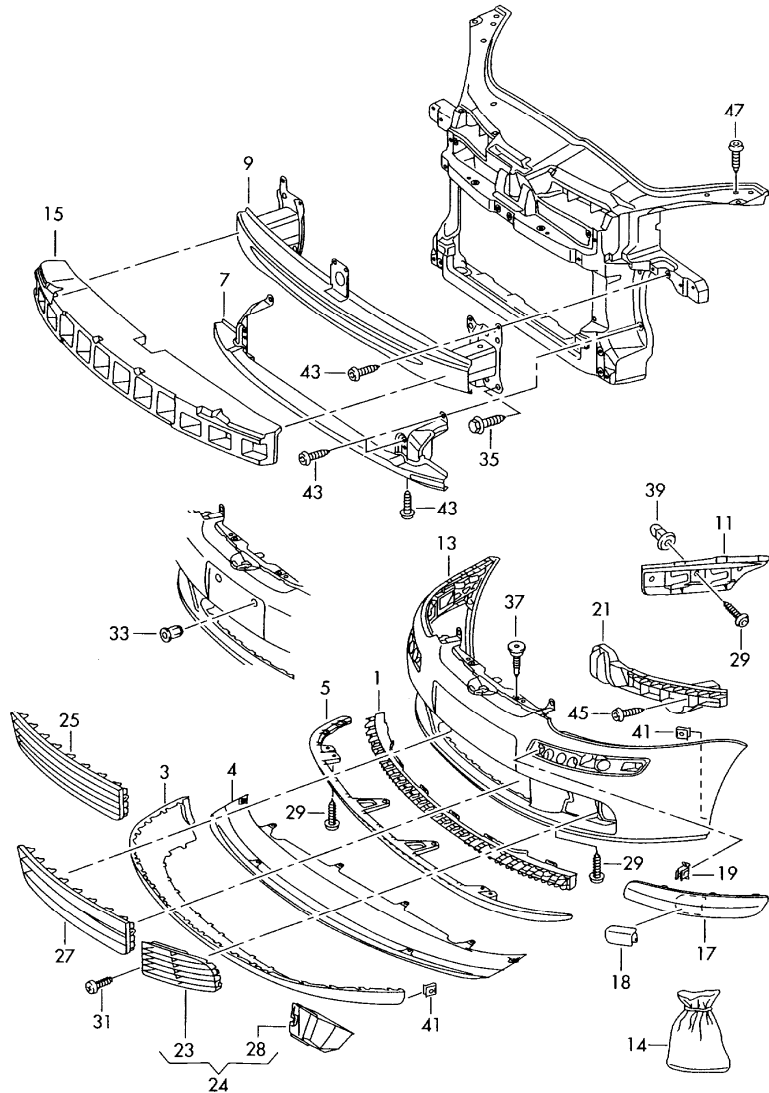
Pos	Part Number	Name	Remarks	Qty	Model
		floor pan * dealership obligation: * obligatory section of docu- * mentation. when selling, a * copy of the vehicle * registration documents and * personal identity document * must be kept for five years * as proof!!	rear		
-	D 007 600 A1	inox-spray	400ML	1	
-	D 007 500 A2	zinc spray	400ML	1	
1	1K6 813 111 F	floor pan but without:	rear POS. 16	1	
2	1K0 803 531	cross member for floor		1	
3	1K0 813 146	cross reinforcement		1	
4	1K6 813 173 B	filler plate for wheel housing	left	1	
(4)	1K6 813 174 B	filler plate for wheel housing	right	1	
5	1K0 813 545 A	bracket for child seat	-latch-	2	
10	1K0 803 274 A	retainer for spare wheel		1	
12	1K6 813 199	floor pan can be used as a section part	left rear	1	
13	1K6 813 200	floor pan can be used as a section part	right rear	1	
14		see illustration:	919-30 POSI.2		
16		central mounting for split backrest see illustration:	885-70 POS.52		

Model	Year	MG	SG	Illustration	Restrictions	UPD	21:55	04.12.2006		ETKA
GO	2007	8	05	805-00	Rabbit/GTI	597	USA			




Pos	Part Number	Name	Remarks	Qty	Model
		body front section without water box			
(1)	1K0 805 588 M	lock carrier with mounting for radiator		1	
-	1K0 898 623	1 set of securing parts for bumpers and vehicles with front end damage		1	
3	N 910 338 02	halbrundschaube (kombi) mit innensechsrund	M6X22-S11	4	
(5)	1K0 805 962 C	intake air duct		1	otto engine 147KW
	06/05 9B9	satin black			
(7)	1K0 805 965 C	adjuster		1	otto engine 147KW
	06/05 9B9	satin black			
(9)	1K0 805 971 C	air duct		1	otto engine 147KW
		not in combination with:	1.4ltr.		
	06/05 9B9	satin black			
15	N 103 546 02	innensechsrund-blechschaube	5X16Z2	2	
20-25		see illustration:	803-00		
30	1K1 955 633 A	holder for windscreen wiper mounting		1	lhd
	N 100 053 01	bolt, hex. hd. (combi.)	M6X12	2	


Model	Year	MG	SG	Illustration	Restrictions	UPD	21:55	04.12.2006		ETKA
GO	2007	8	07	807-00	Rabbit/GTI	597	USA			

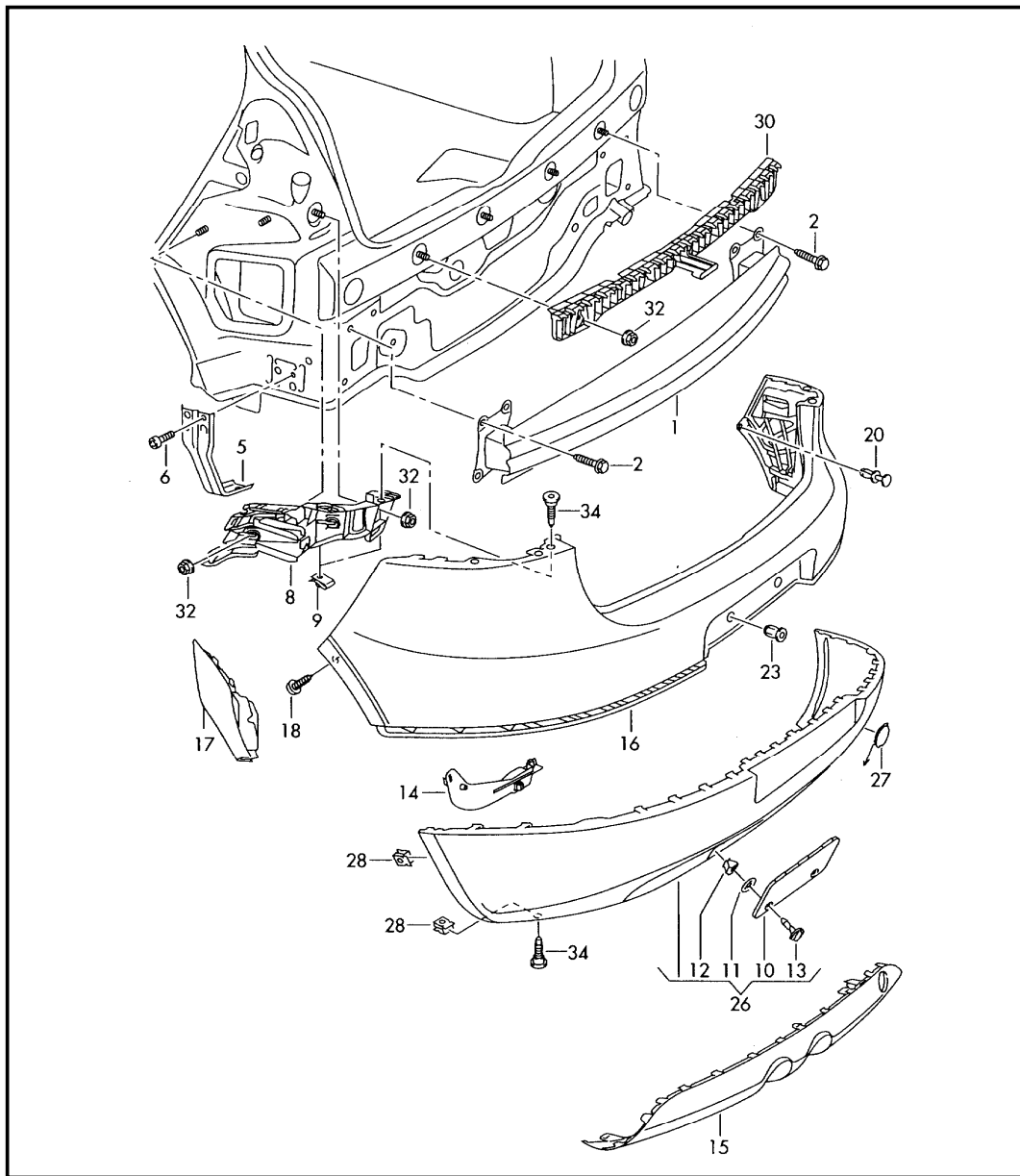


Pos	Part Number	Name	Remarks	Qty	Model
1	1K0 805 083	bumper	front		
		insert F	>> 1K-6-110 000* only for:	1	
			1K0 807 093 A		
3	1K0 805 903 A	spoiler		1	
	06/05 9B9	satin black			
(3)	1K0 805 903 D	spoiler		1	GTI, GT
	06/05 9B9	satin black			
3		not a spare part for this model			
5	1K0 805 915 D	retainer for spoiler		1	
	02/06 9B9	satin black			
(7)	1K0 807 093 D	cross member	front, lower	1	
9	1K0 807 109 C	impact beam		1	
11	1K0 807 183	guide piece	left	1	
(11)	1K0 807 184	guide piece	right	1	
(13)	1K0 807 217 A	cover for bumper	front	1	GTI
	02/06 GRU	primed		1	
(13)	1K0 807 217 J	cover for bumper		1	
	02/06 GRU	primed		1	
14	1K0 898 623	1 set of securing parts for bumpers and vehicles with front end damage		1	
(15)	1K6 807 248	foam insert	front	1	
(17)	1K0 807 655 A	protective strip	left	1	
	06/05 GRU	primed			
(17)	1K0 807 655 C	protective strip for vehicles with headlight washer system	left	1	
	06/05 9B9	satin black		1	
(17)	1K0 807 717 B	molding for bumper	left	1	GTI, GT
	06/05 GRU	primed		1	


Model	Year	MG	SG	Illustration	Restrictions	UPD	21:55	04.12.2006		ETKA
GO	2007	8	07	807-00	Rabbit/GTI	597	USA			

Pos	Part Number	Name	Remarks	Qty	Model	Pos	Part Number	Name	Remarks	Qty	Model
(17)	1K0 807 717 E	molding for bumper for vehicles with headlight washer system	left		GTI, GT	(24)	1K0 854 662 F	cooling air grill for vehicles with fog lamps	right		GTI+PR-VK2
	06/05 GRU	primed		1			06/05 9B9	satin black		1	
(17)	1K0 807 656 A	protective strip	right			27	1K0 853 677 A	cooling air grill	center		otto engine 110KW, 147KW, diesel eng.+ 103KW
	06/05 GRU	primed		1							
(17)	1K0 807 718 B	molding for bumper	right		GTI, GT		06/05 9B9	satin black		1	
	06/05 GRU	primed		1							
(17)	1K0 807 718 E	molding for bumper for vehicles with headlight washer system	right		GTI, GT	(27)	1K0 853 677 B	cooling air grill	center		
	06/05 GRU	primed		1			06/05 9B9	satin black		1	
18		see illustration:	955-30			(28)	1K0 853 950 C	end plate	right front	1	
19	1K0 807 830	retaining clip	30X20X20	X		29	N 103 546 02	innensechsrund-blechschaube	5X16Z2	X	
(21)	1K0 807 889 B	guide piece bumper	left front	1	GTI, GT	31	N 105 971 01	tapping screw, csk.	4X20-E	2	
(21)	1K0 807 890 B	guide piece bumper	right front	1	GTI, GT	33 +	N 902 184 02	riveted cap nut	AM6/0,5-4,7	2	
(23)	1K0 853 665 S	cooling air grill for vehicles with fog lamps	left		GTI +PR-VK1	35 +	N 906 484 01	bolt, hex. hd. (combi.)	M10X35	8	
	06/05 9B9	satin black		1		37	N 908 259 01	innensechsrund-zyl-bundschr.	M6X27	1	
(23)	1K0 853 666 P	cooling air grill for vehicles with fog lamps	right		GTI	39 +	N 908 338 01	expanding nut	4,8	8	
	06/05 9B9	satin black		1		41	N 909 591 01	speed nut	5X16,5X11	1	
(23)	1K0 853 666 Q	cooling air grill	right	1		43	N 909 699 01	innensechsrund-passschaube	M6X25-W	1	
	06/05 9B9	satin black		1		45	N 910 320 01	innensechsrund-blechschaube	5X24-R-L	1	
(23)	1K0 853 666 R	cooling air grill for vehicles with fog lamps	right	1		47	N 910 338 01	halbrundschaube (kombi) mit innensechsrund	M6X22-S11	4	
	06/05 9B9	satin black		1							
24	1K0 854 661 M	cooling air grill for vehicles with fog lamps	left		GTI+PR-VK2						
	06/05 9B9	satin black		1							


Model	Year	MG	SG	Illustration	Restrictions	UPD	21:55	04.12.2006		ETKA
GO	2007	8	07	807-50	Rabbit/GTI	597	USA			

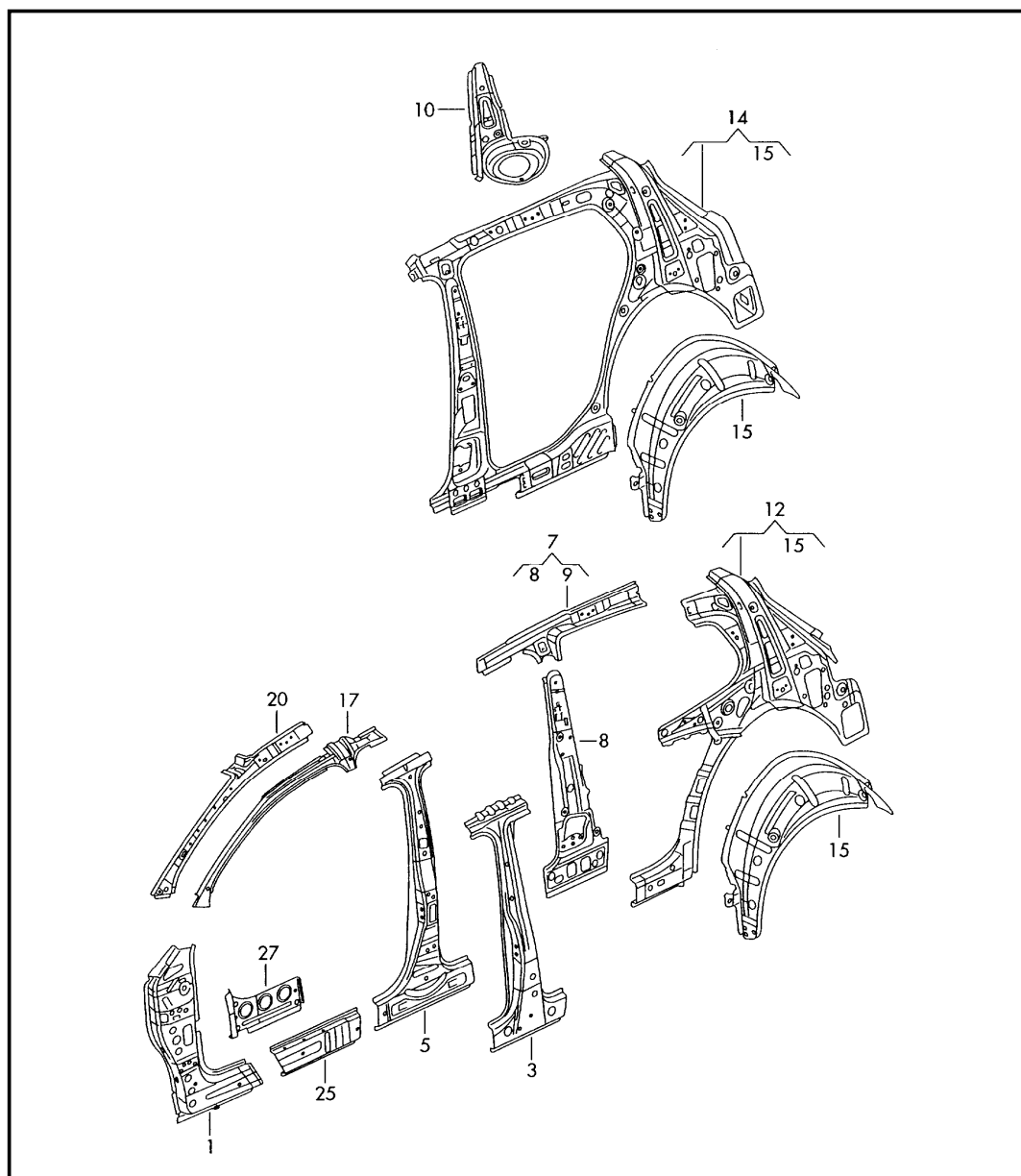


Pos	Part Number	Name	Remarks	Qty	Model
		bumper	rear		
1	1K6 807 305	bumper		1	GTI
2	N 905 818 02	bolt, hex. hd. with shoulder	M8X28-U-S1-SC	6	
5	1K6 807 045	bracket	left	1	
6	N 907 498 01	innensechsrund-linsenschraube	M6X12	2	
8	1K6 807 375	guide piece	left rear	1	
(8)	1K6 807 376	guide piece	right rear	1	
9	+ N 901 686 04	speed nut	M6X16X24	4	
(16)	1K6 807 417 C	cover for bumper		1	
	02/06 GRU	primed			
(16)	1K6 807 417 D	cover for bumper for vehicles with parking aid		1	
	02/06 GRU	primed			
17	1K6 807 377 A	guide piece bumper	left inner rear	1	
(17)	1K6 807 378 A	guide piece bumper	right inner rear	1	
18	N 103 546 02	innensechsrund-blechschaube	5X16Z2	6	
(18)	+ N 906 986 03	innensechsrund-blechschaube	ST4, 2X16-C-T20	2	
20	+ N 905 369 01	rivet	B5X5,5	2	
23	+ N 902 184 02	rivetted cap nut	AM6/0,5-4,7	2	
(26)	1K6 807 521 E	spoiler	rear	1	GTI
	06/05 9B9	satin black			
(27)	1K6 807 441 B	cover for towing eye	rear	1	
	06/05 9B9	satin black			
28	N 909 591 01	speed nut	5X16,5X11	6	
(28)	N 906 988 03	speed nut	ST4, 2X16X12	X	
30	1K6 807 863	attachment strip bumper	rear center	1	


Model	Year	MG	SG	Illustration	Restrictions	UPD	21:55	04.12.2006		ETKA
GO	2007	8	07	807-50	Rabbit/GTI	597	USA			

Pos	Part Number	Name	Remarks	Qty	Model	Pos	Part Number	Name	Remarks	Qty	Model
32	N 910 189 01	shouldered hex. nut plastic	C6	10							
34	N 908 259 01	innensechsrund-zyl-bundschr.	M6X27	7							


Model	Year	MG	SG	Illustration	Restrictions	UPD	21:55	04.12.2006		ETKA
GO	2007	8	09	809-00	Rabbit/GTI	597	USA			

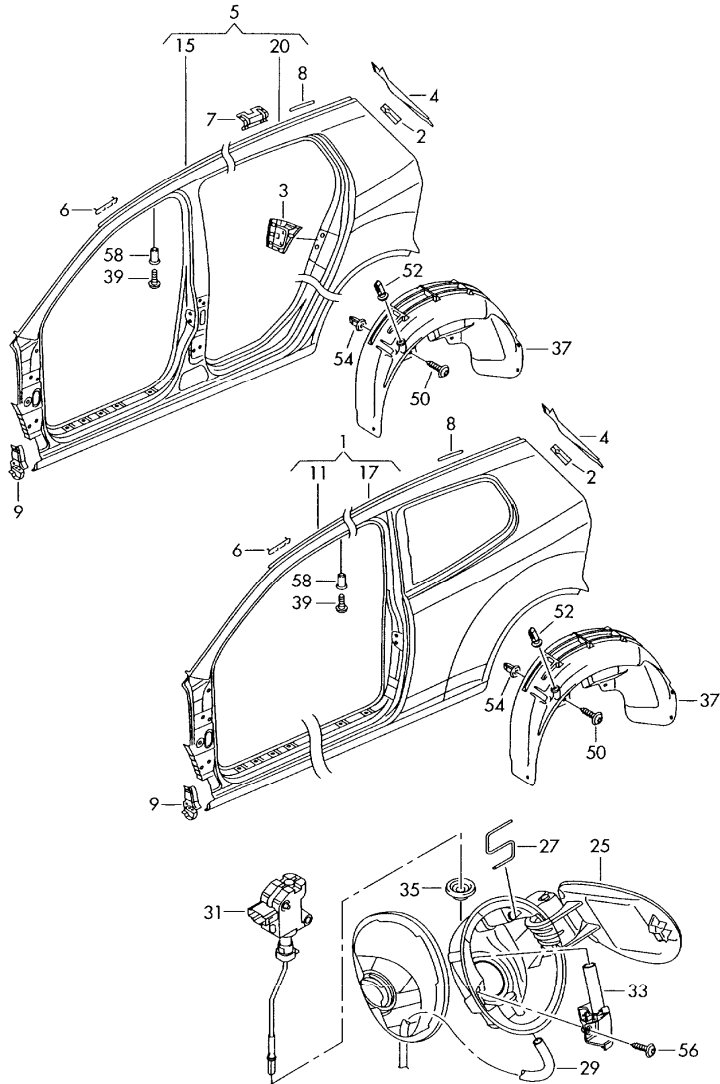


Pos	Part Number	Name	Remarks	Qty	Model
		side panel, inner			
1	1K6 809 203	reinforcement for pillar a	left lower	1	
-	1K6 803 477	reinforcement for jack socket	left front	1	
(1)	1K6 809 204	reinforcement for pillar a	right lower	1	
-	1K6 803 478	reinforcement for jack socket	right front	1	
(3)	1K3 809 219 B	pillar b inner	left 2 doors	1	
(5)	1K3 809 220 B	pillar b inner	right 2 doors	1	
7		not a spare part			
8	1K3 809 443	pillar b inner	left 2 doors	1	
(8)	1K3 809 444	pillar b inner	left 2 doors	1	
9	1K3 810 411	side panel, inner	left rear 2 doors	1	
(9)	1K3 810 412	side panel, inner	right rear 2 doors	1	
(10)	1K6 809 263	reinforcement for pillar c	left	1	
10	1K6 809 262	reinforcement for pillar c	right	1	
12	1K3 809 403	side panel, inner	left rear 2 doors	1	
(12)	1K3 809 404	side panel, inner	right rear 2 doors	1	
15	1K6 809 411	wheelhouse protector	left outer	1	
(15)	1K6 809 412	wheelhouse protector	right outer	1	
(17)	1K3 809 437	side panel, inner	left front 2 doors	1	
(17)	1K3 809 438	side panel, inner	right front 2 doors	1	
20	1K6 810 411	side panel, inner	left front	1	
(20)	1K6 810 412	side panel, inner	right front	1	


Model	Year	MG	SG	Illustration	Restrictions	UPD	21:55	04.12.2006		ETKA
GO	2007	8	09	809-00	Rabbit/GTI	597	USA			

Pos	Part Number	Name	Remarks	Qty	Model	Pos	Part Number	Name	Remarks	Qty	Model
(25)	1K3 810 607	rip plate for side member	left front 2 doors	1							
(25)	1K3 810 608	rip plate for side member	right front 2 doors	1							
27	1K6 810 717	reinforcement for side member	left front	1							
(27)	1K6 810 718	reinforcement for side member	right front	1							


Model	Year	MG	SG	Illustration	Restrictions	UPD	21:56	04.12.2006		ETKA
GO	2007	8	09	809-70	Rabbit/GTI	597	USA			

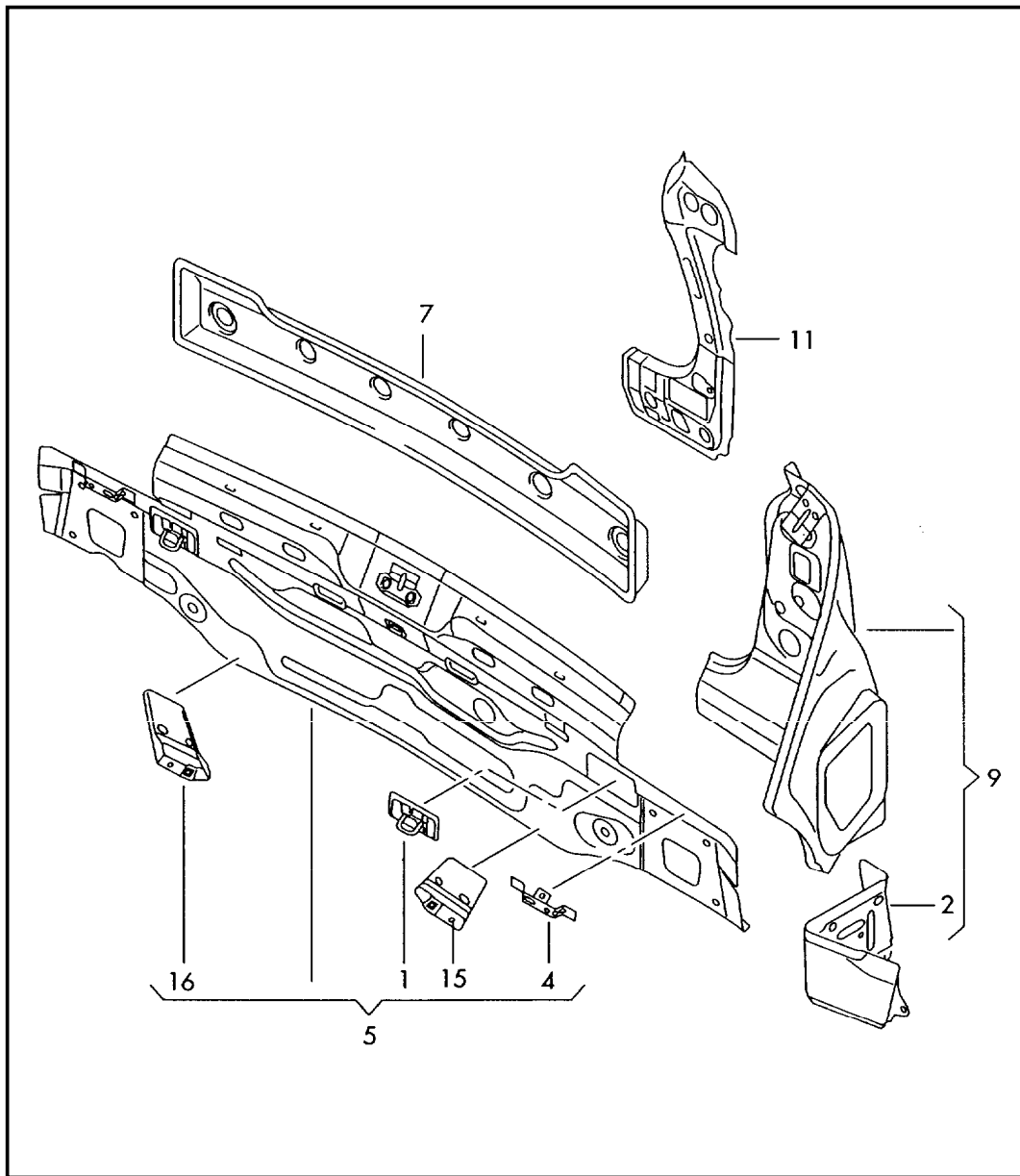


Pos	Part Number	Name	Remarks	Qty	Model
1	1K3 809 605 B	sectional part for side panel flap for fuel filler wheelhouse liner side panel	rear left 2 doors	1 1 1 1	
(1)	1K3 809 605 C	side panel	left 2 doors	1 1 1 1	
(1)	1K3 809 606 B	side panel	right 2 doors	1 1 1 1	
(1)	1K3 809 606 C	side panel	right 2 doors	1 1 1 1	
-	D 180 KD3 A2	2k-body adhesive adhesives and sealing compound	hight hard	1	
2	1K6 809 487	reinforcement for gas filled strut	left	1	
(2)	1K6 809 488	reinforcement for gas filled strut	right	1	
4	1K6 809 643	water drain channel	left	1	
(4)	1K6 809 644	water drain channel	right	1	
-	D 180 KD3 A2	2k-body adhesive adhesives and sealing compound	hight hard	1	
6	1K6 810 825 A	reinforcement roof luggage rack	left a. right	2	
9	1K6 810 415	filler plate for side member	left front	1	
(9)	1K6 810 416	filler plate for side member	right front	1	


Model	Year	MG	SG	Illustration	Restrictions	UPD	21:56	04.12.2006		ETKA
GO	2007	8	09	809-70	Rabbit/GTI	597	USA			

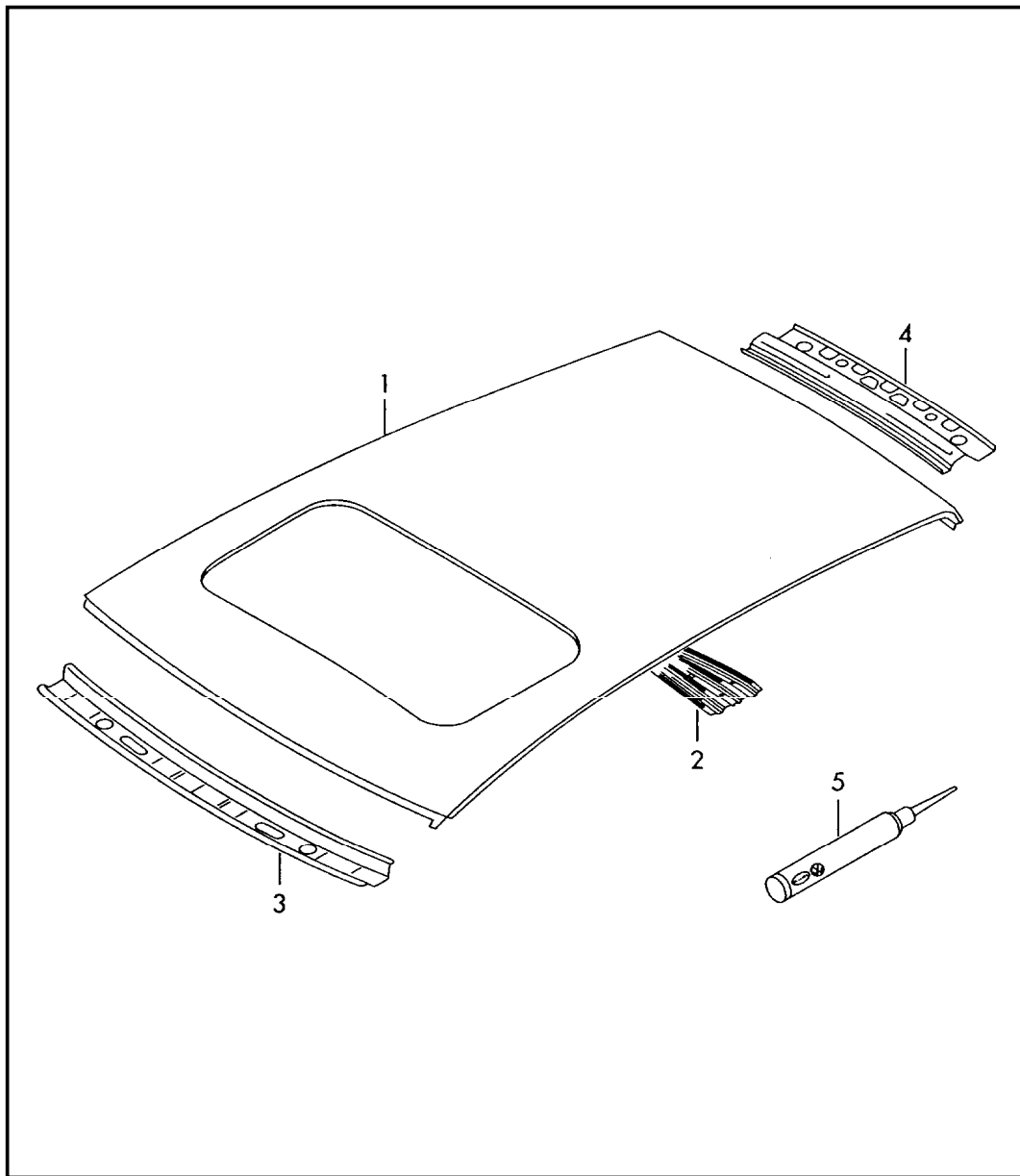
Pos	Part Number	Name	Remarks	Qty	Model	Pos	Part Number	Name	Remarks	Qty	Model
10		see illustration:	807-50			25	1K6 809 857 B	flap for fuel filler		1	
11	1K3 809 835	sectional part-pillar a with side member F >> 1K-6B105 621* F >> 1K-6P019 868* F >> 1K-6U018 847* F >> 1K-6W113 525*	left 2 doors	1 1 1 1			06/05 GRU	primed			
(11)	1K3 809 835 A	sectional part-pillar a with side member F 1K-6B105 622>>* F 1K-6P019 869>>* F 1K-6U018 848>>* F 1K-6W113 526>>*	left 2 doors	1 1 1 1		29	3D0 809 937 A	hose stop	850MM shorten to: 555MM	1	
(11)	1K3 809 836	sectional part-pillar a with side member F >> 1K-6B105 621* F >> 1K-6P019 868* F >> 1K-6U018 847* F >> 1K-6W113 525*	right 2 doors	1 1 1 1		31	1K6 810 773	actuator flap for fuel filler		1	
(11)	1K3 809 836 A	sectional part-pillar a with side member F 1K-6B105 622>>* F 1K-6P019 869>>* F 1K-6U018 848>>* F 1K-6W113 526>>*	right 2 doors	1 1 1 1		33	1K6 810 899 A	guide sleeve		1	
						35	3B0 810 911 A	sealing washer		1	
						(37)	1K0 810 971 C	wheelhouse protector	left rear	1	GTI, R32
						(37)	1K0 810 972 D	wheelhouse protector	right rear	1	GTI, R32
						39	6Q0 860 137 A	plug ** DACHLASTENTRŽGER *****		2	
17	1K3 809 843	sectionl parts - side panel frame F >> 1K-6B105 621* F >> 1K-6P019 868* F >> 1K-6U018 847* F >> 1K-6W113 525*	left 2 doors	1 1 1 1		50	N 103 546 02	innensechsrund-blechschaube	5X16Z2	18	
						52	+ N 105 168 01	expanding nut	F5	2	
						54	+ N 908 338 01	expanding nut	4,8	6	
						56	N 909 187 01	innensechsrund-blechschaube	4X12-Q	1	
(17)	1K3 809 843 A	sectionl parts - side panel frame F 1K-6B105 622>>* F 1K-6P019 869>>* F 1K-6U018 848>>* F 1K-6W113 526>>*	left 2 doors	1 1 1 1		58	N 910 389 01	rivetted cap nut	M6/0.5-3-FR	2	
(17)	1K3 809 844	sectionl parts - side panel frame F >> 1K-6B105 621* F >> 1K-6P019 868* F >> 1K-6U018 847* F >> 1K-6W113 525*	right 2 doors	1 1 1 1							
(17)	1K3 809 844 A	sectionl parts - side panel frame F 1K-6B105 622>>* F 1K-6P019 869>>* F 1K-6U018 848>>* F 1K-6W113 526>>*	right 2 doors	1 1 1 1							

Model	Year	MG	SG	Illustration	Restrictions	UPD	21:56	04.12.2006		ETKA
GO	2007	8	13	813-00	Rabbit/GTI	597	USA			




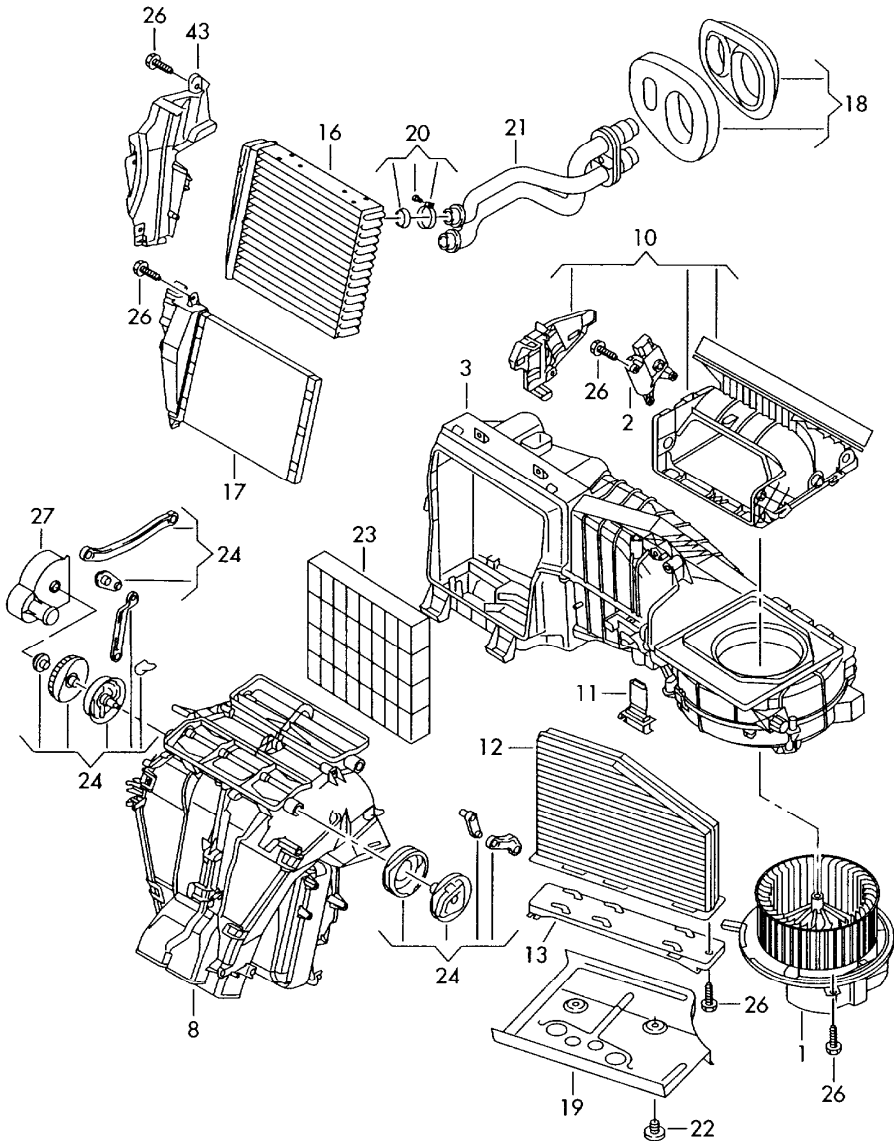
Pos	Part Number	Name	Remarks	Qty	Model
		end plate	rear		
-	D 007 600 A1	inox-spray servicing materials	400ML	1	
-	D 007 500 A2	zinc spray servicing materials	400ML	1	
1	1J0 804 299	tie-down eye		X	
2	1K6 809 235	retaining clamp	left	1	
(2)	1K6 809 236	retaining clamp	right	1	
5	1K6 813 301	rear apron		1	
		as required use:	N 907 088 01	X	
			N 907 161 01	X	
-	N 910 176 01	weld stud	FD6X25	X	
-	N 907 161 01	pop-rivet with sealing washer	A4, 8X6, 5X22	X	
-	+ N 907 088 01	speed nut	AM5	X	
7	1K6 813 309	end plate	lower	1	
9	1K6 813 319	mounting for taillight	left	1	
(9)	1K6 813 320	mounting for taillight	right	1	
		adjustment part see illustration:	945-00	2	
11	1K6 813 331	reinforcement	left	1	
(11)	1K6 813 332	reinforcement	right	1	
15	1K6 813 743	holder for cover bumper	left	1	
16	1K6 813 744	holder for cover bumper	right	1	

Model	Year	MG	SG	Illustration	Restrictions	UPD	21:56	04.12.2006		ETKA
GO	2007	8	17	817-10	Rabbit/GTI	597	USA			




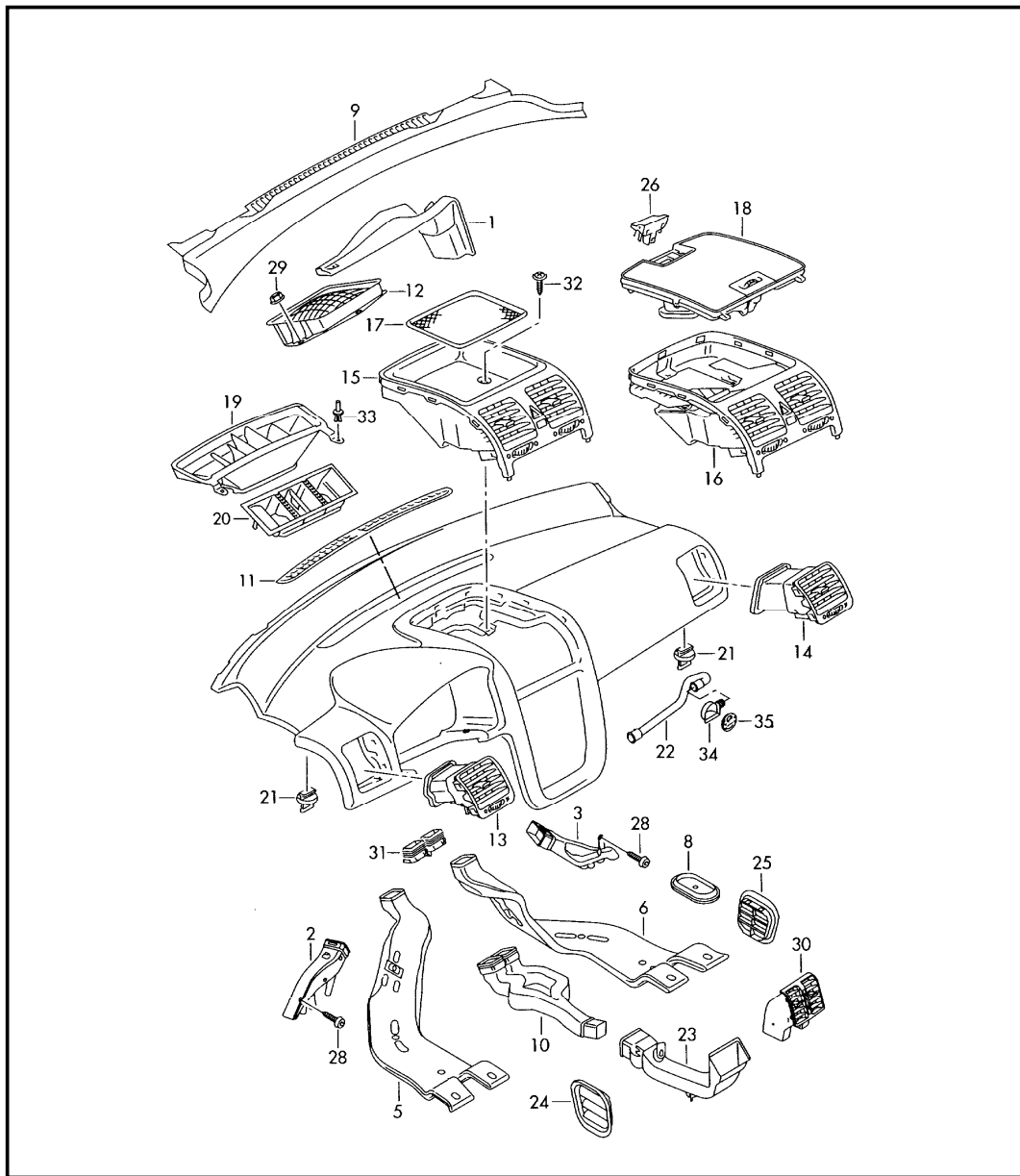
Pos	Part Number	Name	Remarks	Qty	Model
		roof			
1	1K6 817 101 B	roof for vehicles with sliding roof		1	
(1)	1K6 817 111 D	roof as required use:	1K0 035 507 D	1	
2	1K6 817 119	roof reinforcement	center	1	
3	1K6 817 123	roof cross member	front	1	
4	1K6 817 161	roof cross member	rear	1	
5		see workshop manual			

Model	Year	MG	SG	Illustration	Restrictions	UPD	21:56	04.12.2006		ETKA
GO	2007	8	19	819-20	Rabbit/GTI	597	USA			




Pos	Part Number	Name	Remarks	Qty	Model
		fan	heater		
1	1K1 819 015	fan	lhd	1	
2	1K0 907 511 C	control motor for recirculated air operation possibility	lhd	1	
3	1K1 819 007	housing	lhd	1	
8	1K1 819 353	air distribution housing	lhd	1	
10	1K1 819 304	intake duct	lhd	1	
11	1K0 959 263 A	series resistor		1	
11	1K0 959 263 A	series resistor		1	
12	1K0 819 644 A	dust and pollen filterelement		1	
(12)	1K1 819 653 A	pollen filter with odor and harmful substances filtration	lhd	X	
13	1K0 819 422 B	cover dust and pollen filter		1	
16	1K0 819 031	heat exchanger		1	
18	1K0 898 471	gasket set heater		1	
19	1T1 819 593 B	cover	lhd	1	
(20)	8E0 898 380	gasket set		1	
21	1K1 819 857 A	water pipe	lhd	1	
		also use:	feed/return 8E0 898 380	1	
22	WHT 000 155	wing screw		2	
23	1K0 819 215	grille		1	
26	N 104 241 01	tapping screw, hex. hd.	4X16H	X	
43	1K1 819 349 D	cover	lhd	1	
-	1K1 819 473 H	bracket heater	lhd	1	
-	1K1 819 453	bracket	lhd	1	
-	N 905 329 01	bolt, hex. hd. (combi.)	M6X16-U-S1	X	
(45)	1K1 898 001	1 set of levers for air distribution housing	lhd	1	
(45)	1K0 898 002	1 set of levers		1	


Model	Year	MG	SG	Illustration	Restrictions	UPD	21:56	04.12.2006		ETKA
GO	2007	8	19	819-30	Rabbit/GTI	597	USA			

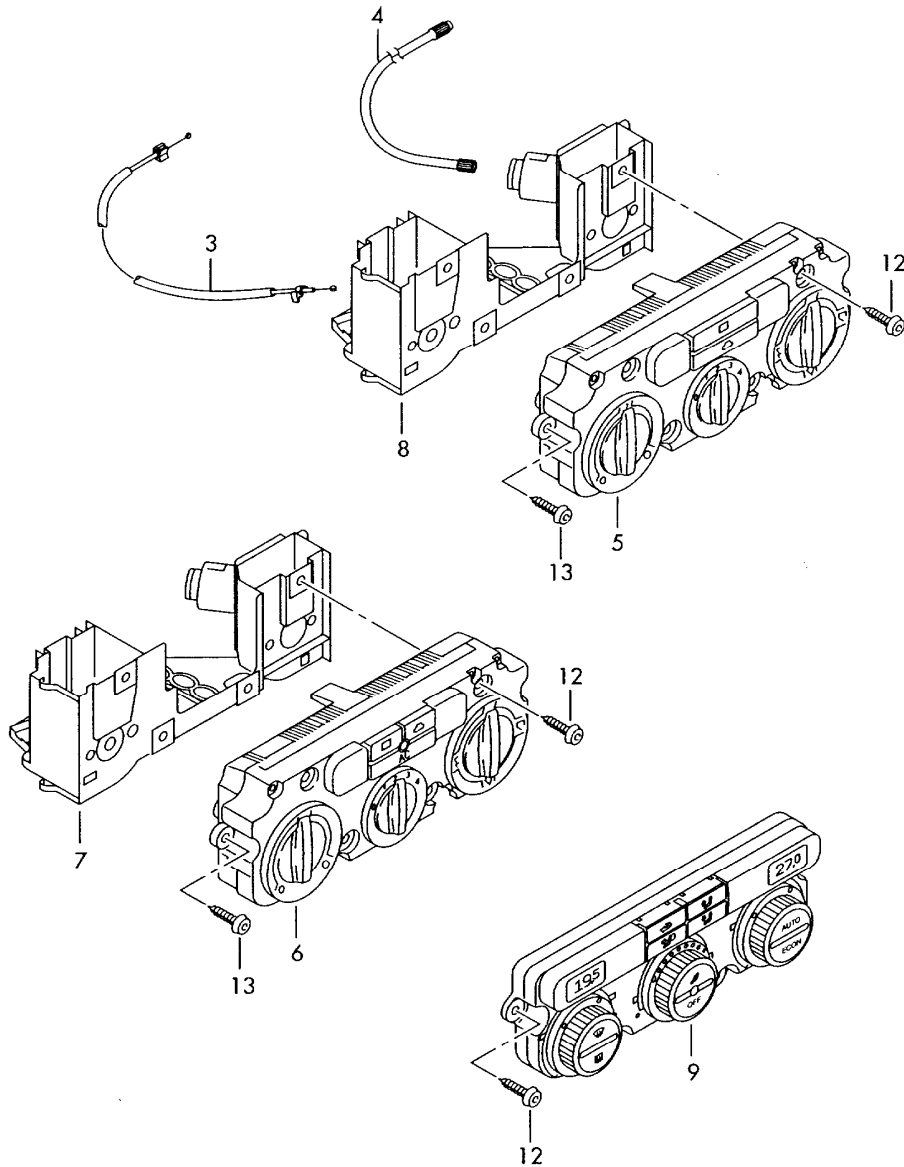


Pos	Part Number	Name	Remarks	Qty	Model
		air and footwell heater ducts, air hoses and vents water deflector			
1	1K1 815 159 A	cover	lhd	1	
2	1K1 819 151 B	footwell vent (drivers side)	lhd	1	
3	1K1 819 152 B	footwell vent (passenger side)	lhd	1	
5	1K0 819 805 D	air duct	left lower	1	
6	1K0 819 806 D	air duct	right lower	1	
8	1K0 819 425	blind cover	26MM	1	
9	1K1 819 415 A	water deflector	lhd	1	
	06/05 9B9	satin black			
10	1K0 819 633	air duct		1	PR-6E3
11	1K1 857 473	air vent windshield glass		1	
	06/05 81U	titanium black			
12	1K0 815 479 B	intake manifold		1	
(12)	1K0 941 369	cover (drivers side)		1	
(13)	1K0 819 703 B	air vent	left	1	
	08/05 1QB	black			
14	1K0 819 704 B	air vent	right	1	
	08/05 1QB	black			
(15)	1K0 819 728 E	air vent	center	1	
	06/05 1QA	black			
		as required use:	1K0 858 069 F (1QA)	1	PR-9AA, 9AP
			1K0 858 069 G (1QA)	1	PR-9AK
(16)	1K0 819 728 E	air vent	center	1	
	06/05 1QA	black			
		as required use:	1K0 858 069 F (1QA)	1	PR-9AA, 9AP
			1K0 858 069 G (1QA)	1	PR-9AK


Model	Year	MG	SG	Illustration	Restrictions	UPD	21:56	04.12.2006		ETKA
GO	2007	8	19	819-30	Rabbit/GTI	597	USA			

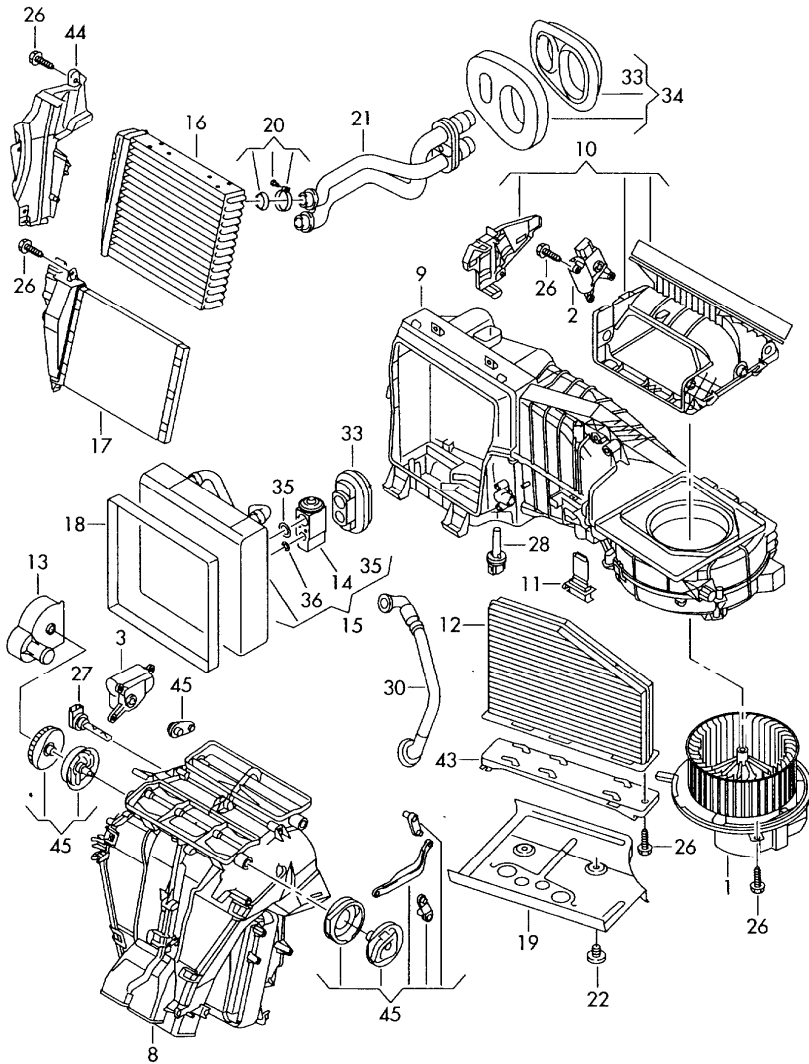
Pos	Part Number	Name	Remarks	Qty	Model	Pos	Part Number	Name	Remarks	Qty	Model
17		see illustration:	857-10								
(18)	1K0 819 153 B	cover		1							
	06/05 1QB	black									
19	1K1 819 063 B	intermediate piece air duct	lhd	1							
20	1K1 819 241	intermediate piece	lhd	1							
21	1T0 857 489	plug		2	PR-9AA						
(21)	1T0 857 489	plug		1	PR-9AP						
(21)	1K0 907 543 C	temperature sensor	G 150/G 151	2	PR-9AK						
(21)	1K0 907 543 C	temperature sensor	G 191	1	PR-9AP						
22	1K1 816 311	air hose for vehicles with air condit.	lhd	1							
23		see illustration:	863-60		PR-6E3						
24	1K0 819 465 B	vent trim	left	1							
25	1K0 819 466 B	vent trim	right	1							
26		see illustration:	941-50		PR-9K						
28	+ N 906 986 03	innensechsrund-blechschraube	ST4,2X16-C-T20	X							
29	N 908 877 01	clamping nut	M6	3							
30	1K0 819 203	fresh air outlet	rear	1							
	06/05 71N	anthracite		1	PR-6E3						
31	1K0 819 663	cap	center lower	1							
32	+ N 906 986 03	innensechsrund-blechschraube	ST4,2X16-C-T20	X							
33	4D0 868 307	rivet		2							
34	1K0 820 731	union		1							
35	3B0 816 355	valve for vehicles with air condit.		1							
	06/05 01C	satin black									
-	1K0 819 139	clamp		2							

Model	Year	MG	SG	Illustration	Restrictions	UPD	21:57	04.12.2006		ETKA
GO	2007	8	19	819-40	Rabbit/GTI	597	USA			




Pos	Part Number	Name	Remarks	Qty	Model
		fresh air and heater controls			
3	1K1 819 815	cable for temp. control flap	lhd	1	
4	1K1 819 287	flexible shaft	lhd	1	PR-9AA, 9AP
5	1K0 819 047 AP	fresh air and heater controls	front	1	
	06/05 REH	black/white			
(5)	1K0 819 047 AQ	fresh air and heater controls for vehicles with heated seat	front	1	
	06/05 REH	black/white			
(5)	1K0 819 047 AR	fresh air and heater controls for vehicles with stationary heater	front	1	PR-QS0
	06/05 REH	black/white			
(5)	1K0 819 047 AS	fresh air and heater controls for vehicles with stat.heater with radio controlled remote and heated seat	front	1	
	06/05 REH	black/white			
(6)	1K0 820 047 DF	fresh air and heater controls		1	air condit.
	06/05 REH	black/white			
(6)	1K0 820 047 DG	fresh air and heater controls		1	air condit.
	06/05 REH	black/white			
	06/05 REH	black/white			
(8)	1K1 819 045	fresh air and heater controls	rear lhd	1	
-	1T0 857 047	threaded plate		4	
9		see illustration:	941-50		
12	N 910 276 01	innensechsrund-blechschaube	ST4, 2X45.0 R	4	
13	+ N 906 986 03	innensechsrund-blechschaube	ST4, 2X16-C-T20	4	


Model	Year	MG	SG	Illustration	Restrictions	UPD	21:57	04.12.2006		ETKA
GO	2007	8	20	820-10	Rabbit/GTI	597	USA			

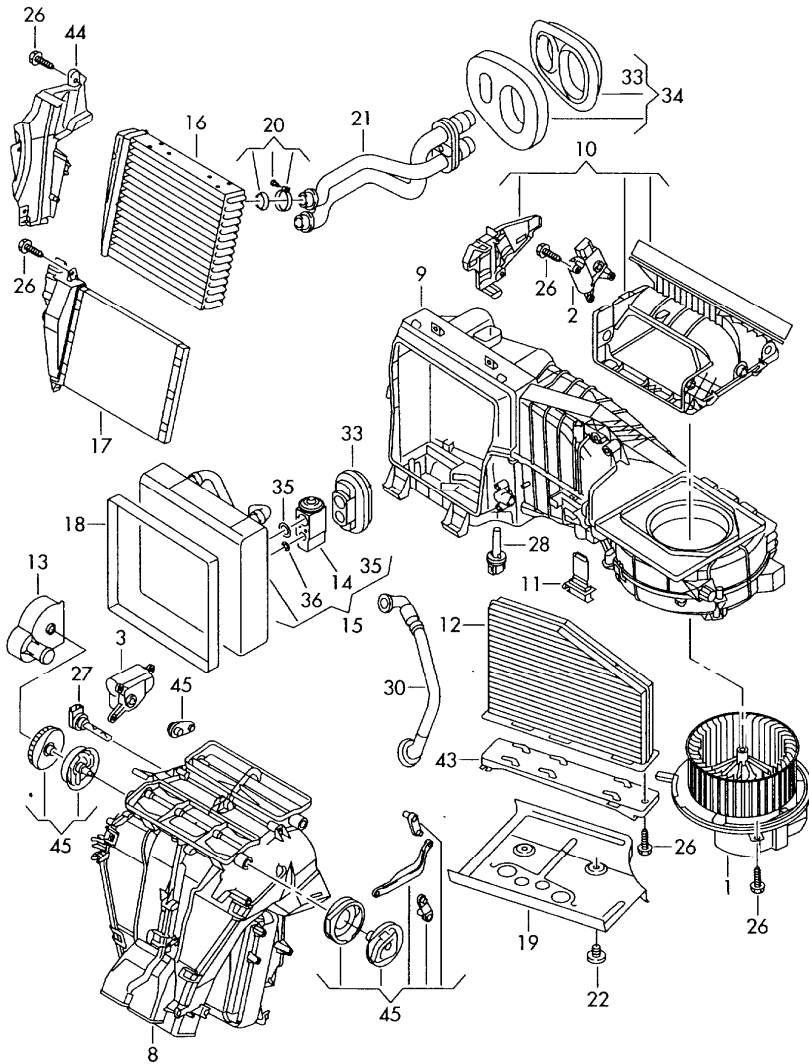


Pos	Part Number	Name	Remarks	Qty	Model
		air conditioner	VALEO		
1	1K1 819 015	fan		1hd 1	
2	1K0 907 511 C	control motor for recirculated air operation possibility	V 113	1	
3	1K1 907 511 C	adjustment motor for temperature regulating flap	left V 68	1hd 1	
8	1K1 820 353	connection box		1hd 1	
9	1K1 820 007	housing		1hd 1	PR-1W8
(9)	1K1 820 007 A	housing		1hd 1	PR-1W2
10	1K1 819 304	intake duct		1hd 1	
11	1K0 959 263 A	series resistor		1	
12	1K1 819 653 A	pollen filter with odor and harmful substances filtration		1hd 1	
(12)	1K0 819 644 A	dust and pollen filterelement		X	
14	1K0 820 679	expansion valve	R134A	1	
15	1K1 820 103	evaporator with expansion valve		1hd 1	
16	1K0 819 031	heat exchanger		1	
18	1K0 820 080	gasket		1	
19	1K1 819 593 A	cover		1hd 1	
20	8E0 898 380	gasket set		1	
(21)	1K1 819 857 A	water pipe		1hd 1	
			also use:	1	
			feed/return 8E0 898 380	1	
22	WHT 000 155	wing screw		2	
26	N 104 241 01	tapping screw, hex.hd.	4X16H	X	
27	3D0 907 543	temperature sensor for vehicles with electronically regulated air condit.		1	
28	1K0 907 543 A	temperature sensor evaporator		1	
30	1K1 260 113 D	water drain pipe		1hd 1	
(33)	1K0 820 139	gasket		1	


Model	Year	MG	SG	Illustration	Restrictions	UPD	21:57	04.12.2006		ETKA
GO	2007	8	20	820-10	Rabbit/GTI	597	USA			

Pos	Part Number	Name	Remarks	Qty	Model	Pos	Part Number	Name	Remarks	Qty	Model
334	1K0 898 471 A	gasket set for air conditioner		1							
35 +	8E0 260 749 D	round seal	14X1,8	X							
36 +	8E0 260 749	round seal	10,8X1,82	X							
(43)	1K0 819 422 B	cover dust and pollen filter		1							
(44)	1K1 819 349 D	cover		lhd 1							
-	1K1 819 473 H	bracket heater		lhd 1							
-	N 905 329 01	bolt, hex. hd. (combi.)	M6X16-U-S1	X							
-	3C0 819 939	retaining plate		1							
(45)	1K1 898 001	1 set of levers for air distribution housing		lhd 1							
(45)	1K0 898 002	1 set of levers air distribution housing		1							


Model	Year	MG	SG	Illustration	Restrictions	UPD	21:57	04.12.2006		ETKA
GO	2007	8	20	820-11	Rabbit/GTI	597	USA			

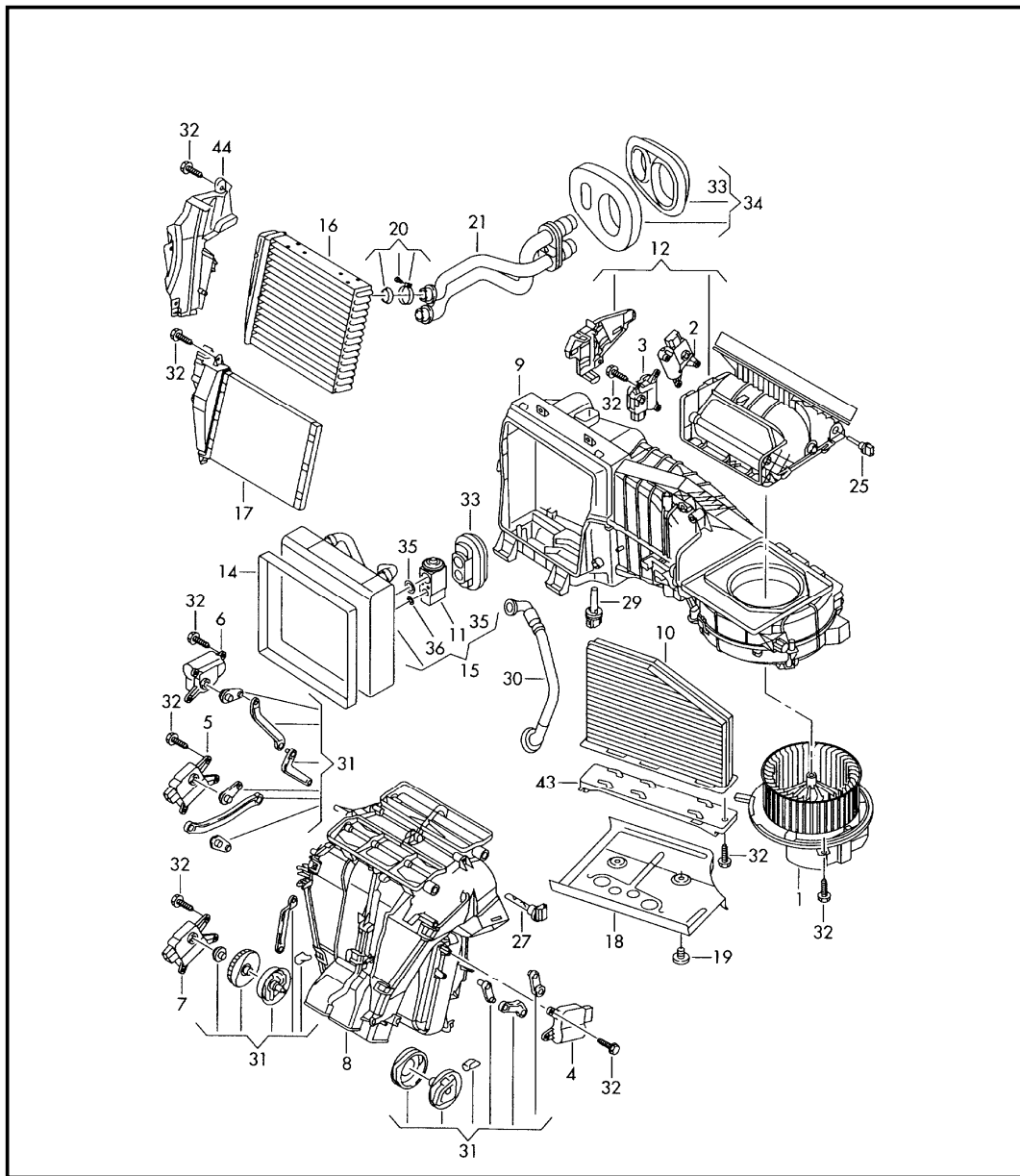


Pos	Part Number	Name	Remarks	Qty	Model
1	1K1 819 015	air conditioner CLIMATIC fan	DENSO lhd	1	
2	3C0 907 511 C	control motor for recirculated air operation possibility		1	
3	3C1 907 511	adjustment motor for temperature regulating flap		1	
8	3C1 898 353	connection box for vehicles without auxiliary heater		1	
(8)	3C1 898 353 A	connection box for vehicles with auxiliary heater		1	
9	3C1 898 063	housing	lhd	1	
10	3C0 898 304	intake duct		1	
11	1K0 959 263 A	series resistor		1	
12	1K1 819 653 A	pollen filter with odor and harmful substances filltration		1	
12	1K0 819 644 A	dust and pollen filterelement		X	PR-2V1
14	1K0 820 679	expansion valve		1	
15	1K1 820 103	evaporator with expansion valve		1	
16	3C0 819 031	heat exchanger		1	
17	1K0 963 235 E	heater element with electric air additional heater		1	
19	1K1 819 593 A	cover		1	
20	3C0 898 380	gasket set		1	
21	3C1 819 857	water pipe	feed/return	1	
		also use:		1	
22	WHT 000 155	wing screw		2	
26	N 104 241 01	tapping screw,hex.hd.	4X16H	1	
27	3D0 907 543	temperature sensor for vehicles with electroni- cally regulated air condit.		1	


Model	Year	MG	SG	Illustration	Restrictions	UPD	21:57	04.12.2006		ETKA
GO	2007	8	20	820-11	Rabbit/GTI	597	USA			

Pos	Part Number	Name	Remarks	Qty	Model	Pos	Part Number	Name	Remarks	Qty	Model
28	1K0 907 543 A	temperature sensor evaporator		1							
30	1K1 260 113 D	water drain pipe		1							
33	3C0 820 061	gasket expansion valve		1							
34	1K0 898 471 A	gasket set for air conditioner		1							
35 +	8E0 260 749 D	round seal GLEITMITTELBESCHICHTET	14X1,8	X							
36 +	8E0 260 749	round seal GLEITMITTELBESCHICHTET	10,8X1,82	X							
43	3C0 819 422	cover for dust-pollen filter		1							
-	3C1 820 215	adapter FÜR HANDSCHUHKASTENKUEHLUNG		1							
44	3C1 819 349	cover		1							
(44)	3C1 819 349 A	cover		1	PR-7E0						
(45)	3C1 898 001 C	1 set of levers for air distribution housing		1							
33	3C0 820 751	grommet		1							
-	3C0 819 165	gasket		1							


Model	Year	MG	SG	Illustration	Restrictions	UPD	21:57	04.12.2006		ETKA
GO	2007	8	20	820-20	Rabbit/GTI	597	USA			

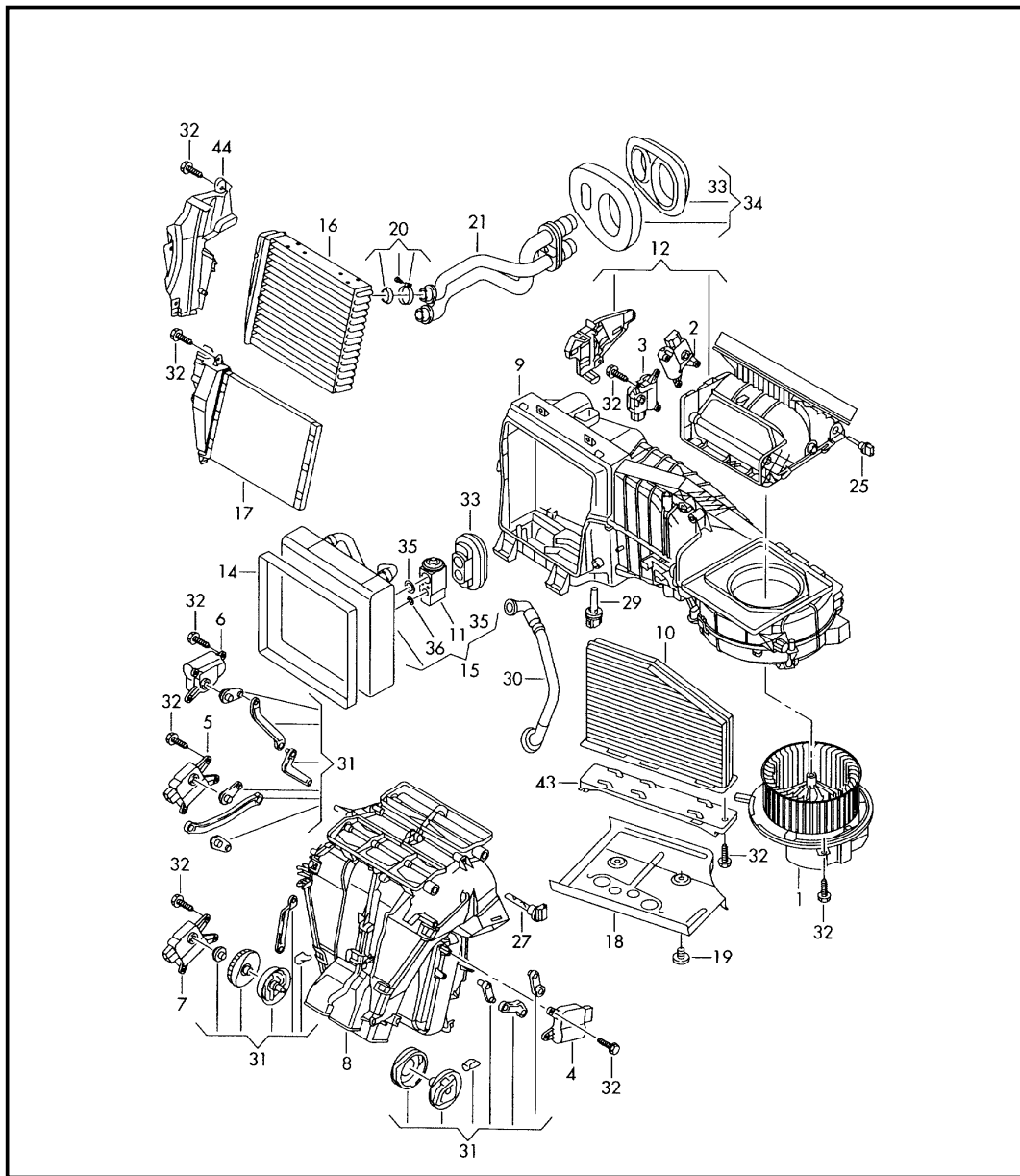


Pos	Part Number	Name	Remarks	Qty	Model
		air conditioner with electronic regulation	VALEO		
1	1K1 820 015	fan	lhd	1	
2	1K1 907 511 G	control motor for recirculated air operation possibility	V 113 lhd	1	
3	1K0 907 511 D	control motor for recirculated air operation possibility	V 71	1	
4	1K0 907 511 B	adjustment motor for temperature regulating flap	right V 159	1	
5	1K1 907 511 C	adjustment motor for temperature regulating flap	left V 158	lhd 1	
6	1K1 907 511 E	motor for adjustment for defroster flap	V 107	lhd 1	
7	1K0 907 511	central flap positioning motor	V 70	1	
8	1K1 820 353 A	air distribution housing	lhd	1	
9	1K1 820 007 B	housing	lhd	1	
(9)	1K1 820 007 C	housing	lhd	1	PR-1W2
10	1K1 819 653 A	pollen filter with odor and harmful substances filtration	lhd	1	
(10)	1K0 819 644 A	dust and pollen filterelement		X	
11	1K0 820 679	expansion valve	R134A	1	
12	1K1 820 304	intake duct	lhd	1	
14	1K0 820 080	gasket		1	
15	1K1 820 103	evaporator with expansion valve	lhd	1	
16	1K0 819 031	heat exchanger		1	
18	1T1 819 593 B	cover	lhd	1	
19	WHT 000 155	wing screw		2	
20	8E0 898 380	gasket set		1	
(21)	1K1 819 857 A	water pipe	lhd	1	
		also use:	feed/return 8E0 898 380	1	
25	1K0 907 543 A	temperature sensor	G 89	1	


Model	Year	MG	SG	Illustration	Restrictions	UPD	21:57	04.12.2006		ETKA
GO	2007	8	20	820-20	Rabbit/GTI	597	USA			

Pos	Part Number	Name	Remarks	Qty	Model	Pos	Part Number	Name	Remarks	Qty	Model
27	3D0 907 543	temperature sensor	left G 261 right G 262	1							
29	1K0 907 543 A	temperature sensor evaporator	G 263	1							
30	1K1 260 113 D	water drain pipe		1							
32	N 104 241 01	tapping screw,hex.hd.	4X16H	X							
-	1K0 820 080	gasket		1							
34	1K0 898 471 A	gasket set		1							
35 +	8E0 260 749 D	round seal	14X1,8	X							
36 +	8E0 260 749	round seal	10,8X1,82	X							
(43)	1K0 819 422 B	cover		1							
(44)	1K1 819 349 E	cover		1							
-	1K1 819 473 H	bracket		1							
-	N 905 329 01	bolt, hex. hd. (combi.)	M6X16-U-S1	X							
(45)	1K1 898 001	1 set of levers for air distribution housing		1							
(45)	1K0 898 002	1 set of levers air distribution housing		1							


Model	Year	MG	SG	Illustration	Restrictions	UPD	21:57	04.12.2006		ETKA
GO	2007	8	20	820-21	Rabbit/GTI	597	USA			

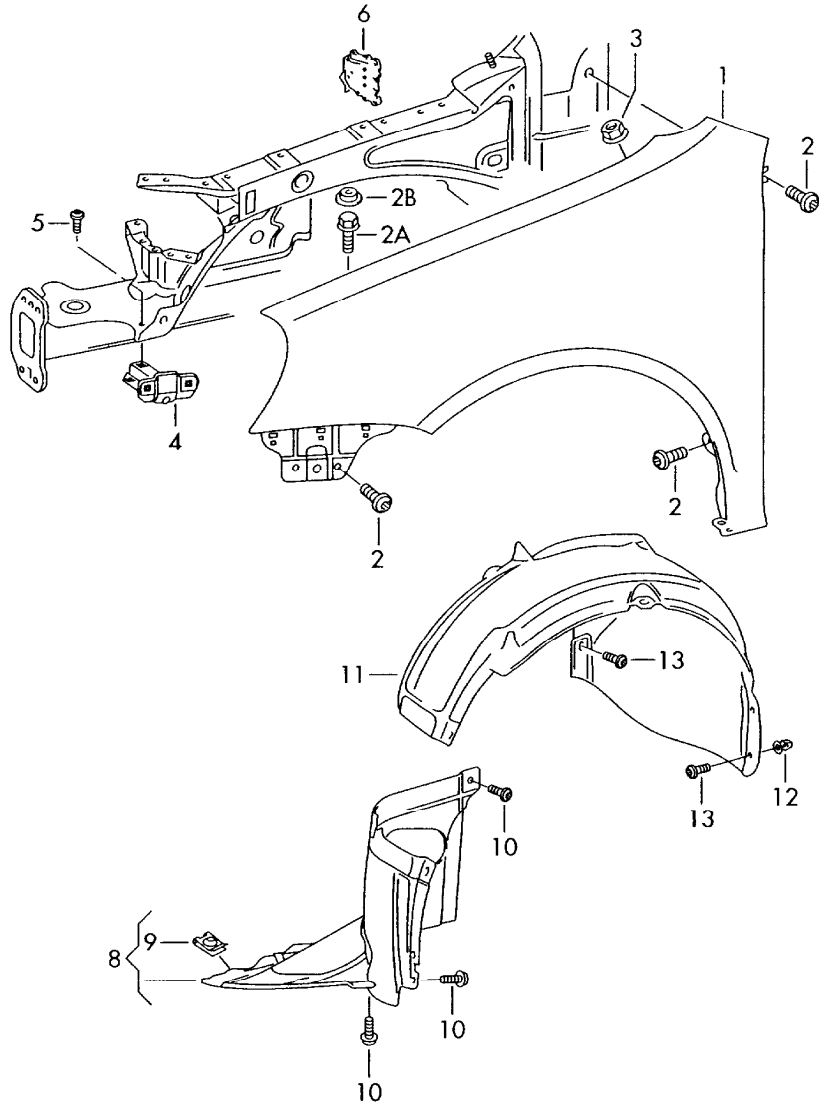


Pos	Part Number	Name	Remarks	Qty	Model
1	3C1 820 015	air conditioner with electronic regulation	DENSO lhd	1	
2	3C1 907 511 B	fan		1	
3	3C0 907 511 D	control motor for recirculated air operation possibility		1	
4	3C0 907 511 B	motor for adjustment for ventilation flap		1	
5	3C0 907 511 B	adjustment motor for temperature regulating flap	right lhd	1	
6	3C1 907 511	adjustment motor for temperature regulating flap	left lhd	1	
7	3C1 907 511 A	motor for adjustment for defroster flap		1	
8	3C0 907 511 A	central flap positioning motor		1	
9	3C1 898 353 B	connection box for vehicles without auxiliary heater	lhd	1	
10	3C1 898 063 A	housing	lhd	1	
11	1K1 819 653 A	pollen filter with odor and harmful substances filtration		1	PR-2V5
12	1K0 820 679	expansion valve		1	
13	3C0 898 304 A	intake duct		1	
14	3C1 820 103 A	evaporator with expansion valve		1	
15	3C0 819 031	heat exchanger		1	
16	1K1 819 593 A	cover	lhd	1	
17	WHT 000 155	wing screw		2	
18	3C0 898 380	gasket set		1	
19	3C1 819 857	water pipe	lhd	1	
20		also use:	feed/return	1	
21	1K0 907 543 A	temperature sensor evaporator		1	
22	3D0 907 543	temperature sensor		1	
23	1K0 907 543 A	temperature sensor evaporator		1	


Model	Year	MG	SG	Illustration	Restrictions	UPD	21:57	04.12.2006		ETKA
GO	2007	8	20	820-21	Rabbit/GTI	597	USA			

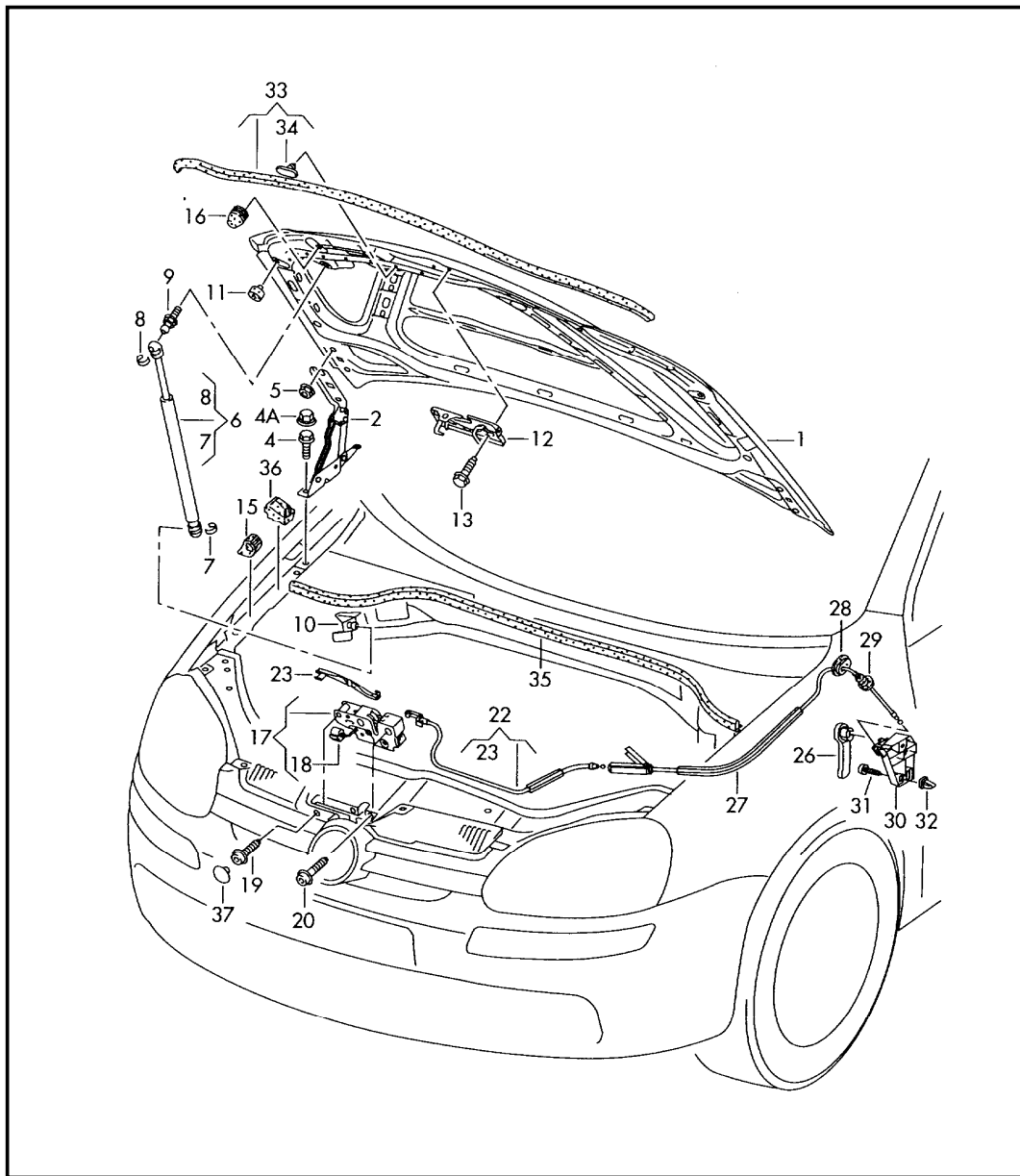
Pos	Part Number	Name	Remarks	Qty	Model	Pos	Part Number	Name	Remarks	Qty	Model
30	1K1 260 113 D	water drain pipe	lhd	1							
31	3C1 898 001 A	1 set of levers for air distribution housing		1							
32	N 104 241 01	tapping screw,hex.hd.	4X16H	X							
-	1K0 820 080	gasket		1							
34	1K0 898 471 A	gasket set for air conditioner		1							
35	+ 8E0 260 749 D	round seal	14X1,8	X							
36	+ 8E0 260 749	round seal	10,8X1,82	X							
43	3C0 819 422	cover for dust-pollen filter		1							
44	3C1 819 349	cover		1							
-	1K1 819 473 H	bracket heater		1							
-	3C1 820 215	adapter FÜR HANDSCHUHKASTENKUEHLUNG		1							
-	N 905 329 01	bolt, hex. hd. (combi.)	M6X16-U-S1	X							
-	3C0 820 751	grommet		1							
-	3C0 820 061	gasket expansion valve		1							
-	3C0 819 165	gasket		1							

Model	Year	MG	SG	Illustration	Restrictions	UPD	21:58	04.12.2006		ETKA
GO	2007	8	21	821-10	Rabbit/GTI	597	USA			




Pos	Part Number	Name	Remarks	Qty	Model
		fender wheelhouse protector	front		
1	1K6 821 021 A	fender	left	1	
		as required use:	1K0 898 625	1	
(1)	1K6 821 022 A	fender	right	1	
		as required use:	1K0 898 625	1	
-	1K0 898 625	1 set of securing parts for fender		1	
2	N 909 491 01	innensechsrund-linsenschraube (kombi)	M6X12-E-L	2	
2A	N 901 671 01	bolt, hex. hd. (combi.)	M6X15	22	
3	N 905 708 02	hex. nut with washer	M6	2	
4	1K6 821 135	cross support	left	1	
(4)	1K6 821 136	cross support	right	1	
5	N 909 492 01	innensechsrund-linsenschraube (kombi)	M6X15,5-E-L	4	
6	1K0 864 663	deadener (expanding) for fender		2	
-	AKL 450 005 05	butyl adhesive / sealing cord	5X5000	1	
8	1K0 805 911 B	wheelhouse liner	left front lower	1	
(8)	1K0 805 911 C	wheelhouse liner for 6 speed manual transmiss.	left front lower	1	
(8)	1K0 805 912 A	wheelhouse liner	right front lower	1	
9	N 909 591 01	speed nut	5X16,5X11	14	
10	N 103 546 02	innensechsrund-blechschraube	5X16Z2	14	
11	1K0 805 977 B	wheelhouse liner	left front	1	
(11)	1K0 805 978 B	wheelhouse liner	right front	1	
12	N 908 338 01	expanding nut	4,8	12	
13	N 103 546 02	innensechsrund-blechschraube	5X16Z2	14	
14		attachment parts for one fender ** variant being prepared **			


Model	Year	MG	SG	Illustration	Restrictions	UPD	21:58	04.12.2006		ETKA
GO	2007	8	23	823-10	Rabbit/GTI	597	USA			

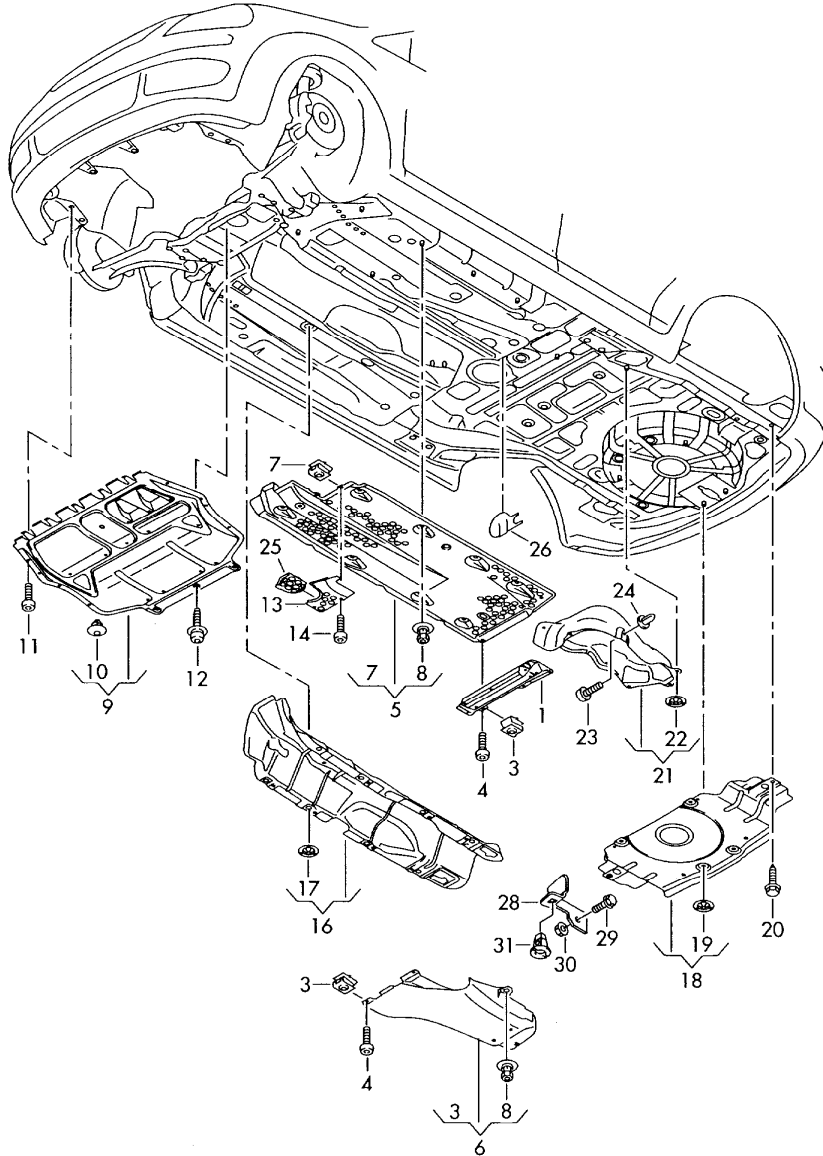


Pos	Part Number	Name	Remarks	Qty	Model
		flap	front		
1	1K0 823 031 G	front hood		1	
		as required use:	1K0 898 615	1	
-	1K0 898 615	1 set of securing parts front hood		1	
(2)	1K0 823 301 C	hinge - hood	left	1	
2	1K0 823 302 C	hinge - hood	right	1	
4	N 908 221 01	bolt, hex. hd. with shoulder	M8X16-V	4	
5	N 015 083 11	shouldered hex. nut	M8	4	
6	1K0 823 359 A	gas-filled strut		1	
7	443 823 397	clamp		2	
8	1H5 827 905	safety clamp piston rod		4	
9	1J6 827 439 A	ball pin		1	
10		ball pin	see illustration: 803-00		
(11)	3B0 823 499 B	buffer	23,5X22	2	
12	1K0 823 480	hook		1	
13	N 910 799 01	bolt, hex. hd. (combi.)	M6X16	3	
15	1K0 823 493	guide piece		2	
16	867 827 500 A	buffer	30X22/12	2	
17	1K1 823 509 E	hood lock - lower part	lhd	1	
18	1K0 953 236 B	micro switch		1	
19	N 909 936 01	innensechsrundschraube, selbstsichernd	M6X25-H	1	
20	N 909 177 01	innensechsrund-linsenbundschraube, selbstsichernd	M6X62-H-W	2	
(22)	1K1 823 531 C	cable - hood lock	lhd	1	
23		contained in key:	22		
26	1J1 823 533 C	handle for hood lock cable	lhd	1	


Model	Year	MG	SG	Illustration	Restrictions	UPD	21:58	04.12.2006		ETKA
GO	2007	8	23	823-10	Rabbit/GTI	597	USA			

Pos	Part Number	Name	Remarks	Qty	Model	Pos	Part Number	Name	Remarks	Qty	Model
	06/05 7G8	beige	-HS, JU, KJ, KW, MU, TH, TN, UN, VU								
	06/05 71N	anthracite	-HA, HB, HE, HQ, IG, JS, KG, KK, KL, KU, MQ, RS, . RT, RZ, TG, TK, UL, VT, WT, IK, 28, 29								
27	1K1 823 535 A	cable - hood lock	rear	lhd	1						
28	1K1 823 544	grommet		lhd	1						
29	1K0 823 591 B	grommet	18MM		1						
30	1K1 823 633	bracket		lhd	1						
31	N 905 488 01	tapping screw	4, 8X19		2						
32	N 905 410 01	expanding nut	CST4, 2X7, 3		2						
33	1K0 823 707 A	gasket for flap	left		1						
			shorten by:								
34	+ 1H0 823 717	clip	17X5, 5X8, 6		X						
35	1K0 823 723 B	seal for water box			1						
(36)	1K0 823 729 B	insert	left		1						
36	1K0 823 730 B	insert	right		1						
37	1K0 823 753	plug			1						


Model	Year	MG	SG	Illustration	Restrictions	UPD	21:58	04.12.2006		ETKA
GO	2007	8	25	825-15	Rabbit/GTI	597	USA			

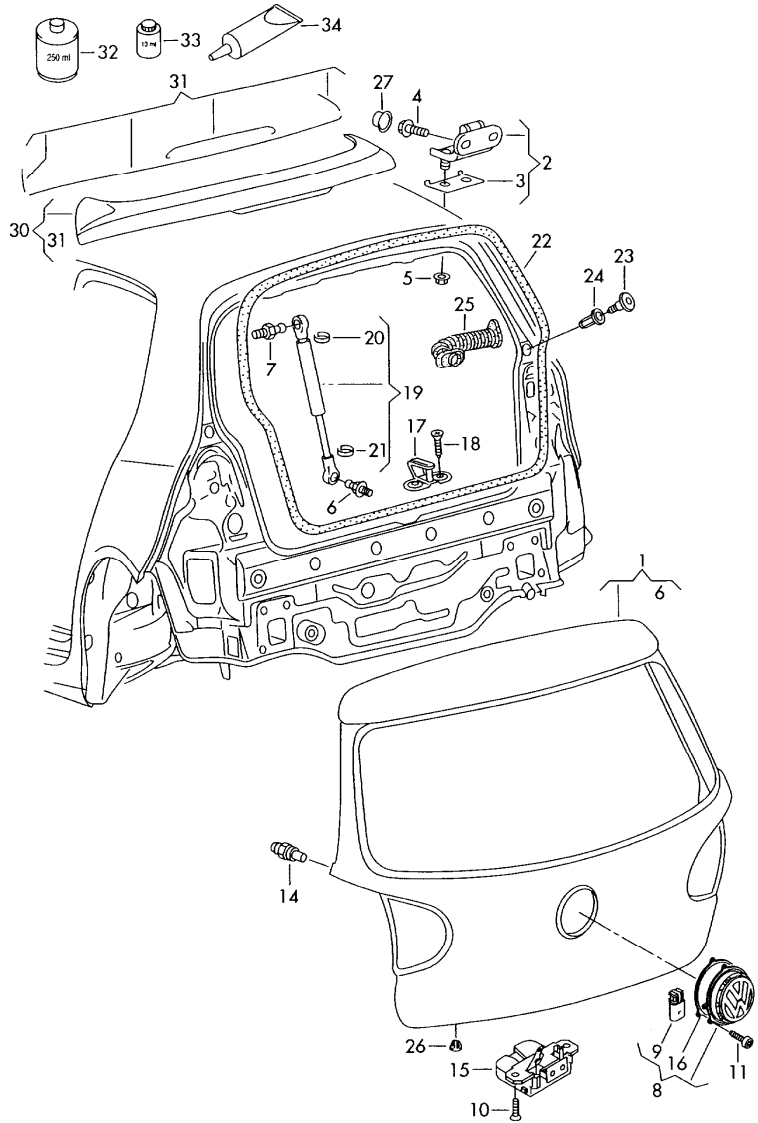


Pos	Part Number	Name	Remarks	Qty	Model
		underbody lining sound dampening pan heatshield			
1	1K0 825 001 A	stone guard for vehicles with rough road equipment	left rear	1	
(1)	1K0 825 002 A	stone guard for vehicles with rough road equipment	right rear	1	
3	N 909 591 01	speed nut	5X16,5X11	X	
4	N 103 546 02	innensechsrund-blechschaube	5X16Z2	5	
5	1K0 825 201 M	underbody lining	left	1	
(5)	1K0 825 201 M	underbody lining for vehicles with rough road equipment	left	1	
		also use:	1K0 825 001 A	1	
			N 909 591 01	3	
			N 103 546 01	6	
(5)	1K0 825 202 AF	underbody lining	right	1	
7	+ N 909 707 01	speed nut	ST4,8X17X11,3	4	
8	WHT 000 713	shouldered hex. nut	K5	16	
10	+ N 905 333 01	clip	9X9,4X20	X	
11	N 103 546 02	innensechsrund-blechschaube	5X16Z2	8	
12	1K0 825 951	innensechsrundschaube (kombi)	M6X20	3	
13	1K0 825 271 A	cover	left front	1	
(13)	1K0 825 272 A	cover	right front	1	
14	N 103 546 02	innensechsrund-blechschaube	5X16Z2	8	
(16)	1K0 825 661 K	heat shield for tunnel for 4 wheel drive	front	1	
16	1K0 825 671 M	heat shield for tunnel	center	1	
17	+ N 907 965 01	clamping washer	B5X30X0,4	X	
18	1K0 825 711 F	heat shield for exhaust muffler, rear		1	
19	+ N 907 965 01	clamping washer for 4 wheel drive	B5X30X0,4	4	
				1	
20	N 904 718 02	screw, hex. hd.	M8X18	1	


Model	Year	MG	SG	Illustration	Restrictions	UPD	21:58	04.12.2006		ETKA
GO	2007	8	25	825-15	Rabbit/GTI	597	USA			

Pos	Part Number	Name	Remarks	Qty	Model	Pos	Part Number	Name	Remarks	Qty	Model
(20)	N 103 546 02	innensechsrund-blechschraube for 4 wheel drive	5X16Z2	2							
21	1K0 825 721 B	heat shield for middle exhaust muffler		1							
22	+ N 907 965 01	clamping washer	B5X30X0,4	2							
23	N 103 546 02	innensechsrund-blechschraube	5X16Z2	1							
24	+ N 908 338 01	expanding nut	4,8	1							
25	1K0 825 961 B	plug	left	1							
(25)	1K0 825 962 B	plug	right	1							


Model	Year	MG	SG	Illustration	Restrictions	UPD	21:58	04.12.2006		ETKA
GO	2007	8	27	827-20	Rabbit/GTI	597	USA			

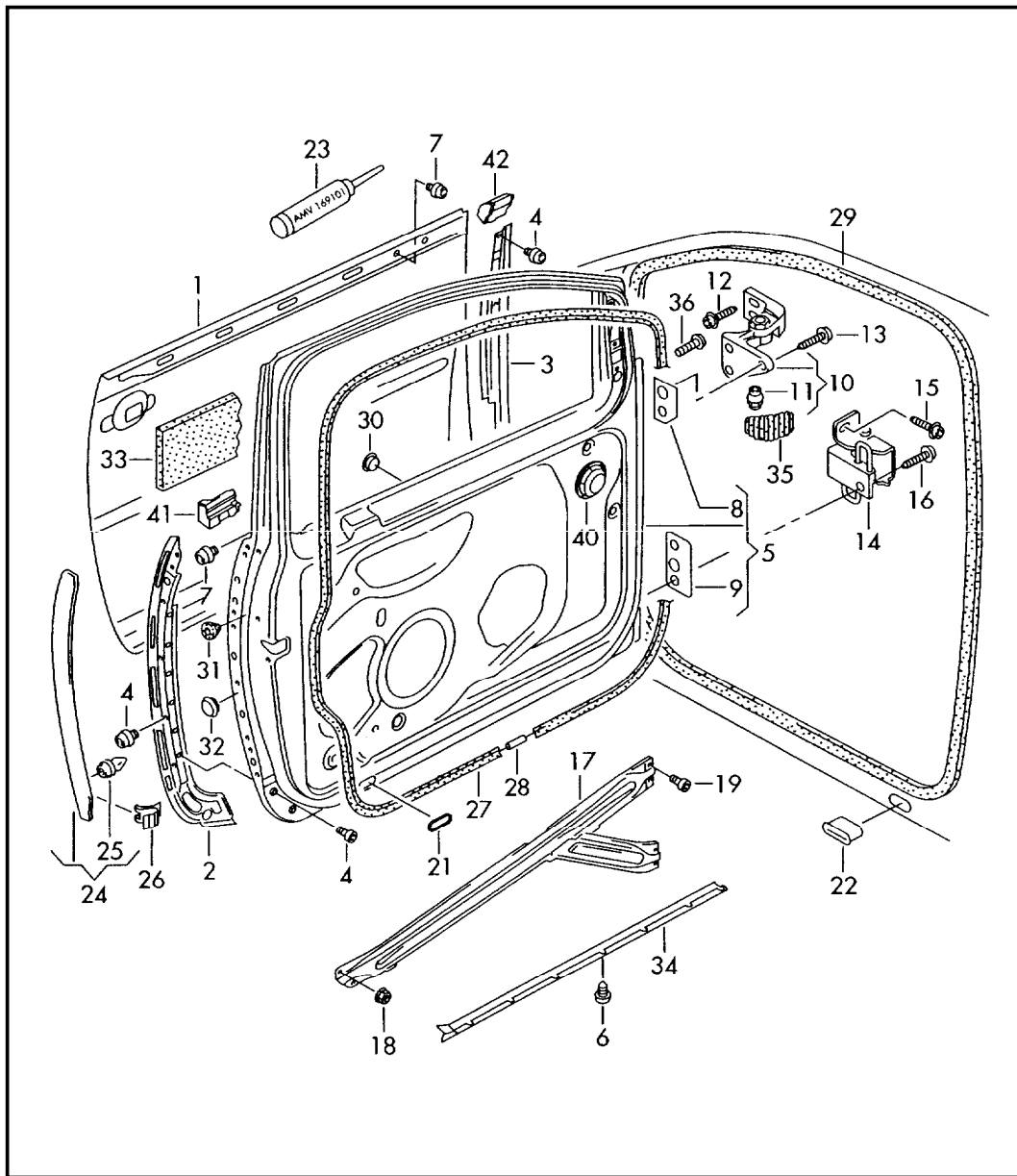


Pos	Part Number	Name	Remarks	Qty	Model
		hood, rear			
		hood - lock			
(1)	1K6 827 025 H	hood, rear		1	
		as required use:	1K0 898 617	1	
-	1K0 898 617	1 set of securing parts for flap, rear		1	
2	1K6 827 301 C	hinge - hood		2	
4	N 907 322 01	12-point socket shoulder screw	M6X18-V	4	
5	N 907 988 03	shouldered hex. nut		2	
6	4B5 827 439	ball pin	M8X18	2	
7	1J6 827 439	ball pin		4	
(8)	1K0 827 469 F	oper.mechan.with micro switch		1	
		02/06-03/06ULM	chrome colored/black		
8	1K0 827 469 G	oper.mechan.with micro switch		1	
		04/06 ULM	chrome colored/black		
9	1K0 962 103	micro switch		1	
10	N 909 316 01	bolt, with polygon socket hd.	M8X20-W	2	
11	+ N 906 262 01	innensechsrund-linsenschraube	M5X13,6	5	
14	6Q6 827 499 C	buffer, adjustable		2	
15	1K6 827 505 C	hood - lock	rear	1	
		06/05 9B9	satin black		
16	1K0 827 634	gasket		1	
17	1T0 827 517	striker plate		1	
18	N 908 406 01	fitted bolt	M8X12X23-J	2	
(18)	N 907 448 03	screw, csk. hd. with polygon socket hd.	M8X20ASP	2	
19	1K6 827 550 F	gas-filled strut		2	
20	443 823 397	clamp		2	
21	1H5 827 905	safety clamp		2	
22	1K6 827 705 B	gasket	3561MM	1	


Model	Year	MG	SG	Illustration	Restrictions	UPD	21:58	04.12.2006		ETKA
GO	2007	8	27	827-20	Rabbit/GTI	597	USA			

Pos	Part Number	Name	Remarks	Qty	Model	Pos	Part Number	Name	Remarks	Qty	Model
	06/05 9B9	satin black									
23	6X0 827 951 A	plug	7,5/25	2							
24	N 908 051 01	rivettted cap nut	M6/0,8-3-B	2							
25		boot									
		see illustration:	972-82								
26	1J0 827 713	plug	9,3	3							
		spoiler			PR-5J4						
30	1K6 827 933 D	spoiler		1							
		also use:	1K6 898 533	1							
	06/05 GRU	primed									
31	1K6 898 533	gasket set		1							
32	D 009 401 04	all purpose cleaner	250ML	1							
33	D 009 200 02	primer for glass and paint	10ML	1							
34	DH 009 100 03	1k window adhesive	110ML	1							


Model	Year	MG	SG	Illustration	Restrictions	UPD	21:58	04.12.2006		ETKA
GO	2007	8	31	831-10	Rabbit/GTI	597	USA			




Pos	Part Number	Name	Remarks	Qty	Model
		doors door hinge check rod - door door seal	front		
1	1K3 831 105 J	door outer skin	left 2 doors also use: see workshop manual as required use:	1	
(1)	1K4 831 105 G	door outer skin	left 4-door also use: see workshop manual	1	
(1)	1K3 831 106 J	door outer skin	right 2 doors also use: see workshop manual	1	
(1)	1K4 831 106 G	door outer skin	right 4-door also use: see workshop manual	1	
-	1K0 898 619	1 set of securing parts doors		1	
-	D 438 520 A2	door repair kit adhesives and sealing compound		1	
2	1K3 831 299 E	retaining strip	left rear 2 doors	1	
(2)	1K4 831 299 D	retaining strip	left rear 4-door	1	
(2)	1K3 831 300 E	retaining strip	right rear 2 doors	1	
(2)	1K4 831 300 D	retaining strip	right rear 4-door	1	
3	1K0 831 307 F	retaining strip	left front	1	
(3)	1K0 831 308 F	retaining strip	right front	1	
4	WHT 000 402	innensechsrund-zylinder- schraube (kombi)	M6X11,5	10	
5	1K3 831 301 R	door inner part	left 2 doors	1	
(5)	1K4 831 301 R	door inner part	left 4-door	1	

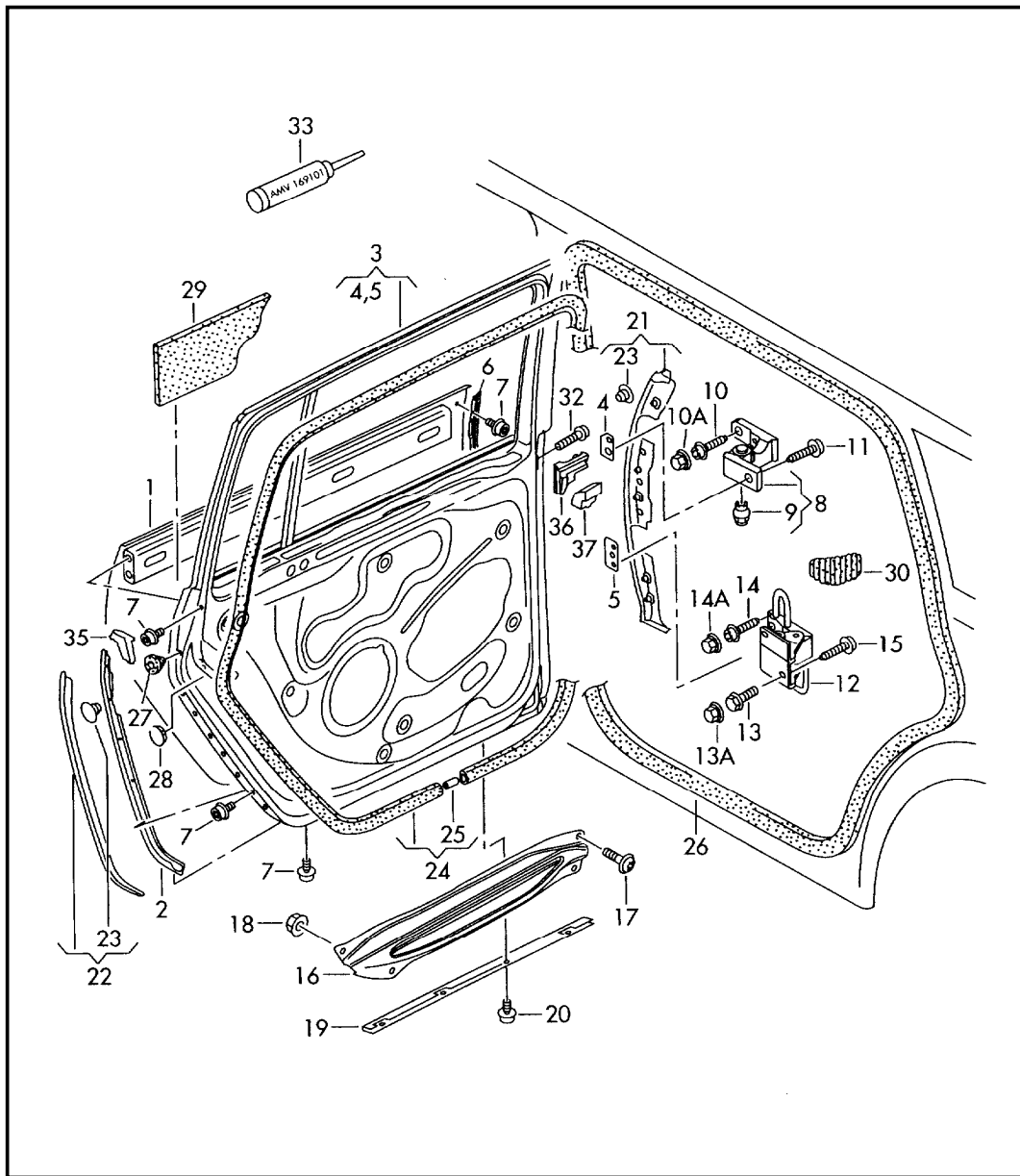
Model	Year	MG	SG	Illustration	Restrictions	UPD	21:58	04.12.2006		ETKA
GO	2007	8	31	831-10	Rabbit/GTI	597	USA			

Pos	Part Number	Name	Remarks	Qty	Model	Pos	Part Number	Name	Remarks	Qty	Model
(5)	1K3 831 302 R	door inner part	right 2 doors	1		19	+ N 908 005 01	innensechsrund-linsenschraube (kombi), selbstsichernd	M8X14-S13	8	
(5)	1K4 831 302 R	door inner part	right 4-door	1		21	1K3 837 707 A	grommet		2	
6	WHT 000 329	innensechsrund-zylinder- schraube (kombi)	M6X14,5	10		22	1K3 831 469 A	grommet		2	
7	WHT 000 329	innensechsrund-zylinder- schraube (kombi)	M6X14,5	6		23	DH 009 100 03	1k window adhesive	110ML	1	
8	1K0 831 281 B	spacer plate	left upper	1		24	1K3 837 381 C	connecting strip	left rear 2 doors	1	
(8)	1K0 831 282 B	spacer plate	right upper	1			06/05 9B9	satin black			
9	1K0 831 287 B	spacer plate	left lower	1		(24)	1K4 837 381 C	connecting strip	left rear 4-door	1	
(9)	1K0 831 288 B	spacer plate	right lower	1			06/05 9B9	satin black			
10	1K0 831 401 J	door hinge	left upper	1		(24)	1K3 837 382 C	connecting strip	right rear 2 doors	1	
(10)	1K0 831 402 J	door hinge	right upper	1			06/05 9B9	satin black			
11	WHT 000 340	tapered nut	M8X1	2		(24)	1K4 837 382 C	connecting strip	right rear 4-door	1	
12	N 909 305 02	bolt, hex. hd. with polygon socket	M8X24-TM	4			06/05 9B9	satin black			
13	N 910 703 01	bolt, with polygon socket hd.	M10X18-TM	2		25	1K6 837 200 A	clip	left 2 doors 4-door	10 12	
14	1K0 831 411 K	door hinge	left lower	1		26	1K3 837 073	spring clip	2 doors	2	
(14)	1K0 831 412 K	door hinge	right lower	1		27	1K3 837 701 E	door seal, outer	left 2 doors	1	
15	N 909 305 02	bolt, hex. hd. with polygon socket	M8X24-TM	4			03/06 9B9	satin black			
16	N 910 703 01	bolt, with polygon socket hd.	M10X18-TM	4		(27)	1K4 837 701 D	door seal, outer	left 4-door	1	
17	1K3 831 505 F	impact beam	left 2 doors	1			03/06 9B9	satin black			
(17)	1K4 831 505 D	impact beam	left 4-door	1		(27)	1K3 837 702 E	door seal, outer	right 2 doors	1	
(17)	1K3 831 506 F	impact beam	right 2 doors	1			03/06 9B9	satin black			
(17)	1K4 831 506 D	impact beam	right 4-door	1		(27)	1K4 837 702 D	door seal, outer	right 4-door	1	
18	N 903 484 03	hex. nut with washer	M8	4		28	1K0 837 299	connecting piece		2	


Model	Year	MG	SG	Illustration	Restrictions	UPD	21:58	04.12.2006		ETKA
GO	2007	8	31	831-10	Rabbit/GTI	597	USA			

Pos	Part Number	Name	Remarks	Qty	Model	Pos	Part Number	Name	Remarks	Qty	Model
29	1K3 867 911 E	door seal, inner	left 2 doors	1		42	1K0 868 759	sound absorber for door pillar a	left	1	
	06/05 9B9	satin black				(42)	1K0 868 760	sound absorber for door pillar a	right	1	
(29)	1K4 867 911 E	door seal, inner	left 4-door	1							
	06/05 9B9	satin black									
(29)	1K3 867 912 E	door seal, inner	right 2 doors	1							
	06/05 9B9	satin black									
(29)	1K4 867 912 E	door seal, inner	right 4-door	1							
	06/05 9B9	satin black									
30	N 906 612 01	plug	4X4X7	X							
31	N 020 025 1	plug	A12X1	2							
32	8Z0 837 111	plug	16	2							
	06/05 B41	satin black									
33	323 863 950	sound absorber (adhesive) 'order qty. 6' to fit use workshop material	550X250X2	X							
(33)	DH 009 100	1k window adhesive	300ML	1							
34		protective edging see illustration:	837-60								
35		boot see illustration:	972-35								
36	+ WHT 000 410	innensechsrund-zylinder- schraube (kombi)	M6X14,5	2							
40	1K0 831 821 A	cover		2							
41	1K0 868 759 A	sound absorber for door pillar b	left 2 doors	1							
(41)	1K0 868 760 A	sound absorber for door pillar b	right 2 doors	1							
(41)	1K0 868 759 B	sound absorber for door pillar b	left 4-door	1							
(41)	1K0 868 760 B	sound absorber for door pillar b	right 4-door	1							


Model	Year	MG	SG	Illustration	Restrictions	UPD	22:00	04.12.2006		ETKA
GO	2007	8	33	833-10	Rabbit/GTI	597	USA			

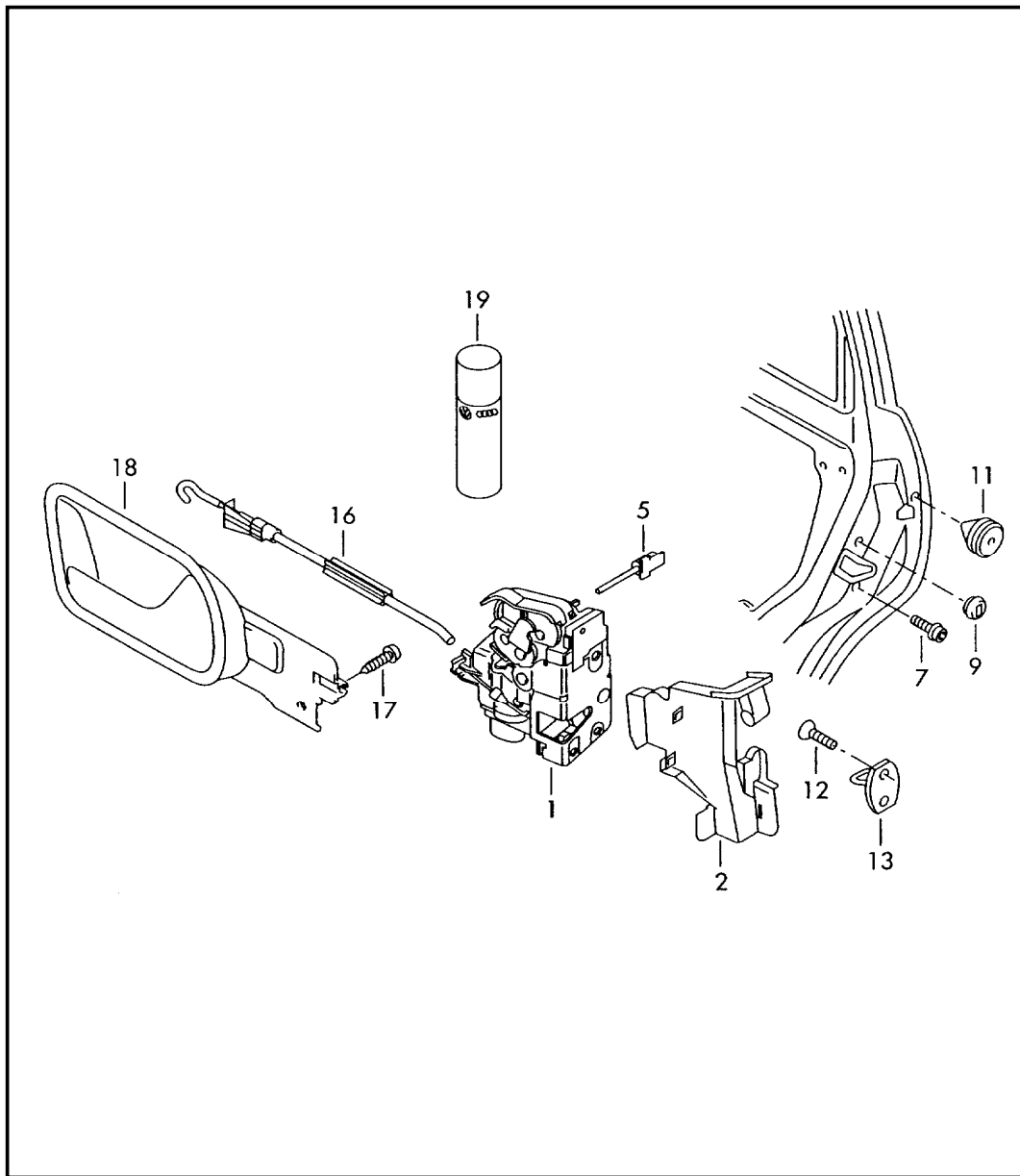


Pos	Part Number	Name	Remarks	Qty	Model
		doors door hinge check rod - door door seal	rear		
1	1K6 833 105 H	door outer skin	left also use: see workshop manual as required use:	1	
(1)	1K6 833 106 H	door outer skin	right also use: see workshop manual as required use:	1	
-	1K0 898 619	1 set of securing parts doors		1	
-	D 438 520 A2	door repair kit adhesives and sealing compound		1	
2	1K6 833 299 F	retaining strip	left rear	1	
(2)	1K6 833 300 F	retaining strip	right rear	1	
3	1K6 833 301 T	door inner part F 1K-6-160 001>>*	left	1	
(3)	1K6 833 302 T	door inner part F 1K-6-160 001>>*	right	1	
4	1K0 831 281 B	spacer plate	left upper	1	
(4)	1K0 831 282 B	spacer plate	right upper	1	
5	1K0 831 287 B	spacer plate	left lower	1	
(5)	1K0 831 288 B	spacer plate	right lower	1	
6	1K6 833 307 F	retaining strip	left front	1	
(6)	1K6 833 308 F	retaining strip	right front	1	
7	WHT 000 329	innensechsrund-zylinder- schraube (kombi)	M6X14,5	X	
8	1K4 833 401 J	door hinge	left upper	1	
(8)	1K4 833 402 J	door hinge	right upper	1	
9	WHT 000 340	tapered nut	M8X1	2	
10	N 909 305 02	bolt, hex. hd. with polygon socket	M8X24-TM	2	


Model	Year	MG	SG	Illustration	Restrictions	UPD	22:00	04.12.2006		ETKA
GO	2007	8	33	833-10	Rabbit/GTI	597	USA			

Pos	Part Number	Name	Remarks	Qty	Model	Pos	Part Number	Name	Remarks	Qty	Model
10A	N 909 685 01	cap	13X8,5 black	2	"J.."		06/05 9B9	satin black			
11	N 910 703 01	bolt, with polygon socket hd.	M10X18-TM	2		(24)	1K6 839 702 D	door seal, outer	right	1	
12	1K4 833 411 K	door hinge	left lower	1		(24)	06/05 9B9	satin black			
(12)	1K4 833 412 K	door hinge	right lower	1			1K6 839 702 F	door seal, outer	right	1	
13	N 909 305 02	bolt, hex. hd. with polygon socket	M8X24-TM	2		25	06/05 9B9	satin black			
13A	N 909 685 01	cap	13X8,5 black	2	"J.."	26	1K0 837 299	connecting piece		2	
14	N 908 232 01	bolt, with polygon socket hd.	M8X28-H-TM	2		(26)	1K6 867 911 E	door seal, inner	left	1	
14A	N 909 685 01	cap	13X8,5 black	2	"J.."		06/05 9B9	satin black			
(15)	N 910 703 01	bolt, with polygon socket hd.	M10X18-TM	4		27	1K6 867 912 E	door seal, inner	right	1	
16	1K6 833 505 A	impact beam	left	1		28	06/05 9B9	satin black			
(16)	1K6 833 506 A	impact beam	right	1		29	N 020 025 1	plug	A12X1	2	
17	+ N 908 005 01	innensechsrund-linsenschraube (kombi), selbstsichernd	M8X14-S13	4		28	8Z0 837 111	plug	16	2	
18	N 903 484 03	hex. nut with washer	M8	4			06/05 B41	satin black			
19		protective edging see illustration:	839-60			29	323 863 950	sound absorber (adhesive) 'order qty. 6' to fit use workshop material	550X250X2	X	
20	WHT 000 329	innensechsrund-zylinder- schraube (kombi)	M6X14,5	6		30		boot	see illustration:	972-36	
21		see catalogue:	420			32	+ WHT 000 410	innensechsrund-zylinder- schraube (kombi)	M6X14,5	2	
22	1K6 839 373 C	connecting strip	left rear	1		33	DH 009 100 03	1k window adhesive	110ML	1	
(22)	06/05 9B9	satin black				(33)	DH 009 100	1k window adhesive	300ML	1	
23	1K6 837 200 A	clip	left	20		35	1K0 868 759 D	sound absorber for door pillar c	left	1	
(24)	1K6 839 701 D	door seal, outer	left	1		(35)	1K0 868 760 D	sound absorber for door pillar c	right	1	
	06/05 9B9	satin black				36	1K0 868 759 E	sound absorber for door pillar b	left outer	1	
24	1K6 839 701 F	door seal, outer	left	1		(36)	1K0 868 760 E	sound absorber for door pillar b	right outer	1	
						37	1K0 868 759 C	sound absorber for door pillar b	left inner	1	
						(37)	1K0 868 760 C	sound absorber for door pillar b	right inner	1	


Model	Year	MG	SG	Illustration	Restrictions	UPD	22:01	04.12.2006		ETKA
GO	2007	8	37	837-00	Rabbit/GTI	597	USA			

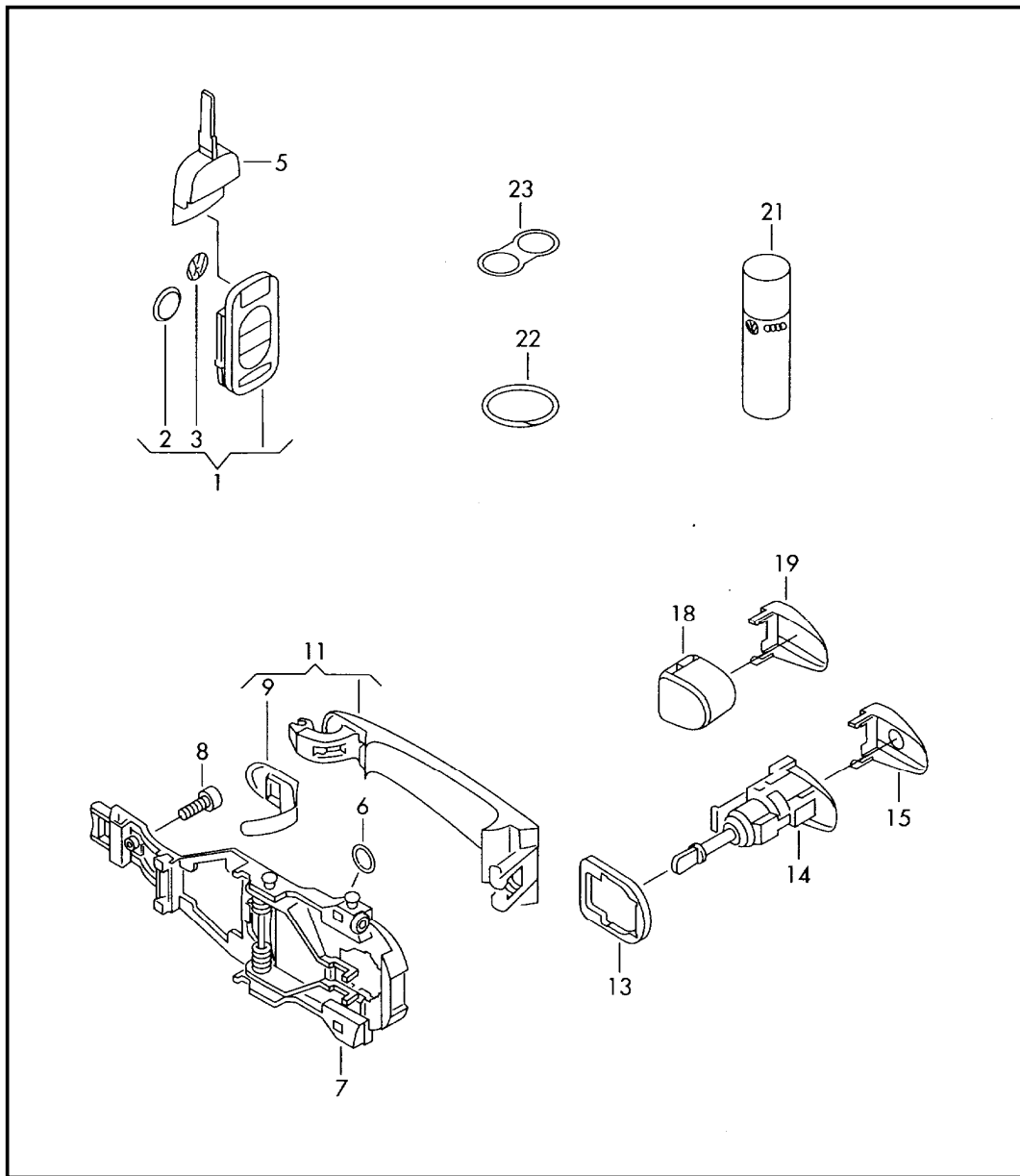


Pos	Part Number	Name	Remarks	Qty	Model
		door lock	front		
(1)	3B1 837 015 P	door lock for vehicles with radio contr. central locking system	left	1	PR-4K0
1	3B1 837 016 AA	door lock for vehicles with radio contr. central locking system	right	1	PR-4K0
(2)	1K0 837 349	cap	left	1	
2	1K0 837 350	cap	right	1	
(5)	1K0 837 069	bowden cable with clip	left	1	
5	1K0 837 070	bowden cable with clip	right	1	
7	WHT 000 439	screw, round hd.	M8X20	4	
9	8Z0 837 111	plug	16	2	
	06/05 B41	satin black			
11	N 020 025 1	plug	A12X1	2	
12	N 908 047 05	screw, csk. hd. with polygon socket hd.	M8X22-SP	4	
13	1K0 837 033	striker		1	
		interior operation	front		
(16)	1K3 837 085	bowden cable	left 2 doors	lhd 1	1
(16)	1K3 837 085 B	bowden cable	left 2 doors	lhd 1	1
16	1K3 837 086	bowden cable	right 2 doors	lhd 1	1
16	1K3 837 086 B	bowden cable	right 2 doors	lhd 1	1
(16)	1K4 837 085	bowden cable	left 4-door	lhd 1	1
(16)	1K4 837 086	bowden cable	right 4-door	lhd 1	1
(16)	1K4 837 086 B	bowden cable	right 4-door	lhd 1	1
17	N 909 187 01	innensechsrund-blechschaube	4X12-Q	1	


Model	Year	MG	SG	Illustration	Restrictions	UPD	22:01	04.12.2006		ETKA
GO	2007	8	37	837-00	Rabbit/GTI	597	USA			

Pos	Part Number	Name	Remarks	Qty	Model	Pos	Part Number	Name	Remarks	Qty	Model
(18)	1K1 837 113 E	interior operation	left lhd	1							
	06/05 UAQ	alu/titanium black									
18	1K1 837 114 D	interior operation	right lhd	1							
	06/05 UAQ	alu/titanium black									
19	G 052 778 A2	lock cylinder lubricant spray	50ML	1							


Model	Year	MG	SG	Illustration	Restrictions	UPD	22:01	04.12.2006		ETKA
GO	2007	8	37	837-10	Rabbit/GTI	597	USA			

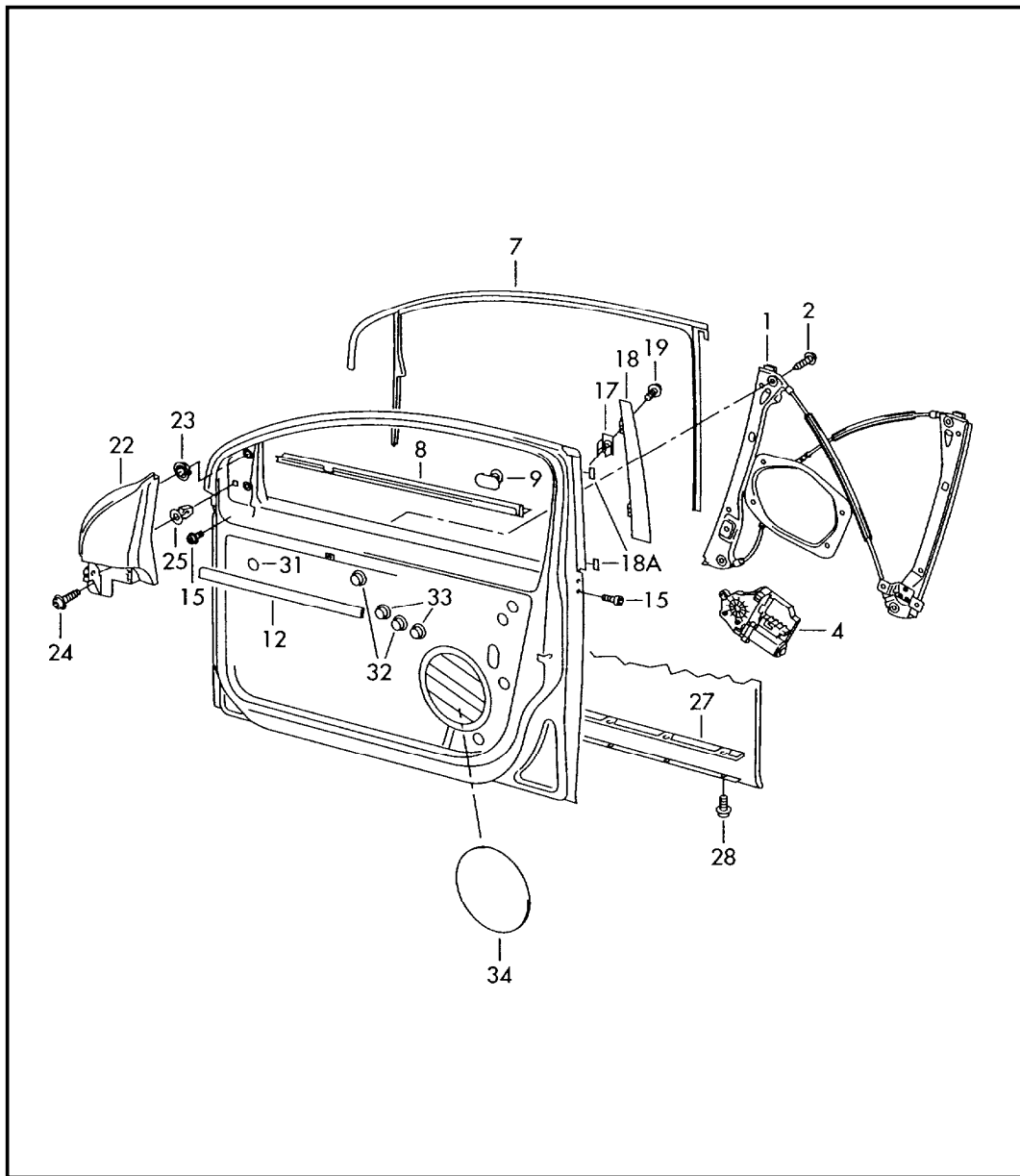


Pos	Part Number	Name	Remarks	Qty	Model
		key			
1	1K0 959 753 H	remote control transmitter for led-radio control central locking system (square key pad)	3 buttons 315MHZ	1	PR-5D2+7K0, 7K6
	02/06 9B9	satin black			
(1)	1K0 959 753 P	remote control transmitter for led-radio control central locking system (square key pad)	3 buttons 315MHZ	1	PR-5D2+7K4
	02/06 9B9	satin black			
2	+ N 105 283 01	micro-cell battery	3,0V	1	
3	3B0 837 891	vw sign		1	
	06/05 09Z	bright silver/blue/white			
4	1K0 837 219 A	secondary key with change code transponder *indicate vin number when *ordering		1	
f	03/06 INB	inner profile			
5	1T0 837 246	main key with change code transponder for radio control central locking system (folding key shaft, for rectangular key pad) *indicate vin number when *ordering		1	
f	06/05 INB	inner profile			
-	4D0 905 835	key ring		1	
		door handle, outer	front		
6	7H0 820 898	round seal	14, 3X2, 4	2	
(7)	1K0 837 885	support with hole for lock cylinder	left	1	
7	1K0 837 886	support with hole for lock cylinder	right	1	
8	N 908 976 01	innensechsrund-linsenschraube	M5X9,7	X	
9	3B0 837 209 A	packing	front	1	


Model	Year	MG	SG	Illustration	Restrictions	UPD	22:01	04.12.2006		ETKA
GO	2007	8	37	837-10	Rabbit/GTI	597	USA			

Pos	Part Number	Name	Remarks	Qty	Model	Pos	Part Number	Name	Remarks	Qty	Model
	06/05 01C	satin black									
(11)	3B0 837 205 F	door handle, outer		2							
	06/05 3FZ	satin black									
11	3B0 837 205 G	door handle, outer		2							
	06/05 GRU	primed									
13	1K0 837 211	packing	rear	1							
	06/05 9B9	satin black									
(14)	f 107 837 167 GF	lock cylinder with housing * to retain the one key * system the key code * number and/or vehicle * ident.number (vin) must * be quoted when ordering	left lhd	1							
15	3B0 837 879	cap		1							
	06/05 3FZ	satin black									
(15)	3B0 837 879 A	cap		1							
	06/05 GRU	primed									
18	1K4 839 167	housing		2							
19	3B4 839 879	cap		2							
	06/05 3FZ	satin black									
(19)	3B4 839 879 A	cap		2							
	06/05 GRU	primed									
21	G 052 778 A2	lock cylinder lubricant spray	50ML	1							
22	181 837 220	key ring		X							
23	4D0 905 835	key ring		1							
		lock cylinder sets									
-	f 1K6 800 375 AF	1 lock cylinder set for door handle and ignition lock switch	lhd	1	PR-4K0						
-	f 1K6 800 375 AJ	1 lock cylinder set for door handle and ignition lock switch	lhd	1	PR-4K0						


Model	Year	MG	SG	Illustration	Restrictions	UPD	22:01	04.12.2006		ETKA
GO	2007	8	37	837-60	Rabbit/GTI	597	USA			




Pos	Part Number	Name	Remarks	Qty	Model
		window lifter	front		
(1)	1K3 837 461 A	window lifter without motor	left 2 doors	1	
1	1K3 837 462 A	window lifter without motor	right 2 doors	1	
(1)	1K4 837 461 A	window lifter without motor	left 4-door	1	
(1)	1K4 837 462 A	window lifter without motor	right 4-door	1	
2	WHT 000 010	innensechsrund-blechschaube	upper M6X22	4	
(2)	WHT 000 009	innensechsrund-blechschaube	lower M6X10	6	
4		window lifter motor see illustration:	959-10		
		window guide	front		
(7)	1K3 837 431 B	window guide	left 2 doors	1	
	06/05-01/065AP	black			
(7)	1K3 837 431 C	window guide	left 2 doors	1	
	02/06-03/065AP	black			
(7)	1K3 837 431 D	window guide	left 2 doors	1	
	04/06 5AP	black			
7	1K3 837 432 B	window guide	right 2 doors	1	
	06/05-01/065AP	black			
7	1K3 837 432 C	window guide	right 2 doors	1	
	02/06-03/065AP	black			
7	1K3 837 432 D	window guide	right 2 doors	1	
	04/06 5AP	black			

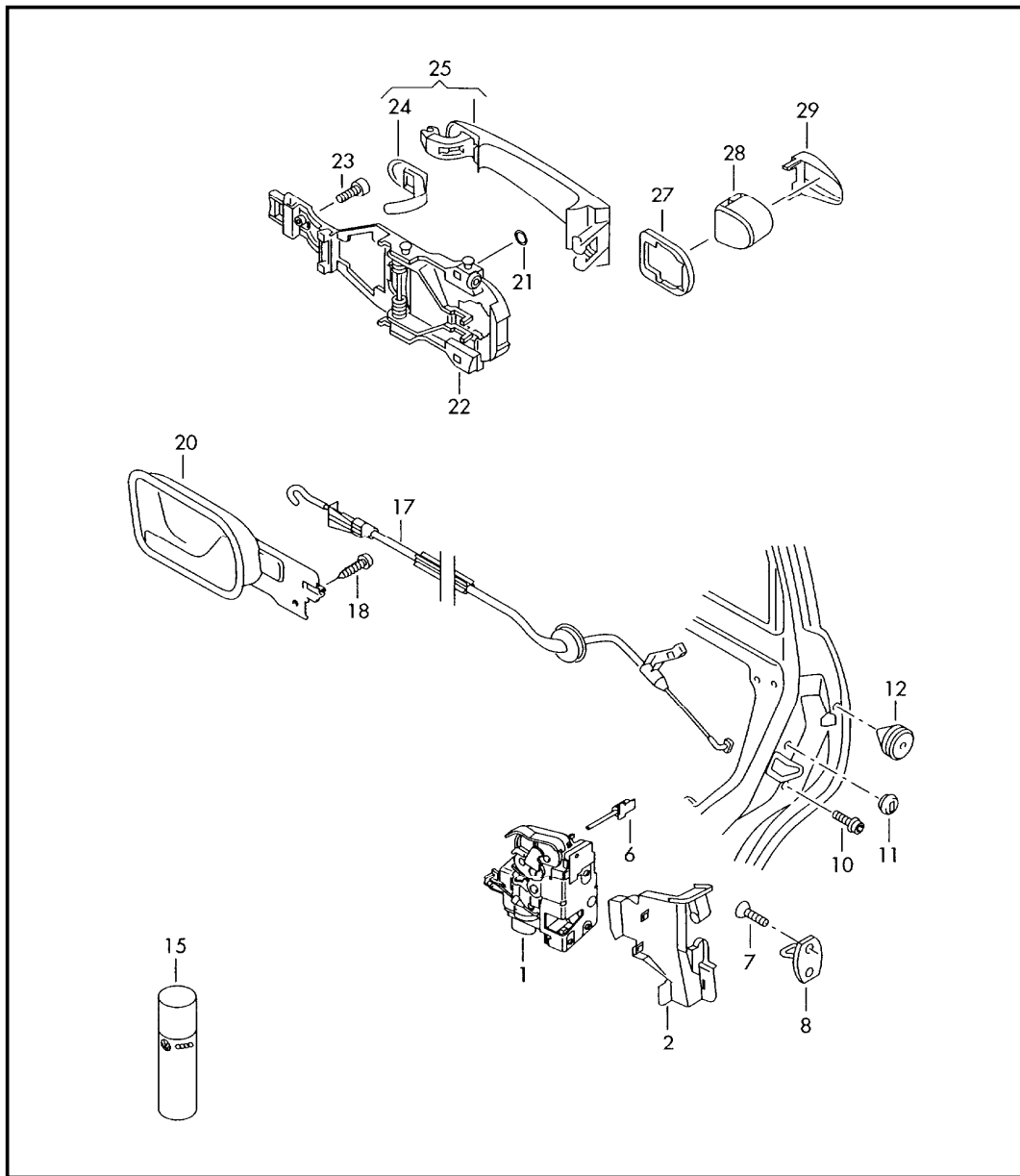
Model	Year	MG	SG	Illustration	Restrictions	UPD	22:01	04.12.2006		ETKA
GO	2007	8	37	837-60	Rabbit/GTI	597	USA			

Pos	Part Number	Name	Remarks	Qty	Model	Pos	Part Number	Name	Remarks	Qty	Model
(7)	1K4 837 431 C	window guide	left 4-door	1		12	1K3 837 472 A	window slot seal	right inner 2 doors	1	
	06/05 5AP	black					06/05 5AP	black			
(7)	1K4 837 432 C	window guide	right 4-door	1		12	1K3 837 472 C	window slot seal	right inner 2 doors	1	
	06/05 5AP	black					06/05 5AP	black			
		window slot seal	front			(12)	1K4 837 471 A	window slot seal	left inner 4-door	1	
(8)	1K3 837 477 A	window slot seal	left outer 2 doors	1			06/05 5AP	black			
	06/05 5AP	black				(12)	1K4 837 471 C	window slot seal	left inner 4-door	1	
(8)	1K3 837 477 C	window slot seal	left outer 2 doors	1			06/05 5AP	black			
	02/06 5AP	black				(12)	1K4 837 472 A	window slot seal	right inner 4-door	1	
8	1K3 837 478 A	window slot seal	right outer 2 doors	1			06/05 5AP	black			
	06/05 5AP	black				(12)	1K4 837 472 C	window slot seal	right inner 4-door	1	
(8)	1K3 837 478 C	window slot seal	right outer 2 doors	1			06/05 5AP	black			
	02/06 5AP	black				15	WHT 000 402	innensechsrund-zylinder- schraube (kombi)	M6X11,5	1	
(8)	1K4 837 477 A	window slot seal	left outer 4-door	1				trim for door window frame			
	06/05 5AP	black				17 + N	902 577 03	speed nut	ST4,2	4	
(8)	1K4 837 478 A	window slot seal	right outer 4-door	1		(18)	1K3 837 901 B	trim for door window frame	left 2 doors	1	'GTI', 'R32'
	06/05 5AP	black					06/05 041	black			
9	1K0 837 199 A	clip		12		(18)	1K3 837 902 B	trim for door window frame	right 2 doors	1	'GTI', 'R32'
(12)	1K3 837 471 A	window slot seal	left inner 2 doors	1			06/05 041	black			
	06/05 5AP	black				(18)	1K4 837 901 B	trim for door window frame	left 4-door	1	'GTI', 'R32'
(12)	1K3 837 471 C	window slot seal	left inner 2 doors	1			06/05 041	black			
	06/05 5AP	black				(18)	1K4 837 902 B	trim for door window frame	right 4-door	1	'GTI', 'R32'


Model	Year	MG	SG	Illustration	Restrictions	UPD	22:01	04.12.2006		ETKA
GO	2007	8	37	837-60	Rabbit/GTI	597	USA			

Pos	Part Number	Name	Remarks	Qty	Model	Pos	Part Number	Name	Remarks	Qty	Model
	06/05 041	black				32	N 906 612 01	plug	4X4X7	4	
18A	1K0 837 963 A	intermediate layer (adhesive)		X		33	N 906 612 01	plug	4X4X7	4	
19	N 909 868 01	innensechsrund-blechschraube	ST4,2X13-R	1		34	1T0 837 903	cover for loudspeaker		2	PR-8RA
		trim with loudspeaker									
(22)	1K0 837 973 K	trim with loudspeaker	left	1	PR-8RL,8RW						
	06/05 9B9	satin black									
(22)	1K0 837 974 K	trim with loudspeaker	right	1	PR-8RL,8RW						
	06/05 9B9	satin black									
(22)	1K0 837 973 L	trim with loudspeaker	left	1	PR-9VG,9VJ						
	06/05 9B9	satin black									
(22)	1K0 837 974 L	trim with loudspeaker	right	1	PR-9VG,9VJ						
	06/05 9B9	satin black									
(22)	1K0 837 973 M	trim with loudspeaker	left	1	PR-8RE,8RM						
	11/05 9B9	satin black									
(22)	1K0 837 974 M	trim with loudspeaker	right	1	PR-8RE,8RM						
	11/05 9B9	satin black									
23	6Q0 837 975	expanding nut		2							
24	N 907 397 01	tapping screw	5X22-Q	2							
25 +	N 105 168 01	expanding nut	F5	2							
(27)	1K3 837 393 B	protective edging	left 2 doors	1							
27	1K3 837 394 B	protective edging	right 2 doors	1							
(27)	1K4 837 393 B	protective edging	left 4-door	1							
(27)	1K4 837 394 B	protective edging	right 4-door	1							
28	WHT 000 329	innensechsrund-zylinder-schraube (kombi)	M6X14,5	1							
29	N 102 265 01	plug	A30	X							


Model	Year	MG	SG	Illustration	Restrictions	UPD	22:01	04.12.2006		ETKA
GO	2007	8	39	839-00	Rabbit/GTI	597	USA			

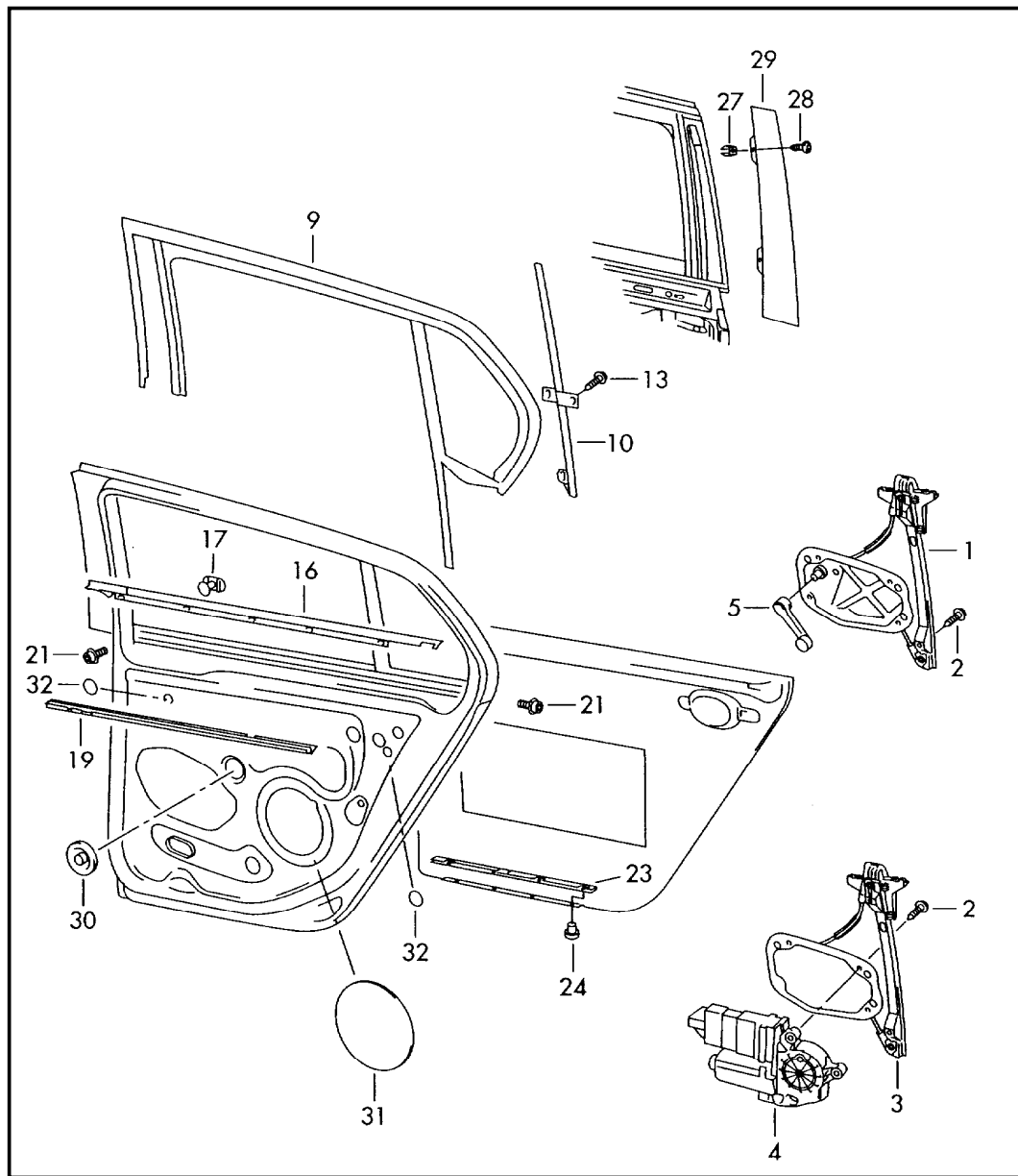


Pos	Part Number	Name	Remarks	Qty	Model
		door lock	rear		
(1)	3B4 839 015 AF	door lock	left	1	
(1)	3B4 839 016 AF	door lock	right	1	
(2)	1K0 839 349 A	cap	left	1	
2	1K0 839 350 A	cap	right	1	
(6)	3B9 839 059 A	bowden cable with clip	left	1	
6	3B9 839 060 A	bowden cable with clip	right	1	
7	N 908 047 05	screw, csk. hd. with polygon socket hd.	M8X22-SP	2	
8	1K0 837 033	striker		1	
10	WHT 000 439	screw, round hd.	M8X20	4	
11	8Z0 837 111	plug	16	2	
	06/05 B41	satin black			
12	N 020 025 1	plug	A12X1	2	
15	G 052 778 A2	lock cylinder lubricant spray	50ML	1	
		interior operation	rear		
(17)	1K4 839 085 A	bowden cable	left	1	
17	1K4 839 086 A	bowden cable	right	1	
18	N 909 187 01	innensechsrund-blechschaube	4X12-Q	4	
(20)	1K4 839 113 B	interior operation	left	1	
	06/05 UAQ	alu/titanium black			
20	1K4 839 114 B	interior operation	right	1	
	06/05 UAQ	alu/titanium black			
		door handle, outer	rear		
21	7H0 820 898	round seal	14, 3X2, 4	1	
(22)	1K0 837 885	support with hole for lock cylinder	left	1	
23	N 908 976 01	innensechsrund-linsenschraube	M5X9,7	2	


Model	Year	MG	SG	Illustration	Restrictions	UPD	22:01	04.12.2006		ETKA
GO	2007	8	39	839-00	Rabbit/GTI	597	USA			

Pos	Part Number	Name	Remarks	Qty	Model	Pos	Part Number	Name	Remarks	Qty	Model
24	3B0 837 209 A	packing	front	2							
	06/05 01C	satin black									
25	3B0 837 205 F	door handle, outer		2							
	06/05 3FZ	satin black									
(25)	3B0 837 205 G	door handle, outer		2							
	06/05 GRU	primed									
27	1K0 837 211	packing	rear	2							
	06/05 9B9	satin black									
28	1K4 839 167	housing		2							
29	3B4 839 879 A	cap		2							
	06/05 GRU	primed									
(29)	3B4 839 879	cap		2							
	06/05 3FZ	satin black									


Model	Year	MG	SG	Illustration	Restrictions	UPD	22:01	04.12.2006		ETKA
GO	2007	8	39	839-60	Rabbit/GTI	597	USA			

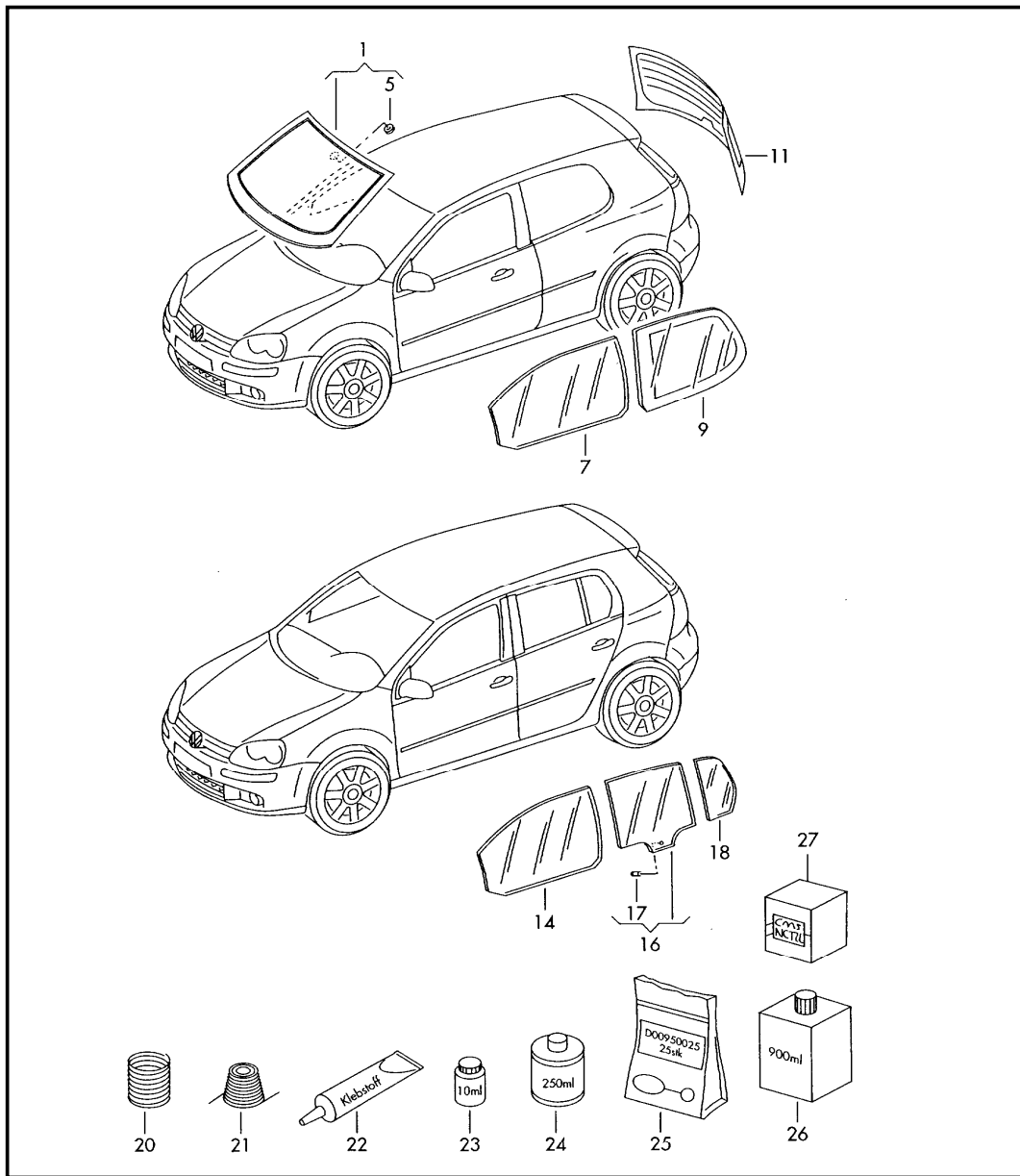


Pos	Part Number	Name	Remarks	Qty	Model
		window lifter			
(1)	1K4 839 401 B	window lifter	left	1	
(1)	1K4 839 402 B	window lifter	right	1	
2	N 902 452 04	bolt, hex. hd. with shoulder	M6X10	1	
(3)	1K4 839 461 A	window lifter without motor	left	1	
3	1K4 839 462 A	window lifter without motor	right	1	
4		window lifter motor see illustration:	959-10		
5	1K0 839 581 A	window crank			
	06/05 3U6	art gray	-HC, JT, KH, HD		
	06/05 7G8	beige	-JU, KJ, TH, VU		
	06/05 71N	anthracite	-HA, HB, HE, IG, IK, JS, KG, KK, KL, RS, RT, RZ, TG, TK, VT, WT, 28, 29		
		window guide			
(9)	1K6 839 431 A	window guide	left	1	
	06/05 5AP	black			
9	1K6 839 432 A	window guide	right	1	
	06/05 5AP	black			
(10)	1K6 839 407 A	channel	left	1	PR-QJ0
	06/05 03C	rally black			
(10)	1K6 839 407 B	channel	left	1	'GTI' PR-QJ1
	06/05 041	black			
10	1K6 839 408 A	channel	right	1	PR-QJ0
	06/05 03C	rally black			
(10)	1K6 839 408 B	channel	right	1	'GTI' PR-QJ1
	06/05 041	black			


Model	Year	MG	SG	Illustration	Restrictions	UPD	22:01	04.12.2006		ETKA
GO	2007	8	39	839-60	Rabbit/GTI	597	USA			

Pos	Part Number	Name	Remarks	Qty	Model	Pos	Part Number	Name	Remarks	Qty	Model
13	N 014 765 3	bolt, with hex. socket hd., self-locking	M6X10	6		(29)	1K6 839 902 A	trim for door window frame	right	1	'GTI'
		window slot seal					06/05 041	black			PR-QJ1
(16)	1K6 839 477 A	window slot seal	left outer	1		30	N 102 265 01	plug	A30	X	
	06/05 5AP	black				31	1T0 837 903	cover for loudspeaker		2	
16	1K6 839 478 A	window slot seal	right outer	1							
	06/05 5AP	black									
17	1K0 837 199 A	clip		12							
(19)	1K6 839 471 B	window slot seal	left inner	1							
	06/05 5AP	black									
19	1K6 839 472 B	window slot seal	right inner	1							
	06/05 5AP	black									
21	WHT 000 402	innensechsrund-zyylinder-schraube (kombi)	M6X11,5	1							
-	D 000 810 A1	paint	40ML	1							
		trim for door window frame									
(23)	1K6 839 393 A	protective edging	left	1							
23	1K6 839 394 A	protective edging	right	1							
24	WHT 000 329	innensechsrund-zyylinder-schraube (kombi)	M6X14,5	1							
27 +	N 902 577 03	speed nut	ST4,2	4							
28	N 909 868 01	innensechsrund-blechschaube	ST4,2X13-R	1							
29	1K6 839 901 C	trim for door window frame	left	1	PR-QJ0						
	06/05 03C	rally black									
(29)	1K6 839 901 A	trim for door window frame	left	1	'GTI'						
	06/05 041	black			PR-QJ1						
(29)	1K6 839 902 C	trim for door window frame	right	1	PR-QJ0						
	06/05 03C	rally black									


Model	Year	MG	SG	Illustration	Restrictions	UPD	22:01	04.12.2006		ETKA
GO	2007	8	45	845-00	Rabbit/GTI	597	USA			

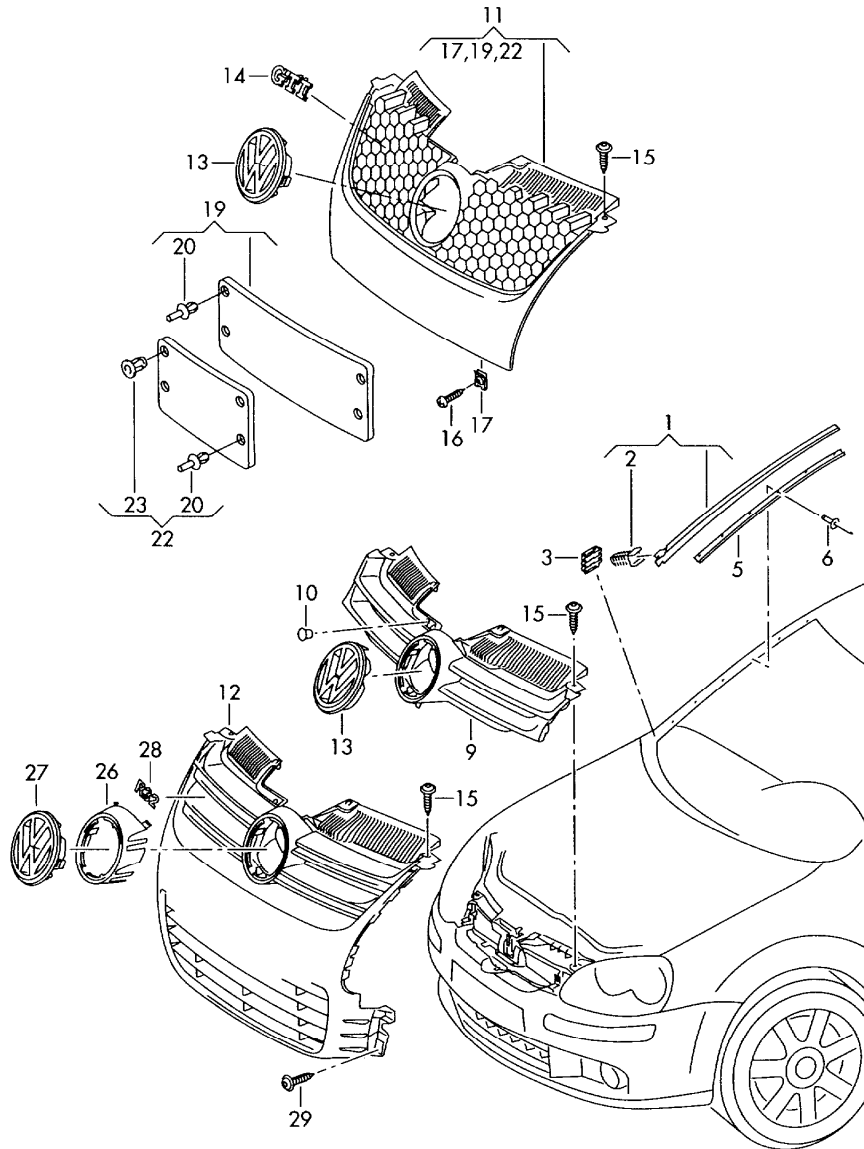


Pos	Part Number	Name	Remarks	Qty	Model
		windshield glass			
(1)	1K0 845 011 BC	windshield glass (laminated) with view window for vin number F >> 1K-6-190 000*	blue	1	'GTI', 'R32'
(1)	1K0 845 011 DG	windshield glass (laminated) with view window for vin number F 1K-6-190 001>>*	blue	1	'GTI', 'R32'
(5)	1K0 845 543	retaining plate for rear view mirror, inner for vehicles with rain sensor also use:	D 180 KD2 A1	1	PR-8N3
		door window	2 doors		
(7)	1K3 845 201 C	door window	left blue-tinted 2 doors	1	'GTI', 'R32'
(7)	1K3 845 202 C	door window	right blue-tinted 2 doors	1	'GTI', 'R32'
		side window			
(9)	1K6 845 041 L	side window	left blue-tinted 2 doors	1	'GTI', 'R32'
(9)	1K6 845 042 L	side window	right blue-tinted 2 doors	1	'GTI', 'R32'
		rear window			
(11)	1K6 845 051 L	rear window glass heated	blue-tinted	1	'GTI', 'R32'
		door window	4-door		
(14)	1K4 845 201 C	door window	left front blue-tinted 4-door	1	'GTI', 'R32'


Model	Year	MG	SG	Illustration	Restrictions	UPD	22:01	04.12.2006		ETKA
GO	2007	8	45	845-00	Rabbit/GTI	597	USA			

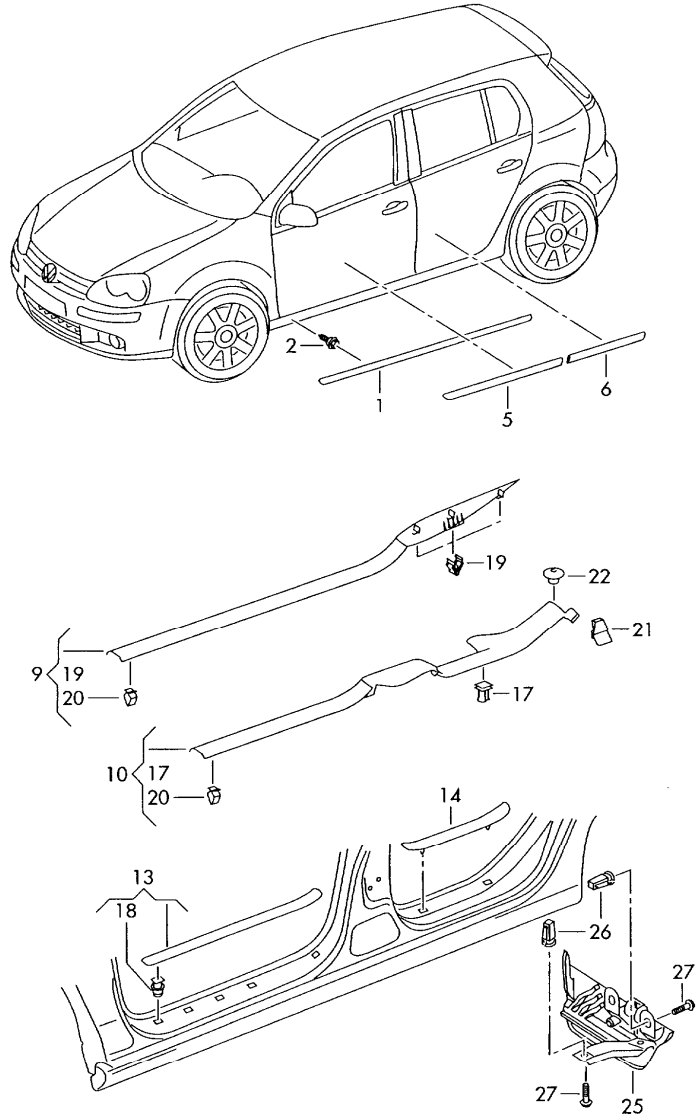
Pos	Part Number	Name	Remarks	Qty	Model	Pos	Part Number	Name	Remarks	Qty	Model
(14)	1K4 845 202 C	door window	right front blue-tinted 4-door	1	'GTI','R32'						
(16)	1K6 845 025 C	door window	left rear 4-door blue-tinted	1	'GTI','R32'						
(16)	1K6 845 026 C	door window	right rear 4-door blue-tinted	1	'GTI','R32'						
17	6N0 839 511	pin door window	rear	2							
(18)	1K6 845 215 A	door window glass (fixed)	left rear blue 4-door	1	'GTI','R32'						
(18)	1K6 845 216 A	door window glass (fixed)	right rear blue 4-door	1	'GTI','R32'						
		adhesives and sealing compound									
20	357 845 955	cutting wire for removing windows	0,6X0,6X50000	X							
21	357 853 999 A	cutting cord for removing windows	1,25X6000	X							
22	DH 009 100	1k window adhesive	300ML	X							
(22)	DH 009 100 03	1k window adhesive	110ML	X							
(22)	DA 004 600 A2	2k-glass glue application set	400ML	X							
23	D 181 801 A1	activator for precoated windows	10ML	X							
B(23)	D 009 200 02	primer for glass and paint	10ML	X							
24	D 009 401 04	all purpose cleaner	250ML	X							
25	D 009 500 25	applicator 'order qty. 25'		X							
26	D 002 000 10	adhesive remover	900ML	X							
27	D 000 703 A1	1 set of glass-metal adhesive	0,3G	1							

Model	Year	MG	SG	Illustration	Restrictions	UPD	22:02	04.12.2006		ETKA
GO	2007	8	53	853-00	Rabbit/GTI	597	USA			




Pos	Part Number	Name	Remarks	Qty	Model
		water deflector			
(1)	1K0 854 319 G	connecting strip	left	1	PR-K8G
		as required use:	1K0 853 586	1	
	06/05 5AP	black			
(1)	1K0 854 320 G	connecting strip	right	1	PR-K8G
		as required use:	1K0 853 586	1	
	06/05 5AP	black			
3	1K0 853 586	grommet		1	
(5)	1K0 854 541 B	retaining strip	left	1	
5	1K0 854 542 B	retaining strip	right	1	
6 +	N 907 878 02	rivet	AK3,2X6,5	X	
		radiator grille			
(11)	1K0 853 651 H	radiator grille		1	'GTI'+''USA''
	06/05 VW8	rally black/tornado red			
13	1T0 853 601 A	vw sign		1	
	06/05 FDY	bright chrome/anthracite			
14	1K6 853 679	inscription	front 'GTI'	1	
	06/05 FXC	chrome colored/black			
15	N 103 546 02	innensechsrund-blechschraube	5X16Z2	2	
16	N 907 397 01	tapping screw	5X22-Q	2	
17	N 909 591 01	speed nut	5X16,5X11	2	
(22)	1K0 807 285 A	license plate bracket	front	1	GTI+''USA''
	06/05 9B9	satin black			
23 +	N 902 184 02	rivetted cap nut	AM6/0,5-4,7	2	


Model	Year	MG	SG	Illustration	Restrictions	UPD	22:02	04.12.2006		ETKA
GO	2007	8	53	853-10	Rabbit/GTI	597	USA			

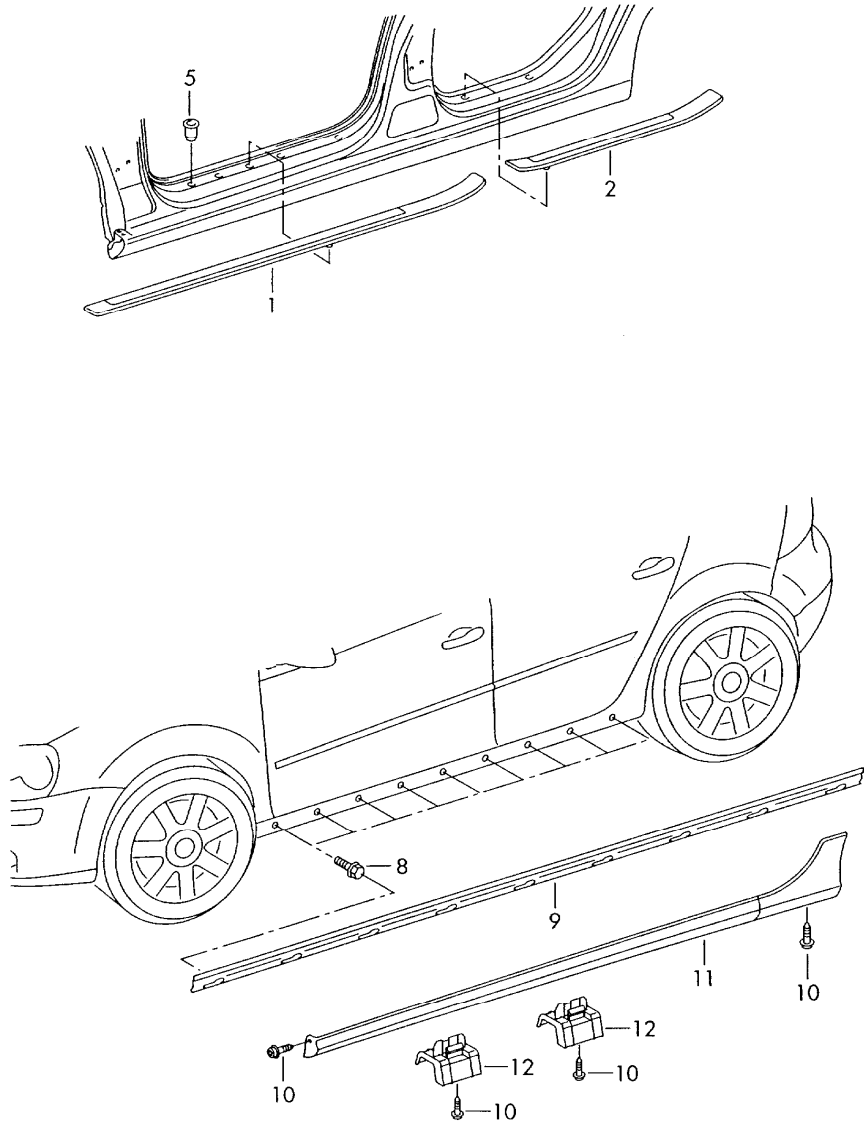


Pos	Part Number	Name	Remarks	Qty	Model
		protective strip	lower		
		protective strip	upper		
	(5)	1K3 853 515 A	protection strip for door	2 doors left front	1
	06/05 GRU	primed			
(5)	1K3 853 516 A	protection strip for door	2 doors right front	1	PR-4B2
	06/05 GRU	primed			
(5)	1K4 853 515 C	protection strip for door	4-door left front	1	PR-4B2
	06/05 GRU	primed			
(5)	1K4 853 516 C	protection strip for door	4-door right front	1	PR-4B2
	06/05 GRU	primed			
(6)	1K3 853 535 A	protect. strip for side panel	2 doors left	1	PR-4B2
	06/05 GRU	primed			
(6)	1K3 853 536 A	protect. strip for side panel	2 doors right	1	PR-4B2
	06/05 GRU	primed			
(6)	1K4 853 753 A	protection strip for door	4-door left rear	1	PR-4B2
	06/05 GRU	primed			
(6)	1K4 853 754 A	protection strip for door	4-door right rear	1	PR-4B2
	06/05 GRU	primed			
9	1K3 853 371 B	scuff plate - sill panel	left 2 doors	1	
	06/05 3U6	art gray	-HC,HD, JT, KH		
	06/05 7G8	beige	-JU, KJ, TH, VU		


Model	Year	MG	SG	Illustration	Restrictions	UPD	22:02	04.12.2006		ETKA
GO	2007	8	53	853-10	Rabbit/GTI	597	USA			

Pos	Part Number	Name	Remarks	Qty	Model	Pos	Part Number	Name	Remarks	Qty	Model
	06/05 71N	anthracite	-HA, HB, HE, IG, IK, JS, KG, KK, KL, RS, RT, RZ, TG, TK, VT, WT, 28, 29				06/05 9B9	satin black			
(9)	1K3 853 372 B	scuff plate - sill panel	right 2 doors	1		(13)	1K4 853 538	sill panel protective foil	4-door right front	1	PR-0A2
	06/05 3U6	art gray	-HC, HD, JT, KH				06/05 9B9	satin black			
	06/05 7G8	beige	-JU, KJ, TH, VU			14	1K4 853 539 B	sill panel protective foil	4-door left rear	1	PR-0A2
	06/05 71N	anthracite	-HA, HB, HE, IG, IK, JS, KG, KK, KL, RS, RT, RZ, TG, TK, VT, WT, 28, 29			(14)	1K4 853 540 B	sill panel protective foil	4-door right rear	1	PR-0A2
10	1K4 853 371 B	scuff plate - sill panel	left 4-door	1			06/05 9B9	satin black			
	06/05 3U6	art gray	-HC, HD, JT, KH			17	6Q0 853 147	clip		1	
	06/05 7G8	beige	-JU, KJ, TH, VU			18	3D0 853 576	clip	2 doors 4-door	14 10	
	06/05 71N	anthracite	-HA, HB, HE, IG, IK, JS, KG, KK, KL, RS, RT, RZ, TG, TK, VT, WT, 28, 29			19	1J0 858 137 A	clamp		6	
(10)	1K4 853 372 C	scuff plate - sill panel	right 4-door	1		20	4A0 867 276 A	clamp		X	
	06/05 3U6	art gray	-HC, HD, JT, KH			21	N 902 438 01	clamp	18X25, 9X1, 8	2	
	06/05 7G8	beige	-JU, KJ, TH, VU			22	N 908 618 01	pushbutton	24X9, 5X8	2	
	06/05 71N	anthracite	-HA, HB, HE, IG, IK, JS, KG, KK, KL, RS, RT, RZ, TG, TK, VT, WT, 28, 29				06/05 01C	satin black	9, 5X8X24	1	
(13)	1K3 853 537	sill panel protective foil	2 doors left	1	PR-0A1			cover			
	06/05 9B9	satin black				(25)	1K0 854 855 A	side member trim	left rear	1	
(13)	1K3 853 538	sill panel protective foil	2 doors right	1	PR-0A1		06/05 9B9	satin black			
	06/05 9B9	satin black				(25)	1K0 854 856 A	side member trim	right rear	1	
13	1K4 853 537	sill panel protective foil	4-door left front	1	PR-0A2		06/05 9B9	satin black			
						26	N 105 412 01	expanding nut	5X15	8	
						27	N 103 546 02	innensechsrund-blechschaube	5X16Z2	10	


Model	Year	MG	SG	Illustration	Restrictions	UPD	22:02	04.12.2006		ETKA
GO	2007	8	53	853-15	Rabbit/GTI	597	USA			




Pos	Part Number	Name	Remarks	Qty	Model
		scuff plate - sill panel			
1	1K3 853 537 A	scuff plate - sill panel	2 doors left 'GTI'		
		F >> 1K-6B105 621*		1	
		F >> 1K-6P019 868*		1	
		F >> 1K-6U018 847*		1	
		F >> 1K-6W113 525*		1	
	06/05-01/06SUB	satin black/aluminium-brushed			
(1)	1K3 853 803 C	sill panel protective foil	2 doors left a. right 'GTI'		
		F 1K-6B105 622>>*		2	
		F 1K-6P019 869>>*		2	
		F 1K-6U018 848>>*		2	
		F 1K-6W113 526>>*		2	
	01/06 61E	black/silver			
(1)	1K3 853 538 A	scuff plate - sill panel	2 doors right 'GTI'		
		F >> 1K-6B105 621*		1	
		F >> 1K-6P019 868*		1	
		F >> 1K-6U018 847*		1	
		F >> 1K-6W113 525*		1	
	06/05-01/06SUB	satin black/aluminium-brushed			
(1)	1K4 853 537 A	scuff plate - sill panel	4-door left front 'GTI'		
		F >> 1K-6B105 621*		1	
		F >> 1K-6P019 868*		1	
		F >> 1K-6U018 847*		1	
		F >> 1K-6W113 525*		1	
	06/05-01/06SUB	satin black/aluminium-brushed			
(1)	1K4 853 803 C	sill panel protective foil	4-door left a. right 'GTI'		
		F 1K-6B105 622>>*		2	
		F 1K-6P019 869>>*		2	
		F 1K-6U018 848>>*		2	
		F 1K-6W113 526>>*		2	
	01/06 61E	black/silver			

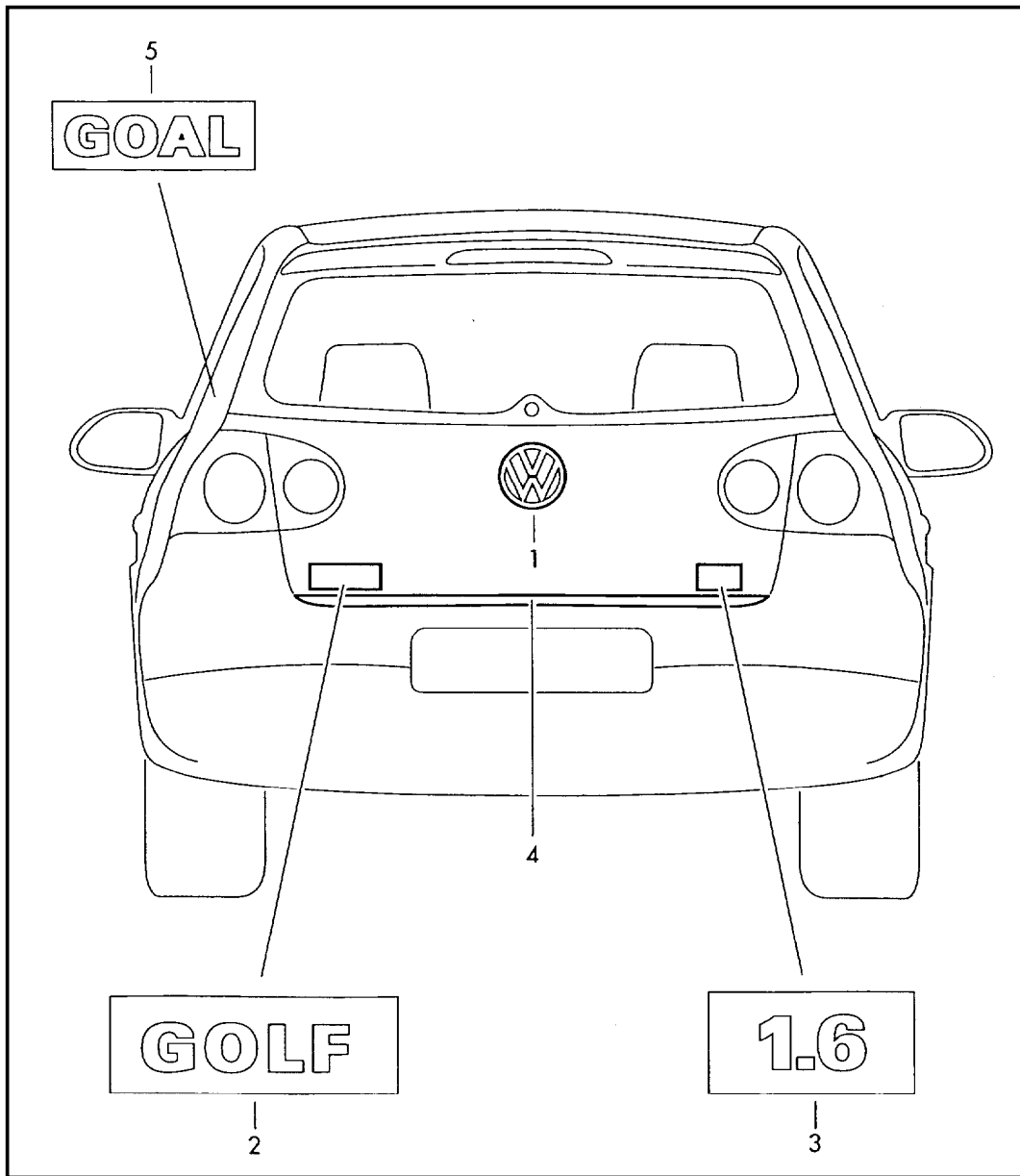
Model	Year	MG	SG	Illustration	Restrictions	UPD	22:02	04.12.2006		ETKA
GO	2007	8	53	853-15	Rabbit/GTI	597	USA			

Pos	Part Number	Name	Remarks	Qty	Model	Pos	Part Number	Name	Remarks	Qty	Model
(1)	1K4 853 538 A	scuff plate - sill panel	4-door right front 'GTI'			(8)	WHT 000 187	bolt, hex. hd. with shoulder (oversize)	15X4	X	
		F >> 1K-6B105 621*		1		9	1K0 853 543	retaining strip	left	1	
		F >> 1K-6P019 868*		1		(9)	1K0 853 544	retaining strip	right	1	
		F >> 1K-6U018 847*		1		10	N 103 546 02	innensechsrund-blechschaube	5X16Z2	1	
		F >> 1K-6W113 525*		1		11	1K3 853 859	side member trim	2 doors left	1	
	06/05-01/06SUB	satin black/aluminium-brushed					06/05-05/069B9	satin black			
2	1K4 853 539 A	scuff plate - sill panel	4-door left rear 'GTI'			11	1K3 853 859 B	side member trim	2 doors left	1	
		F >> 1K-6B105 621*		1			06/06 9B9	satin black			
		F >> 1K-6P019 868*		1		(11)	1K3 853 859 D	side member trim	2 doors left	1	'R32'
		F >> 1K-6U018 847*		1			05/06 GRU	primed			
		F >> 1K-6W113 525*		1		(11)	1K3 853 860	side member trim	2 doors right	1	
	06/05-01/06SUB	satin black/aluminium-brushed					06/05-05/069B9	satin black			
(2)	1K4 853 805 C	sill panel protective foil	4-door left rear 'GTI'			(11)	1K3 853 860 B	side member trim	2 doors right	1	
		F 1K-6B105 622>>*		1			06/06 9B9	satin black			
		F 1K-6P019 869>>*		1		(11)	1K3 853 860 D	side member trim	2 doors right	1	'R32'
		F 1K-6U018 848>>*		1			05/06 GRU	primed			
		F 1K-6W113 526>>*		1		(11)	1K4 853 859	side member trim	4-door left	1	
	01/06 61E	black/silver					06/05 9B9	satin black			
(2)	1K4 853 540 A	scuff plate - sill panel	4-door right rear 'GTI'			(11)	1K4 853 859 D	side member trim	4-door left	1	'R32'
		F >> 1K-6B105 621*		1			05/06 GRU	primed			
		F >> 1K-6P019 868*		1		(11)	1K4 853 860 B	side member trim	4-door right	1	
		F >> 1K-6U018 847*		1			06/05 9B9	satin black			
		F >> 1K-6W113 525*		1		(11)	1K4 853 860 D	side member trim	4-door right	1	'R32'
	06/05-01/06SUB	satin black/aluminium-brushed					05/06 GRU	primed			
(2)	1K4 853 806 C	sill panel protective foil	4-door right rear 'GTI'			(11)	1K4 853 859	side member trim	4-door left	1	
		F 1K-6B105 622>>*		1			06/05 9B9	satin black			
		F 1K-6P019 869>>*		1		(11)	1K4 853 859 D	side member trim	4-door left	1	'R32'
		F 1K-6U018 848>>*		1			05/06 GRU	primed			
		F 1K-6W113 526>>*		1		(11)	1K4 853 860 B	side member trim	4-door right	1	
	01/06 61E	black/silver					06/05 9B9	satin black			
		side member extension				(11)	1K4 853 860 D	side member trim	4-door right	1	'R32'
8	WHT 000 188	bolt, hex. hd. with shoulder	15X3,5	18		(11)	1K4 853 860 D	side member trim	4-door right	1	'R32'


Model	Year	MG	SG	Illustration	Restrictions	UPD	22:02	04.12.2006		ETKA
GO	2007	8	53	853-15	Rabbit/GTI	597	USA			

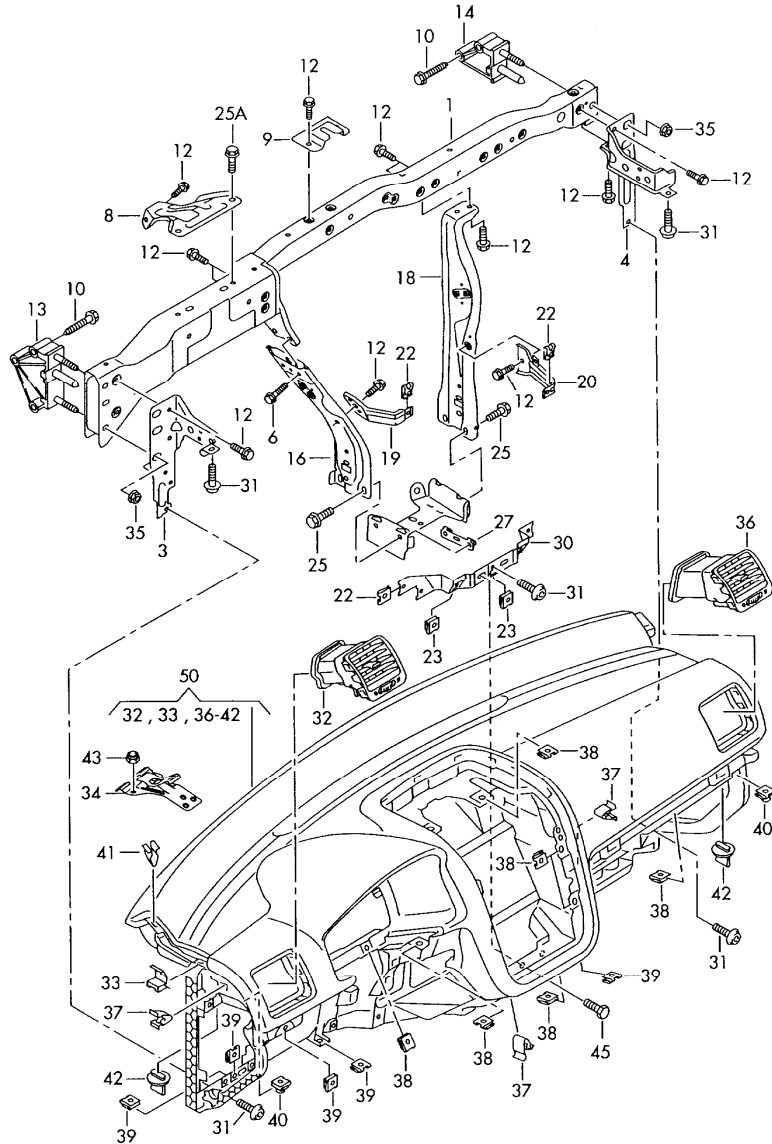
Pos	Part Number	Name	Remarks	Qty	Model	Pos	Part Number	Name	Remarks	Qty	Model
12	05/06 GRU 1K0 853 493	primed adapter		4							

Model	Year	MG	SG	Illustration	Restrictions	UPD	22:02	04.12.2006		ETKA
GO	2007	8	53	853-20	Rabbit/GTI	597	USA			




Pos	Part Number	Name	Remarks	Qty	Model
		inscriptions			
1		see illustration:	827-20		
2	1K6 853 687	inscription	'GOLF'	1	
	06/05 739	chrome			
(2)	1K0 853 675 N	inscription	'GTI'	1	
	06/05 739	chrome			
(3)	1K5 853 675	inscription	'2.5'	1	
	06/05 739	chrome			
4	1K6 853 955	decorative molding for flap, rear		1	PR-QJ1
	06/05 2ZZ	chrome			


Model	Year	MG	SG	Illustration	Restrictions	UPD	22:02	04.12.2006		ETKA
GO	2007	8	57	857-00	Rabbit/GTI	597	USA			

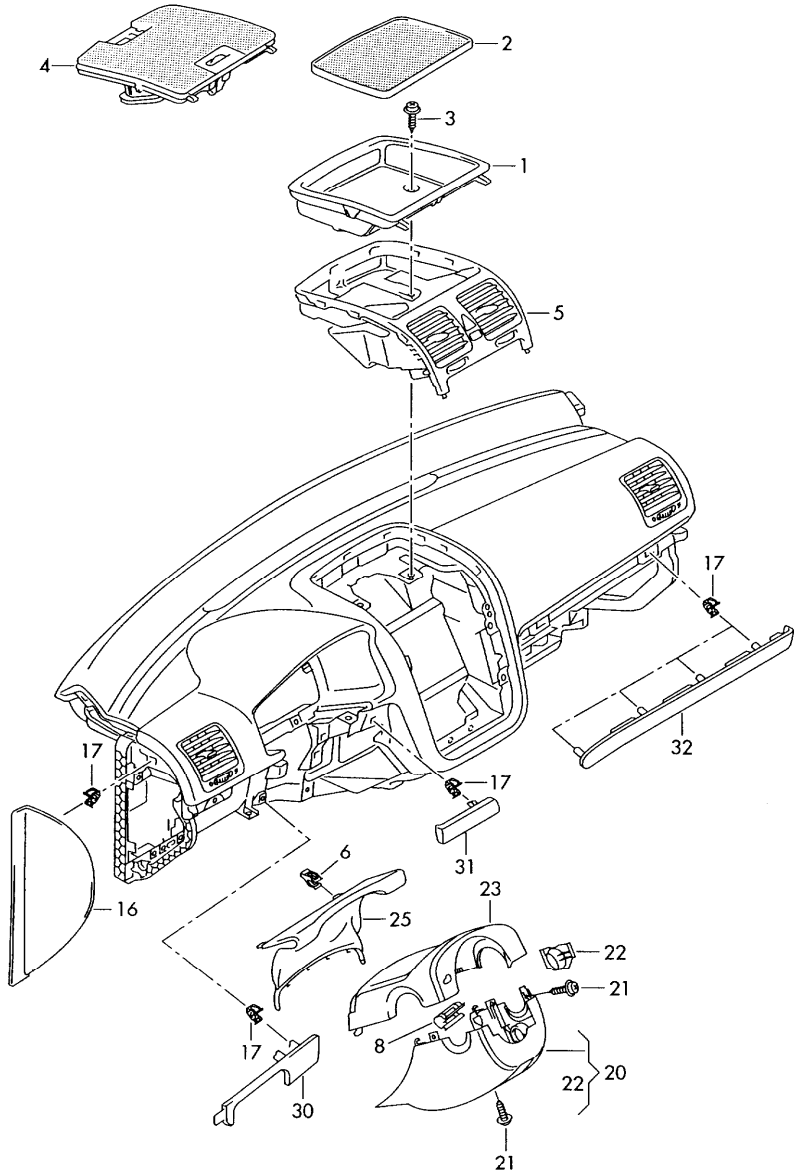


Pos	Part Number	Name	Remarks	Qty	Model
1	1K1 858 045 K	cross member for dashbord dashboard		1	
3	1K1 858 505 E	cross member for dashbord	lhd	1	
		retaining plate (drivers side)	lhd	1	
(4)	1K1 858 506 F	retaining plate (passenger side)	lhd	1	
6	N 101 602 01	bolt, hex. hd. with shoulder	M6X25	2	
8	1K1 858 765	kink strut	lhd	1	
9	1K0 858 037	mounting plate		1	
12	N 910 799 01	bolt, hex. hd. (combi.)	M6X20	X	
13	1K1 857 021 D	bracket for cross member (drivers side)	lhd	1	
14	1K1 857 022 D	bracket for cross member (passenger side)	lhd	1	
10	N 106 044 01	bolt, hex. hd. with shoulder	M8X65MM	X	
12	N 905 329 01	bolt, hex. hd. (combi.)	M6X16-U-S1		
16	1K1 858 783 B	cross support (drivers side)	lhd	1	
18	1K1 858 784 C	cross support (passenger side)	lhd	1	
19	1K1 857 953	retaining plate (drivers side)	lhd	1	
20	1K1 857 954	retaining plate (passenger side)	lhd	1	
22	N 903 275 01	speed nut	M6X23,4X14,2	X	
23	N 906 988 01	speed nut	ST4,2X16X12	X	
25	N 910 333 01	bolt, hex. hd. (combi.)	M8X22-TM-W	X	
25A	N 909 305 03	bolt, hex. hd. with polygon socket	M8X24-TM	2	
27	WHT 000 020	speed nut	M8	2	
30	1K1 858 897 B	retaining plate	center lhd	1	
31	N 907 290 02	fill. hd. screw (combi.)	M5X16	X	
32		see illustration:	819-30		


Model	Year	MG	SG	Illustration	Restrictions	UPD	22:02	04.12.2006		ETKA
GO	2007	8	57	857-00	Rabbit/GTI	597	USA			

Pos	Part Number	Name	Remarks	Qty	Model	Pos	Part Number	Name	Remarks	Qty	Model
33	1K0 867 961	clamp		1							
(34)	1K0 857 117 A	clamp		2							
(35)	N 023 002 12	hex. nut, self-locking	AM6	2							
36		see illustration:	819-30								
37	1K0 867 388	clamp		5							
38	N 906 989 01	speed nut	4,2X16X12	X							
39	N 906 988 01	speed nut	ST4,2X16X12	X							
40 +	N 903 562 03	speed nut	M5X17X17	X							
41	1J0 858 213	clamp		2							
43	N 906 636 01	hex. nut with washer	M5	4							
45	N 101 579 02	screw, hex. hd.	M6X25	2							
(50)	1K1 857 001 H	dashboard		1					lhd		
	09/05 81X	titanium black									


Model	Year	MG	SG	Illustration	Restrictions	UPD	22:03	04.12.2006		ETKA
GO	2007	8	57	857-10	Rabbit/GTI	597	USA			

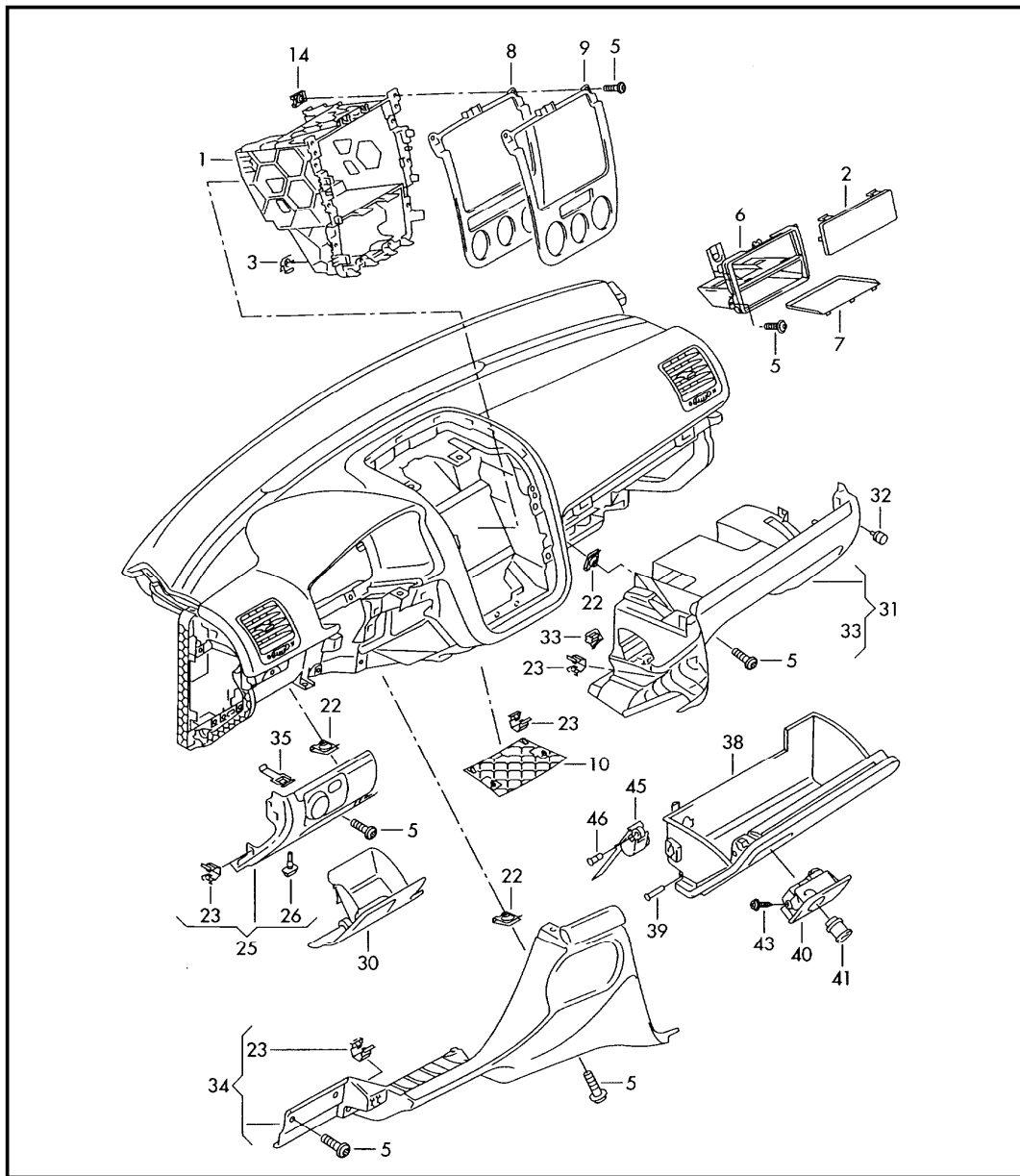


Pos	Part Number	Name	Remarks	Qty	Model
		dashboard installation parts	upper		
(1)	1K0 857 921 D	shelf	center upper	1	PR-9AA, 9AP
	06/06 1QB	black			
2	1K0 858 167	insert for stowage box	center upper	1	
	06/05 9B9	satin black			
3	+ N 906 986 03	innensechsrund-blechschaube	ST4, 2X16-C-T20	X	
4-5		see illustration:	819-30		
6	1J0 858 137 A	clamp		3	
8	3B0 867 190	spring clip		2	
16	1K0 858 247 A	cover	left	1	
	06/05 82V	titanium black			
(16)	1K0 858 248 A	cover	right	1	
	06/05 82V	titanium black			
17	+ 4A0 853 107	clip		X	
20	1K0 858 559	cover for steering column	lower	1	
	06/05-01/069B9	satin black			
(20)	1K0 858 559 A	cover for steering column	lower	1	PR-8T2+4UM
	02/06 9B9	satin black			
21	N 908 777 01	innensechsrundschaube (kombi)	M5X10	3	
22		see illustration:	953-50		
23	1K0 858 560	cover for steering column	upper	1	
	06/05 9B9	satin black			
25	1K1 857 053	cover for steering column	lhd	1	
	06/05 81U	titanium black			
(30)	1K1 858 419 B	trim (drivers side)	left	lhd 1	PR-5MD+A8H
	06/05 4J4	aluminium-brushed			PR-A8H
(31)	1K1 858 420 B	trim (drivers side)	right	lhd 1	PR-5MD+A8H,
	06/05 4J4	aluminium-brushed			PR-A8H


Model	Year	MG	SG	Illustration	Restrictions	UPD	22:03	04.12.2006		ETKA
GO	2007	8	57	857-10	Rabbit/GTI	597	USA			

Pos	Part Number	Name	Remarks	Qty	Model	Pos	Part Number	Name	Remarks	Qty	Model
(32)	1K1 858 529 B	trim (passenger side)	lhd	1	PR-5MD+A8H						
	06/05 4J4	aluminium-brushed			PR-A8H						


Model	Year	MG	SG	Illustration	Restrictions	UPD	22:03	04.12.2006		ETKA
GO	2007	8	57	857-20	Rabbit/GTI	597	USA			

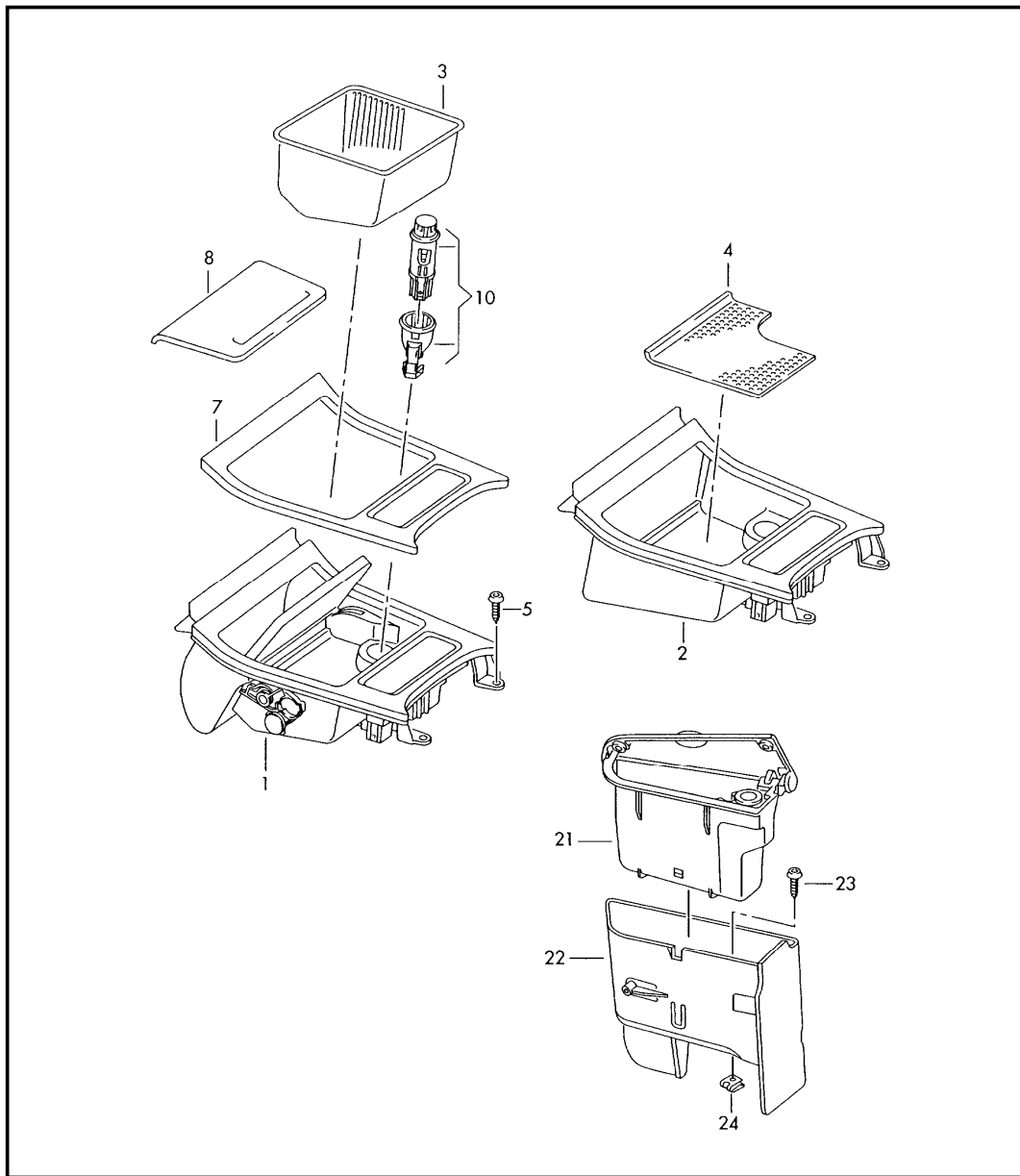


Pos	Part Number	Name	Remarks	Qty	Model
		dashboard installation parts	lower		
(1)	1K0 858 005 C	mounting		1	
3	1T0 857 047 A	threaded plate		10	
5	N 906 986 06	innensechsrund-blechschaube	ST4, 2X16-C-T20	X	
(8)	1K0 858 069 G	trim	center	1	PR-9AK, 9AM
	06/05 1QA	satin black			
(9)	1K0 858 069 F	trim	center	1	PR-9AA, 9AP
	06/05 1QA	satin black			
10	1K0 857 367	cover		1	
	06/05 71N	anthracite	-HA, HB, HE, IG, IK, JS, KG, KK, KL, RS, RT, RZ, TG, TK, VT, WT, 28, 29		
14	N 906 989 01	speed nut	4, 2X16X12	X	
20	N 906 989 01	speed nut	4, 2X16X12	X	
22	N 906 988 01	speed nut	ST4, 2X16X12	X	
23	1K0 867 388	clamp		X	
(25)	1K1 858 365 AF	cover for vehicles with trim insert (drivers side)	left	lhd 1	"CDN" PR-5MA, 5MD, 5MG, 5MJ, 5MU
	10/05 71N	anthracite	-HA, HB, HE, IG, IK, JS, KG, KK, KL, RS, RT, RZ, TG, TK, VT, WT, 28, 29		
(25)	1K1 858 365 E	cover for vehicles with trim insert (drivers side)	left	lhd 1	
	02/06 71N	anthracite	-HA, HB, HE, IG, IK, JS, KG, KK, KL, RS, RT, RZ, TG, TK, VT, WT, 28, 29		
26	7M3 857 145 A	buffer		2	
(31)	1K1 857 114 E	mounting for vehicles with trim insert (passenger side)		lhd 1	"CDN" PR-5MA, 5MD, 5MG, 5MJ, 5MU


Model	Year	MG	SG	Illustration	Restrictions	UPD	22:03	04.12.2006		ETKA
GO	2007	8	57	857-20	Rabbit/GTI	597	USA			

Pos	Part Number	Name	Remarks	Qty	Model	Pos	Part Number	Name	Remarks	Qty	Model
	06/05 71N	anthracite	-HA, HB, HE, IG, IK, JS, KG, KK, KL, RS, RT, RZ, TG, TK, VT, WT, 28, 29			(38)	1K1 857 101 H	glove box lid (passenger side)	lhd	1	
(31)	1K1 857 114 G	mounting for vehicles with trim insert (passenger side)		lhd 1			02/06 71N	anthracite	-HA, HB, HE, IG, IK, JS, KG, KK, KL, RS, RT, RZ, TG, TK, VT, WT, 28, 29		
	02/06 71N	anthracite	-HA, HB, HE, IG, IK, JS, KG, KK, KL, RS, RT, RZ, TG, TK, VT, WT, 28, 29			39	3D0 857 169 A	pin - hinge		2	
	32	3C0 857 145	buffer, adjustable	2		(40)	1K1 857 147 D	handle	lhd	1	
33	1K1 858 543	lock plate	left	lhd 1			07/05 3Q7	aluminium			
	06/05 9B9	satin black						as required use:	107 857 113JB	1	
(33)	1K1 858 544	lock plate	right	lhd 1		41	f 107 857 113 JB	lock cylinder without key	HUF	1	
	06/05 9B9	satin black						* to retain the one key * system the key code * number and/or vehicle * ident.number (vin) must * be quoted when ordering			
(34)	1K1 858 366 A	cover for vehicles with trim insert (drivers side)	right	lhd 1	"CDN" PR-5MA, 5MD, 5MG, 5MJ, 5MU	43	N 104 159 01	innensechsrund-blechschraube	4X12-Q	10	
	06/05 71N	anthracite	-HA, HB, HE, IG, IK, JS, KG, KK, KL, RS, RT, RZ, TG, TK, VT, WT, 28, 29			45	1K0 858 309 A	brake element		1	
(34)	1K1 858 366 C	cover (drivers side)	right	1		46	1C1 880 802	attachment bolt brake element		1	
	06/05 71N	anthracite	-HA, HB, HE, IG, IK, JS, KG, KK, KL, RS, RT, RZ, TG, TK, VT, WT, 28, 29								
35	1K0 857 340 A	retaining clip		2							
38	1K1 857 101 G	glove box lid (passenger side)		lhd 1	"CDN"						
	06/05 71N	anthracite	-HA, HB, HE, IG, IK, JS, KG, KK, KL, RS, RT, RZ, TG, TK, VT, WT, 28, 29								


Model	Year	MG	SG	Illustration	Restrictions	UPD	22:03	04.12.2006		ETKA
GO	2007	8	57	857-30	Rabbit/GTI	597	USA			

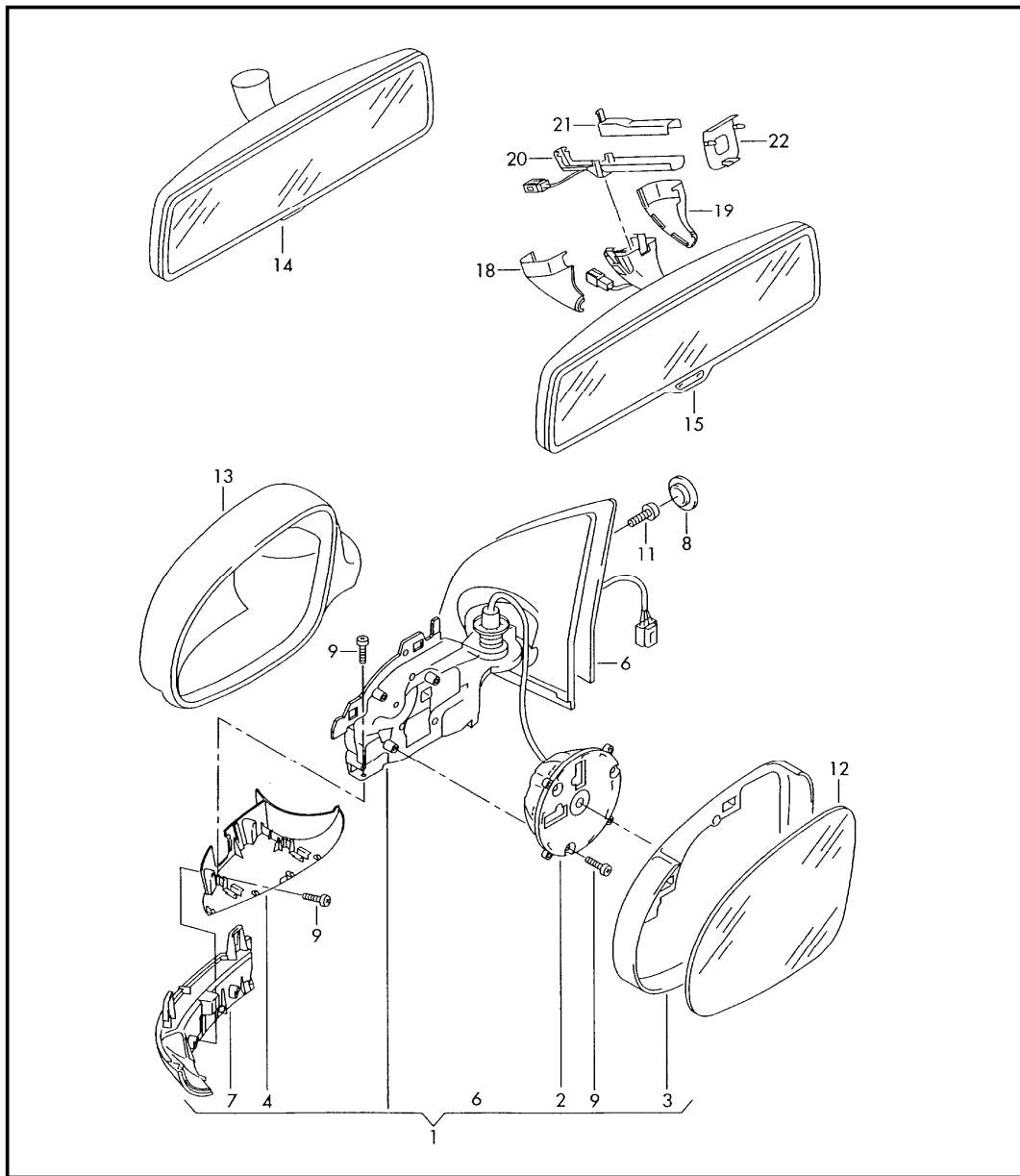


Pos	Part Number	Name	Remarks	Qty	Model
(1)	1K0 857 961 A	ashtray			
	06/05 9B9	refuse container instead of ashtray	front	1	PR-6E3+9JA
		satin black			
2	1K0 857 925	shelf		1	PR-6E0+9JA
	06/05-05/061QB	black	-IG, IH, IK, JS, JT, JU, KG, KH, KJ, KK, KL, RZ, TG, TH, TK, VT, VU, WT, 28, 29		
	06/05-05/0675T	anthracite bright metal. (grey)	-HA, HB, HC, HD, HE		
(2)	1K0 857 925 C	shelf		1	PR-6E0+9JA
	05/06 1QB	black	-IG, IH, IK, JS, JT, JU, KG, KH, KJ, KK, KL, RZ, TG, TH, TK, VT, VU, WT, 28, 29		
	05/06 75T	anthracite bright metal. (grey)	-HA, HB, HC, HD, HE		
4	1K0 863 330	insert for stowage compartment		1	PR-6E0+9JA
	06/05 9B9	satin black			
(4)	1K0 863 330 A	insert for stowage compartment		1	PR-6E3+9JA
	06/05 9B9	satin black			
5	N 906 986 06	innensechsrund-blechschraube	ST4, 2X16-C-T20	2	
(7)	1K0 863 487 F	trim	front	1	PR-A8F, A8H, A8X+6E3+9JA
	05/06 1QB	black			PR-5MD
(7)	1K0 863 487	trim	front	1	PR-6E3+9JA
	06/05-05/061QB	black	-JS, JT, JU, KG, KH, KJ, TG, TH, VT, VU, RZ, 28, 29		PR-5MA
(7)	1K0 863 487 F	trim	front	1	PR-6E3+9JA
	05/06 1QB	black	-JS, JT, JU, KG, KH, KJ, TG, TH, VT, VU, RZ, 28, 29		PR-5MA


Model	Year	MG	SG	Illustration	Restrictions	UPD	22:03	04.12.2006		ETKA
GO	2007	8	57	857-30	Rabbit/GTI	597	USA			

Pos	Part Number	Name	Remarks	Qty	Model	Pos	Part Number	Name	Remarks	Qty	Model
(7)	1K0 863 487 A	trim for vehicles with wood inlay	front	1	PR-6E3+9JA						
	06/05 46X	nut brown			PR-5MG						
(7)	1K0 863 487 B	trim for vehicles with alu decora- tive inlay	front	1	PR-A9R+6E3+ 9JA						
	08/05 8B4	aluminium 'engine spin'	-TK, WT		PR-5MD						
(8)	1K0 857 351 F	cover for ashtray	front	1	PR-A8F, A8H, A8X+6E3+9JA						
	05/06 1QB	black			PR-5MD						
(8)	1K0 857 351	cover for ashtray	front	1	PR-6E3+9JA						
	06/05-05/061QB	black	-JS, JT, JU, KG, KH, KJ, TG, TH, VT, VU, RZ, 28, 29		PR-5MA						
(8)	1K0 857 351 F	cover for ashtray	front	1	PR-6E3+9JA						
	05/06 1QB	black	-JS, JT, JU, KG, KH, KJ, TG, TH, VT, VU, RZ, 28, 29		PR-5MA						
(8)	1K0 857 351 A	cover for ashtray for vehicles with wood inlay	front	1	PR-6E3+9JA						
	06/05 46X	nut brown			PR-5MG						
(8)	1K0 857 351 B	cover for ashtray for vehicles with alu decora- tive inlay	front	1	PR-A9R+6E3+ 9JA						
	08/05 8B4	aluminium 'engine spin'	-TK, WT		PR-5MD						
10		cigarette lighter see illustration:	919-20								


Model	Year	MG	SG	Illustration	Restrictions	UPD	22:03	04.12.2006		ETKA
GO	2007	8	57	857-40	Rabbit/GTI	597	USA			

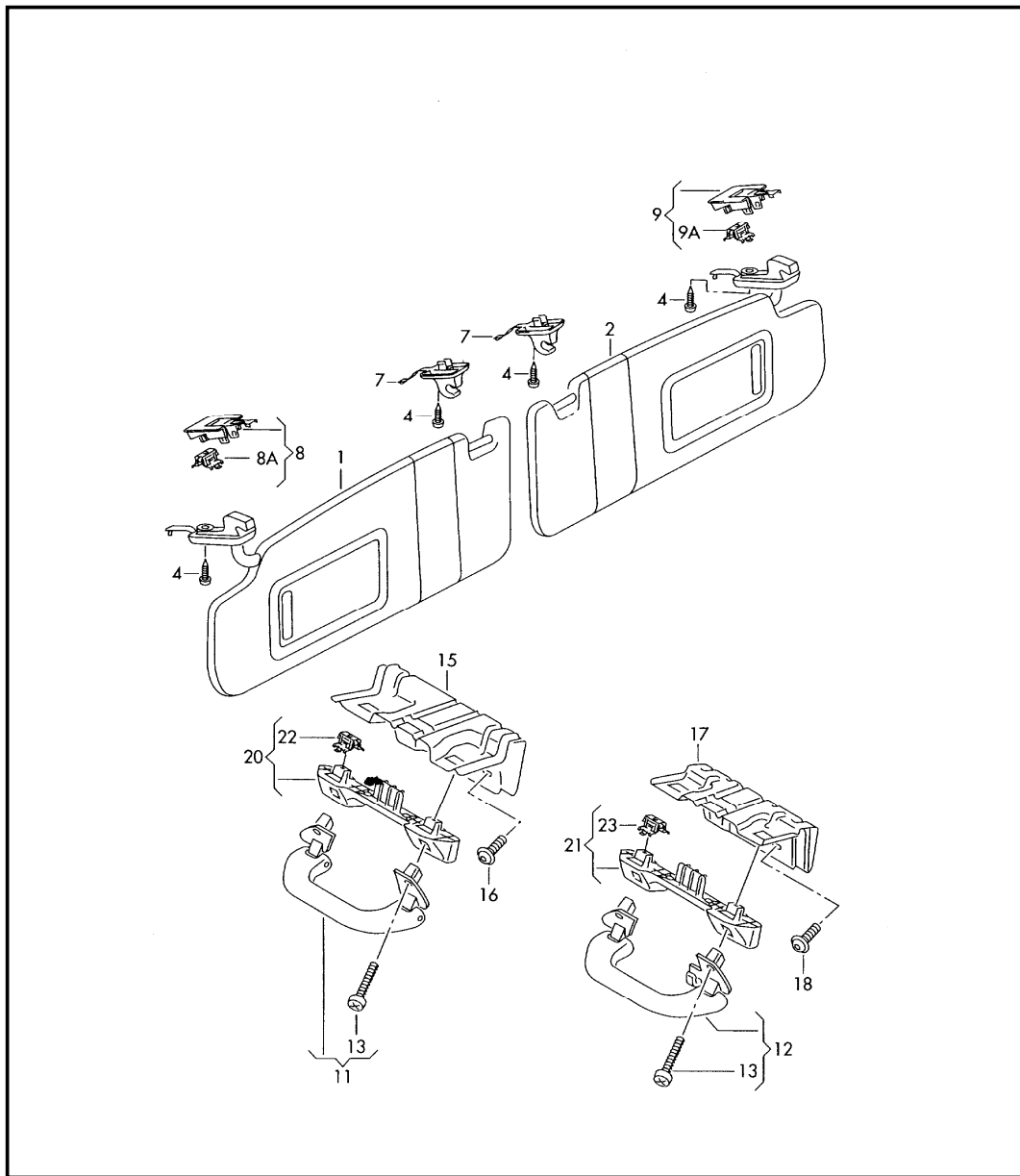


Pos	Part Number	Name	Remarks	Qty	Model
		rear view mirror			
(1)	1K1 857 507 AK	rear view mirror housing for vehicles with rear view mirror electrically operated and heated	left lhd	1	
	06/05 9B9	satin black			
(1)	1K1 857 508 AL	rear view mirror housing for vehicles with rear view mirror electrically operated and heated	right lhd	1	
	06/05 9B9	satin black			
2	3D0 959 578 B	adjuster with motor for rear view mirror	left a. right	2	
3	1K0 857 601	trim	left inner	1	
	06/05 9B9	satin black			
(3)	1K0 857 602	trim	right inner	1	
	06/05 9B9	satin black			
4	1K0 857 577	trim	left lower	1	
	06/05 9B9	satin black			
(4)	1K0 857 578	trim	right lower	1	
	06/05 9B9	satin black			
6	1K0 857 933	sound absorber	left	1	
(6)	1K0 857 934	sound absorber	right	1	
7		turn signal	see illustration: 941-40 position: 10	2	
8	3B0 837 111	plug	16	6	
	06/05 B41	satin black			
9	3B0 898 011	1 set of mounting parts for rear view mirror		1	
11	N 103 470 02	innensechsrund-linsenschraube	M6X16-E-SP	6	
12	3C0 857 521 A	mirror glass (flat) with plate	left	1	


Model	Year	MG	SG	Illustration	Restrictions	UPD	22:03	04.12.2006		ETKA
GO	2007	8	57	857-40	Rabbit/GTI	597	USA			

Pos	Part Number	Name	Remarks	Qty	Model	Pos	Part Number	Name	Remarks	Qty	Model
(12)	3C0 857 522 A	mirror glass (convex) with plate with inscription in language:	right english-usa	1							
13	1K0 857 537	cap for rear view mirror	left	1							
	06/05 GRU	primed									
(13)	1K0 857 538	cap for rear view mirror	right	1							
	06/05 GRU	primed									
14	1K0 857 511	rear view mirror, inner anti-dazzle		1							
	06/05-02/069B9	satin black									
(14)	3B0 857 511 A	rear view mirror, inner anti-dazzle		1							
	03/06 9B9	satin black									


Model	Year	MG	SG	Illustration	Restrictions	UPD	22:03	04.12.2006		ETKA
GO	2007	8	57	857-50	Rabbit/GTI	597	USA			

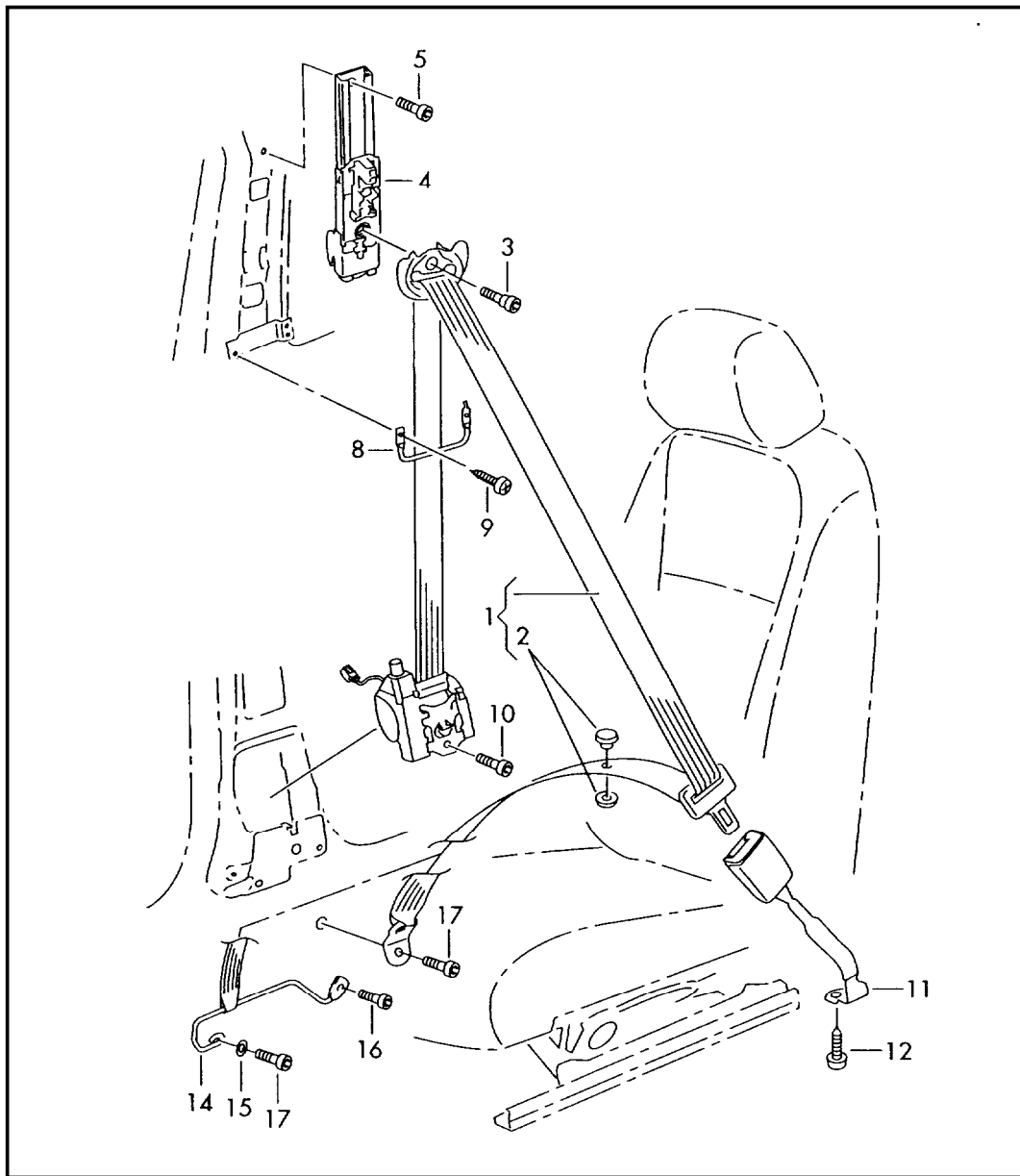


Pos	Part Number	Name	Remarks	Qty	Model
(1)	1K0 857 551 R	sun visor grab handle		1	"CDN"
	02/06 2F4	pearl grey	-HA, JB, JS, JT		
	02/06 4AN	anthracite	-IR, RZ, TK		
	02/06-06/063V6	beige	-JU		
(1)	1K0 857 551 Q	sun visor with mirror and cover	left	1	"USA"
	02/06 2F4	pearl grey	-HA, JB, JS, JT		
	02/06 4AN	anthracite	-IR, RZ, TK		
	02/06-06/063V6	beige	-JU		
(2)	1K0 857 552 N	sun visor with mirror and cover	right	1	"CDN"
	02/06 2F4	pearl grey	-HA, JB, JS, JT		
	02/06 4AN	anthracite	-IR, RZ, TK		
	02/06-06/063V6	beige	-JU		
(2)	1K0 857 552 M	sun visor with mirror and cover	right	1	"USA"
	02/06 2F4	pearl grey	-HA, JB, JS, JT		
	02/06 4AN	anthracite	-IR, RZ, TK		
	02/06-06/063V6	beige	-JU		
4	N 102 583 01	round hd. screw	M4X30-CH	1	
7	1K0 857 561 B	bracket for sun visor		2	
	06/05 Y20	pearl grey	-GB, GC, HA, HB, HC, HE, HQ, HR, JB, JS, JT, KG, KH, KU, KV, MQ, MR, RS, RT, TG, TM, TS, UL, UM, VT, WT, XF, XL, YG, ZS, ZT, 28, 29, HD, KK, KL		
	06/05-11/067G8	beige	-HS, JU, KJ, KW, MU, TH, TN, UN, VU		


Model	Year	MG	SG	Illustration	Restrictions	UPD	22:03	04.12.2006		ETKA
GO	2007	8	57	857-50	Rabbit/GTI	597	USA			

Pos	Part Number	Name	Remarks	Qty	Model	Pos	Part Number	Name	Remarks	Qty	Model
	06/05 71N	anthracite	-IG, IK, IR, RZ, TK			18	N 105 944 01	innensechsrund-linsenschraube	M5X18	6	
8	1K0 858 773 A	bracket for sun visor	left	1		20	1K0 858 685 B	bracket for grab handle		2	
8A	1K0 867 633	clamp		1		21	1K0 858 685 B	bracket for grab handle		2	
9	1K0 858 774 A	bracket for sun visor	right	1		22	1K0 867 633	clamp		2	
9A	1K0 867 633	clamp		1		23	1K0 867 633	clamp		2	
11	1K0 857 607 H	grab handle, folding	front	1							
	06/05 Y20	pearl grey	-GB, GC, HA, HB, HC, HE, HQ, HR, JB, JS, JT, KG, KH, KU, KV, MQ, MR, RS, RT, TG, TM, TS, UL, UM, VT, WT, XF, XL, YG, ZS, ZT, 28, 29, HD, KK, KL								
	06/05-11/067G8	beige	-HS, JU, KJ, KW, MU, TH, TN, UN, VU								
	06/05 71N	anthracite	-IG, IK, IR, RZ, TK								
12	1K0 857 607 J	grab handle, folding with coat hook	rear	1							
	06/05 Y20	pearl grey	-GB, GC, HA, HB, HC, HE, HQ, HR, JB, JS, JT, KG, KH, KU, KV, MQ, MR, RS, RT, TG, TM, TS, UL, UM, VT, WT, XF, XL, YG, ZS, ZT, 28, 29, HD, KK, KL								
	06/05-11/067G8	beige	-HS, JU, KJ, KW, MU, TH, TN, UN, VU								
	06/05 71N	anthracite	-IG, IK, IR, RZ, TK								
13	N 102 583 01	round hd. screw	M4X30-CH	2							
(15)	1K0 858 687 E	bracket for grab handle	front	2							
16	N 105 944 01	innensechsrund-linsenschraube	M5X18	6							
(17)	1K0 858 687 F	bracket for grab handle	rear	2							


Model	Year	MG	SG	Illustration	Restrictions	UPD	22:03	04.12.2006		ETKA
GO	2007	8	57	857-60	Rabbit/GTI	597	USA			

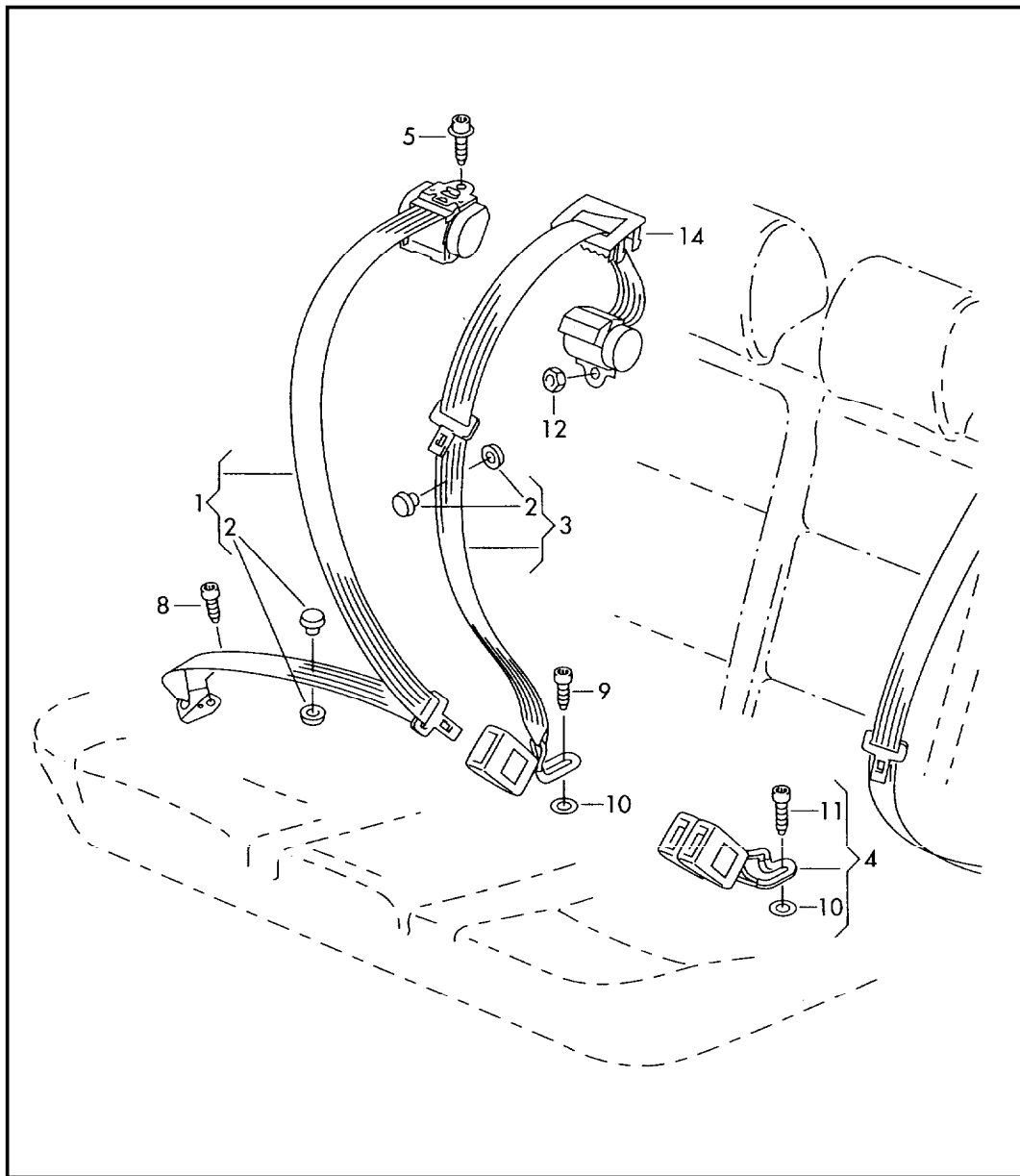


Pos	Part Number	Name	Remarks	Qty	Model
		three-point seat belt	front		
(1)	1K3 857 705 A	three-point automatic seat belt with belt tensioner ** caution dangerous cargo **	left 2 doors	1	
	02/06 RAA	black			
1	1K3 857 706 A	three-point automatic seat belt with belt tensioner ** caution dangerous cargo **	right 2 doors	1	
	02/06-06/06RAA	black			
(1)	1K4 857 705 H	three-point automatic seat belt with belt tensioner ** caution dangerous cargo **	left 4-door	1	
	05/06 RAA	black			
(1)	1K4 857 706 G	three-point automatic seat belt with belt tensioner ** caution dangerous cargo **	right 4-door	1	
	05/06-06/06RAA	black			
2	443 857 847 B	button	16MM	2	
	06/05-06/064PK	sabre (black)			
3	N 989 243 01	socket hd. screw with polygon socket	7/16"-20UNFX26	2	
4	1T0 857 819	seat belt height adjustment		2	
5	N 105 724 01	bolt, with polygon socket hd.	M8X16	2	
8	1K3 857 817	belt guide	2 doors	2	
9	N 105 944 01	innensechsrund-linsenschraube	M5X18	4	
10	N 989 260 01	socket hd. screw with polygon socket	7/16"-20UNFX22	2	
(11)	1K3 857 755 R	press button buckle with warning contact	left	1	
	02/06 QVZ	satin black/fire red			
11	1K3 857 756 AF	press button buckle with warning contact	right	1	"USA"
	02/06 QVZ	satin black/fire red			


Model	Year	MG	SG	Illustration	Restrictions	UPD	22:03	04.12.2006		ETKA
GO	2007	8	57	857-60	Rabbit/GTI	597	USA			

Pos	Part Number	Name	Remarks	Qty	Model	Pos	Part Number	Name	Remarks	Qty	Model
(11)	1K3 857 756 AC	press button buckle with warning contact	right	1	"CDN"						
	02/06 QVZ	satin black/fire red									
12	N 910 326 01	bolt, with polygon socket hd.	M8X12	2							
(14)	1K3 857 825 A	guide	left	1							
14	1K3 857 826 A	guide	right	1							
15	N 011 655 2	washer	11,5X21X1,8	2							
16	N 105 724 01	bolt, with polygon socket hd.	M8X16	2							
17	N 989 261 01	bolt, with polygon socket hd.	7/16"-20UNFX32	X							


Model	Year	MG	SG	Illustration	Restrictions	UPD	22:04	04.12.2006		ETKA
GO	2007	8	57	857-70	Rabbit/GTI	597	USA			

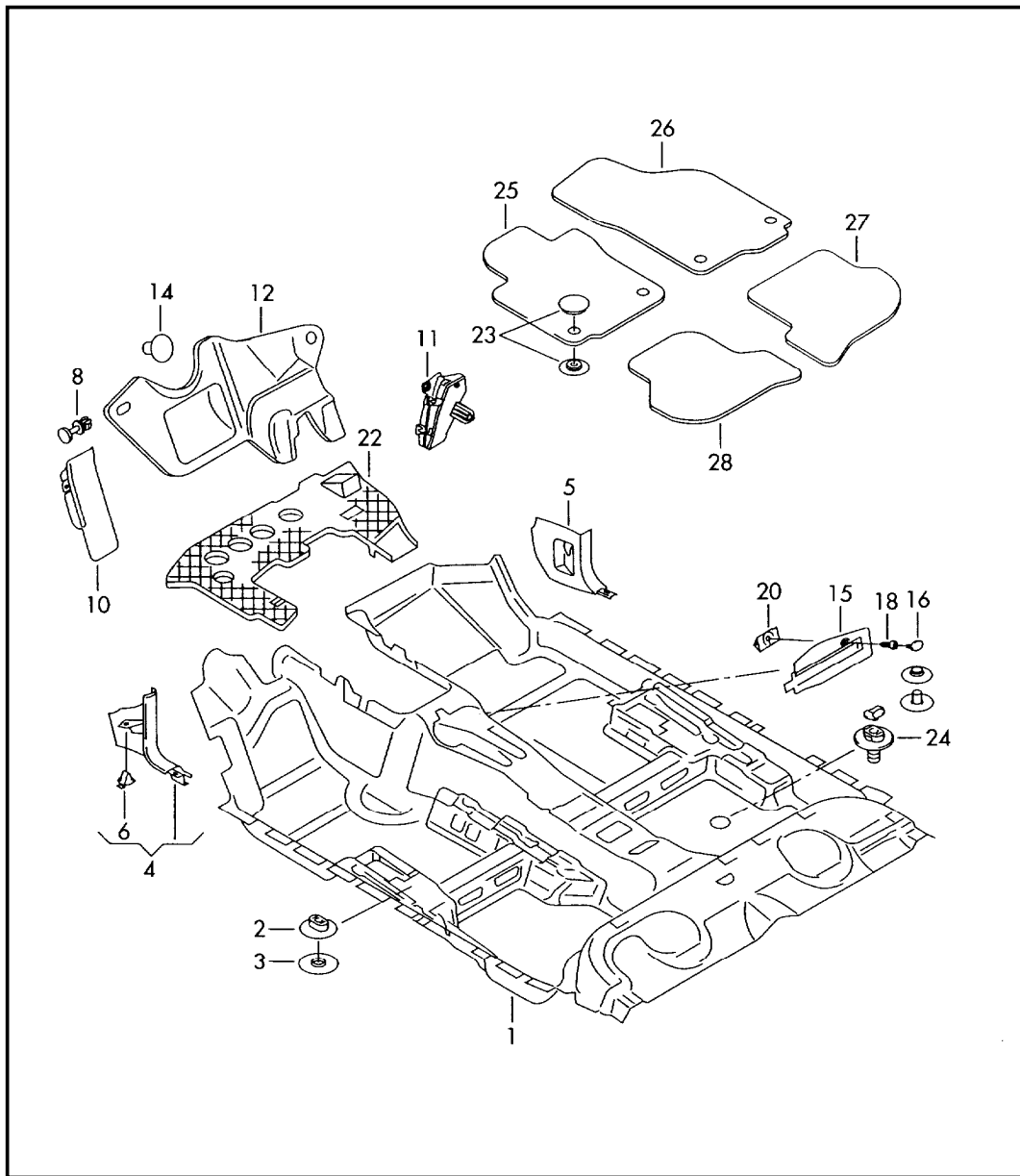


Pos	Part Number	Name	Remarks	Qty	Model
		three-point seat belt	rear		
(1)	1K6 857 805 P	three-point seat belt with inertia reel	2+4 door left	1	PR-4X3
	02/06 RAA	black			
1	1K6 857 806 P	three-point seat belt with inertia reel	2+4 door right	1	PR-4X3
	02/06 RAA	black			
(1)	1K6 857 805 R	three-point automatic seat belt with belt tensioner for vehicles with side airbag ** caution dangerous cargo **	4-door left front and rear	1	PR-4X4
	02/06 RAA	black			
(1)	1K6 857 806 R	three-point automatic seat belt with belt tensioner for vehicles with side airbag ** caution dangerous cargo **	4-door right front and rear	1	PR-4X4
	02/06 RAA	black			
2	443 857 847 B	button	16MM	1	
	06/05 4PK	sabre (black)			
3	1K6 857 807 F	three-point seat belt with automatic and press button buckle	center	1	PR-4X3
	02/06 RAA	black			
(3)	1K6 857 807 G	three-point seat belt with automatic and press button buckle	center	1	PR-4X4
	06/06 RAA	black			
4	1K0 857 739 D	double press button buckle	left	1	
	02/06 QVZ	satin black/fire red			
5	N 989 260 01	socket hd. screw with polygon socket	7/16"-20UNFX22	1	
8	N 989 261 01	bolt, with polygon socket hd.	7/16"-20UNFX32	1	
9	N 989 258 01	bolt, with polygon socket hd.	7/16"-20UNFX42	1	


Model	Year	MG	SG	Illustration	Restrictions	UPD	22:04	04.12.2006		ETKA
GO	2007	8	57	857-70	Rabbit/GTI	597	USA			

Pos	Part Number	Name	Remarks	Qty	Model	Pos	Part Number	Name	Remarks	Qty	Model
10	803 019 813	sealing washer		2							
11	N 989 259 01	bolt, with polygon socket hd.	7/16"-20UNFX50	1							
12	481 857 732	hex. nut		1							
(14)	1K0 857 781 B	belt guide		1							
	06/05 3U6	art gray	-HC, HD, HR, JT,								
	06/05 7G8	beige	-HS, JU, KJ, KW,								
	06/05 71N	anthracite	-HA, HB, HE, IG, IK, JS, KG, KK,								


Model	Year	MG	SG	Illustration	Restrictions	UPD	22:04	04.12.2006		ETKA
GO	2007	8	63	863-00	Rabbit/GTI	597	USA			




Pos	Part Number	Name	Remarks	Qty	Model
		floor covering lining, pillar a foot support floor mat	lower front and rear		
(1)	1K1 863 367 AL 03/06-05/0607N	floor cover black	4 doors lhd	1	
(1)	1K1 863 367 AR 06/06 07N	floor cover black	lhd	1	
(1)	1K1 863 367 AL 06/05-03/064C3	floor cover anthracite	lhd	1	
		06/05-03/069S4 03/06-05/0607N	beige black		-HA, HB, IG, JS, KG, KK, KL, RS, RT, RZ, TG, TK, VT, WT, 28, 29 -JU, KJ, TH, VU
2	3D0 864 199 A 06/05 71N	bracket anthracite	upper	4	
		06/05 B41	satin black		-HA, HB, HE, IG, JS, KG, KK, KL, RS, RT, RZ, TG, TK, VT, WT, 28, 29
3	3D0 864 107 A 06/05 B41	bracket for floor cover satin black	lower	4	
-	443 863 988	plug		6	
4	1K1 863 483 06/05 3U6 06/05 7G8 06/05 71N	lining, pillar a art gray beige anthracite	left lhd	1	
		06/05 3U6 06/05 7G8	art gray beige		-HC, HD, JT, KH -JU, KJ, TH, VU -HA, HB, HE, IG, JS, KG, KK, KL, RS, RT, RZ, TG, TK, VT, WT, 28, 29
(5)	1K1 863 484 A 06/05 3U6 06/05 7G8	lining, pillar a art gray beige	right lhd	1	

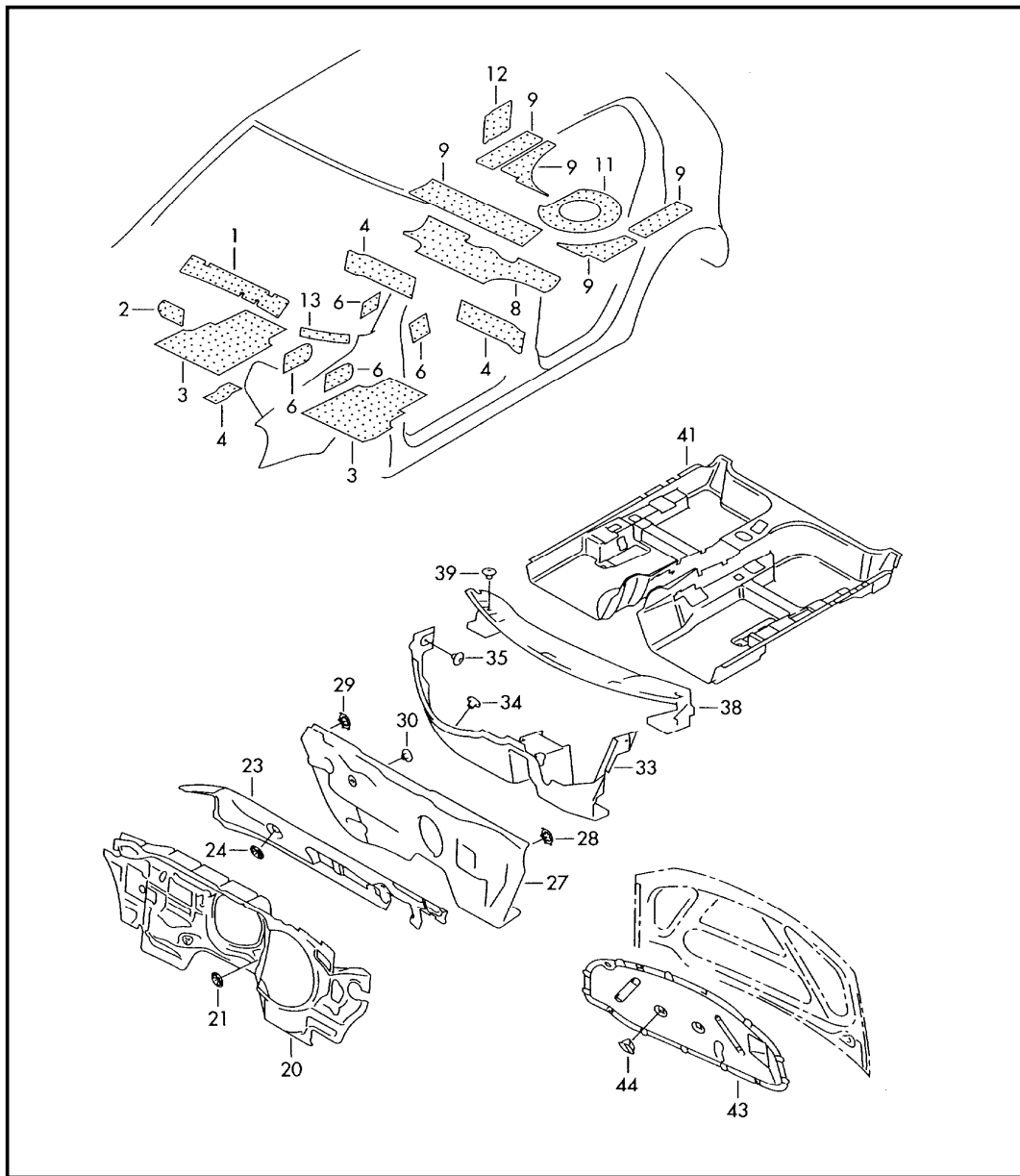
Model	Year	MG	SG	Illustration	Restrictions	UPD	22:04	04.12.2006		ETKA
GO	2007	8	63	863-00	Rabbit/GTI	597	USA			

Pos	Part Number	Name	Remarks	Qty	Model	Pos	Part Number	Name	Remarks	Qty	Model
	06/05 71N	anthracite	-HA, HB, IG, JS, KG, KK, KL, RS, RT, RZ, TG, TK,			22	1K1 863 083	cover under dashboard	lhd drivers side	1	
6	1K0 864 247	clamp	right	lhd 1			03/06 9B9	satin black			
8	1C0 867 207	clip		1		23	3D0 898 501 B	1 set of securing parts for floor mat		1	
(10)	1K1 864 777 B	cover for foot support		lhd 1	PR-VF0, VF3		06/05 71N	anthracite	-HA, HB, JS, KG, KK, KL, RS, RT, TG, TK, VT, WT, 28, 29		
	03/06 9B9	satin black									
(10)	1K1 864 551	base for foot support		lhd 1	PR-VF1						
	06/05-03/06TKH	anthracite/aluminium	-RS, RT, RZ, TK			24	3D0 864 851	knob for floor cover		4	
	03/06 SUB	satin black/aluminium-brushed					06/05 71N	anthracite	-HA, HB, JS, KG, KK, KL, RS, RT, TG, TK, VT, WT, 28, 29		
12	1K1 863 129 B	cover for steering column		lhd 1							
	06/05 9B9	satin black				25	1K1 864 435	floor mat	left	lhd 1	
14	N 908 618 01	pushbutton		lhd 2			06/05-03/06RYJ	anthracite	-HA, HB, HE, JS, KG, KK, KL, RS, RT, RZ, TG, TK, VT, WT, 28, 29		
	06/05 01C	satin black	9, 5X8X24								
	06/05 71N	anthracite	-HA, HB, HE, IG, JS, KG, KK, KL, RS, RT, RZ, TG, TK, VT, WT, 28, 29			(25)	1K1 864 435 D	floor mat	left	lhd 1	
(15)	1K0 864 227 C	bracket	right	1			03/06 WGK	black	-HA, HB, HC, HD, HE, JS, JT, JU, KG, KH, KJ, KK, KL, RS, RT, RZ, TG, TH, TK, VT, VU, WT		
	06/05 71N	anthracite	-HA, HB, HE, IG, JS, KG, KK, KL, RS, RT, RZ, TG, TK, VT, WT, 28, 29			26	1K1 864 436 A	floor mat	right	lhd 1	
(16)	1K0 864 137 A	cap	right	1			06/05-03/06RYJ	anthracite	-HA, HB, HE, JS, KG, KK, KL, RS, RT, RZ, TG, TK, VT, WT, 28, 29		
	06/05 71N	anthracite	-HA, HB, HE, IG, JS, KG, KK, KL, RS, RT, RZ, TG, TK, VT, WT, 28, 29			(26)	1K1 864 436 E	floor mat	right	lhd 1	
							03/06 WGK	black	-HA, HB, HC, HD, HE, JS, JT, JU, KG, KH, KJ, KK, KL, RS, RT, RZ, TG, TH, TK, VT, VU, WT		
18	N 104 149 01	innensechsrund-blechschaube		1							
20	+ N 902 577 03	speed nut	ST4, 2	1							
22	1K1 863 081	cover under dashboard		lhd 1		28	1K0 864 451 B	floor mat	left rear	1	
	06/05-03/069B9	satin black									


Model	Year	MG	SG	Illustration	Restrictions	UPD	22:04	04.12.2006		ETKA
GO	2007	8	63	863-00	Rabbit/GTI	597	USA			

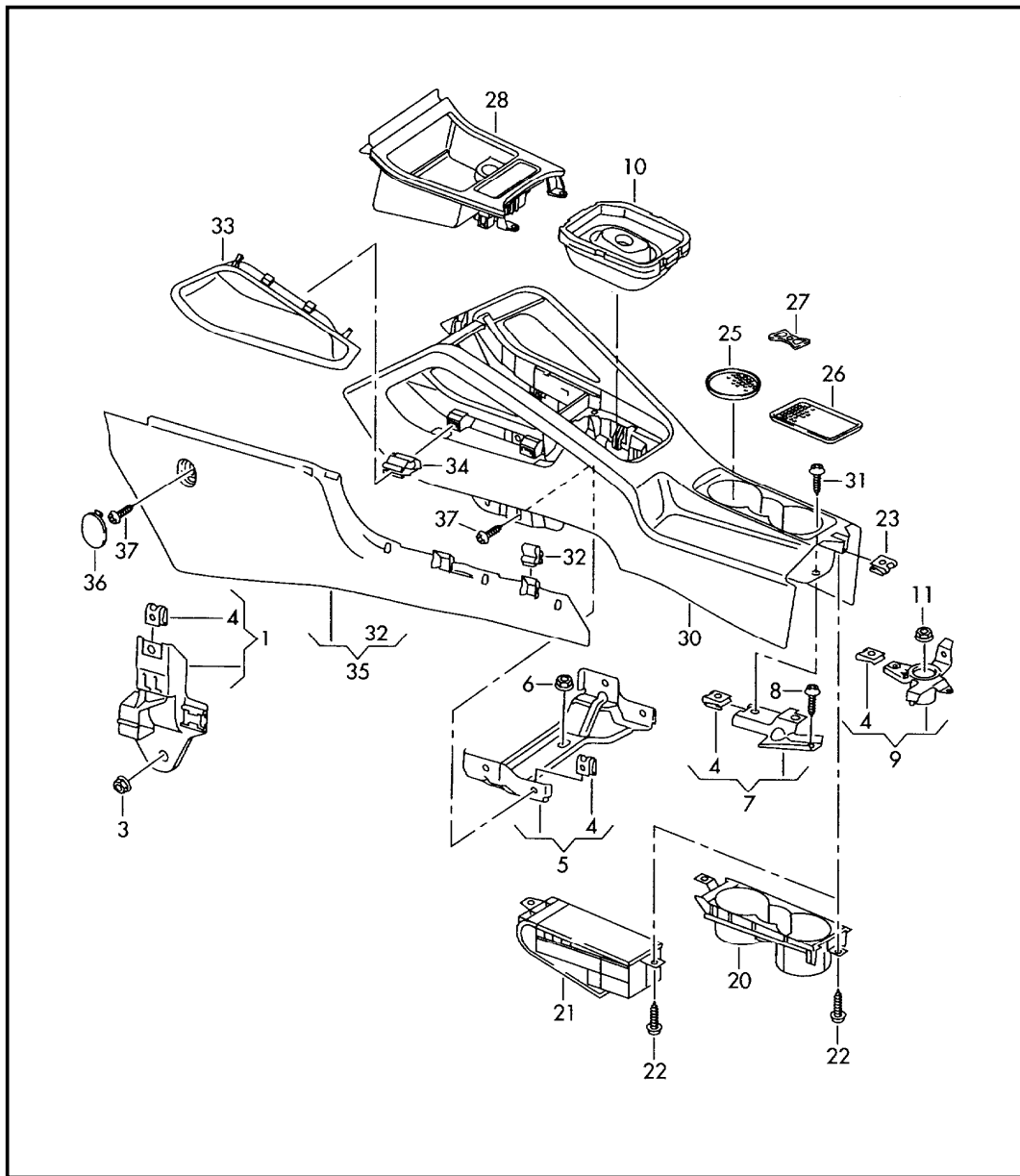
Pos	Part Number	Name	Remarks	Qty	Model	Pos	Part Number	Name	Remarks	Qty	Model
	03/06 WGK	black	-HA, HB, HC, HD, HE, JS, JT, JU, KG, KH, KJ, KK, KL, RS, RT, RZ, TG, TH, TK, VT, VU, WT								
27	1K0 864 452 B	floor mat	right rear	1							
	03/06 WGK	black	-HA, HB, HC, HD, HE, JS, JT, JU, KG, KH, KJ, KK, KL, RS, RT, RZ, TG, TH, TK, VT, VU, WT								

Model	Year	MG	SG	Illustration	Restrictions	UPD	22:04	04.12.2006		ETKA
GO	2007	8	63	863-20	Rabbit/GTI	597	USA			




Pos	Part Number	Name	Remarks	Qty	Model
		sound absorber			
2-13		make up from:	323 863 950	X	
-	323 863 950	sound absorber (adhesive) 'order qty. 6'	550X250X2	X	
(20)	1K1 863 353 P	sound absorber for cross panel	outer	lhd	1
23	1K0 863 993 F	sound absorber for water box			1
24	+ N 907 965 01	clamping washer		lhd	2
27	1K1 863 247 N	sound absorber for cross panel	inner	lhd	1 GTI
27	1K1 863 247 M	sound absorber for cross panel	inner	lhd	1 R32
28	WHT 000 278	spring washer		lhd	1
30	4A5 853 909	speed nut		lhd	1
	06/05 01C	satin black			
-	441 863 987	clip			1
(33)	1K1 863 864 D	sound absorber front panel		lhd	1
34	441 863 987 A	pushbutton	9,5X12X30		1
	06/05 B41	satin black		lhd	
35	4A5 853 909	speed nut			2
	06/05 01C	satin black			
38	1K1 863 909 F	sound absorb. for cross member		lhd	1
39	4A5 853 909	speed nut			3
	06/05 01C	satin black			
41	1K0 863 919 L	sound absorber for floor			1
(43)	1K0 863 831 C	sound absorber for engine lid	front		1
(43)	1K0 863 831 D	sound absorber for engine lid	front		1
44	1H5 863 849 A	retaining clip			10
	06/05 01C	satin black			


Model	Year	MG	SG	Illustration	Restrictions	UPD	22:04	04.12.2006		ETKA
GO	2007	8	63	863-50	Rabbit/GTI	597	USA			

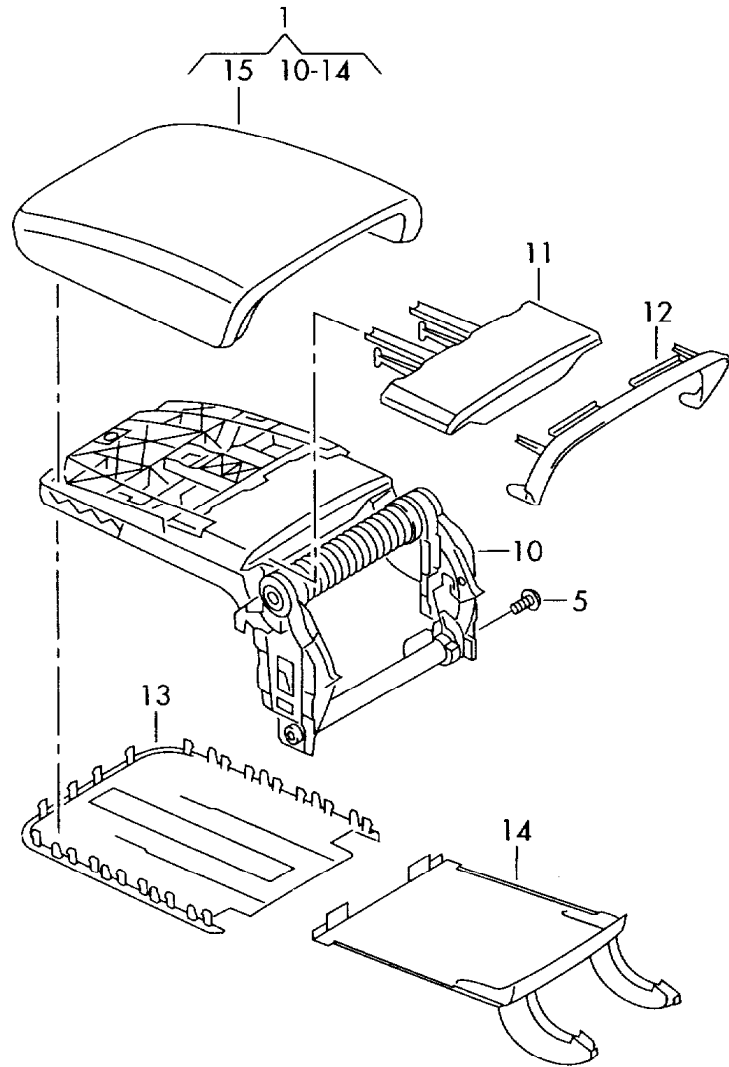


Pos	Part Number	Name	Remarks	Qty	Model
		center console	front		
1	1K1 863 143 B	retaining clamp	left lhd	1	
(1)	1K1 863 144 C	retaining clamp	right lhd	1	
3	+ N 907 579 01	shouldered hex. nut	E5	2	
4	N 906 987 01	speed nut	ST4, 2X16X12	X	
5	1K0 863 525 A	retaining clamp	center	1	
6	N 904 465 02	shouldered hex. nut	M6	2	
9	1K0 861 371 A	bracket for console	rear	1	
10	1K0 864 220	sound absorber for manual transmission		1	
11	N 015 083 14	shouldered hex. nut	M8	1	
20	1K5 862 531 B	cup holder	front	1	PR-6E0
	06/06 3U6	art gray	-JT		
	02/06 7G8	beige	-JU		
	02/06 71N	anthracite	-HA, JS, RZ, TG, TK		
21	1K0 862 531 A	cup holder for vehicles with center armrest	front	1	PR-6E3
	10/05 UBN	satin black	-HA, HB, HE, IG, JS, KG, KK, KL, RZ, TG, TK, VT, WT, 28, 29		
	06/05-09/05UJA	anthracite	-HA, HB, HE, IG, JS, KG, KK, KL, RZ, TG, TK, VT, WT		
	06/05 UJB	art gray	-HC, HD, JT, KH		
	06/05 UJC	beige	-JU, KJ, TH, VU		
22	N 906 986 06	innensechsrund-blechschaube	ST4, 2X16-C-T20	2	
25	1K5 863 301	insert for cup holder		2	PR-6E0
	06/06 3U6	art gray	-JT		
	06/06 7G8	beige	-JU		


Model	Year	MG	SG	Illustration	Restrictions	UPD	22:04	04.12.2006		ETKA
GO	2007	8	63	863-50	Rabbit/GTI	597	USA			

Pos	Part Number	Name	Remarks	Qty	Model	Pos	Part Number	Name	Remarks	Qty	Model
	02/06 71N	anthracite	-HA, JS, RZ, TG, TK			35	1K1 863 045	trim panel for console	left lhd	1	
26	1K0 863 301 B	insert for cup holder		1	PR-6E3		06/05 3U6	art gray	-HC, HD, JT, KH		
	06/05 71N	anthracite					06/05 7G8	beige	-JU, KJ, TH, VU		
(26)	1K0 863 301 C	insert for stowage compartment bottle opener		1	PR-6E3		06/05 71N	anthracite	-HA, HB, HE, IG, JS, KG, KK, KL, RZ, TG, TK, VT, WT, 28, 29		
	06/05 71N	anthracite									
27	1K0 858 230	bottle opener		1	PR-6E3	(35)	1K1 863 046	trim panel for console	right lhd	1	
28		shelf	see illustration: 857-30				06/05 3U6	art gray	-HC, HD, JT, KH		
30	1K0 863 243 A	center console	front	1			06/05 7G8	beige	-JU, KJ, TH, VU		
	06/05 3U6	art gray	-HC, HD, JT, KH				06/05 71N	anthracite	-HA, HB, HE, IG, JS, KG, KK, KL, RZ, TG, TK, VT, WT, 28, 29		
	06/05 7G8	beige	-JU, KJ, TH, VU								
	06/05 71N	anthracite	-HA, HB, HE, IG, JS, KG, KK, KL, RZ, TG, TK, VT, WT, 28, 29			36	1K0 863 359	cap		2	
31	N 906 986 06	innensechsrund-blechschaube	ST4, 2X16-C-T20	9			06/05 3U6	art gray	-HC, HD, JT, KH		
32	N 907 468 01	clamp	E3, 2X12, 5X12, 7	6			06/05 7G8	beige	-JU, KJ, TH, VU		
33	1K0 864 375 B	trim for center console	left	1			06/05 71N	anthracite	-HA, HB, HE, IG, JS, KG, KK, KL, RZ, TG, TK, VT, WT, 28, 29		
	06/05 3U6	art gray	-HC, HD, JT, KH								
	06/05 7G8	beige	-JU, KJ, TH, VU								
	06/05 71N	anthracite	-HA, HB, HE, IG, JS, KG, KK, KL, RZ, TG, TK, VT, WT, 28, 29			37	N 906 986 06	innensechsrund-blechschaube	ST4, 2X16-C-T20	X	
(33)	1K0 864 376 B	trim for center console	right	1							
	06/05 3U6	art gray	-HC, HD, JT, KH								
	06/05 7G8	beige	-JU, KJ, TH, VU								
	06/05 71N	anthracite	-HA, HB, HE, IG, JS, KG, KK, KL, RZ, TG, TK, VT, WT, 28, 29								
34	+ 4A0 853 107	clip		10							

Model	Year	MG	SG	Illustration	Restrictions	UPD	22:04	04.12.2006		ETKA
GO	2007	8	63	863-55	Rabbit/GTI	597	USA			



Pos	Part Number	Name	Remarks	Qty	Model
		armrest	front		
5		not a spare part for this model			
10	1K0 864 209 A	armrest (lower part)		1	
11	1K0 864 249 B	cover armrest	rear, upper	1	
	08/05 9B9	satin black			
12		not a spare part for this model			
13	1K0 864 249	cover armrest	front, lower	1	
	06/05 9B9	satin black			
14		not a spare part for this model			
(15)	1K0 864 245 B	armrest (upper part)	cloth	1	PR-N4C
	03/06 UAU	anthracite/off-black	-HA, HB, HE		
(15)	1K0 864 245 B	armrest (upper part)	cloth	1	PR-N0U
	03/06 7AA	anthracite	-JS		
	03/06 8AB	art gray	-JT		
	03/06 9AC	beige	-JU		
(15)	1K0 864 245 A	armrest (upper part)	cloth	1	PR-N2K
	06/05-02/06UAU	anthracite/off-black	-KG, RZ, WT		
(15)	1K0 864 245 B	armrest (upper part)	cloth	1	PR-N2K
	03/06 UAU	anthracite/off-black	-KG, RZ, WT		
(15)	1K0 864 245 A	armrest (upper part)	leather	1	PR-N7F
	06/05-02/0674F	anthracite	-TG, TK, IG, IK		
(15)	1K0 864 245 B	armrest (upper part)	leather	1	PR-N7F
	03/06 74F	anthracite	-TG, TK, IG, IK		
(15)	1K0 864 245 B	armrest (upper part)	leather	1	PR-N7F
	06/06 UTV	anthracite	-TG, TK, IG, IK, VT, YG		
	06/06 7C5	beige	-TH		

Model	Year	MG	SG	Illustration	Restrictions	UPD	22:04	04.12.2006		ETKA
GO	2007	8	63	863-55	Rabbit/GTI	597	USA			

Pos	Part Number	Name	Remarks	Qty	Model	Pos	Part Number	Name	Remarks	Qty	Model
	06/05 77H	anthracite	-TG, TK								
(15)	1K0 864 245 B	armrest (upper part)	leather	1	PR-N2K, N4C						
	06/06 77H	anthracite	-HA, RZ								



ETKA

Model	Year	MG	SG	Illustration	Restrictions	UPD	22:04	04.12.2006
GO	2007	8	63	863-60	Rabbit/GTI	597	USA	

Pos	Part Number	Name	Remarks	Qty	Model
		center console	rear		
1	1K5 864 251 B	bracket center console	rear	1	PR-6E3
2	N 906 987 01	speed nut	ST4,2X16X12	7	
3	N 906 986 06	innensechsrund-blechschraube	ST4,2X16-C-T20	X	
4		not a spare part for this model			
5	1K0 864 125	spring		1	PR-6E3
(6)	1K0 864 356	retaining clamp	rear	1	PR-6E3
8	1K0 864 255	air duct center console		1	PR-6E3+7A8
(8)	1K0 864 255 B	air duct center console F >> 1K-6-160 000*		1	PR-6E3+7A0+ FOA
(8)	1K0 864 255 C	air duct center console F 1K-6-160 001>>*		1	PR-6E3+7A0+ FOA
9-13		not a spare part for this model			
(14)	1K0 863 323 C	center console	rear	1	PR-6E0
	06/05 3U6	art gray	-HC,HD,JT,KH		
	06/05 7G8	beige	-JU,KJ,TH,VU		
	06/05 71N	anthracite	-HA,HB,HE,IG, JS,KG,KK,KL, RZ,TG,TK,VT, WT,28,29		
15	1K0 863 323 B	center console for vehicles with center armrest	rear	1	PR-6E3+7A0, 7A4
	06/05 3U6	art gray	-HC,HD,JT,KH		
	06/05 7G8	beige	-JU,KJ,TH,VU		
	06/05 71N	anthracite	-HA,HB,HE,IG, JS,KG,KK,KL, RZ,TG,TK,VT, WT,28,29		
(15)	1K0 863 323 A	center console for models with centre armrest and cd changer	rear	1	PR-6E3+7A8
	06/05 3U6	art gray	-HC,HD,JT,KH		



ETKA

Model	Year	MG	SG	Illustration	Restrictions	UPD	22:04	04.12.2006
GO	2007	8	63	863-60	Rabbit/GTI	597	USA	

Pos	Part Number	Name	Remarks	Qty	Model
	06/05 7G8	beige	-JU,KJ,TH,VU		
	06/05 71N	anthracite	-HA,HB,HE,IG, JS,KG,KK,KL, RZ,TG,TK,VT, WT,28,29		
16	N 906 986 06	innensechsrund-blechschraube	ST4,2X16-C-T20	X	
17		not a spare part for this model			
18		not a spare part for this model			
20	1K0 863 301 A	insert for cup holder	rear	1	PR-6E0
	06/05 3U6	art gray	-HC,HD,JT,KH		
	06/05 7G8	beige	-JU,KJ,TH,VU		
	06/05 71N	anthracite	-HA,HB,HE,IG, JS,KG,KK,KL, RZ,TG,TK,VT, WT,28,29		
21	1K0 863 328	insert for stowage compartment		1	PR-6E0
	06/05 3U6	art gray	-HC,HD,JT,KH		
	06/05 7G8	beige	-JU,KJ,TH,VU		
	06/05 71N	anthracite	-HA,HB,HE,IG, JS,KG,KK,KL, RZ,TG,TK,VT, WT,28,29		
22	1K0 863 328 B	insert for stowage compartment for vehicles with center armrest		1	PR-6E3+7A0
	06/05 3U6	art gray	-HC,HD,JT,KH		
	06/05 7G8	beige	-JU,KJ,TH,VU		
	06/05 71N	anthracite	-HA,HB,HE,IG, JS,KG,KK,KL, RZ,TG,TK,VT, WT,28,29		
23	1K0 863 328 A	insert for stowage compartment for models with centre armrest and cd changer		1	PR-6E3+7A8
	06/05 3U6	art gray	-HC,HD,JT,KH		
	06/05 7G8	beige	-JU,KJ,TH,VU		



ETKA

Model	Year	MG	SG	Illustration	Restrictions	UPD	22:04	04.12.2006
GO	2007	8	63	863-60	Rabbit/GTI	597	USA	

Pos	Part Number	Name	Remarks	Qty	Model
	06/05 71N	anthracite	-HA,HB,HE,IG, JS,KG,KK,KL, RZ,TG,TK,VT, WT,28,29		
30	1K0 863 339	cover for hanbrake opening		1	PR-6E0
	06/05 3U6	art gray	-HC,HD,JT,KH		
	06/05 7G8	beige	-JU,KJ,TH,VU		
	06/05 71N	anthracite	-HA,HB,HE,IG, JS,KG,KK,KL, RZ,TG,TK,VT, WT,28,29		
31	1K0 863 285	spring handbrake lever boot		1	PR-6E0
32	3B0 885 313	clip		2	PR-6E0
35	1K0 713 187	window blind hand brake lever		1	PR-6E3
	06/05 3U6	art gray	-HC,HD,JT,KH		
	06/05 7G8	beige	-JU,KJ,TH,VU		
	06/05-09/0571N	anthracite	-HA,HB,HE,IG, JS,KG,KK,KL, RZ,TG,TK,VT, WT,28,29		
	10/05 9B9	satin black	-HA,HB,HE,IG, IK,JS,KG,KK, KL,RZ,TG,TK, VT,WT,28,29		
36	N 906 986 06	innensechsrund-blechschaube	ST4,2X16-C-T20	3	PR-6E3
40	1K0 863 289 B	frame		1	PR-6E3
	06/05 3U6	art gray	-HC,HD,JT,KH		
	06/05 7G8	beige	-JU,KJ,TH,VU		
	06/05 71N	anthracite	-HA,HB,HE,IG, JS,KG,KK,KL, RZ,TG,TK,VT, WT,28,29		
42		fresh air outlet see illustration:	819-30		
45	1K0 862 532 B	cup holder	rear	1	PR-6E3
	06/05-01/069B9	satin black			
(45)	1K0 862 532 D	cup holder	rear	1	



ETKA

Model	Year	MG	SG	Illustration	Restrictions	UPD	22:04	04.12.2006
GO	2007	8	63	863-60	Rabbit/GTI	597	USA	


Pos	Part Number	Name	Remarks	Qty	Model
	02/06 9B9	satin black			
46	1K0 862 543 B	cover for cupholder	rear	1	PR-6E3
	06/05 3U6	art gray	-HC,HD,JT,KH		
	06/05 7G8	beige	-JU,KJ,TH,VU		
	06/05 71N	anthracite	-HA,HB,HE,IG, JS,KG,KK,KL, RZ,TG,TK,VT, WT,28,29		
47	N 906 986 06	innensechsrund-blechschraube	ST4,2X16-C-T20	2	PR-6E3
48		not a spare part for this model			
49		not a spare part for this model			
50		electrical outlet see illustration:	919-20		
51	1K0 868 885	cover with air vent		1	PR-6E3+7A0
	06/05-02/0671N	anthracite	-HA,HB,HE,IG, JS,KG,KK,KL, RZ,TG,TK,VT, WT,28,29		
(51)	1K0 868 885 B	cover		1	PR-6E3+7A0
	03/06 3U6	art gray	-HC,HD,JT,KH		
	03/06 7G8	beige	-JU,KJ,TH,VU		
	03/06 71N	anthracite	-HA,HB,HE,IG, IK,JS,KG,KK, KL,RS,RT,RZ, TG,TK,VT,28, 29		
52	1K0 863 286	retaining spring		1	PR-6E3+7A0
53	3B0 816 355	valve		1	PR-6E3+7A0
	06/05-02/0601C	satin black			
55		not a spare part for this model			
(56)	1K0 857 925 D	shelf for vehicles with mp3 player connection:	I-POD	1	PR-UF1+6E3+ 7A9
	03/06 1QB	black			

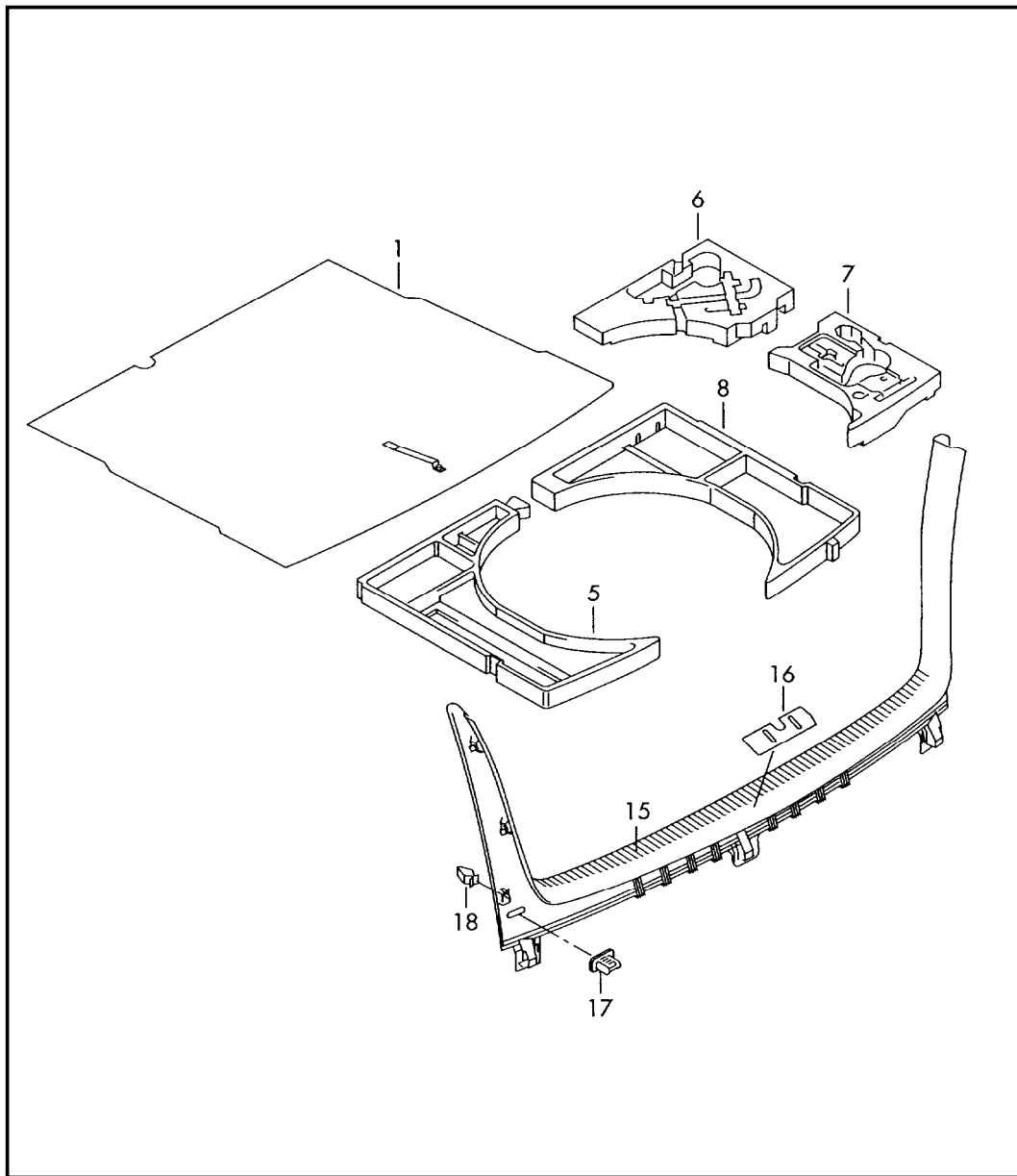


ETKA


Model	Year	MG	SG	Illustration	Restrictions	UPD	22:04	04.12.2006
GO	2007	8	63	863-60	Rabbit/GTI	597	USA	

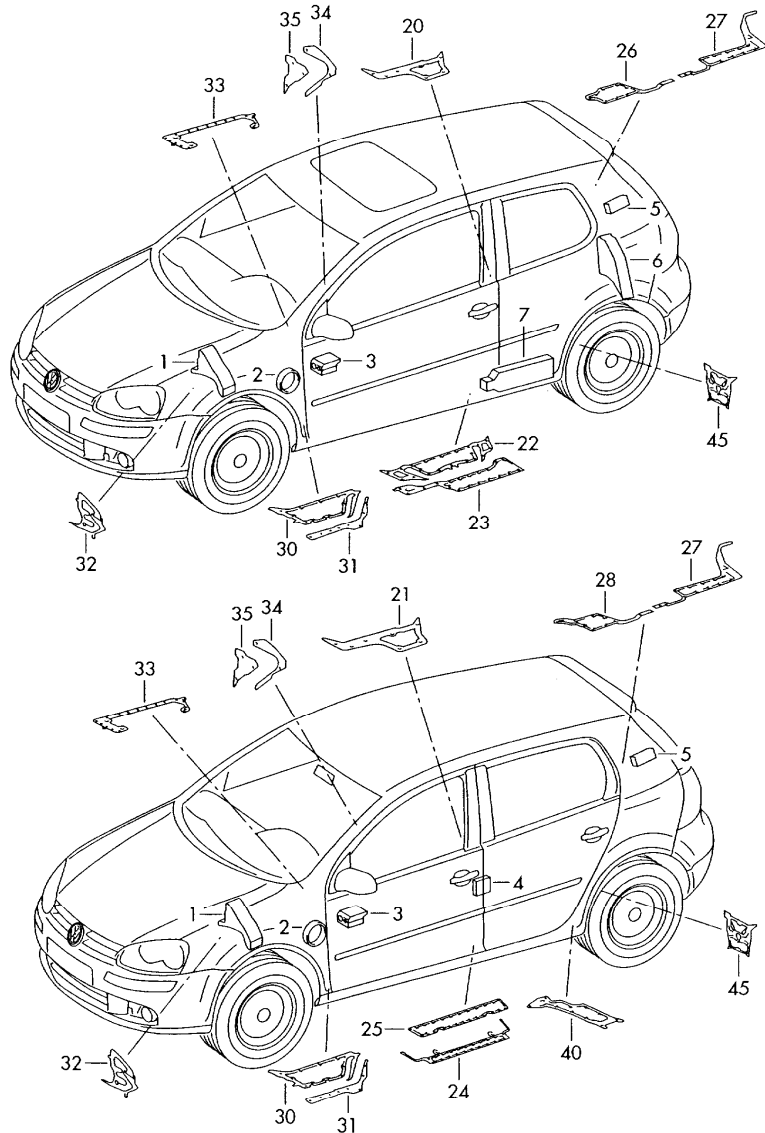
Pos	Part Number	Name	Remarks	Qty	Model
(57)	1K0 868 003 A	adapter for vehicles with mp3 player connection:	I-POD	1	PR-UF1+6E3+ 7A9
-		harness for vehicles with mp3 player connection: ** see accessories catalog **	USB/I-POD VOTEX		PR-UF1,UF2+ 6E3

Model	Year	MG	SG	Illustration	Restrictions	UPD	22:04	04.12.2006		ETKA
GO	2007	8	63	863-80	Rabbit/GTI	597	USA			




Pos	Part Number	Name	Remarks	Qty	Model
1	1K6 863 463 G	trunk lining cover for lock carrier		1	PR-1G1,1G2, 1G3
	06/05 1BS	anthracite			
5	1K6 858 857 B	insert for boot floor plate for spare wheel with normal tire	left	1	PR-1G1,1G2, 1G3
8	1K6 858 858 C	insert for boot floor plate for spare wheel with normal tire	right	1	PR-1G1,1G2, 1G3
(15)	1K6 863 459 T	cover for lock carrier for spare wheel with normal tire		1	PR-1G2,1G3+ 1X0+9P3
	06/05 9B9	satin black			
(16)	1K6 863 651 C	flap		1	
	06/05 9B9	satin black			
17 +	357 867 646	clip		9	
	06/05 01C	satin black			
18	7M3 827 649	clamp		4	


Model	Year	MG	SG	Illustration	Restrictions	UPD	22:05	04.12.2006		ETKA
GO	2007	8	64	864-00	Rabbit/GTI	597	USA			

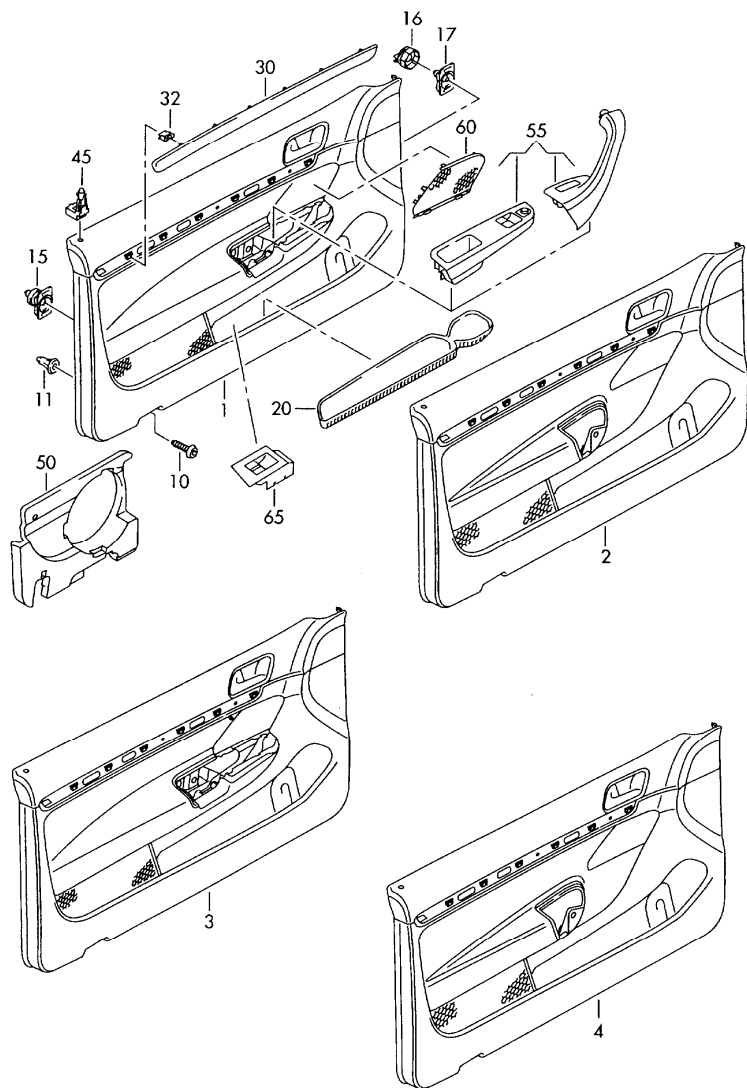


Pos	Part Number	Name	Remarks	Qty	Model
		sound absorber			
(1)	1K0 864 237 A	sound absorber for fender	front 2+4 door	2	
2	1K0 864 703 A	damping ring sound absorber-pillar a	center 2+4 door	2	
3	1J0 864 732 A	sound absorber fuel line	2+4 door	1	
4	1J3 864 733 B	sound absorber sound absorber-pillar b	center 4-door expanding	2	
5	3B0 864 733	sound absorber	upper expanding	2	
6	1K3 864 711	sound absorber for fender	rear 2 doors expanding	2	
7	1K3 864 707	sound absorber-pillar b	lower 2 doors expanding	2	
		deadener (expanding)			
20	1K3 864 649 B	deadener, b-pillar	left, center 2 doors	1	
(20)	1K3 864 650 B	deadener, b-pillar	right, center 2 doors	1	
22	1K3 864 649 F	deadener, b-pillar	left a. right lower 2 doors	1	
23	1K3 864 649 E	deadener, b-pillar	left lower 2 doors	1	
(23)	1K3 864 650 E	deadener, b-pillar	right lower 2 doors	1	
26	1K3 864 633	deadener, c-pillar	left upper 2 doors	1	
(26)	1K3 864 634	deadener, c-pillar	right upper 2 doors	1	
(27)	1K6 864 633 A	deadener, c-pillar	upper 2+4 door	1	
(27)	1K6 864 634 A	deadener, c-pillar	right upper 2+4 door	1	


Model	Year	MG	SG	Illustration	Restrictions	UPD	22:05	04.12.2006		ETKA
GO	2007	8	64	864-00	Rabbit/GTI	597	USA			

Pos	Part Number	Name	Remarks	Qty	Model	Pos	Part Number	Name	Remarks	Qty	Model
28	1K4 864 633	deadener, c-pillar	left upper 4-door	1							
(28)	1K4 864 634	deadener, c-pillar	right upper 4-door	1							
30	1K0 864 627 A	deadener, a-pillar	left lower 2+4 door	1							
(30)	1K0 864 628 A	deadener, a-pillar	right lower 2+4 door	1							
31	1K0 864 627	deadener (expanding)	left lower 2+4 door	1							
(31)	1K0 864 628	deadener, a-pillar	right lower 2+4 door	1							
32	1K0 864 663	deadener (expanding) for fender	left a. right 2+4 door	2							
33	1K0 864 623 A	deadener (expanding) pillar a	left upper 2+4 door	1							
(33)	1K0 864 624 A	deadener (expanding) pillar a	right upper 2+4 door	1							
34	1K0 864 635	deadener (expanding) pillar a	left a. right 2+4 door	1							
35	1K0 864 635 A	deadener (expanding) pillar a	left a. right 2+4 door	1							
40	1K4 864 621	deadener (expanding)	left lower 4-door	1							
(40)	1K4 864 622	deadener (expanding)	right lower 4-door	1							
45	1K0 864 625	deadener (expanding)	left a. right	1							
-	AKL 450 005 05	butyl adhesive / sealing cord adhesives and sealing compound	5X5000	1							


Model	Year	MG	SG	Illustration	Restrictions	UPD	22:05	04.12.2006		ETKA
GO	2007	8	67	867-00	Rabbit/GTI	597	USA			

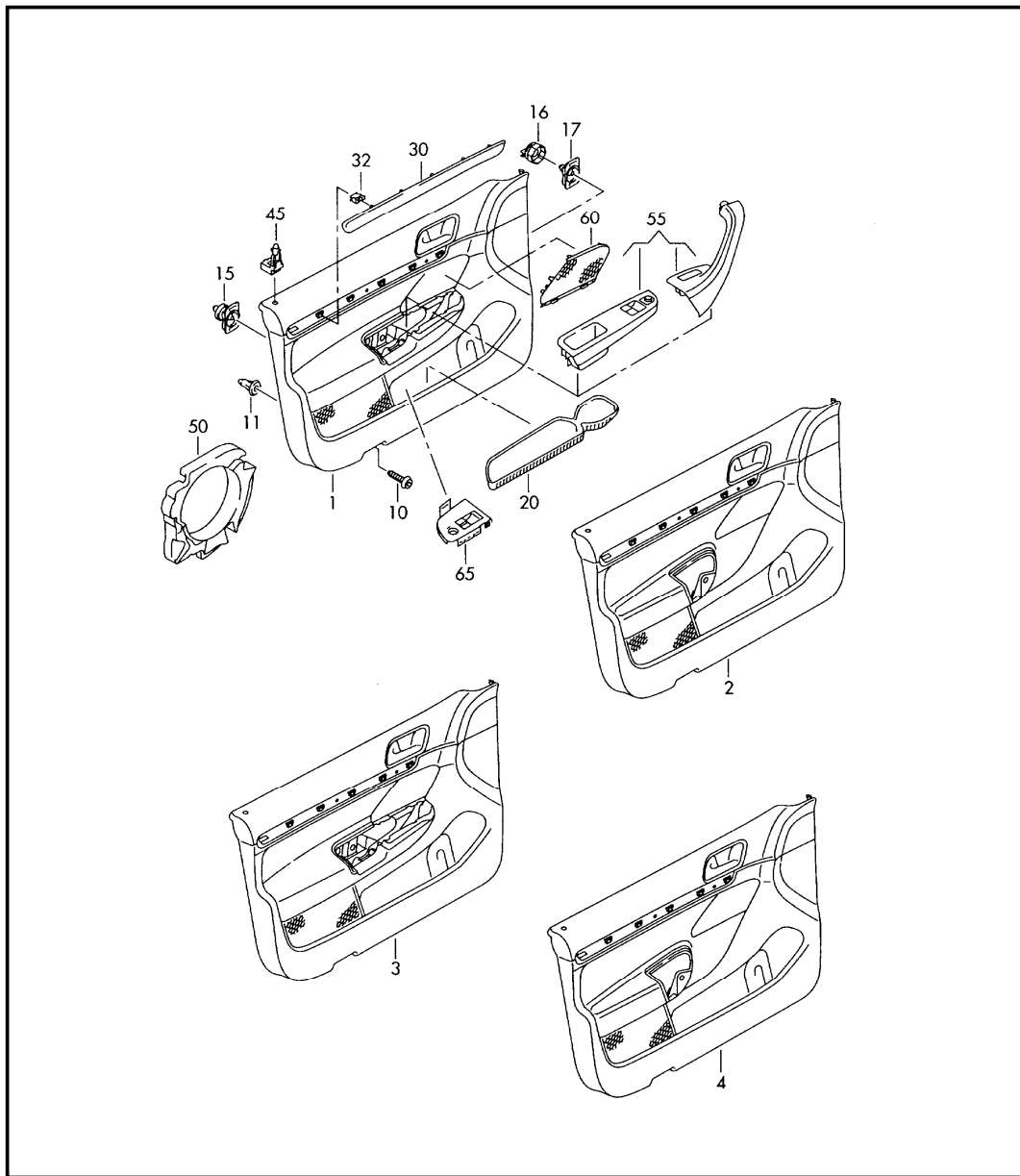


Pos	Part Number	Name	Remarks	Qty	Model
		door trim panel	front 2 doors		
3	1K3 867 011 N	door trim panel (cloth)	left	1	PR-4AF
	02/06 TRN	titan black /anthrazit	-HA,RZ		
(3)	1K3 867 012 N	door trim panel (cloth)	right	1	PR-4AF
	02/06 TRN	titan black /anthrazit	-HA,RZ		
3	1K3 867 011 R	door trim panel (leatherette)	left	1	PR-3LJ
	02/06 TSA	titan black /anthrazit	-TK		
(3)	1K3 867 012 R	door trim panel (leatherette)	right	1	PR-3LJ
	02/06 TSA	titan black /anthrazit	-TK		
		single parts			
10	N 907 397 01	tapping screw	5X22-Q	8	
11	N 105 962 01	expanding nut	F5	6	
(15) +	6Q0 868 243	clip		10	
16	6Q0 868 246 A	clip-lower part	front	2	
17	6Q0 868 241 A	clip-upper part	front	2	
-	6Q0 898 243	1 set of securing parts		1	
20	1K3 868 133 B	insert for stowage box	left lhd	1	PR-3YR
	06/05-08/0671N	anthracite	-GB, GC, HA, HB, HE, IG, IK, JB, JS, KG, KK, KL, RS, RT, RZ, TG, TK, TS, VT, WT, XF, YG, ZS, ZT, 28, 29, IR		
(20)	1K3 868 134 B	insert for stowage box	right lhd	1	PR-3YR
	06/05-08/0671N	anthracite	-GB, GC, HA, HB, HE, IG, IK, JB, JS, KG, KK, KL, RS, RT, RZ, TG, TK, TS, VT, WT, XF, YG, ZS, ZT, 28, 29, IR		
30	1K3 867 439	trim	left front	1	PR-5MA


Model	Year	MG	SG	Illustration	Restrictions	UPD	22:05	04.12.2006		ETKA
GO	2007	8	67	867-00	Rabbit/GTI	597	USA			

Pos	Part Number	Name	Remarks	Qty	Model	Pos	Part Number	Name	Remarks	Qty	Model
	02/06 3AT	anthracite	-HA, JS, JT, KG,								
(30)	1K3 867 440	trim	right front	1	PR-5MA						
	02/06 3AT	anthracite	-HA, JS, JT, KG,								
(30)	1K3 867 439 B	trim	left front	1	PR-A8H+5MD						
	08/05 4J4	aluminium-brushed	-RZ, TH, TK								
(30)	1K3 867 440 B	trim	right front	1	PR-A8H+5MD						
	08/05 4J4	aluminium-brushed	-RZ, TH, TK								
32 +	4A0 853 107	clip		12							
45		warning lamp see illustration:	919-20								
50	1K3 868 101 A	impact padding	left front	1							
(50)	1K3 868 102 A	impact padding	right front	1							
55		grab handle see illustration:	867-20								
60		trim with loudspeaker see illustration:	867-20								
65		switch bracket not a spare part contained in key:	1-4								
-	533 867 910 A	felt strip (adhesivel) 'order qty. 25'	20X1X880MM	*							


Model	Year	MG	SG	Illustration	Restrictions	UPD	22:06	04.12.2006		ETKA
GO	2007	8	67	867-05	Rabbit/GTI	597	USA			

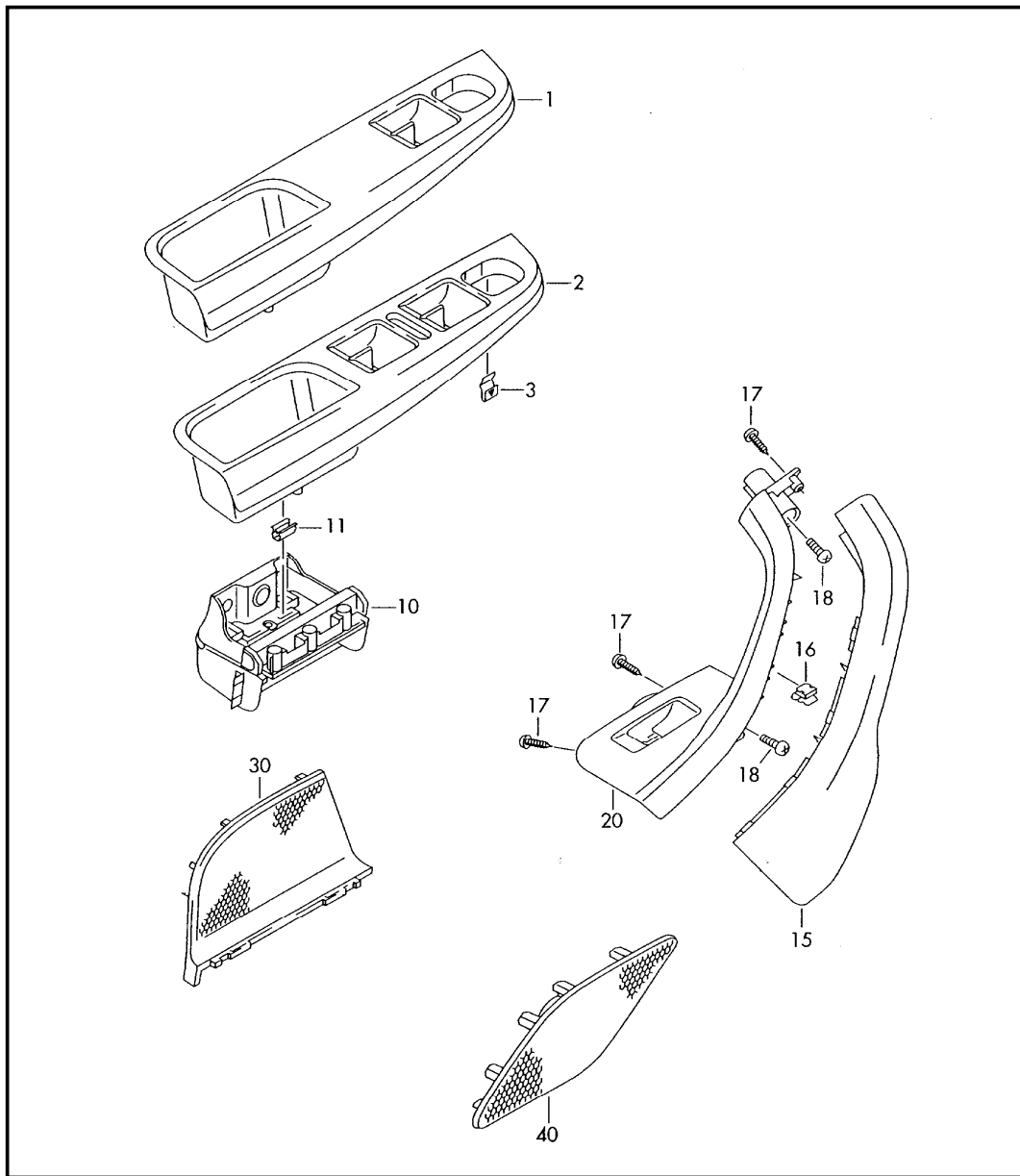


Pos	Part Number	Name	Remarks	Qty	Model
		door trim panel	front 4-door		
3	1K4 867 011 EC	door trim panel (cloth)	left	1	PR-4AF
	02/06 TRN	titan black /anthrazit	-RZ		
	02/06 TRS	titan black /anthrazit	-JS		
	02/06 TRT	titanium black/artgrey	-JT		
	02/06-06/06TRU	titanium black/pure beige	-JU		
3	1K4 867 012 EC	door trim panel (cloth)	right	1	PR-4AF
	02/06-05/06TRN	titan black /anthrazit	-RZ		
	02/06-05/06TRS	titan black /anthrazit	-JS		
	02/06-05/06TRT	titanium black/artgrey	-JT		
	02/06-06/06TRU	titanium black/pure beige	-JU		
(3)	1K4 867 012 HB	door trim panel (cloth)	right	1	PR-4AF
	06/06 TRN	titan black /anthrazit	-RZ		
	06/06 TRS	titan black /anthrazit	-JS		
	06/06 TRT	titanium black/artgrey	-JT		
3	1K4 867 011 ED	door trim panel (leatherette)	left	1	PR-3LJ
	02/06 TSA	titan black /anthrazit	-TK		
(3)	1K4 867 012 HC	door trim panel (leatherette)	right	1	PR-3LJ
	02/06 TSA	titan black /anthrazit	-TK		
10	N 907 397 01	tapping screw	5X22-Q	8	
11	N 105 962 01	expanding nut	F5	6	
(15) +	6Q0 868 243	clip		10	
16	6Q0 868 241 A	clip-upper part	front	2	
17	6Q0 868 246 A	clip-lower part	front	2	
-	6Q0 898 243	1 set of securing parts door and side trim panel		1	
20	1K4 868 133	insert for stowage box	left lhd	1	PR-3YR
	06/05-08/063U6	art gray	-HC,HD,JT,KH		


Model	Year	MG	SG	Illustration	Restrictions	UPD	22:06	04.12.2006		ETKA
GO	2007	8	67	867-05	Rabbit/GTI	597	USA			

Pos	Part Number	Name	Remarks	Qty	Model	Pos	Part Number	Name	Remarks	Qty	Model
	06/05-08/067G8	beige	-JU, KJ, TH, VU			65		switch bracket KEIN			
	06/05-08/0671N	anthracite	-GB, GC, HA, HB, HE, IG, IK, JB, JS, KG, KK, KL, RS, RT, RZ, TG, TK, TS, VT, WT, XF, YG, ZS, ZT, 28, 29, IR			-	533 867 910 A	contained in key: felt strip (adhesivel) 'order qty. 25'	1-4 20X1X880MM	*	
(20)	1K4 868 134	insert for stowage box	right lhd	1	PR-3YR						
	06/05-08/063U6	art gray	-HC, HD, JT, KH								
	06/05-08/067G8	beige	-JU, KJ, TH, VU								
	06/05-08/0671N	anthracite	-GB, GC, HA, HB, HE, IG, IK, JB, JS, KG, KK, KL, RS, RT, RZ, TG, TK, TS, VT, WT, XF, YG, ZS, ZT, 28, 29, IR								
(30)	1K4 867 439	trim	left front	1	PR-5MA						
	02/06 3AT	anthracite	-HA, JS, JT, KG,								
30	1K4 867 440	trim	right front	1	PR-5MA						
	02/06 3AT	anthracite	-HA, JS, JT, KG,								
(30)	1K4 867 439 B	trim	left front	1	PR-5MD+A8H						
	08/05 4J4	aluminium-brushed	-RZ, TH, TK								
(30)	1K4 867 440 B	trim	right front	1	PR-5MD+A8H						
	08/05 4J4	aluminium-brushed	-RZ, TH, TK								
32 +	4A0 853 107	clip		10							
45		warning lamp see illustration:	919-20								
(50)	1K4 868 101 D	impact padding	left front	1							
(50)	1K4 868 102 D	impact padding	right front	1							
55		grab handle see illustration:	867-20								
60		trim with loudspeaker see illustration:	867-20								


Model	Year	MG	SG	Illustration	Restrictions	UPD	22:06	04.12.2006		ETKA
GO	2007	8	67	867-20	Rabbit/GTI	597	USA			




Pos	Part Number	Name	Remarks	Qty	Model
1	1K3 868 049 B	grab handle cover	front	1	
	06/05-06/0675R	anthracite	left lhd 2 doors		
			-GB, GC, HA, HB, HE, IG, IK, JB, JS, KG, KK, KL, RS, RT, RZ, TG, TK, TS, VT, WT, XF, YG, ZS, ZT, 28, 29, IR		
2	1K4 868 049 B	cover for vehicles with electrically operated windows	left lhd 4-door front and rear	1	PR-4R4
	06/05-06/063Z7	art gray	-HC, HD, JT, KH		
	06/05-06/067R3	beige	-JU, KJ, TH, VU		
	06/05-06/0675R	anthracite	-GB, GC, HA, HB, HE, IG, IK, JB, JS, KG, KK, KL, RS, RT, RZ, TG, TK, TS, VT, WT, XF, YG, ZS, ZT, 28, 29, IR		
3	1K0 867 190	clamp		5	
10	1K1 867 179 B	grab handle	left lhd	1	
	06/05-06/063Z7	art gray	-HC, HD, JT, KH		
	06/05-06/067R3	beige	-JU, KJ, TH, VU		
	06/05-06/0675R	anthracite	-GB, GC, HA, HB, HE, IG, IK, JB, JS, KG, KK, KL, RS, RT, RZ, TG, TK, TS, VT, WT, XF, YG, ZS, ZT, 28, 29, IR		
11	3B0 867 190	spring clip		2	
(15)	1K0 868 040 A	cover	right lhd	1	
	06/05-06/063Z7	art gray	-HC, HD, JT, KH		
	06/05-06/067R3	beige	-JU, KJ, TH, VU		

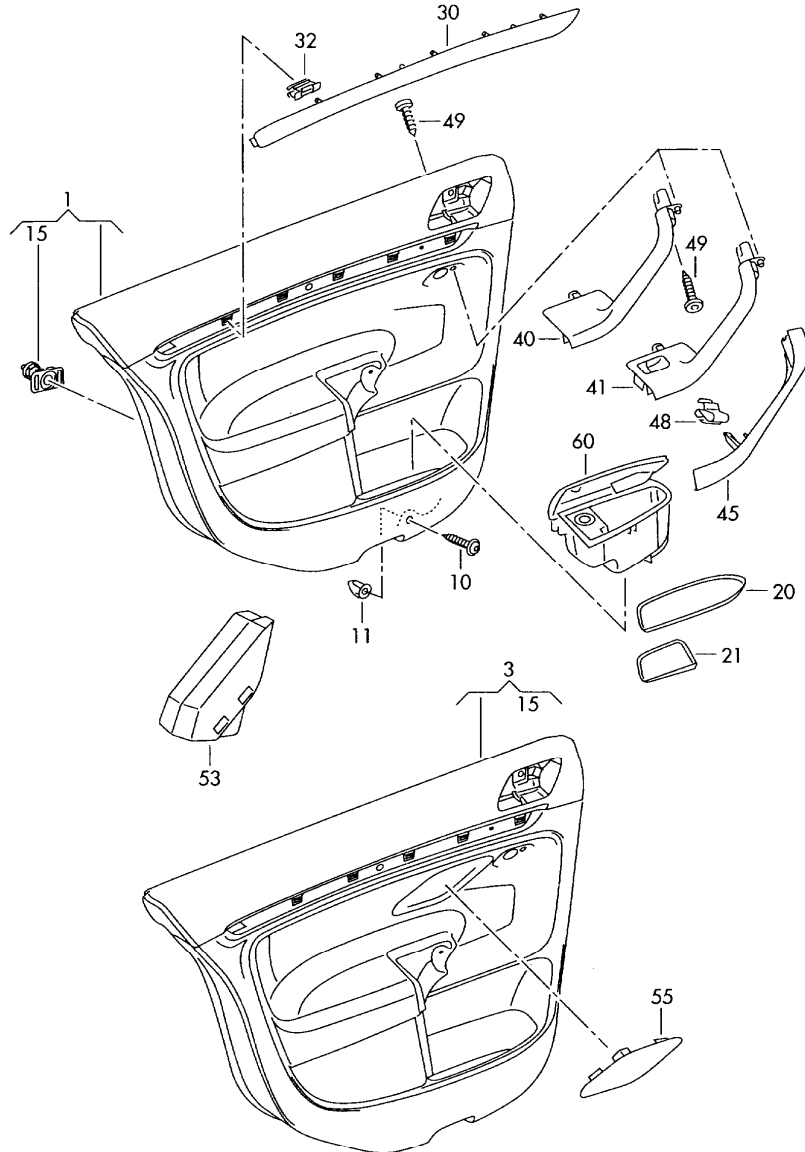
Model	Year	MG	SG	Illustration	Restrictions	UPD	22:06	04.12.2006		ETKA
GO	2007	8	67	867-20	Rabbit/GTI	597	USA			

Pos	Part Number	Name	Remarks	Qty	Model	Pos	Part Number	Name	Remarks	Qty	Model
	06/05-06/0675R	anthracite	-GB, GC, HA, HB, HE, IG, IK, JB, JS, KG, KK, KL, RS, RT, RZ, TG, TK, TS, VT, WT, XF, YG, ZS, ZT, 28, 29, IR				06/05 71N	anthracite	-GB, GC, HA, HB, HE, IG, IK, JB, JS, KG, KK, KL, RS, RT, RZ, TG, TK, TS, VT, WT, XF, YG, ZS, ZT, 28, 29, IR		
16	N 907 760 01	clamp	E3, 2X10, 1X12, 7	3							
17	N 909 868 01	innensechsrund-blechschraube	ST4, 2X13-R	3				trim with loudspeaker mid-treble speaker	rear		
18	N 906 111 01	fillister hd. screw	M6X20	2							
(20)	1K0 867 180 C	grab handle	right lhd	1		(40)	1K3 868 151 B	trim with loudspeaker loudspeaker tweeter	left 2 doors	1	PR-8RM, 8RW
	06/05-06/063Z7	art gray	-HC, HD, JT, KH				06/05 71N	anthracite			
	06/05-06/067R3	beige	-JU, KJ, TH, VU								
	06/05-06/0675R	anthracite	-GB, GC, HA, HB, HE, IG, IK, JB, JS, KG, KK, KL, RS, RT, RZ, TG, TK, TS, VT, WT, XF, YG, ZS, ZT, 28, 29, IR			(40)	1K3 868 152 B	trim with loudspeaker loudspeaker tweeter	2 doors	1	PR-8RM, 8RW
		loudspeaker grille mid-treble speaker	front				06/05 71N	anthracite	-GB, GC, HA, HB, HE, IG, IK, JB, JS, KG, KK, KL, RS, RT, RZ, TG, TK, TS, VT, WT, XF, YG, ZS, ZT, 28, 29, IR		
(30)	1K1 868 157	loudspeaker grille mid-treble speaker	left front lhd	1		40	1K3 868 151 C	trim with loudspeaker loudspeaker tweeter	left 2 doors	1	PR-9VG, 9VJ
	06/05 3U6	art gray	-HC, HD, JT, KH				06/05 71N	anthracite			
	06/05-11/067G8	beige	-JU, KJ, TH, VU								
	06/05 71N	anthracite	-GB, GC, HA, HB, HE, IG, IK, JB, JS, KG, KK, KL, RS, RT, RZ, TG, TK, TS, VT, WT, XF, YG, ZS, ZT, 28, 29, IR			(40)	1K3 868 152 C	trim with loudspeaker loudspeaker tweeter	right 2 doors	1	PR-9VG, 9VJ
30	1K1 868 158	loudspeaker grille mid-treble speaker	right front lhd	1			06/05 71N	anthracite	-GB, GC, HA, HB, HE, IG, IK, JB, JS, KG, KK, KL, RS, RT, RZ, TG, TK, TS, VT, WT, XF, YG, ZS, ZT, 28, 29, IR		
	06/05 3U6	art gray	-HC, HD, JT, KH								
	06/05-11/067G8	beige	-JU, KJ, TH, VU								


Model	Year	MG	SG	Illustration	Restrictions	UPD	22:06	04.12.2006		ETKA
GO	2007	8	67	867-20	Rabbit/GTI	597	USA			

Pos	Part Number	Name	Remarks	Qty	Model	Pos	Part Number	Name	Remarks	Qty	Model
(40)	1K4 868 151 B	trim with loudspeaker loudspeaker tweeter	left 4-door	1	PR-8RM, 8RW						
	06/05 3U6	art gray	-HC, HD, JT, KH								
	06/05-11/067G8	beige	-JU, KJ, TH, VU								
	06/05 71N	anthracite	-GB, GC, HA, HB, HE, IG, IK, JB, JS, KG, KK, KL, RS, RT, RZ, TG, TK, TS, VT, WT, XF, YG, ZS, ZT, 28, 29, IR								
(40)	1K4 868 152 B	trim with loudspeaker loudspeaker tweeter	right 4-door	1	PR-8RM, 8RW						
	06/05 3U6	art gray	-HC, HD, JT, KH								
	06/05-11/067G8	beige	-JU, KJ, TH, VU								
	06/05 71N	anthracite	-GB, GC, HA, HB, HE, IG, IK, JB, JS, KG, KK, KL, RS, RT, RZ, TG, TK, TS, VT, WT, XF, YG, ZS, ZT, 28, 29, IR								


Model	Year	MG	SG	Illustration	Restrictions	UPD	22:07	04.12.2006		ETKA
GO	2007	8	67	867-40	Rabbit/GTI	597	USA			




Pos	Part Number	Name	Remarks	Qty	Model
		door trim panel loudspeaker tweeter ----- for vehicles with manually operated windows to fit use workshop material -----	rear		PR-8RM, 8RW, 9VJ
(3)	1K6 867 211 FA	door trim panel (cloth)	left	1	PR-4AF+5MA, 5MD, 5MG, 5MJ+ 8RM, 8RW
	06/05 TRN	titan black /anthrazit	-KG, RS, RT, RZ, WT, XF, ZS, 28, 29		
	06/05 TRS	titan black /anthrazit	-JS		
	06/05 TRT	titanium black/artgrey	-JT		
	06/05-05/06TRU	titanium black/pure beige	-JU		
(3)	1K6 867 212 MA	door trim panel (cloth) w/o ashtry mount	right	1	PR-4AF+5MA, 5MD, 5MG, 5MJ+ 8RM, 8RW+9JA
	06/05 TRN	titan black /anthrazit	-KG, RS, RT, RZ, WT, XF, ZS, 28, 29		
	06/05 TRS	titan black /anthrazit	-JS		
	06/05 TRT	titanium black/artgrey	-JT		
	06/05-05/06TRU	titanium black/pure beige	-JU		
(3)	1K6 867 211 CQ	door trim panel (leatherette)	left	1	PR-3LJ+8RM, 8RW
	06/05 TSA	titan black /anthrazit	-TG, TK, VT, IR		
(3)	1K6 867 212 FN	door trim panel (leatherette) w/o ashtry mount	right	1	PR-3LJ+8RM, 8RW+9JA
	06/05 TSA	titan black /anthrazit	-TG, TK, VT, IR		
		grab handle decorative molding single parts	rear		
10	N 907 397 01	tapping screw	5X22-Q	2	
11	N 105 962 01	expanding nut	F5	2	
(15) +	6Q0 868 243	clip		10	

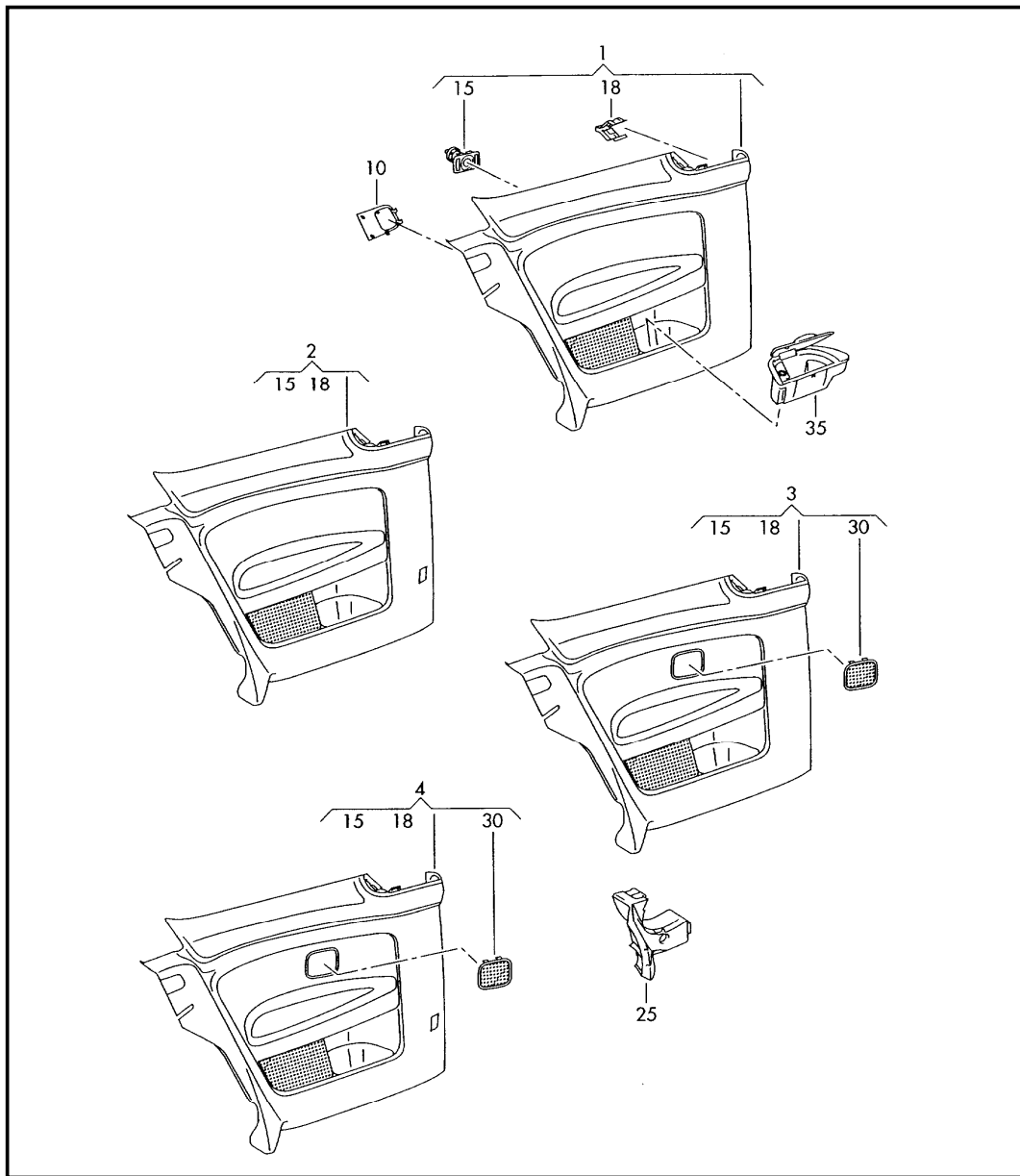
Model	Year	MG	SG	Illustration	Restrictions	UPD	22:07	04.12.2006		ETKA
GO	2007	8	67	867-40	Rabbit/GTI	597	USA			

Pos	Part Number	Name	Remarks	Qty	Model	Pos	Part Number	Name	Remarks	Qty	Model
-	6Q0 898 243	1 set of securing parts door and side trim panel		1			06/05-06/067R3	beige	-JU, KJ, TH, VU		
20	1K4 868 145	insert for stowage box	left rear	1	PR-3YR		06/05-06/0675R	anthracite	-GB, GC, HA, HB, HE, IG, IK, JB, JS, KG, KK, KL, RS, RT, RZ, TG, TK, TS, VT, WT, XF, YG, ZS, ZT, 28, 29, IR		
	06/05-03/063U6	art gray	-HC, HD, JT, KH								
	06/05-03/067G8	beige	-JU, KJ, TH, VU								
	06/05-03/0671N	anthracite	-GB, GC, HA, HB, HE, IG, IK, JB, JS, KG, KK, KL, RS, RT, RZ, TG, TK, TS, VT, WT, XF, YG, ZS, ZT, 28, 29, IR			(41)	1K0 868 188 F	grab handle for vehicles with electrically operated windows	right rear 4-door rear	1	PR-4R4
							06/05-06/063Z7	art gray	-HC, HD, JT, KH		
(20)	1K4 868 146	insert for stowage box	right rear	1	PR-3YR+9JA		06/05-06/067R3	beige	-JU, KJ, TH, VU		
	06/05-03/063U6	art gray	-HC, HD, JT, KH				06/05-06/0675R	anthracite	-GB, GC, HA, HB, HE, IG, IK, JB, JS, KG, KK, KL, RS, RT, RZ, TG, TK, TS, VT, WT, XF, YG, ZS, ZT, 28, 29, IR		
	06/05-03/067G8	beige	-JU, KJ, TH, VU								
	06/05-03/0671N	anthracite	-GB, GC, HA, HB, HE, IG, IK, JB, JS, KG, KK, KL, RS, RT, RZ, TG, TK, TS, VT, WT, XF, YG, ZS, ZT, 28, 29, IR			45	1K4 868 055 A	cover	left rear 4-door	1	
							06/05-06/063Z7	art gray	-HC, HD, JT, KH		
30	1K4 867 449	decorative molding	left rear	1	PR-5MA		06/05-06/067R3	beige	-JU, KJ, TH, VU		
	02/06 3AT	anthracite	-HA, JS, JT, KG, KH, KJ, TG, TH,				06/05-06/0675R	anthracite	-GB, GC, HA, HB, HE, IG, IK, JB, JS, KG, KK, KL, RS, RT, RZ, TG, TK, TS, VT, WT, XF, YG, ZS, ZT, 28, 29, IR		
(30)	1K4 867 450	decorative molding	right rear	1	PR-5MA						
	02/06 3AT	anthracite	-HA, JS, JT, KG, KH, KJ, TG, TH,								
(30)	1K4 867 449 B	decorative molding	left rear	1	PR-5MD+A8H	(45)	1K4 868 056 A	cover	right rear 4-door	1	
	08/05 4J4	aluminium-brushed	-RZ, TH, TK				06/05-06/063Z7	art gray	-HC, HD, JT, KH		
(30)	1K4 867 450 B	decorative molding	right rear	1	PR-5MD+A8H		06/05-06/067R3	beige	-JU, KJ, TH, VU		
	08/05 4J4	aluminium-brushed	-RZ, TH, TK				06/05-06/0675R	anthracite	-GB, GC, HA, HB, HE, IG, IK, JB, JS, KG, KK, KL, RS, RT, RZ, TG, TK, TS, VT, WT, XF, YG, ZS, ZT, 28, 29, IR		
32 +	4A0 853 107	clip		12	PR-5MA, 5MD, 5MG, 5MJ, 5MU						
41	1K0 868 187 F	grab handle for vehicles with electrically operated windows	left rear 4-door rear	1	PR-4R4						
	06/05-06/063Z7	art gray	-HC, HD, JT, KH			48	N 907 760 01	clamp	E3, 2X10, 1X12, 7	3	


Model	Year	MG	SG	Illustration	Restrictions	UPD	22:07	04.12.2006		ETKA
GO	2007	8	67	867-40	Rabbit/GTI	597	USA			

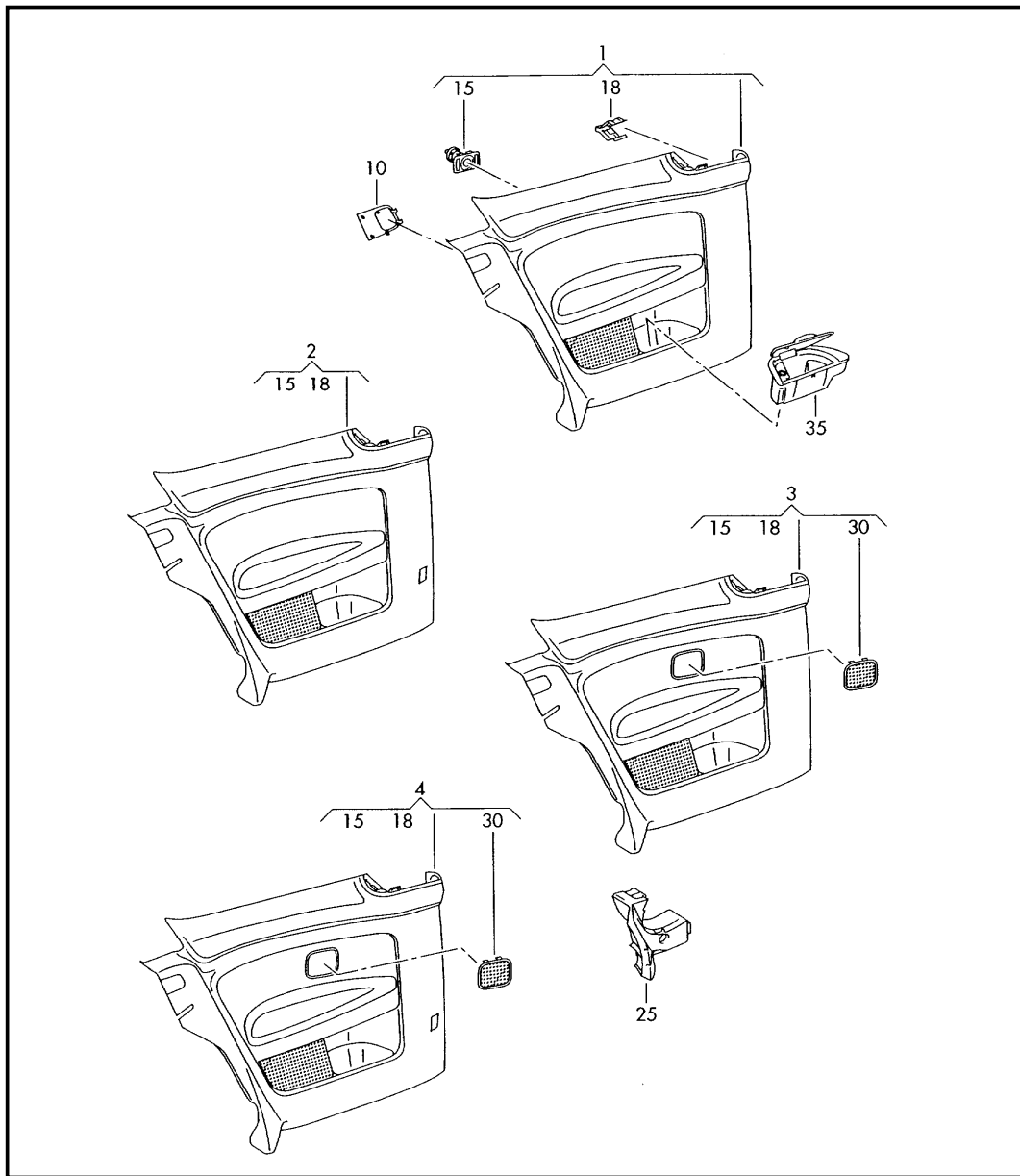
Pos	Part Number	Name	Remarks	Qty	Model	Pos	Part Number	Name	Remarks	Qty	Model
49	N 909 868 01	innensechsrund-blechschraube	ST4,2X13-R	5							
53	1K6 868 695	impact padding	left	1							
(53)	1K6 868 696	impact padding	right	1							
55		mid-treble speaker see illustration:	867-20								

Model	Year	MG	SG	Illustration	Restrictions	UPD	22:07	04.12.2006		ETKA
GO	2007	8	67	867-50	Rabbit/GTI	597	USA			




Pos	Part Number	Name	Remarks	Qty	Model
		side trim panel loudspeaker tweeter F >> 1K-6-800 000	rear		
4	1K3 867 043 BQ	side trim panel (cloth)	left	1	PR-4AF
	02/06-05/06TRN	titan black /anthrazit	-HA,RZ		
(4)	1K3 867 044 EL	side trim panel (cloth)	right	1	PR-4AF
	02/06-05/06TRN	titan black /anthrazit	-HA,RZ		
(4)	1K3 867 043 CJ	side trim panel (leatherette)	left	1	PR-3LJ
	02/06-05/06TSA	titan black /anthrazit	-TK		
(4)	1K3 867 044 FS	side trim panel (leatherette) w/o ashtry mount	right	1	PR-3LJ
	02/06-05/06TSA	titan black /anthrazit	-TK		
		single parts F >> 1K-6-400 000			
10	1K0 867 443	cap	left rear	1	
	06/05-05/0671N	anthracite	-HA,HB,HE,IG, JS,KG,KK,KL, RZ,TG,TK,VT, WT,RS,RT,IK, 28,29		
(10)	1K0 867 444	cap	right rear	1	
	06/05-05/0671N	anthracite	-HA,HB,HE,IG, JS,KG,KK,KL, RZ,TG,TK,VT, WT,RS,RT,IK, 28,29		
(15) +	6Q0 868 243	clip		12	
18	1J0 858 137 A	clamp		2	
25	1K3 868 301 A	impact padding	left lower	1	PR-4K0
(25)	1K3 868 302 A	impact padding	right lower	1	PR-4K0
30		loudspeaker mid-treble speaker see illustration:	867-20		PR-8RM, 8RW, 9VG, 9VJ
35		ashtray see illustration:	857-30		


Model	Year	MG	SG	Illustration	Restrictions	UPD	22:07	04.12.2006		ETKA
GO	2007	8	67	867-51	Rabbit/GTI	597	USA			

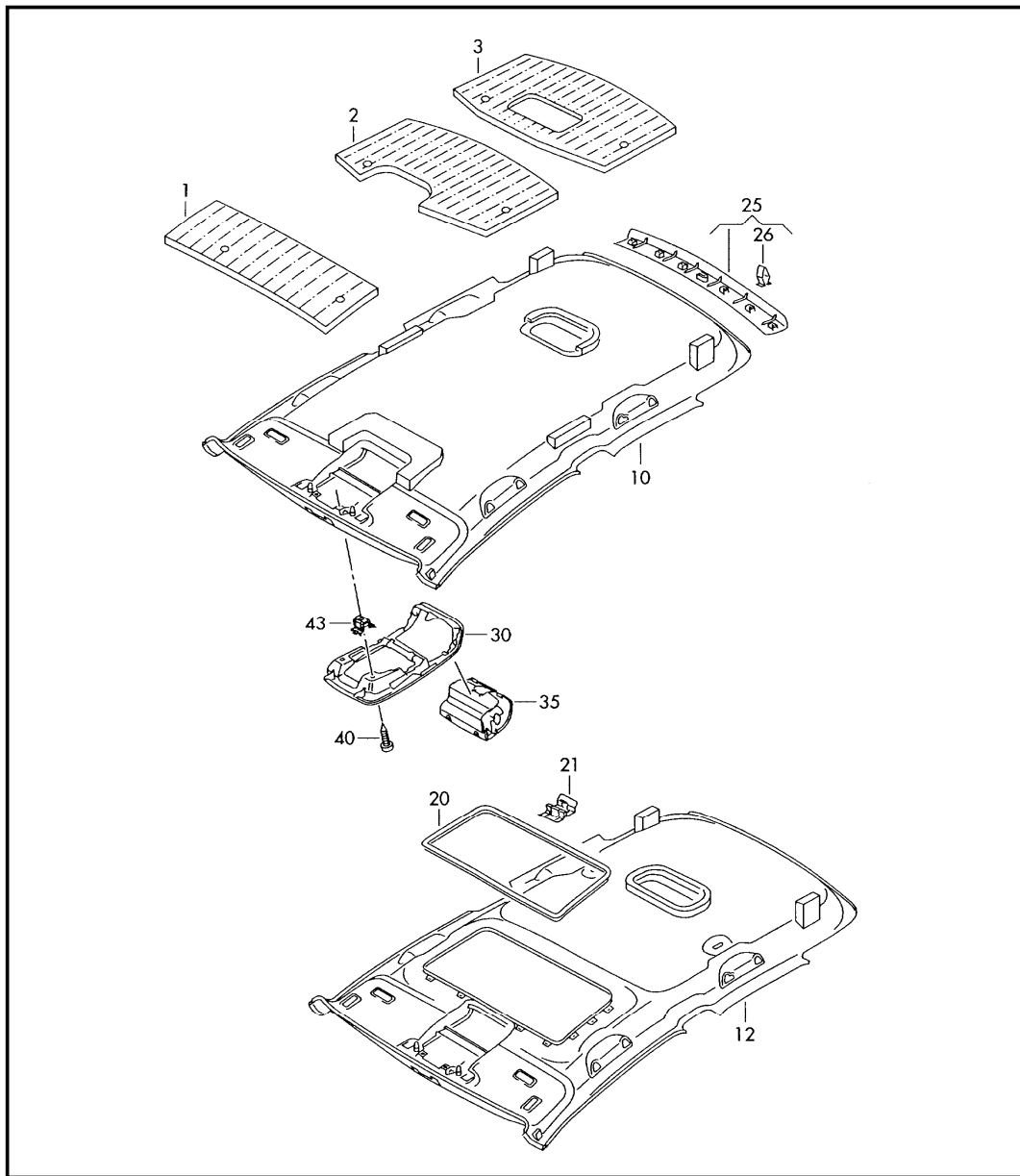


Pos	Part Number	Name	Remarks	Qty	Model
		side trim panel loudspeaker tweeter F 1K-7-000 001>>	rear		
4	1K3 867 043 BQ	side trim panel (cloth)	left	1	PR-4AF
	06/06 TRN	titan black /anthrazit	-HA,RZ		
(4)	1K3 867 044 EL	side trim panel (cloth)	right	1	PR-4AF
	06/06 TRN	titan black /anthrazit	-HA,RZ		
(4)	1K3 867 043 CJ	side trim panel (leatherette)	left	1	PR-3LJ
	06/06 TSA	titan black /anthrazit	-TK		
(4)	1K3 867 044 FS	side trim panel (leatherette) w/o ashtry mount	right	1	PR-3LJ
	06/06 TSA	titan black /anthrazit	-TK		
		single parts F 1K-7-000 001>>			
10	1K0 867 443	cap	left rear	1	
	06/06 71N	anthracite	-GB,GC,HA,HB, HE,IG,IK,JB, JS,KG,RS,RT, RZ,TG,TK,TS, VT,WT,XF,YG, ZS,ZT,28,29, IR		
(10)	1K0 867 444	cap	right rear	1	
	06/06 71N	anthracite	-GB,GC,HA,HB, HE,IG,IK,JB, JS,KG,RS,RT, RZ,TG,TK,TS, VT,WT,XF,YG, ZS,ZT,28,29, IR		
(15) +	6Q0 868 243	clip		12	
18	1J0 858 137 A	clamp		2	
25	1K3 868 301 B	impact padding	left lower	1	PR-4K0
(25)	1K3 868 302 B	impact padding	right lower	1	PR-4K0
30		loudspeaker mid-treble speaker see illustration:	867-20		PR-8RM, 8RW, 9VG, 9VJ


Model	Year	MG	SG	Illustration	Restrictions	UPD	22:07	04.12.2006		ETKA
GO	2007	8	67	867-51	Rabbit/GTI	597	USA			

Pos	Part Number	Name	Remarks	Qty	Model	Pos	Part Number	Name	Remarks	Qty	Model
35		ashtray see illustration:	857-30								


Model	Year	MG	SG	Illustration	Restrictions	UPD	22:07	04.12.2006		ETKA
GO	2007	8	67	867-55	Rabbit/GTI	597	USA			

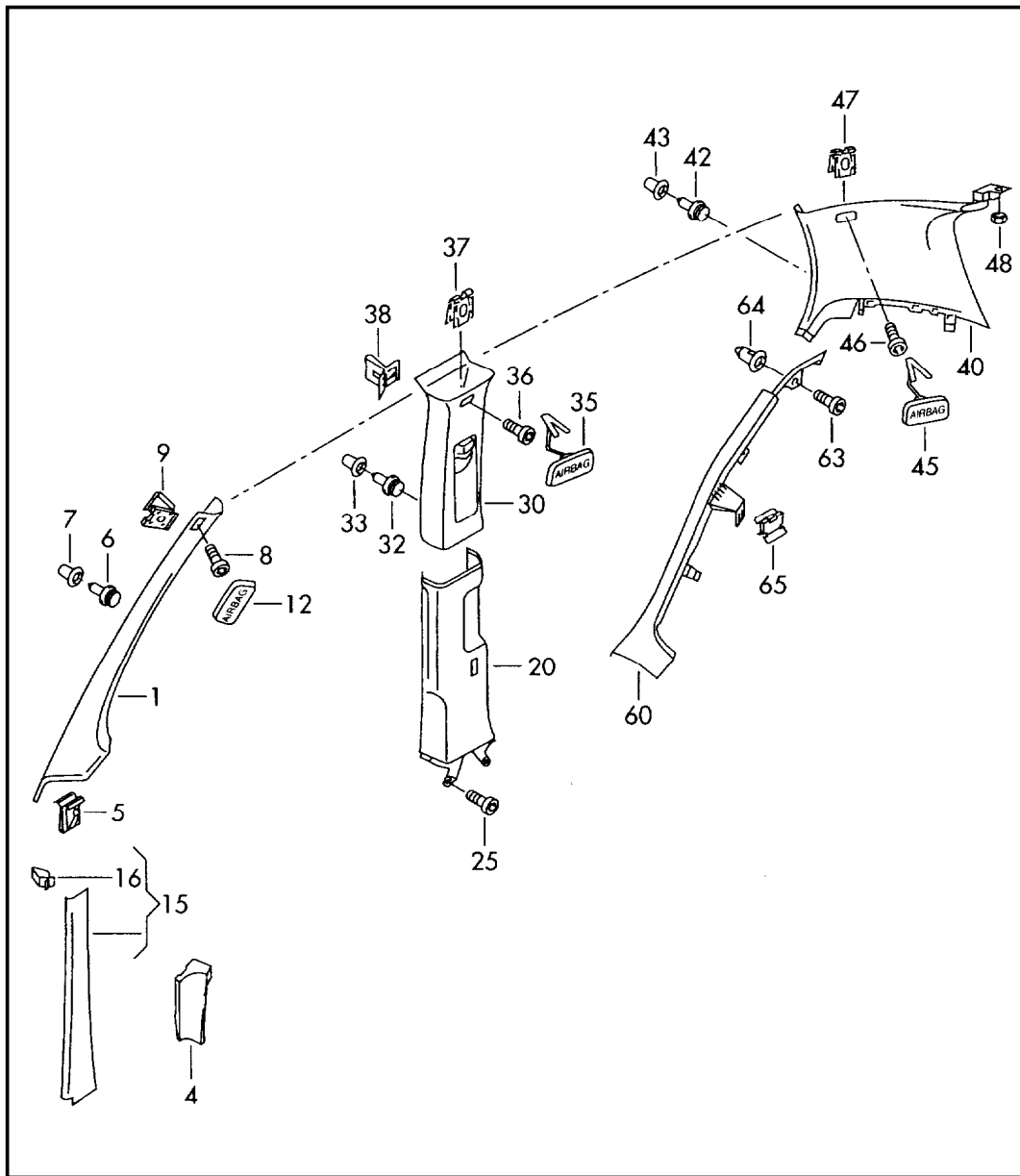


Pos	Part Number	Name	Remarks	Qty	Model
		headlining			sedan
(1)	1K0 867 811 F	sound absorber for roof for vehicles without sliding roof	front	1	PR-3FA
2	1K0 867 811 D	sound absorber for roof for vehicles without sliding roof	rear	1	PR-3FA
3	1K0 867 811 E	sound absorber for roof for vehicles with sliding roof	rear	1	PR-3FE
-	D 190 MKD A3	1-pack adhesive	310ML	1	
(10)	1K3 867 502	moulded headlining for vehicles with illuminated make-up mirror	2 doors	1	PR-3FA
	02/06 DD9	anthracite	-RZ, TK		
	02/06-06/063U5	beige	-JU		
	02/06 6K8	pearl grey	-HA, JS, JT		
(10)	1K4 867 502	moulded headlining	4-door	1	PR-3FA
	02/06 DD9	anthracite	-RZ, TK		
	02/06-06/063U5	beige	-JU		
	02/06 6K8	pearl grey	-HA, JS, JT		
(12)	1K3 867 502 A	moulded headlining for vehicles with sliding roof	2 doors	1	PR-3FE
	02/06 DD9	anthracite	-RZ, TK		
	02/06-06/063U5	beige	-JU		
	02/06 6K8	pearl grey	-HA, JS, JT		
(12)	1K4 867 502 A	moulded headlining for vehicles with sliding roof	4-door	1	PR-3FE
	02/06 DD9	anthracite	-RZ, TK		
	02/06-06/063U5	beige	-JU		
	02/06 6K8	pearl grey	-HA, JS, JT		
		single parts			
20	1T0 867 525	clamping strip for vehicles with sliding roof		1	PR-3FE


Model	Year	MG	SG	Illustration	Restrictions	UPD	22:07	04.12.2006		ETKA
GO	2007	8	67	867-55	Rabbit/GTI	597	USA			

Pos	Part Number	Name	Remarks	Qty	Model	Pos	Part Number	Name	Remarks	Qty	Model
21	6X0 867 549	clip		15	PR-3FE	(35)	1K0 868 837 D	shelf		1	PR-3FA+4SB
-	3B0 868 829	reinforcement make-up light		1			06/05 Y20	pearl grey	-HA, HB, HC, HD, HE		
-	1K0 867 227	cover for reading light		1		40	N 908 265 03	innensechsrund-blechschaube	4X16-Q	2	
(25)	1K6 867 617 B	connecting strip		1		43	1K0 867 633	clamp F >> 1K-6-190 000*		4	
	06/05 DD9	anthracite	-RS, RT, RZ, TK			43	5N0 867 633	clamp F 1K-6-190 001>>*		4	
(25)	1K6 867 617 C	connecting strip		1							
	06/05-06/063U5	beige	-JU, KJ, TH, VU								
	06/05 6K8	pearl grey	-HA, HB, HC, HD, HE, JS, JT, KG, KH, KK, KL, TG, VT, 28, 29								
26	4A0 867 276	clamp connecting strip	22, 3	7							
30	1K0 867 489 C	frame		1							
	06/05 71N	anthracite	-IG, IK, RZ, TK								
	06/05 Y20	pearl grey	-HA, HB, HC, HD, HE, HQ, HR, JS, JT, KG, KH, KK, KL, KU, KV, MQ, MR, RS, RT, TG, TM, UL, UM, VT, WT, 28, 29								
	06/05-06/067G8	beige	-HS, JU, KJ, KW, MU, TH, TN, UN, VU								
35	1K0 868 837 C	shelf sunglass holder		1	PR-4SD, 4SF, 4SG, 4SH						
	06/05 Y20	pearl grey	-HA, HB, HC, HD, HE, HQ, HR, JS, JT, KG, KH, KK, KL, KU, KV, MQ, MR, RS, RT, TG, TM, UL, UM, VT, WT, 28, 29								
	06/05-06/067G8	beige	-HS, JU, KJ, KW, MU, TH, TN, UN, VU								
	06/05 71N	anthracite	-IG, IK, RZ, TK								


Model	Year	MG	SG	Illustration	Restrictions	UPD	22:07	04.12.2006		ETKA
GO	2007	8	67	867-65	Rabbit/GTI	597	USA			




Pos	Part Number	Name	Remarks	Qty	Model
		pillar linings			
(1)	1K0 867 233 C 06/05-06/05DD9	lining, pillar a anthracite	left upper -IG,RZ,TK,IK	1	
(1)	1K0 867 233 E 06/05-05/063U5 06/05-05/066K8	lining, pillar a beige pearl grey	left upper -JU,KJ,TH,VU -GB,GC,HA,HB, HC,HD,HE,JB, JS,JT,KG,KH, KK,RS,RT,TG, TS,VT,WT,XF, XL,YG,ZS,ZT, 28,29	1	
		07/05-05/06DD9	anthracite		-IG,RZ,TK,IK,
(1)	1K0 867 233 F 06/06-11/063U5 06/06 6K8	lining, pillar a beige pearl grey	left upper -JU,KJ,TH,VU -GB,GC,HA,HB, HC,HD,HE,JB, JS,JT,KG,KH, KK,RS,RT,TG, TS,VT,WT,XF, XL,YG,ZS,ZT, 28,29	1	
		06/06 DD9	anthracite		-IG,RZ,TK,IK,
1	1K0 867 234 C 06/05-06/05DD9	lining, pillar a anthracite	right upper -IG,RZ,TK,IK	1	
1	1K0 867 234 E 06/05-05/063U5 06/05-05/066K8	lining, pillar a beige pearl grey	right upper -JU,KJ,TH,VU -GB,GC,HA,HB, HC,HD,HE,JB, JS,JT,KG,KH, KK,RS,RT,TG, TS,VT,WT,XF, XL,YG,ZS,ZT, 28,29	1	
		07/05-05/06DD9	anthracite		-IG,RZ,TK,IK,
1	1K0 867 234 F 06/06-11/063U5	lining, pillar a beige	right upper -JU,KJ,TH,VU	1	

Model	Year	MG	SG	Illustration	Restrictions	UPD	22:07	04.12.2006		ETKA
GO	2007	8	67	867-65	Rabbit/GTI	597	USA			


Pos	Part Number	Name	Remarks	Qty	Model	Pos	Part Number	Name	Remarks	Qty	Model
	06/06 6K8	pearl grey	-GB,GC,HA,HB, HC,HD,HE,JB, JS,JT,KG,KH, KK,RS,RT,TG, TS,VT,WT,XF, XL,YG,ZS,ZT, 28,29				06/05 71N	anthracite	-GB,GC,HA,HB, HE,IG,IK,JB, JS,KG,KK,KL, RS,RT,RZ,TG, TK,TS,VT,WT, XF,YG,ZS,ZT, 28,29,IR		
	06/06 DD9	anthracite	-IG,RZ,TK,IK,			15	1K0 868 224	lining, pillar a	right, center	1	
5	3B0 858 137	spring clip		2			06/05 3U6	art gray	-HC,HD,JT,KH		
6	+ 3B0 867 333	clip		6			06/05-11/067G8	beige	-JU,KJ,TH,VU		
7	3B0 867 334	grommet		6			06/05 71N	anthracite	-GB,GC,HA,HB, HE,IG,IK,JB, JS,KG,KK,KL, RS,RT,RZ,TG, TK,TS,VT,WT, XF,YG,ZS,ZT, 28,29,IR		
8	N 104 301 01	innensechsrund-linsenschraube	M5X16-CH	2							
9	1K0 867 207	clip		2							
12	1K0 853 437 A	trim with emblem		2							
	06/05-05/0671N	anthracite	-IG,RZ,TK,IK, IR			16	4A0 867 276 B	clamp		2	
	06/05-05/06Y20	pearl grey	-GB,GC,HA,HB, HC,HD,HE,JB, JS,JT,KG,KH, KK,RS,RT,TG, TS,VT,WT,XF, XL,YG,ZS,ZT, 28,29			(20)	1K4 867 297 F	lining, pillar b	left lower 4-door	1	PR-7AG
	06/05-05/067G8	beige	-JU,KJ,TH,VU				06/05 3U6	art gray	-HC,HD,JT,KH		
12	1K0 853 437 B	trim with emblem		2			06/05-11/067G8	beige	-JU,KJ,TH,VU		
	06/06 71N	anthracite	-IG,RZ,TK,IK, IR			(20)	1K4 867 298 F	lining, pillar b	right lower 4-door	1	PR-7AG
	06/06 Y20	pearl grey	-GB,GC,HA,HB, HC,HD,HE,JB, JS,JT,KG,KH, KK,RS,RT,TG, TS,VT,WT,XF, XL,YG,ZS,ZT, 28,29				06/05 3U6	art gray	-HC,HD,JT,KH		
	06/06-11/067G8	beige	-JU,KJ,TH,VU				06/05-11/067G8	beige	-JU,KJ,TH,VU		
(15)	1K0 868 223	lining, pillar a	left, center	1			06/05 71N	anthracite	-GB,GC,HA,HB, HE,IG,IK,JB, JS,KG,KK,KL, RS,RT,RZ,TG, TK,TS,VT,WT, XF,YG,ZS,ZT, 28,29,IR		
	06/05 3U6	art gray	-HC,HD,JT,KH								
	06/05-11/067G8	beige	-JU,KJ,TH,VU			25	N 104 301 01	innensechsrund-linsenschraube	M5X16-CH	4	

Model	Year	MG	SG	Illustration	Restrictions	UPD	22:07	04.12.2006		ETKA
GO	2007	8	67	867-65	Rabbit/GTI	597	USA			


Pos	Part Number	Name	Remarks	Qty	Model	Pos	Part Number	Name	Remarks	Qty	Model
30	1K3 867 243 J	lining, pillar b	left upper 2 doors	1			06/05-05/0671N	anthracite	-IG,RZ,TK,IK, IR		
	11/05 DD9	anthracite	-IG,RZ,TK,IK, IR				06/05-05/06Y20	pearl grey	-GB,GC,HA,HB, HC,HD,HE,JB, JS,JT,KG,KH, KK,RS,RT,TG, TS,VT,WT,XF, XL,YG,ZS,ZT, 28,29		
	11/05-11/063U5	beige	-JU,KJ,TH,VU								
	11/05 6K8	pearl grey	-GB,GC,HA,HB, HC,HD,HE,JB, JS,JT,KG,KH, KK,RS,RT,TG, TS,VT,WT,XF, XL,YG,ZS,ZT, 28,29				06/05-05/067G8	beige	-JU,KJ,TH,VU		
(30)	1K3 867 244 J	lining, pillar b	right upper 2 doors	1		35	1K0 853 437 B	trim with emblem		2	
	11/05 DD9	anthracite	-IG,RZ,TK,IK, IR				06/06 71N	anthracite	-IG,RZ,TK,IK, IR		
	11/05-11/063U5	beige	-JU,KJ,TH,VU				06/06 Y20	pearl grey	-GB,GC,HA,HB, HC,HD,HE,JB, JS,JT,KG,KH, KK,RS,RT,TG, TS,VT,WT,XF, XL,YG,ZS,ZT, 28,29		
	11/05 6K8	pearl grey	-GB,GC,HA,HB, HC,HD,HE,JB, JS,JT,KG,KH, KK,RS,RT,TG, TS,VT,WT,XF, XL,YG,ZS,ZT, 28,29								
(30)	1K4 867 243 M	lining, pillar b	left upper 4-door	1	PR-5C1	36	N 104 301 01	innensechsrund-linsenschraube	M5X16-CH	2	
	02/06 DD9	anthracite	-RZ,TK			37	1K0 880 288	clamp		2	
	02/06-06/063U5	beige	-JU			38	1K0 867 283	clamp	2 doors	6	
	02/06 6K8	pearl grey	-HA,JS,JT			40	1K3 867 287 A	lining, pillar c	left upper 2 doors	1	
(30)	1K4 867 244 M	lining, pillar b	right upper 4-door	1	PR-5C1		06/05 DD9	anthracite	-IG,RZ,TK,IK, IR		
	02/06 DD9	anthracite	-RZ,TK			40	1K3 867 287 C	lining, pillar c	left upper 2 doors	1	
	02/06-06/063U5	beige	-JU				06/05 6K8	pearl grey	-GB,GC,HA,HB, HC,HD,HE,JB, JS,JT,KG,KH, KK,RS,RT,TG, TS,VT,WT,XF, XL,YG,ZS,ZT, 28,29		
	02/06 6K8	pearl grey	-HA,JS,JT			(40)	1K3 867 288 A	lining, pillar c	right upper 2 doors	1	
32 +	3B0 867 333	clip		2			06/05 DD9	anthracite	-IG,RZ,TK,IK, IR		
33	3B0 867 334	grommet		2		(40)	1K3 867 288 C	lining, pillar c	right upper 2 doors	1	
35	1K0 853 437 A	trim with emblem		2							

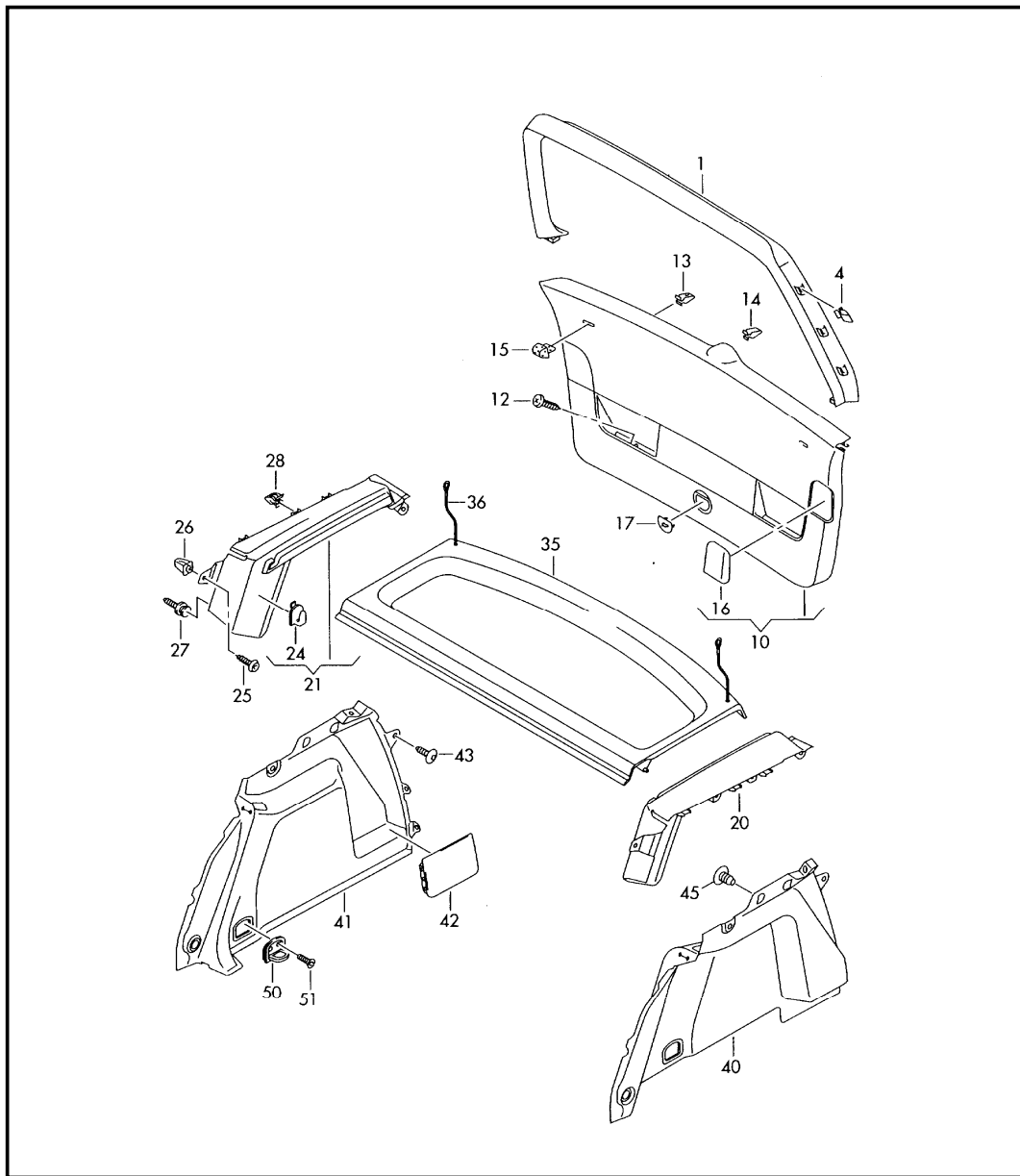
Model	Year	MG	SG	Illustration	Restrictions	UPD	22:07	04.12.2006		ETKA
GO	2007	8	67	867-65	Rabbit/GTI	597	USA			

Pos	Part Number	Name	Remarks	Qty	Model	Pos	Part Number	Name	Remarks	Qty	Model
	06/05 6K8	pearl grey	-GB,GC,HA,HB, HC,HD,HE,JB, JS,JT,KG,KH, KK,RS,RT,TG, TS,VT,WT,XF, XL,YG,ZS,ZT, 28,29				06/05-05/06Y20	pearl grey	-GB,GC,HA,HB, HC,HD,HE,JB, JS,JT,KG,KH, KK,RS,RT,TG, TS,VT,WT,XF, XL,YG,ZS,ZT, 28,29		
(40)	1K4 867 287 B	lining, pillar c	left upper 4-door	1			06/05-05/067G8	beige	-JU,KJ,TH,VU		
	06/05 DD9	anthracite	-IG,RZ,TK,IK, IR			45	1K0 853 437 B	trim with emblem		2	
(40)	1K4 867 287 C	lining, pillar c	left upper 4-door	1			06/06 71N	anthracite	-IG,RZ,TK,IK, IR		
	06/05-11/063U5	beige	-JU,KJ,TH,VU				06/06 Y20	pearl grey	-GB,GC,HA,HB, HC,HD,HE,JB, JS,JT,KG,KH, KK,RS,RT,TG, TS,VT,WT,XF, XL,YG,ZS,ZT, 28,29		
	06/05 6K8	pearl grey	-GB,GC,HA,HB, HC,HD,HE,JB, JS,JT,KG,KH, KK,RS,RT,TG, TS,VT,WT,XF, XL,YG,ZS,ZT, 28,29			46	N 104 301 01	innensechsrund-linsenschraube	M5X16-CH	2	
(40)	1K4 867 288 B	lining, pillar c	right upper 4-door	1		47	1K0 880 288	clamp		2	
	06/05 DD9	anthracite	-IG,RZ,TK,IK, IR			48	N 011 116 5	hex. nut	BM6	2	
(40)	1K4 867 288 C	lining, pillar c	right upper 4-door	1		60	1K4 867 765 A	trim - wheel housing	left 4-door	1	PR-4X4,6C1
	06/05-11/063U5	beige	-JU,KJ,TH,VU				06/05 3U6	art gray	-HC,HD,JT,KH		
	06/05 6K8	pearl grey	-GB,GC,HA,HB, HC,HD,HE,JB, JS,JT,KG,KH, KK,RS,RT,TG, TS,VT,WT,XF, XL,YG,ZS,ZT, 28,29				06/05-11/067G8	beige	-JU,KJ,TH,VU		
							06/05 71N	anthracite	-GB,GC,HA,HB, HE,IG,IK,JB, JS,KG,KK,KL, RS,RT,RZ,TG, TK,TS,VT,WT, XF,YG,ZS,ZT, 28,29,IR		
42	+ 3B0 867 333	clip		6		(60)	1K4 867 766 A	trim - wheel housing	right 4-door	1	PR-4X4,6C1
43	3B0 867 334	grommet		6			06/05 3U6	art gray	-HC,HD,JT,KH		
45	1K0 853 437 A	trim with emblem		2			06/05-11/067G8	beige	-JU,KJ,TH,VU		
	06/05-05/0671N	anthracite	-IG,RZ,TK,IK, IR								


Model	Year	MG	SG	Illustration	Restrictions	UPD	22:07	04.12.2006		ETKA
GO	2007	8	67	867-65	Rabbit/GTI	597	USA			

Pos	Part Number	Name	Remarks	Qty	Model	Pos	Part Number	Name	Remarks	Qty	Model
	06/05 71N	anthracite	-GB, GC, HA, HB, HE, IG, IK, JB, JS, KG, KK, KL, RS, RT, RZ, TG, TK, TS, VT, WT, XF, YG, ZS, ZT, 28, 29, IR			65	1H0 853 577	clamp		2	
(60)	1K4 867 765 C	trim - wheel housing	left 4-door	1	PR-4X3,6C0						
	07/05-01/0671N	anthracite	-HA, HB, HE, IG, IK, JS, KG, KK, KL, RS, RT, TG, TK, VT, WT								
(60)	1K4 867 765 D	trim - wheel housing	left 4-door	1	PR-4X3,6C0						
	01/06 3U6	art gray	-HC, HD, JT, KH								
	01/06-11/067G8	beige	-JU, KJ, TH, VU,								
	01/06 71N	anthracite	-GB, GC, HA, HB, HE, IG, IK, JB, JS, KG, KK, KL, RS, RT, RZ, TG, TK, TS, VT, WT, XF, YG, ZS, ZT, 28, 29, IR								
(60)	1K4 867 766 C	trim - wheel housing	right 4-door	1	PR-4X3,6C0						
	07/05-01/0671N	anthracite	-HA, HB, HE, IG, IK, JS, KG, KK, KL, RS, RT, TG, TK, VT, WT								
(60)	1K4 867 766 D	trim - wheel housing	right 4-door	1	PR-4X3,6C0						
	01/06 3U6	art gray	-HC, HD, JT, KH								
	01/06-11/067G8	beige	-JU, KJ, TH, VU,								
	01/06 71N	anthracite	-GB, GC, HA, HB, HE, IG, IK, JB, JS, KG, KK, KL, RS, RT, RZ, TG, TK, TS, VT, WT, XF, YG, ZS, ZT, 28, 29, IR								
63	+ N 907 750 01	innensechsrund-blechschaube	4,8X16	4							
64	N 105 412 01	expanding nut	5X15	4							


Model	Year	MG	SG	Illustration	Restrictions	UPD	22:08	04.12.2006		ETKA
GO	2007	8	67	867-80	Rabbit/GTI	597	USA			




Pos	Part Number	Name	Remarks	Qty	Model
		trim panel for hatch gate folding cover for boot boot lining			
1	1K6 867 603 G	trim panel for hatch gate	upper	1	
	06/05 Y20	pearl grey	-GB, GC, HA, HB, HC, HD, HE, JB, JS, JT, KG, KH, KK, RS, RT, TG, TS, VT, WT, XF, XL, YG, ZS, ZT, 28, 29		
	06/05-11/067G8	beige	-JU, KJ, TH, VU		
	06/05 71N	anthracite	-IG, RZ, TK, IK, IR		
4	4A0 867 276 B	clamp		11	
10	1K6 867 601 C	trim panel for hatch gate	lower	1	
	06/05-02/063U6	art gray	-HC, HD, JT, KH		
(10)	1K6 867 601 D	trim panel for hatch gate	lower	1	
	06/05-02/067G8	beige	-JU, KJ, TH, VU		
	06/05-02/0671N	anthracite	-GB, GC, HA, HB, HE, IG, IK, JB, JS, KG, KK, KL, RS, RT, RZ, TG, TK, TS, VT, WT, XF, YG, ZS, ZT, 28, 29, IR		
(10)	1K6 867 601 E	trim panel for hatch gate	lower	1	
	03/06 3U6	art gray	-HC, HD, JT, KH		
	03/06-11/067G8	beige	-JU, KJ, TH, VU		
	03/06 71N	anthracite	-GB, GC, HA, HB, HE, IG, IK, JB, JS, KG, KK, KL, RS, RT, RZ, TG, TK, TS, VT, WT, XF, YG, ZS, ZT, 28, 29, IR		
12	N 902 776 02	tapping screw	ST4, 2X17	2	
	06/05 02S	off-black			
13	1J6 867 276	clip		12	

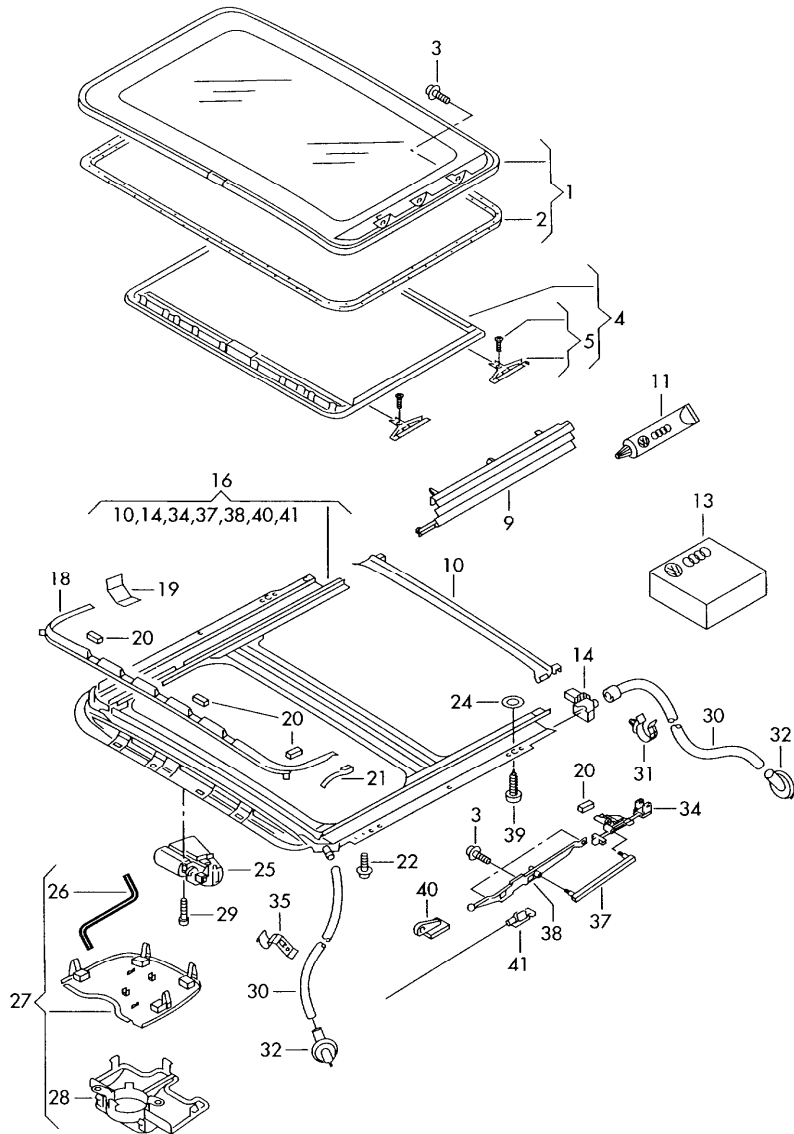
Model	Year	MG	SG	Illustration	Restrictions	UPD	22:08	04.12.2006		ETKA
GO	2007	8	67	867-80	Rabbit/GTI	597	USA			

Pos	Part Number	Name	Remarks	Qty	Model	Pos	Part Number	Name	Remarks	Qty	Model
15	1J6 867 815 A	buffer		2		(20)	1K6 867 761 P	shelf	left	1	PR-A8C, A8F, A8G, A8H, A9R
	06/05 3U6	art gray	-HC, HD, JT, KH				06/05 3U6	art gray	-HC, JT, KH		
	06/05-11/067G8	beige	-JU, KJ, TH, VU				06/05-11/067G8	beige	-JU, KJ, TH, VU		
	06/05 71N	anthracite	-GB, GC, HA, HB, HE, IG, IK, JB, JS, KG, KK, KL, RS, RT, RZ, TG, TK, TS, VT, WT, XF, YG, ZS, ZT, 28, 29, IR				06/05 71N	anthracite	-GB, GC, HA, HB, HE, IG, IK, JB, JS, KG, KK, KL, RS, RT, RZ, TG, TK, TS, VT, WT, XF, XL, YG, ZG, ZS, ZT, 28, 29, IR		
16	1K6 867 657	inspection cover	left	1		(20)	1K6 867 761 P	shelf	left	1	PR-7B2
	06/05 3U6	art gray	-HC, HD, JT, KH				06/05 3U6	art gray	-HC, HD, JT, KH		
	06/05-11/067G8	beige	-JU, KJ, TH, VU				06/05-11/067G8	beige	-JU, KJ, TH, VU		
	06/05 71N	anthracite	-GB, GC, HA, HB, HE, IG, IK, JB, JS, KG, KK, KL, RS, RT, RZ, TG, TK, TS, VT, WT, XF, YG, ZS, ZT, 28, 29, IR				06/05 71N	anthracite	-GB, GC, HA, HB, HE, IG, IK, JB, JS, KG, KK, KL, RS, RT, RZ, TG, TK, TS, VT, WT, XF, XL, YG, ZG, ZS, ZT, 28, 29, IR	1	
(16)	1K6 867 658	inspection cover	right	1		(21)	1K6 867 762 T	shelf	right	1	PR-A8C, A8F, A8G, A8H, A9R
	06/05 3U6	art gray	-HC, HD, JT, KH				06/05 3U6	art gray	-JT, KH		
	06/05-11/067G8	beige	-JU, KJ, TH, VU				06/05-11/067G8	beige	-JU, KJ, TH, VU		
	06/05 71N	anthracite	-GB, GC, HA, HB, HE, IG, IK, JB, JS, KG, KK, KL, RS, RT, RZ, TG, TK, TS, VT, WT, XF, YG, ZS, ZT, 28, 29, IR				06/05 71N	anthracite	-GB, GC, HA, HB, HE, IG, IK, JB, JS, KG, KK, KL, RS, RT, RZ, TG, TK, TS, VT, WT, XF, XL, YG, ZG, ZS, ZT, 28, 29, IR		
17	1K6 867 747	cover emergency release	center	1		(21)	1K6 867 762 T	shelf	right	1	PR-7B2, 7B5
	06/05 3U6	art gray	-HC, HD, JT, KH				06/05 3U6	art gray	-HC, HD, JT, KH		
	06/05-11/067G8	beige	-JU, KJ, TH, VU				06/05-11/067G8	beige	-JU, KJ, TH, VU		
	06/05 71N	anthracite	-GB, GC, HA, HB, HE, IG, IK, JB, JS, KG, KK, KL, RS, RT, RZ, TG, TK, TS, VT, WT, XF, YG, ZS, ZT, 28, 29, IR								


Model	Year	MG	SG	Illustration	Restrictions	UPD	22:08	04.12.2006		ETKA
GO	2007	8	67	867-80	Rabbit/GTI	597	USA			

Pos	Part Number	Name	Remarks	Qty	Model	Pos	Part Number	Name	Remarks	Qty	Model
	06/05 71N	anthracite	-GB, GC, HA, HB, HE, IG, IK, JB, JS, KG, KK, KL, RS, RT, RZ, TG, TK, TS, VT, WT, XF, XL, YG, ZG, ZS, ZT, 28, 29, IR			(41)	1K6 867 428 P	boot lining contains additional positions:	right 42	1	front drive+ PR-1G2,1G3+ 5A7
							06/05 1BS	anthracite			
						(41)	1K6 867 428 P	boot lining contains additional positions:	right 42	1	PR-1G1
24	1K0 867 835	hook		2	PR-7B2		06/05 1BS	anthracite			
	06/05 9B9	satin black				42	1K6 867 461	plug cover	right included in: 1K6 867 428 P (1BS)	1	
25 + N	907 750 01	innensechsrund-blechschraube	4,8X16	4			06/05 71N	anthracite			
26	N 909 946 01	expanding nut	CST4,8X10	4			191 867 199	plug	20/8,5	8	
27	1K0 867 333	clip		6			+ 06/05-11/0501C	satin black			
28		clamp not a spare part for this model				43	191 867 199	plug	20/8,5	4	
35	1K6 867 769 F	cover for luggage compartment		1	PR-3U1		+ 12/05 01C	satin black			
	06/05 HH2	anthracite	-RZ, TK			45	443 863 988	plug	left	1	
	02/06 2BD	grey	-HA, JS, JT			50	1J0 864 203 D	tie-down eye		2	
	02/06-06/063BG	beige	-JU				06/05 2ZZ	chrome			
(35)	1K6 867 769 G	cover for luggage compartment for vehicles with luggage net		1	PR-3U3,3U4	51	N 104 485 03	innensechsrund-senkschraube	M6X16-F	4	
	06/05 HH2	anthracite									
36	1K6 863 447 A	retaining strap		2							
	06/05 9B9	satin black									
(40)	1K6 867 427 AP	boot lining	left	1	front drive+ PR-1G2,1G3+ 5A7+5C1						
	10/05-10/051BS	anthracite									
(40)	1K6 867 427 AP	boot lining	left	1	PR-1G1						
	10/05-10/051BS	anthracite									
(40)	1K6 867 427 AT	boot lining	left	1	PR-1G1						
	11/05 1BS	anthracite									


Model	Year	MG	SG	Illustration	Restrictions	UPD	22:08	04.12.2006		ETKA
GO	2007	8	77	877-00	Rabbit/GTI	597	USA			

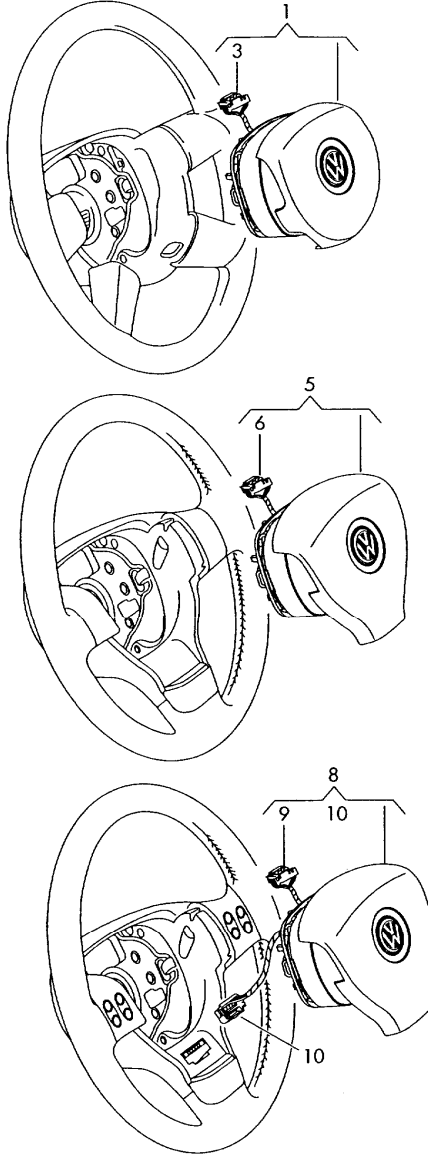



Pos	Part Number	Name	Remarks	Qty	Model
		glass sliding roof	MERITOR		
1	1K6 877 071	glass sliding roof panel		1	
2	8D0 877 297 D	gasket	2425MM	1	
3	6N0 877 721	innensechsrund-zyylinder-schraube (kombi) 'bestelleinheit 4'	M5X16	6	
4	1K0 877 255	frame for sliding roof opening with cover		1	
	06/05-11/05DD9	anthracite	-IG,RZ,TK,IK		
4	1K0 877 255 A	frame for sliding roof opening with cover		1	
	12/05	3U5	beige		-HS, JU, KJ, KW, MU, TH, TN, UN, VU
	12/05	6K8	pearl grey		-HA, HB, HC, HD, HE, HQ, HR, JS, JT, KG, KH, KK, KL, KU, KV, MQ, MR, RS, RT, TG, TM, UL, UM, VT, WT, 28, 29
	12/05	DD9	anthracite		-IG,RZ,TK,IK
(5)	4B0 877 165	guide piece	black	1	
9	8D0 877 781 B	boot	left	1	
	06/05	01C	satin black		
(9)	8D0 877 782 B	boot	right	1	
	06/05	01C	satin black		
10	8D0 877 633 B	rain channel		1	
11	G 000 450 02	grease	90G	X	
13	AKL 450 005 05	butyl adhesive / sealing cord adhesives and sealing compound	5X5000	X	
14	1K0 898 200	1 set of ball end piece	left/right rear	1	
(14)	1K0 898 200 A	1 set caps ball end piece	left a. right rear	1	
16	1K6 877 049	frame with operating mechanism		1	

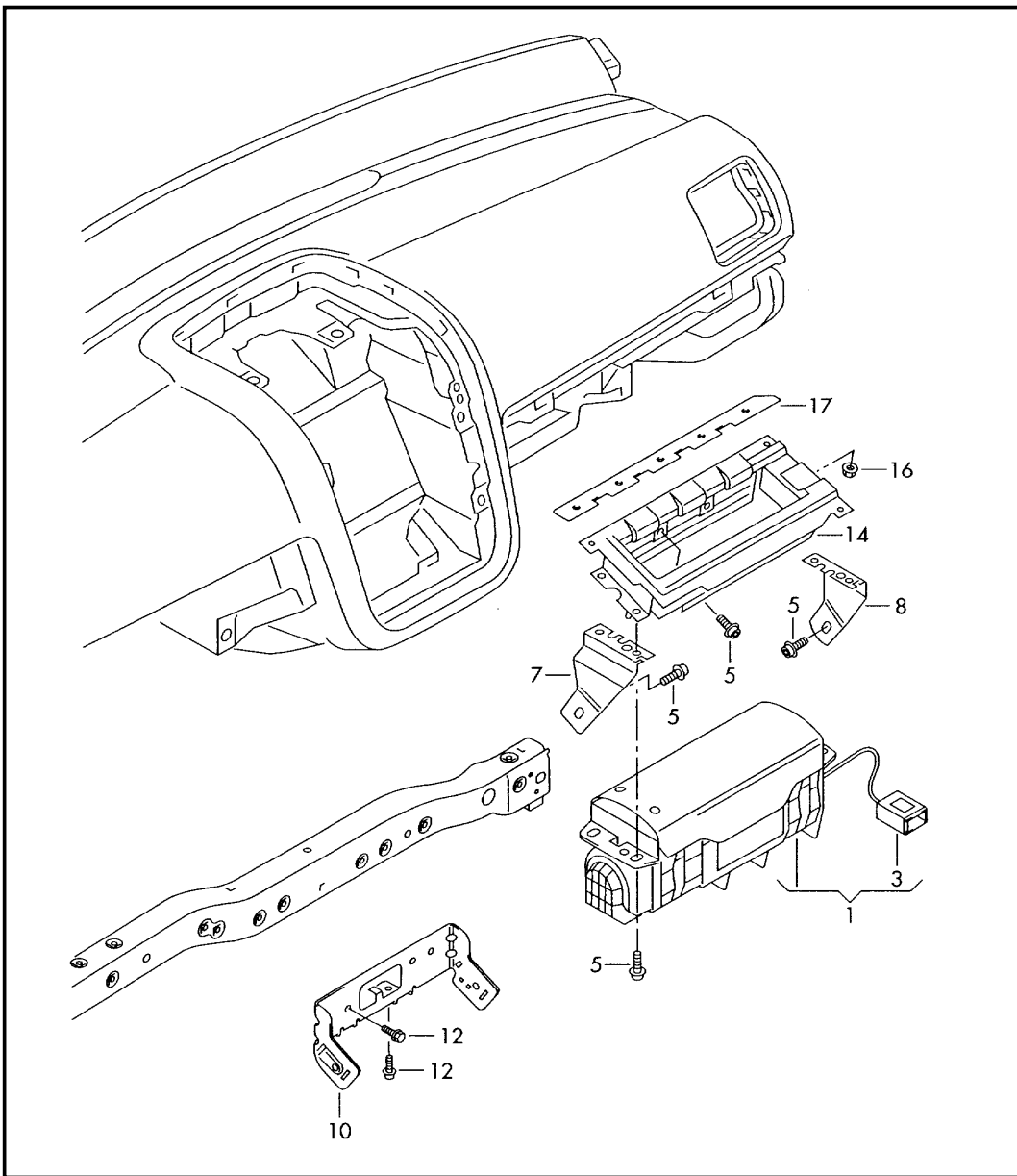
Model	Year	MG	SG	Illustration	Restrictions	UPD	22:08	04.12.2006		ETKA
GO	2007	8	77	877-00	Rabbit/GTI	597	USA			

Pos	Part Number	Name	Remarks	Qty	Model	Pos	Part Number	Name	Remarks	Qty	Model
18	1K6 877 655 A	wind deflector		1		41	8D5 898 015	guide with cable	left/right	1	
	06/05 9B9	satin black									
19	8D5 898 671 A	1 set of mounting - wind defl.	left/right	1							
20	8D5 898 652	1 set of rubber stop		1							
21	8D5 877 975	flat spring wind deflector		2							
22	N 907 498 02	innensechsrund-linsenschraube	M6X12	10							
24	N 905 908 01	washer	6,4X32X2	2							
25		sliding roof motor see illustration:	959-05								
26	1K0 875 699	crank for winding gear		1							
27		see illustration:	947-00								
29	N 908 848 01	innensechsrund-linsenschraube	M5X18	3							
30	1K0 877 231	water drain hose	front	2							
(30)	1K6 877 233 A	water drain hose	rear	2							
(31)	1K6 877 244	bracket for hose	rear	6							
32	1T0 877 242	drain tube grommet	front	2							
(32)	1K6 877 236	water drain valve	rear	2							
34	8D5 877 481	guide locking segment	left	1							
(34)	8D5 877 482	guide locking segment	right	1							
35	1K0 877 244	bracket for hose	front	6							
(35)	1K6 877 244	bracket for hose	front, upper	2							
37	8D5 877 421	spacer		2							
38	8D5 877 151 A	guide	left	1							
(38)	8D5 877 152 A	guide	right	1							
39	N 905 154 01	tapping screw, fill. hd.	E5.3X14	2							
40	8D5 877 483	guide	left front	1							
(40)	8D5 877 484	guide	right front	1							


Model	Year	MG	SG	Illustration	Restrictions	UPD	22:08	04.12.2006		ETKA
GO	2007	8	80	880-00	Rabbit/GTI	597	USA			

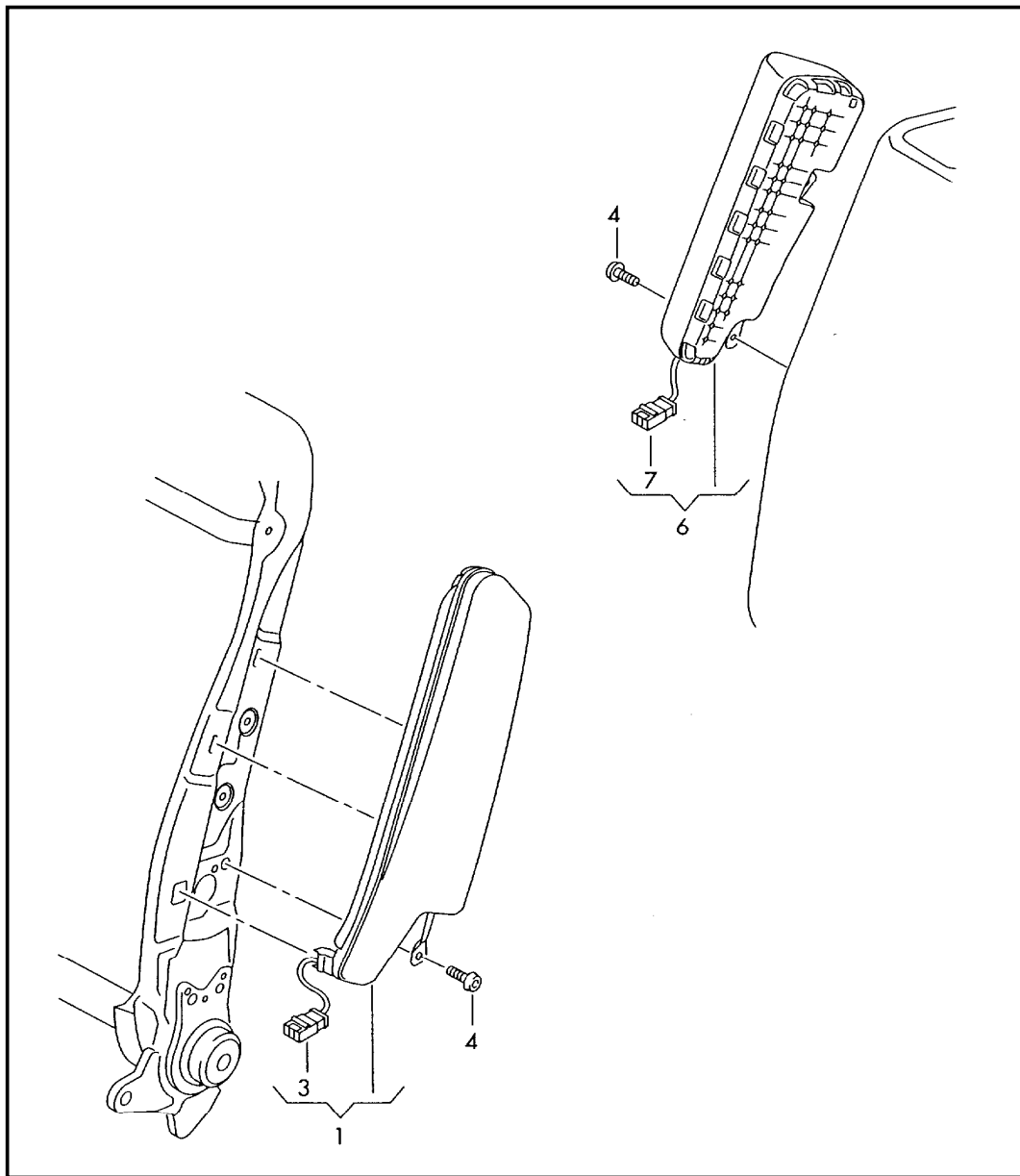
	Pos	Part Number	Name	Remarks	Qty	Model
	(5)	1K0 880 201 BJ	airbag unit (drivers side) airbag unit for sport steering wheel ** only order for ** ** immediate installation **		1	PR-1Q0+1MH, 1MW, 1ME, 1XS 1XU
	f 04/06	1QB	black			
	(5)	1K0 880 201 S	airbag unit for sport steering wheel ** only order for ** ** immediate installation **		1	PR-1Q1+1MH, 1MW, 1ME, 1XS 1XU
	f 06/05	1QB	black			
	6	1K0 971 584	air bag harness		1	PR-1MH, 1MW, 1XS, 1XU, 1ME
	(8)	1K0 880 201 Q	airbag unit for steering wheel with switch for radio and telephone remote control ** only order for ** ** immediate installation **		1	PR-1Q0+1XX, 2ZB, 2ZZ, 2FN, 2FP, 2FL, 2FM, 1MS
	f 06/05	1QB	black			
	(8)	1K0 880 201 T	airbag unit for steering wheel with switch for radio and telephone remote control ** only order for ** ** immediate installation **		1	PR-1Q1+1XX, 2ZB, 2ZZ, 2FN, 2FP, 2FL, 2FM, 1MS
	f 06/05	1QB	black			
	9	1K0 971 584 C	air bag harness multifunction steering wheel		1	PR-1XX, 2ZB, 2ZZ, 2FN, 2FP, 2FL, 2FM, 1MS
10			not a spare part			

Model	Year	MG	SG	Illustration	Restrictions	UPD	22:08	04.12.2006		ETKA
GO	2007	8	80	880-10	Rabbit/GTI	597	USA			




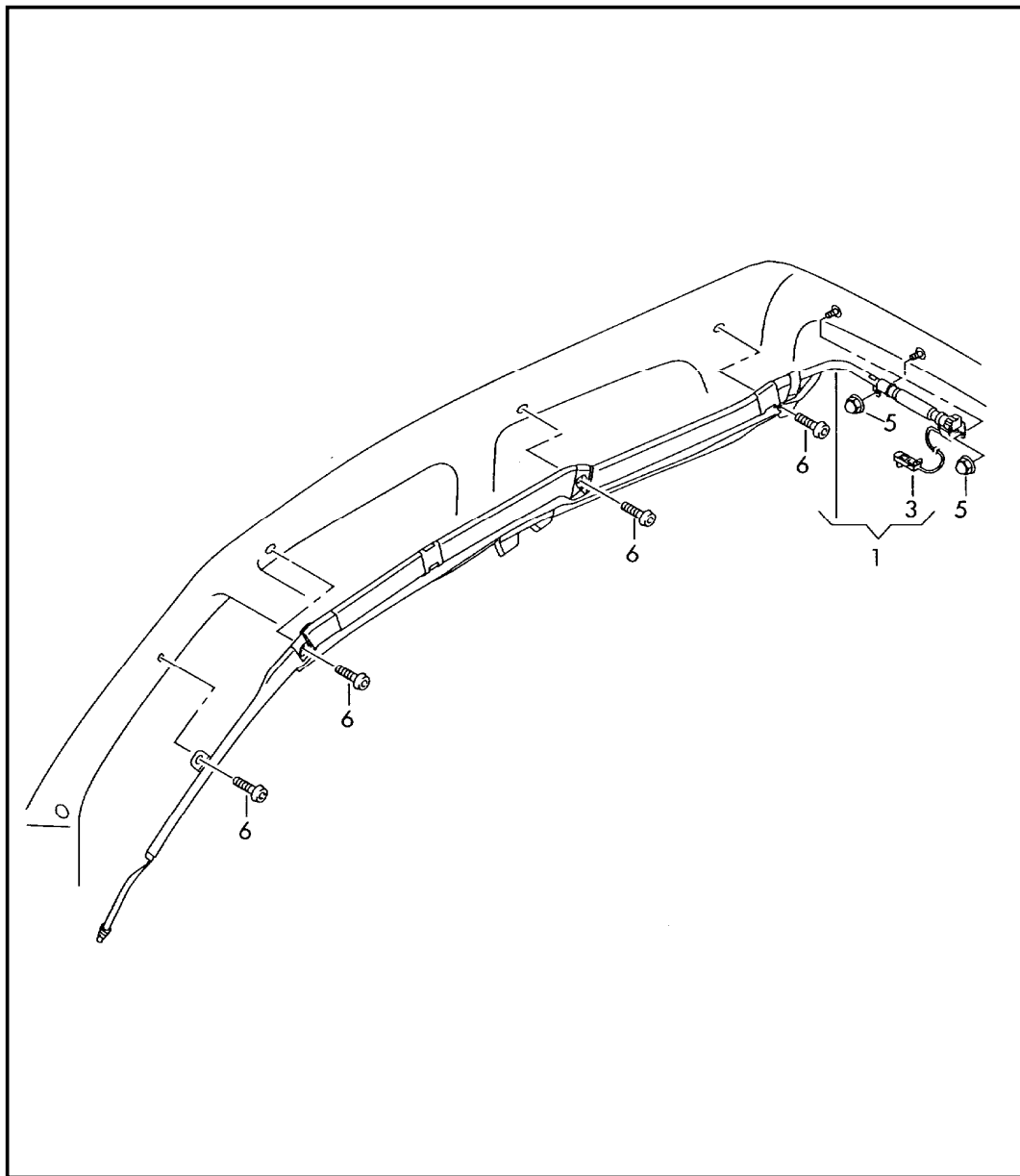
Pos	Part Number	Name	Remarks	Qty	Model
		airbag unit (passenger side)			
		** caution dangerous cargo ** see workshop manual			
5	+ N 907 912 01	innensechsrund-linsenschraube	M6X16	X	
7	1K0 880 571 B	retaining bracket	left	1	
8	1K0 880 572 B	retaining bracket	right	1	
10	1K0 880 195 C	retaining plate for airbag		1	
12	N 101 711 02	bolt, hex. hd. with shoulder	M6X16	4	
14	1K1 880 215 A	retaining frame for airbag		1hd	1
16	N 908 802 01	shouldered hex. nut, self-locking	M5	12	
17	1K1 880 243	retaining plate		1hd	1
12	N 101 711 02	bolt, hex. hd. with shoulder	M6X16	4	

Model	Year	MG	SG	Illustration	Restrictions	UPD	22:08	04.12.2006		ETKA
GO	2007	8	80	880-20	Rabbit/GTI	597	USA			




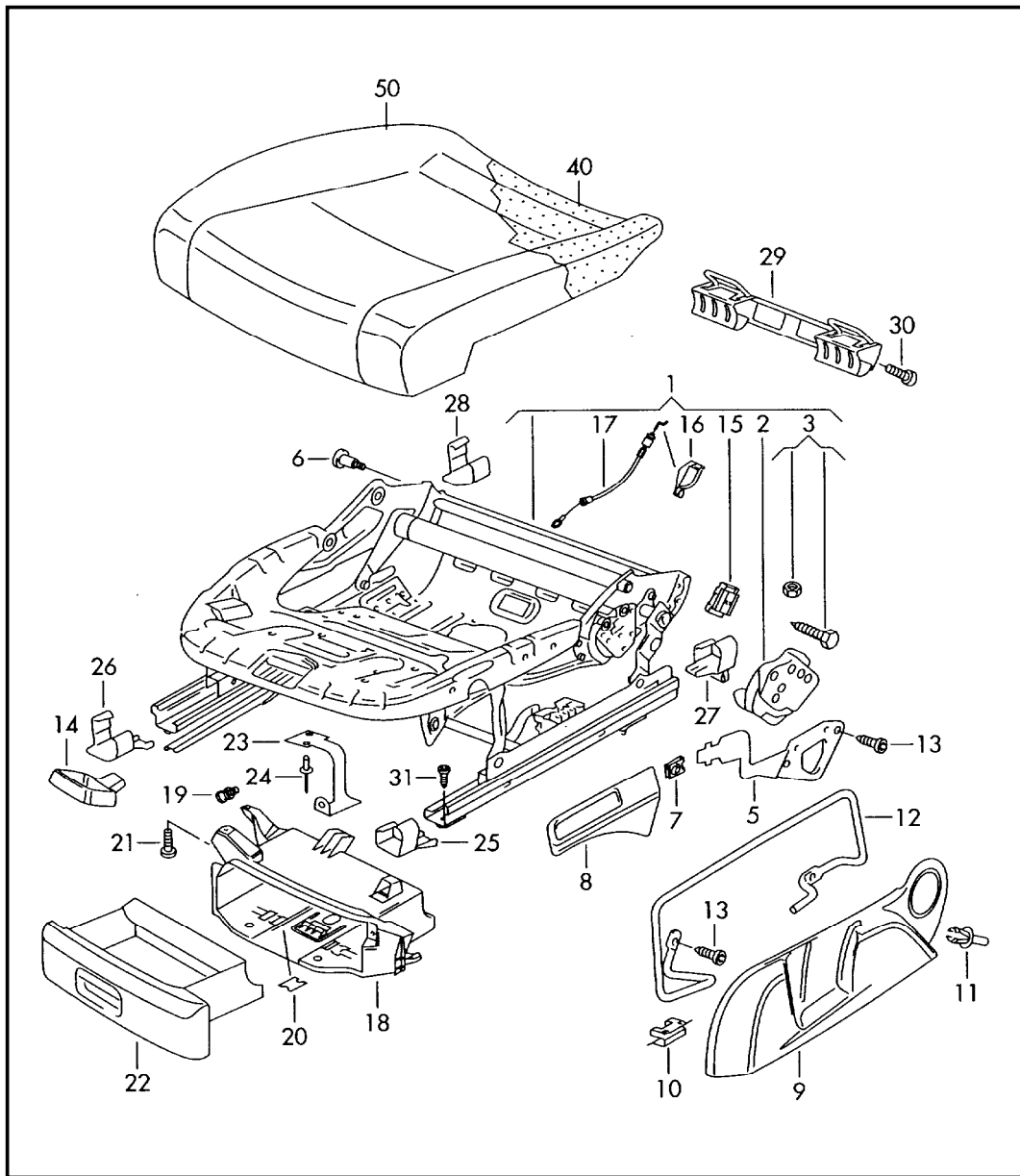
Pos	Part Number	Name	Remarks	Qty	Model
		side air bag unit ** caution dangerous cargo ** see workshop manual			
(1) f	3C1 880 241	side air bag unit ** only order for ** ** immediate installation **	left front 2 doors	1	PR-0A1
(1) f	3C1 880 242	side air bag unit ** only order for ** ** immediate installation **	right front 2 doors	1	PR-0A1
(1)	3C0 880 241 A	side air bag unit ** only order for ** ** immediate installation **	left front 4-door	1	PR-0A2+3H0
(1)	3C0 880 241 A	side air bag unit ** only order for ** ** immediate installation **	left front 4-door lhd	1	PR-0A2+L0L+3H2
(1)	3C0 880 242 A	side air bag unit ** only order for ** ** immediate installation **	right front 4-door	1	PR-0A2+3H0
(1)	3C4 880 242 A	side air bag unit ** only order for ** ** immediate installation **	right 4-door lhd	1	
3	4E0 972 576	flat contact housing side air bag unit for single wiring: counter part to:	3 pin yellow 000 979 015 A 4E0 972 586	X	
4 + N	907 912 01	innensechsrund-linsenschraube	M6X16	X	
(6) f	1K4 880 441 A	side air bag unit ** only order for ** ** immediate installation **	left rear 4-door	1	PR-0A2+4X4, 6C1
6 f	1K4 880 442 A	side air bag unit ** only order for ** ** immediate installation **	right rear 4-door	1	PR-0A2+4X4, 6C1
7	4E0 972 576	flat contact housing side air bag unit for single wiring: counter part to:	3 pin yellow 000 979 015 A 4E0 972 586	X	

Model	Year	MG	SG	Illustration	Restrictions	UPD	22:08	04.12.2006		ETKA
GO	2007	8	80	880-30	Rabbit/GTI	597	USA			




Pos	Part Number	Name	Remarks	Qty	Model
		head airbag unit			
		** caution dangerous cargo **			
		see workshop manual			
(1) f	1K6 880 741 P	head airbag unit ** only order for ** ** immediate installation **	left 2 doors	1	PR-0A1
(1) f	1K6 880 742 P	head airbag unit ** only order for ** ** immediate installation **	right 2 doors	1	PR-0A1
(1) f	1K6 880 741 L	head airbag unit ** only order for ** ** immediate installation **	left 4-door	1	PR-0A2
(1) f	1K6 880 742 L	head airbag unit ** only order for ** ** immediate installation **	right 4-door	1	PR-0A2
3	6X0 972 783	flat contact housing airbag for single wiring:	3 pin yellow 000 979 132 A	1 X	
5	1J0 971 254 B	cap nut	M6	2	
6	N 105 944 01	innensechsrund-linsenschraube	M5X18	4	


Model	Year	MG	SG	Illustration	Restrictions	UPD	22:09	04.12.2006		ETKA
GO	2007	8	81	881-00	Rabbit/GTI	597	USA			




Pos	Part Number	Name	Remarks	Qty	Model
		seat frame	left front manual		
(1)	1K3 881 105 DG	seat frame with hight adjustment	2 doors	1	PR-3TB,3TF
(1)	1K3 881 105 DJ	seat frame with hight adjustment	2 doors	1	PR-3TG,3TU
(1)	1K4 881 105 GD	seat frame with hight adjustment to fit use workshop material	4-door	1	
2	1K0 881 053 A	adjuster (height adjustment)		1	
3	1K0 898 053	mounting parts for seat height adjustment		1	
5	1K0 881 091 B	operating lever for height adjustment		1	
6	N 910 146 01	innensechsrund-passschraube	M12X1,25X16,5	X	
7	1K0 881 449	retaining clip		1	
8	1K0 882 251 A	handle - seat height adjustm.		1	
	06/05 3U6	art gray	-HC, HD, JT, KH		
	06/05 7G8	beige	-JU, KJ, TH, VU		
	06/05 71N	anthracite	-HA, HB, HE, IG, IH, JS, KG, KK, KL, RZ, TG, TK,		
(9)	1K3 881 317 K	trim panel for seat frame for seat frame with height adjustment	2 doors	1	PR-3H9+7P0, 7P4
	06/05 3U6	art gray	-HC, HD, JT, KH		
	06/05 7G8	beige	-JU, KJ, TH, VU		
	06/05 71N	anthracite	-HA, HB, HE, IG, IH, JS, KG, KK, KL, RZ, TG, TK,		
(9)	1K3 881 317 L	trim panel for seat frame for vehicle with electric adjustable lumbar support for seat frame with height adjustment	2 doors	1	PR-3H9+7P1
	06/05 71N	anthracite	-HA, HB, HE, IG, IH, JS, KG, KK, KL, RZ, TG, TK,		

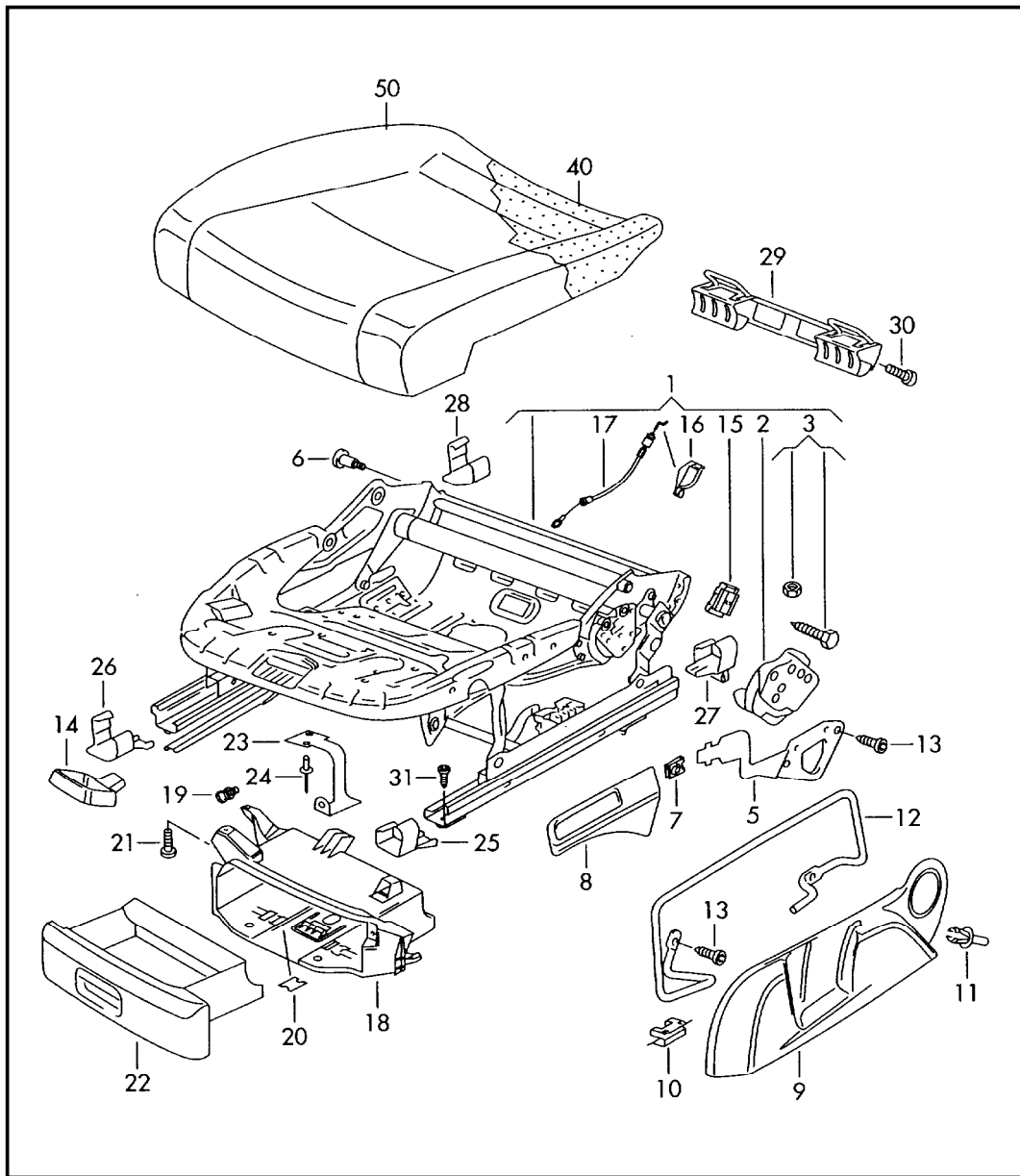
Model	Year	MG	SG	Illustration	Restrictions	UPD	22:09	04.12.2006		ETKA
GO	2007	8	81	881-00	Rabbit/GTI	597	USA			

Pos	Part Number	Name	Remarks	Qty	Model	Pos	Part Number	Name	Remarks	Qty	Model
(9)	1K4 881 317 P	trim panel for seat frame for seat frame with height adjustment	4-door	1	PR-7P0,7P4	(26)	1K0 881 348 B	cover for channel	right front	1	PR-3H0,3H2
	06/05 3U6	art gray	-HC,HD,JT,KH				08/05 9B9	satin black			
	06/05 7G8	beige	-JU,KJ,TH,VU			(26)	8P0 881 480	cover for channel	right front	1	PR-3H9
	06/05 71N	anthracite	-HA,HB,HE,IG, IH,JS,KG,KK, KL,RZ,TG,TK,				06/05 4PK	sabre (black)			
(9)	1K4 881 317 R	trim panel for seat frame for vehicle with electric adjustable lumbar support for seat frame with height adjustment	4-door	1	PR-7P1	27	8P0 881 349	cover for channel	rear, outer	1	PR-3H9
	06/05 3U6	art gray	-HC,HD,JT,KH				06/05-03/064PK	sabre (black)			
	06/05 7G8	beige	-JU,KJ,TH,VU			(28)	8P0 881 477	cover for channel	rear, inner	1	PR-3H9
	06/05 71N	anthracite	-HA,HB,HE,IG, IH,JS,KG,KK,				06/05-03/064PK	sabre (black)			
10	1T0 881 621	clip	rear	1		31	N 909 369 01	socket hd. screw with polygon socket	M10X38W	4	
(10)	1T0 881 621 A	clip	front	1				padding for seat	left front manual		
11	+ N 905 369 01	rivet	B5X5,5	1		40	1K0 881 375 P	padding for seat		1	PR-N4C
12	1K0 881 559 D	retainer	left	1	PR-3PD	(40)	1K0 881 375 Q	padding for seat		1	PR-N0U
(12)	8E0 881 559	retainer	left	1	PR-3L1,3L3	(40)	1K0 881 375 R	padding for seat		1	PR-N2K
13	N 908 049 01	innensechsrund-linsenschraube	M5GFX12	X		(40)	1K0 881 375 AB	padding for seat		1	PR-N7F
14	1T0 881 253 A	handle - seat longit.adjustm.		1		-	7H0 881 621	clip (for repairs only)		X	
	06/05 9B9	satin black						seat covers	left front manual		
15	1K3 881 063	friction pad	-MEMO-	1	PR-3H9						
16	1K3 881 132	holder for bowden cable	2 doors	1	PR-3H9	(50)	1K0 881 405 HB	seat cover (cloth) with heater element		1	PR-N4C
17	1K3 881 341	bowden cable		1	PR-3H9		12/05 UJD	anthracite	-HA		
(25)	1K0 881 347 B	cover for channel	left front	1	PR-3H0,3H2	(50)	1K0 881 405 HD	seat cover (cloth) with heater element		1	PR-N0U
	08/05 9B9	satin black					12/05 RCK	anthracite/off-black	-JS		
25	8P0 881 347	cover for channel	left front	1	PR-3H9		12/05 RCL	art gray	-JT		
	06/05 4PK	sabre (black)									


Model	Year	MG	SG	Illustration	Restrictions	UPD	22:09	04.12.2006		ETKA
GO	2007	8	81	881-00	Rabbit/GTI	597	USA			

Pos	Part Number	Name	Remarks	Qty	Model	Pos	Part Number	Name	Remarks	Qty	Model
	12/05-05/06RCM	beige	-JU								
(50)	1K0 881 405 GF	seat cover (cloth) with heater element		1	PR-N2K						
	02/06-05/06TZX	anthracite	-RZ								
(50)	1K0 881 405 JJ	seat cover (cloth) with heater element		1	PR-N2K						
	06/06 TZX	anthracite	-RZ								
(50)	1K0 881 405 HL	seat cover (leather/leatherette) with heater element		1	PR-N7F						
	08/05-05/06JTB	anthracite	-TG,TK								
(50)	1K0 881 405 QA	seat cover (leather/leatherette) with heater element		1	PR-N7F						
	06/06 JTB	anthracite	-TG,TK								


Model	Year	MG	SG	Illustration	Restrictions	UPD	22:09	04.12.2006		ETKA
GO	2007	8	81	881-05	Rabbit/GTI	597	USA			




Pos	Part Number	Name	Remarks	Qty	Model
		seat frame	right front manual		
(1)	1K3 881 106 CJ	seat frame	2 doors	1	PR-3L1
(1)	1K3 881 106 DG	seat frame with hight adjustment	2 doors	1	PR-3L2, 3L3+3SB, 3SF
(1)	1K3 881 106 DJ	seat frame with hight adjustment	2 doors	1	PR-3L3+3SG, 3SU
(1)	1K4 881 106 GD	seat frame with hight adjustment to fit use workshop material	4-door	1	PR-3L2, 3L3, 3PB, 3PD+3H0
(1)	1K4 881 106 HD	seat frame with hight adjustment	4-door	1	PR-3H2
(2)	1K0 881 054 A	adjuster (height adjustment)		1	
3	1K0 898 053	mounting parts for seat height adjustment		1	
(5)	1K0 881 092 B	operating lever for height adjustment		1	
6	N 910 146 01	innensechsrund-passschraube MIKROVERKAPSELT	M12X1,25X16,5	X	
7	1K0 881 449	retaining clip		1	
(8)	1K0 882 252 A	handle - seat height adjustm.		1	
	06/05 3U6	art gray	-HC, HD, JT, KH		
	06/05 7G8	beige	-JU, KJ, TH, VU		
	06/05 71N	anthracite	-HA, HB, HE, IG, IH, JS, KG, KK, KL, RZ, TG, TK,		
(9)	1K3 881 318 K	trim panel for seat frame for seat frame with height adjustment	2 doors	1	PR-3H9+7P0, 7P4
	06/05 3U6	art gray	-HC, HD, JT, KH		
	06/05 7G8	beige	-JU, KJ, TH, VU		
	06/05 71N	anthracite	-HA, HB, HE, IG, KL, RZ, TG, TK,		

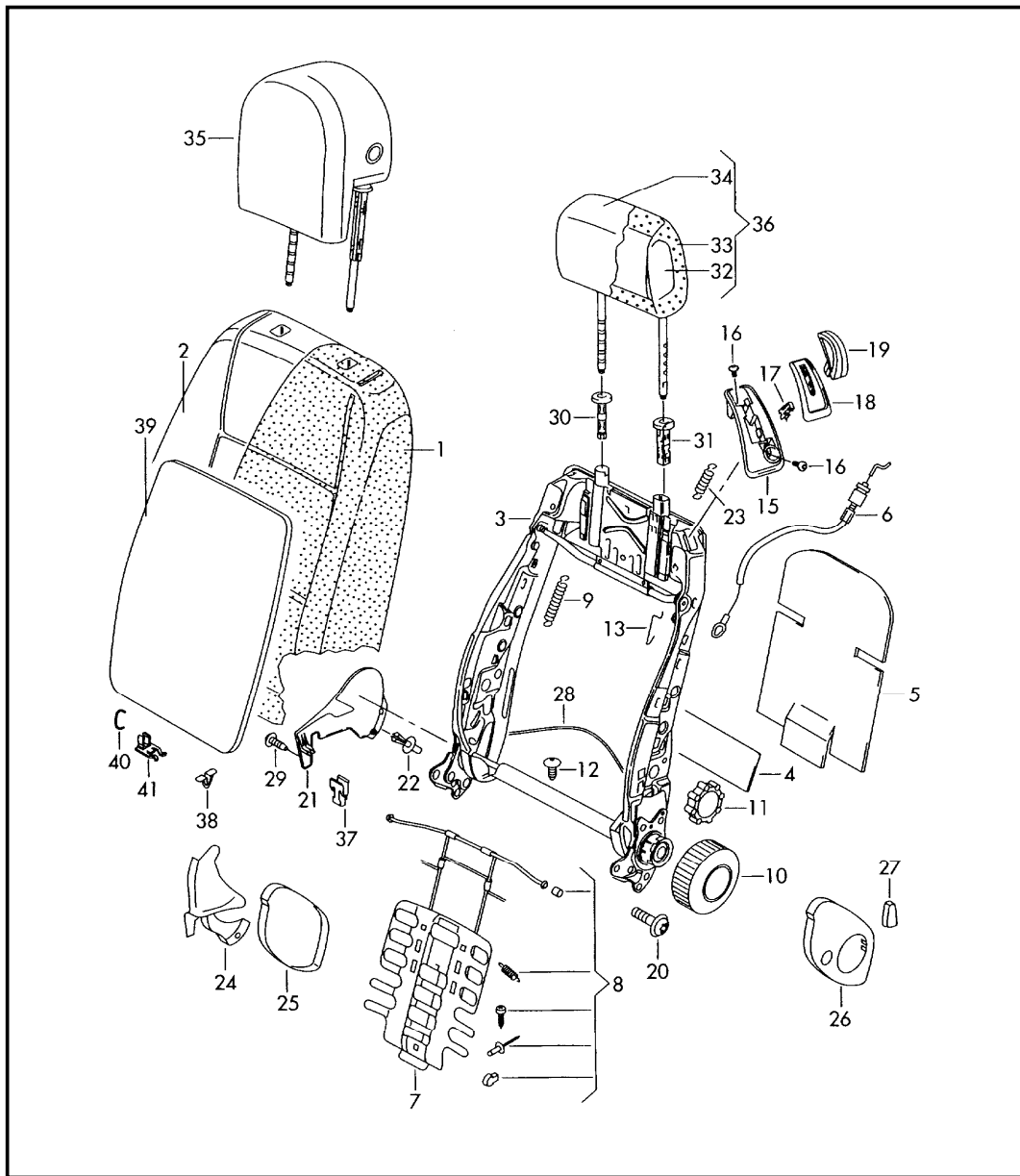
Model	Year	MG	SG	Illustration	Restrictions	UPD	22:09	04.12.2006		ETKA
GO	2007	8	81	881-05	Rabbit/GTI	597	USA			

Pos	Part Number	Name	Remarks	Qty	Model	Pos	Part Number	Name	Remarks	Qty	Model
(9)	1K3 881 318 L	trim panel for seat frame for vehicle with electric adjustable lumbar support for seat frame with height adjustment	2 doors	1	PR-3H9+7P1	14	1T0 881 254 A	handle - seat longit.adjustm.		1	
	06/05 3U6	art gray	-HC,HD, JT, KH				06/05 9B9	satin black			
	06/05 7G8	beige	-JU, KJ, TH, VU			(15)	1K3 881 064	friction pad	-MEMO-	1	PR-3H9
	06/05 71N	anthracite	-HA, HB, HE, IG, KL, RZ, TG, TK,			(16)	1K3 881 132 A	holder for bowden cable	2 doors	1	PR-3H9
						17	1K3 881 341	bowden cable		1	PR-3H9
						(25)	1K0 881 347 B	cover for channel	left front	1	PR-3H0,3H2
(9)	1K4 881 318 P	trim panel for seat frame for seat frame with height adjustment	4-door	1	PR-3H0+7P0, 7P4		08/05 9B9	satin black			
	06/05 3U6	art gray	-HC,HD, JT, KH			(25)	8P0 881 479	cover for channel	left front	1	PR-3H9
	06/05 7G8	beige	-JU, KJ, TH, VU				06/05 4PK	sabre (black)			
	06/05 71N	anthracite	-HA, HB, HE, IG, KL, RZ, TG, TK,			(26)	1K0 881 348 B	cover for channel	right front	1	PR-3H0,3H2
							06/05 9B9	satin black			
(9)	1K4 881 318 R	trim panel for seat frame for vehicle with electric adjustable lumbar support for seat frame with height adjustment	4-door	1	PR-3H0+7P1	(26)	8P0 881 348	cover for channel	right front	1	PR-3H9
	06/05 71N	anthracite	-HA, HB, HE, IG, KL, RZ, TG, TK,				06/05-08/054PK	sabre (black)			
						27	8P0 881 349	cover for channel	rear, outer	1	PR-3H9
(9)	1K4 881 318 AA	trim panel for seat frame for models with height adjustable seat and folding backrest function		1	PR-3H2+7P0, 7P4		06/05-03/064PK	sabre (black)			
	06/05 3U6	art gray	-HC,HD, JT, KH			(28)	8P0 881 477	cover for channel	rear, inner	1	PR-3H9
	06/05 7G8	beige	-JU, KJ, TH, VU				06/05-03/064PK	sabre (black)			
	06/05 71N	anthracite	-HA, HB, HE, IG, IH, JS, KG, KK,			31	N 909 369 01	socket hd. screw with polygon socket	M10X38W	4	
10	1T0 881 621	clip	rear	1				padding for seat	right front manual		
(10)	1T0 881 621 A	clip	front	1		40	1K0 881 375 P	padding for seat		1	PR-N4C
11 +	N 905 369 01	rivet	B5X5, 5	1		(40)	1K0 881 375 Q	padding for seat		1	PR-N0U
(12)	1K0 881 560	retainer		1	PR-3L1	(40)	1K0 881 375 AB	padding for seat		1	PR-N7F
(12)	8E0 881 560	retainer		1	PR-3L2, 3L3	(40)	1K0 881 376	padding for seat		1	PR-N2K
13	N 908 049 01	innensechsrund-linsenschraube	M5GFX12	X							


Model	Year	MG	SG	Illustration	Restrictions	UPD	22:09	04.12.2006		ETKA
GO	2007	8	81	881-05	Rabbit/GTI	597	USA			

Pos	Part Number	Name	Remarks	Qty	Model	Pos	Part Number	Name	Remarks	Qty	Model
-	7H0 881 621	clip (for repairs only)		X							
		seat covers	right front manual								
(50)	1K0 881 405 HB	seat cover (cloth) with heater element		1	PR-N4C						
	12/05 UJD	anthracite	-HA								
(50)	1K0 881 405 HD	seat cover (cloth) with heater element		1	PR-N0U						
	12/05 RCK	anthracite/off-black	-JS								
	12/05 RCL	art gray	-JT								
	12/05-05/06RCM	beige	-JU								
(50)	1K0 881 405 GF	seat cover (cloth) with heater element		1	PR-N2K						
	02/06-05/06TZX	anthracite	-RZ								
(50)	1K0 881 405 JJ	seat cover (cloth) with heater element		1	PR-N2K						
	06/06 TZX	anthracite	-RZ								
(50)	1K0 881 405 HL	seat cover (leather/leathe- rette) with heater element		1	PR-N7F						
	08/05-05/06JTB	anthracite	-TG, TK								
(50)	1K0 881 405 QA	seat cover (leather/leathe- rette) with heater element		1	PR-N7F						
	06/06 JTB	anthracite	-TG, TK								


Model	Year	MG	SG	Illustration	Restrictions	UPD	22:09	04.12.2006		ETKA
GO	2007	8	81	881-50	Rabbit/GTI	597	USA			




Pos	Part Number	Name	Remarks	Qty	Model
1	1K3 881 775 BL	padding for backrest	left front 2 doors	1	PR-N4C
(1)	1K3 881 775 BQ	padding for backrest		1	PR-N0U
(1)	1K3 881 775 BS	padding for backrest			PR-N7F
(1)	1K3 881 775 BM	padding for backrest		1	PR-N2K
-	7H0 881 621	clip (for repairs only)		X	
2	1K3 881 805 JT	backrest covers for vehicles with side airbag	left front 2 doors	1	PR-N4C+7P0
	06/05-05/06UJD	anthracite	-HA		
(2)	1K3 881 805 QH	backrest cover (cloth) with heater element		1	PR-N4C+7P0
	06/06 UJD	anthracite	-HA		
(2)	1K3 881 805 KB	backrest cover (cloth) with heater element		1	PR-N4C+7P4
	06/05-05/06UJD	anthracite	-HA		
(2)	1K3 881 805 QK	backrest cover (cloth) with heater element		1	PR-N4C+7P4
	06/06 UJD	anthracite	-HA		
(2)	1K3 881 805 JK	backrest cover (cloth) with heater elem.and backrest pock.		1	PR-N0U
	06/05-05/06RCK	anthracite/off-black	-JS		
	06/05-05/06RCL	art gray	-JT		
	06/05-05/06RCM	beige	-JU		
(2)	1K3 881 805 QF	backrest cover (cloth) with heater elem.and backrest pock.		1	PR-N0U
	06/06 RCK	anthracite/off-black	-JS		
	06/06 RCL	art gray	-JT		

Model	Year	MG	SG	Illustration	Restrictions	UPD	22:09	04.12.2006		ETKA
GO	2007	8	81	881-50	Rabbit/GTI	597	USA			


Pos	Part Number	Name	Remarks	Qty	Model	Pos	Part Number	Name	Remarks	Qty	Model
(2)	1K3 881 805 KJ	backrest cover (cloth) with heater elem.and backrest pock.		1	PR-N2K	(7)	1K0 881 879 C	lumbar support with control motor for vehicle with electric adjustable lumbar support		1	PR-3K0+7P1
	02/06 TZX	anthracite	-RZ								
(2)	1K3 881 805 LL	backrest cover(leather/leatherette) with heater element and backrest pocket		1	PR-N7F	8	1K0 898 955	mounting parts for seatback mat		1	
	10/05-05/06JTB	anthracite	-TG,TK			9	1K0 881 305	spring F >> 1K-6-250 000		1	
(2)	1K3 881 805 RD	backrest cover(leather/leatherette) with heater element and backrest pocket		1	PR-N7F	10	1J0 881 671 H	rotary knob		1	
	06/06 JTB	anthracite	-TG,TK				06/05 3U6	art gray	-HC,HD, JT, KH		
		backrest	left front 2 doors				06/05 7G8	beige	-JU, KJ, TH, VU		
							06/05 71N	anthracite	-HA, HB, HE, IG, IH, JS, KG, KK, KL, RZ, TG, TK,		
3	1K3 881 515 F	frame-backrest with safety head system		1	PR-3TB,3TF,3TG+3K1	11	1J0 881 671 J	rotary knob		1	
							06/05 3U6	art gray	-HC,HD, JT, KH		
(3)	1K3 881 515 AB	frame - backrest		1	PR-3TB,3TF,3TG+3K0		06/05 7G8	beige	-JU, KJ, TH, VU		
(3)	1K3 881 515 L	frame-backrest with safety head system		1	PR-3TU+3K1		06/05 71N	anthracite	-HA, HB, HE, IG, IH, JS, KG, KK, KL, RZ, TG, TK,		
4	1K0 881 085 B	foam underlayment		1		12	N 905 841 01	cap		1	
5	1K0 881 989	protection plate for vehicle with adjustable lumbar support		1			06/05 J51	lagoon			
6	1K3 881 271 A	bowden cable for backrest release		1		15	8P3 881 629	retaining shell		1	
7	1K0 881 705 R	backrest mat		1	PR-3K1+7P0	16	N 909 530 02	innensechsrund-linsenschraube	M5X14	1	
(7)	1K0 881 705 AA	backrest mat		1	PR-3K0+7P0	17	+ 6H0 881 635	clip		1	
(7)	1K0 881 705 T	lumbar support for vehicle with adjustable lumbar support		1	PR-3K1+7P4	18	1K3 881 607 A	escutcheon		1	
							06/05 3U6	art gray	-HC,HD, JT, KH		
(7)	1Q0 881 705	lumbar support for vehicle with adjustable lumbar support		1	PR-3K0+7P4		06/05 7G8	beige	-JU, KJ, TH, VU		
							06/05 71N	anthracite	-HA, HB, HE, IG, IH, JS, KG, KK, KL, RZ, TG, TK,		
(7)	1K0 881 879 A	lumbar support with control motor for vehicle with electric adjustable lumbar support		1	PR-3K1+7P1	19	1K3 881 633 A	grip for release lever		1	
							06/05 3U6	art gray	-HC,HD, JT, KH		
							06/05 7G8	beige	-JU, KJ, TH, VU		

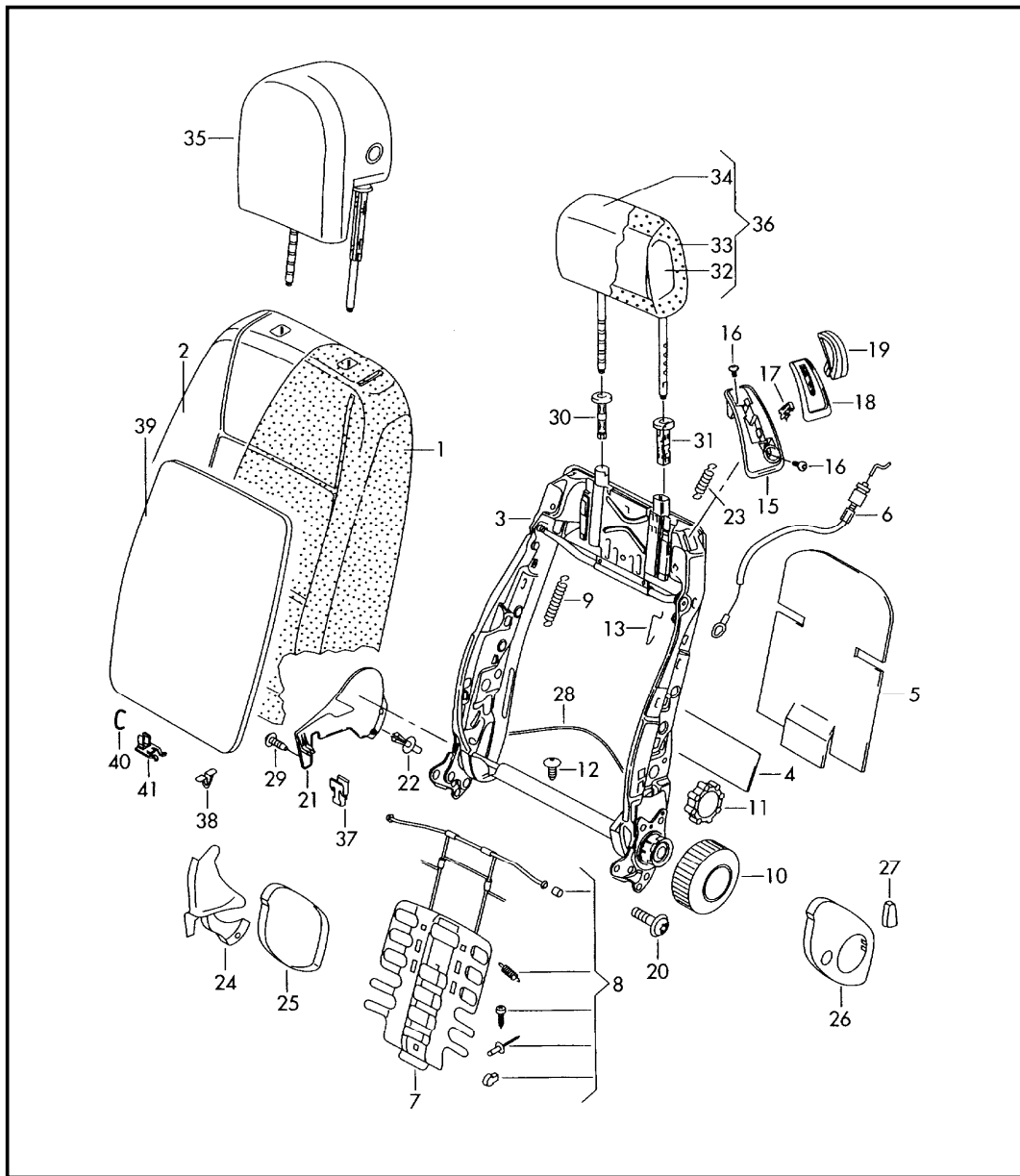
Model	Year	MG	SG	Illustration	Restrictions	UPD	22:09	04.12.2006		ETKA
GO	2007	8	81	881-50	Rabbit/GTI	597	USA			

Pos	Part Number	Name	Remarks	Qty	Model	Pos	Part Number	Name	Remarks	Qty	Model
	06/05 71N	anthracite	-HA, HB, HE, IG, IH, JS, KG, KK, KL, RZ, TG, TK,			(31)	1K0 881 920 E	guide with push button for head restraint, adjustable		1	PR-3J1
20	N 910 146 01	innensechsrund-passschraube	M12X1,25X16,5	X			06/06 3U6	art gray	-HC, HD, JT, KH		
(21)	1K3 881 480 E	cap for seat frame with height adjustment	inner	1	PR-3L1, 3L3, 3PD		06/06 71N	anthracite	-HA, HB, HE, IG, IH, JS, KG, KK, KL, RZ, TG, TK,		
	06/05 3U6	art gray	-HC, HD, JT, KH			(31)	1K0 881 920 J	guide for headrest, detachable		1	PR-5ZH
	06/05 7G8	beige	-JU, KJ, TH, VU				06/05-05/067G8	beige	-JU, KJ, TH, VU		
	06/05 71N	anthracite	-HA, HB, HE, IG, IH, JS, KG, KK, KL, RZ, TG, TK,				06/05-05/0671N	anthracite	-HA, HB, HE, IG, IH, JS, KG, KK, KL, RZ, TG, TK,		
22 +	N 905 369 01	rivet	B5X5,5	1		(31)	1K0 881 920 K	guide for headrest, detachable		1	PR-5ZF
23	1K0 881 095	tension spring		1			06/06 3U6	art gray	-HC, HD, JT, KH		
29	N 909 998 01	innensechsrund-linsenschraube	M4X8,5	1			06/06 71N	anthracite	-HA, HB, HE, IG, IH, JS, KG, KK, KL, RZ, TG, TK,		
		headrest	left front 2 doors			(35)	1K0 881 903 AB	headrest with cover, detachable (leather/leatherette)		1	PR-N7F
30	1K0 881 920 H	guide for headrest, detachable		1	PR-3J7, 5ZH		06/05 JTB	anthracite	-TG, TK		
	06/05-05/067G8	beige	-JU, KJ, TH, VU			(36)	1K0 881 901 AH	headrest with cover, adjustable (cloth)		1	PR-N4C+3J1
	06/05-05/0671N	anthracite	-HA, HB, HE, IG, IH, JS, KG, KK, KL, RZ, TG, TK, VT, WT, IK, 28, 29, RS, RT			(36)	06/06 70T	anthracite	-HA, HB, HE, IG,		
(30)	1K0 881 920 F	guide for headrest, detachable		1	PR-3J1, 5ZF		02/06 70T	anthracite	-RZ, HA		
	06/06 3U6	art gray	-HC, HD, JT, KH			(36)	1K0 881 903 AM	headrest with cover, adjustable (cloth)		1	PR-N0U+5ZH
	06/06 71N	anthracite	-HA, HB, HE, IG, IH, JS, KG, KK, KL, RZ, TG, TK, VT, WT, IK, 28, 29, RS, RT				06/06 7AA	anthracite	-JS		
							06/06 8AB	art gray	-JT		
31	1K0 881 920 G	guide with push button for head restraint, adjustable		1	PR-3J7	(36)	1K0 881 901 T	headrest with cover, adjustable (cloth)		1	PR-N0U+3J7
	06/05-05/067G8	beige	-JU, KJ, TH, VU				06/05-05/069AC	beige	-JU		
						(36)	1K0 881 901 AD	headrest with cover, adjustable (cloth)		1	PR-N0U+3J1


Model	Year	MG	SG	Illustration	Restrictions	UPD	22:09	04.12.2006		ETKA
GO	2007	8	81	881-50	Rabbit/GTI	597	USA			

Pos	Part Number	Name	Remarks	Qty	Model	Pos	Part Number	Name	Remarks	Qty	Model
	06/06 7AA	anthracite	-JS								
	06/06 8AB	art gray	-JT								


Model	Year	MG	SG	Illustration	Restrictions	UPD	22:09	04.12.2006		ETKA
GO	2007	8	81	881-55	Rabbit/GTI	597	USA			




Pos	Part Number	Name	Remarks	Qty	Model
		padding for backrest	left front 4-door		
1	1K4 881 775 BB	padding for backrest		1	PR-N4C
(1)	1K4 881 775 BC	padding for backrest		1	PR-N0U
(1)	1K4 881 775 BG	padding for backrest		1	PR-N7F
(1)	1K4 881 775 BJ	padding for backrest		1	PR-N2K
2	1K4 881 805 HN	backrest cover (cloth) with heater element		1	PR-N4C+7P0
	06/05 UJD	anthracite	-HA		
(2)	1K4 881 805 HQ	backrest cover (cloth) with heater element		1	PR-N4C+7P4
	06/05 UJD	anthracite	-HA		
(2)	1K4 881 805 HB	backrest cover (cloth) with heater elem.and backrest pock.		1	PR-N0U
	06/05 RCK	anthracite/off-black	-JS		
	06/05 RCL	art gray	-JT		
	06/05-05/06RCM	beige	-JU		
(2)	1K4 881 805 JT	backrest cover (cloth) with heater elem.and backrest pock.		1	PR-N2K
	06/06 TZX	anthracite	-RZ		
(2)	1K4 881 805 KH	backrest cover (leather/leatherette) with heater element and backrest pocket		1	PR-N7F
	06/06 JTB	anthracite	-TG,TK		
	06/06 RCW	beige	-TH		
3	1K4 881 515 AA	frame-backrest with safety head system		1	PR-3TB,3TF,3TG+3K1
(3)	1K4 881 515 AT	frame - backrest		1	PR-3TB,3TF,3TG+3K0
(3)	1K4 881 515 AL	frame-backrest with safety head system		1	PR-3TU

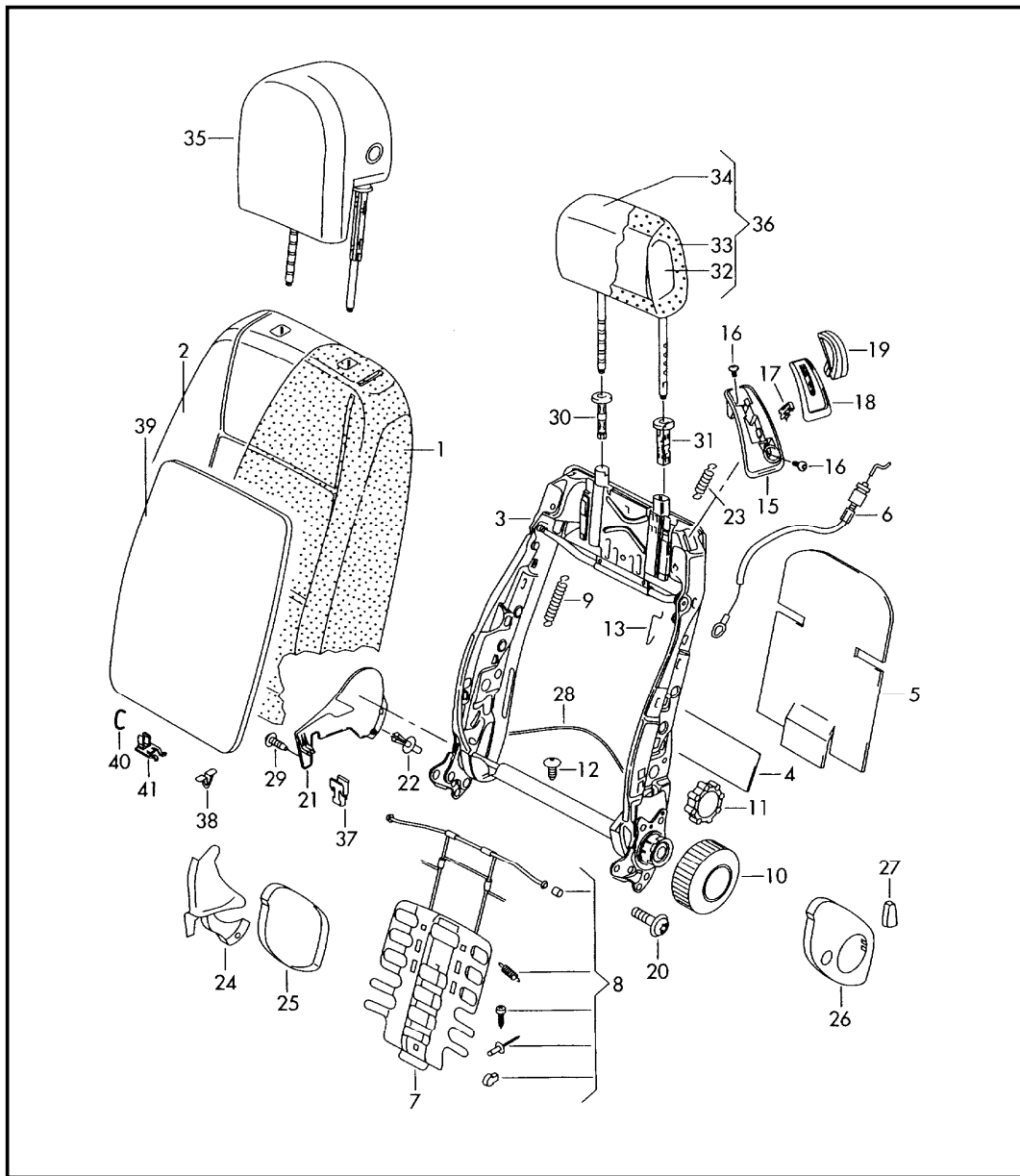
Model	Year	MG	SG	Illustration	Restrictions	UPD	22:09	04.12.2006		ETKA
GO	2007	8	81	881-55	Rabbit/GTI	597	USA			

Pos	Part Number	Name	Remarks	Qty	Model	Pos	Part Number	Name	Remarks	Qty	Model
(3)	1K4 881 515 R	frame-backrest with safety head system for vehicles with electric backrest adjustment		1	PR-3PB+3TB, 3TF, 3TG+3K1		06/05 71N	anthracite	-HA, HB, HE, IG, IH, JS, KG, KK, KL, RZ, TG, TK,		
(3)	1K4 881 515 BA	frame - backrest for vehicles with electric backrest adjustment		1	PR-3PD+3TB, 3TF, 3TG+3K0	12	N 905 841 01	cap		1	
4	1K0 881 085 C	foam underlayment		1			06/05 J51	lagoon			
5	1K0 881 989	protection plate for vehicle with adjustable lumbar support		1		15-19		not a spare part			
7	1K0 881 705 R	backrest mat		1	PR-3K1+7P0	20	N 910 146 01	innensechsrund-passschraube	M12X1, 25X16, 5	X	
7	1K0 881 705 AA	backrest mat		1	PR-3K0+7P0	(21)	1K4 881 480 D	cap for seat frame with height adjustment	inner	1	PR-3L1, 3L3, 3PD
(7)	1K0 881 705 T	lumbar support for vehicle with adjustable lumbar support		1	PR-3K1+7P4		06/05 3U6	art gray	-HC, HD, JT, KH		
(7)	1Q0 881 705	lumbar support for vehicle with adjustable lumbar support		1	PR-3K0+7P4		06/05 7G8	beige	-JU, KJ, TH, VU		
(7)	1K0 881 879 A	lumbar support with control motor for vehicle with electric adjustable lumbar support		1	PR-3K1+7P1		06/05 71N	anthracite	-HA, HB, HE, IG, IH, JS, KG, KK, KL, RZ, TG, TK,		
(7)	1K0 881 879 C	lumbar support with control motor for vehicle with electric adjustable lumbar support		1	PR-3K0+7P1	22 +	N 905 369 01	rivet	B5X5, 5	1	
8	1K0 898 955	mounting parts for seatback mat		1		23-28		not a spare part for this model			
9	1K0 881 305	spring F >> 1K-6-250 000		1			30	1K0 881 920 H	guide for headrest, detachable	1	PR-3J7, 5ZH
10	1J0 881 671 H	rotary knob		1			06/05-05/067G8	beige	-JU, KJ, TH, VU		
	06/05 3U6	art gray	-HC, HD, JT, KH				(30)	1K0 881 920 F	guide for headrest, detachable	1	PR-5ZF
	06/05 7G8	beige	-JU, KJ, TH, VU				06/06 3U6	art gray	-HC, HD, JT, KH		
	06/05 71N	anthracite	-HA, HB, HE, IG, IH, JS, KG, KK,				06/06 71N	anthracite	-HA, HB, HE, IG, IH, JS, KG, KK,		
11	1J0 881 671 J	rotary knob		1			31	1K0 881 920 G	guide with push button for head restraint, adjustable	1	PR-3J7
	06/05 3U6	art gray	-HC, HD, JT, KH				06/05-05/067G8	beige	-JU, KJ, TH, VU		
	06/05 7G8	beige	-JU, KJ, TH, VU				(31)	1K0 881 920 E	guide with push button for head restraint, adjustable	1	PR-3J1
	06/05 71N	anthracite	-HA, HB, HE, IG, IH, JS, KG, KK,				06/06 3U6	art gray	-HC, HD, JT, KH		
	06/05 7G8	beige	-JU, KJ, TH, VU				06/06 71N	anthracite	-HA, HB, HE, IG, IH, JS, KG, KK, KL, RZ, TG, TK,		


Model	Year	MG	SG	Illustration	Restrictions	UPD	22:09	04.12.2006		ETKA
GO	2007	8	81	881-55	Rabbit/GTI	597	USA			

Pos	Part Number	Name	Remarks	Qty	Model	Pos	Part Number	Name	Remarks	Qty	Model
(31)	1K0 881 920 J	guide for headrest, detachable		1	PR-5ZH						
	06/05-05/063U6	art gray	-HC, HD, JT, KH								
	06/05-05/067G8	beige	-JU, KJ, TH, VU								
	06/05-05/0671N	anthracite	-HA, HB, HE, IG, IH, JS, KG, KK,								
(31)	1K0 881 920 K	guide for headrest, detachable		1	PR-5ZF						
	06/06 3U6	art gray	-HC, HD, JT, KH								
	06/06 71N	anthracite	-HA, HB, HE, IG, IH, JS, KG, KK, KL, RZ, TG, TK, VT, WT, IK, 28, 29, RS, RT								
(36)	1K0 881 901 AH	headrest with cover, ajustable (cloth)		1	PR-N4C+3J1						
	06/06 70T	anthracite	-HA, HB, HE, KG,								
(36)	1K0 881 903 AN	headrest with cover, ajustable (cloth)		1	PR-N4C+5ZH						
	06/06 70T	anthracite	-HA								
(36)	1K0 881 903 AM	headrest with cover, ajustable (cloth)		1	PR-N0U+5ZH						
	06/06 7AA	anthracite	-JS								
	06/06 8AB	art gray	-JT								
(36)	1K0 881 901 T	headrest with cover, ajustable (cloth)		1	PR-N0U+3J7						
	06/05-05/069AC	beige	-JU								
(36)	1K0 881 901 AD	headrest with cover, ajustable (cloth)		1	PR-N0U+3J1						
	06/06 7AA	anthracite	-JS								
	06/06 8AB	art gray	-JT								


Model	Year	MG	SG	Illustration	Restrictions	UPD	22:09	04.12.2006		ETKA
GO	2007	8	81	881-60	Rabbit/GTI	597	USA			




Pos	Part Number	Name	Remarks	Qty	Model
		padding for backrest	right front 2 doors		
(1)	1K3 881 776 BP	padding for backrest		1	PR-N0U
(1)	1K3 881 776 BJ	padding for backrest F >> 1K-6-061 588		1	PR-N7F,N7J
(1)	1K3 881 776 BR	padding for backrest F 1K-6-061 589>>		1	PR-N7F,N7J
(1)	1K3 881 776 BL	padding for backrest		1	PR-N2K
-	7H0 881 621	clip (for repairs only)		X	
		backrest covers for vehicles with side airbag	right front 2 doors		
(2)	1K3 881 806 JT	backrest cover (cloth) with heater element		1	PR-N4C+7P0
	06/05	UJD anthracite	-HA		
(2)	1K3 881 806 KB	backrest cover (cloth) with heater element for models with manually adjustable lumbar support		1	PR-N4C+7P4
	06/05	UJD anthracite	-HA		
(2)	1K3 881 806 JK	backrest cover (cloth) with heater elem.and backrest pock.		1	PR-N0U
	06/05	RCK anthracite/off-black	-JS		
	06/05	RCL art gray	-JT		
	06/05-05/06RCM	beige	-JU		
(2)	1K3 881 806 KJ	backrest cover (cloth) with heater elem.and backrest pock.		1	PR-N2K
	02/06	TZX anthracite	-RZ		
(2)	1K3 881 806 HT	backrest cover (leather/leathe- rette) with heater element and backrest pocket		1	PR-N7F
	06/05-09/05JTB	anthracite	-TG,TK		
(2)	1K3 881 806 LL	backrest cover (leather/leathe- rette) with heater element and backrest pocket		1	PR-N7F

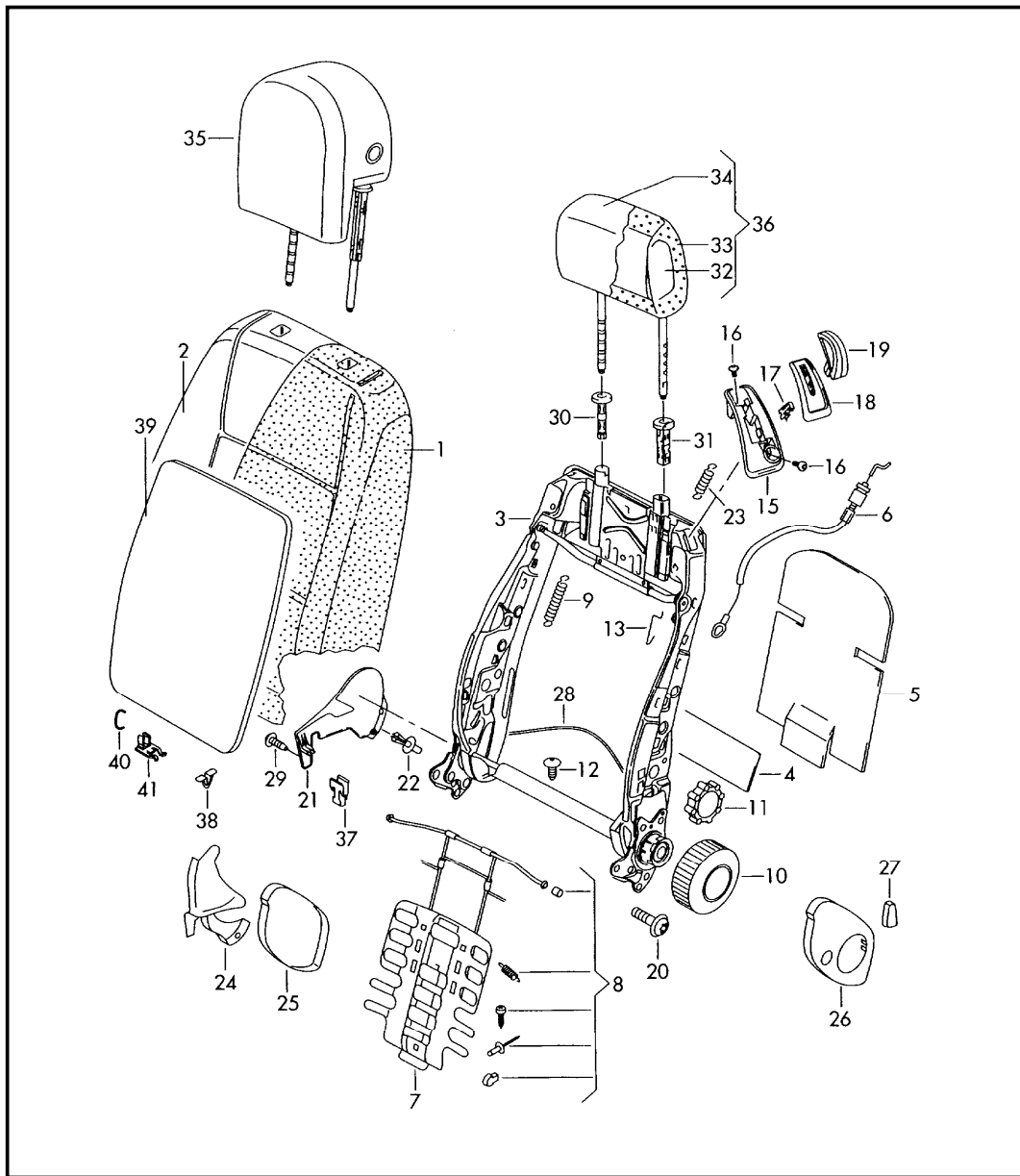
Model	Year	MG	SG	Illustration	Restrictions	UPD	22:09	04.12.2006		ETKA
GO	2007	8	81	881-60	Rabbit/GTI	597	USA			

Pos	Part Number	Name	Remarks	Qty	Model	Pos	Part Number	Name	Remarks	Qty	Model
	10/05 JTB	anthracite	-TG, TK				06/05 7G8	beige	-JU, KJ, TH, VU		
		backrest	right front 2 doors				06/05 71N	anthracite	-HA, HB, HE, IG, IH, JS, KG, KK, KL, RZ, TG, TK,		
(3)	1K3 881 516 F	frame-backrest with safety head system		1	PR-3SG+3K1	12	N 905 841 01	cap		1	
(3)	1K3 881 516 AB	frame - backrest		1	PR-3SB, 3SF, 3SG+3K0	15	8P3 881 630	retaining shell		1	
(3)	1K3 881 516 L	frame-backrest with safety head system		1	PR-3SU	16	N 909 530 02	innensechsrund-linsenschraube	M5X14	1	
4	1K0 881 085 B	foam underlayment		2		17	+ 6H0 881 635	clip		1	
5	1K0 881 989	protection plate for vehicle with adjustable lumbar support		1		18	1K3 881 608 A	escutcheon	upper	1	
6	1K3 881 272 A	bowden cable for backrest release		1			06/05 3U6	art gray	-HC, JT, KH		
(7)	1K0 881 705 AA	backrest mat		1	PR-3K0+7P0		06/05 7G8	beige	-JU, KJ, TH, VU		
(7)	1K0 881 879 A	lumbar support with control motor		1	PR-3K1+7P1	(19)	1K3 881 634 A	grip for release lever		1	
(7)	1K0 881 879 C	lumbar support with control motor		1	PR-3K0+7P1		06/05 3U6	art gray	-HC, JT, KH		
(7)	1K0 881 879 C	lumbar support with control motor		1	PR-3K0+7P1		06/05 7G8	beige	-JU, KJ, TH, VU		
(7)	1K0 881 706 F	lumbar support		1	PR-3K1+7P4		06/05 71N	anthracite	-HA, HB, HE, IG, IH, JS, KG, KK, KL, RZ, TG, TK,		
(7)	1Q0 881 706	lumbar support		1	PR-3K0+7P4						
8	1K0 898 955	mounting parts for seatback mat		1		20	N 910 146 01	innensechsrund-passschraube	M12X1, 25X16, 5	X	
9	1K0 881 305	spring F >> 1K-6-250 000		1		(21)	1K3 881 479 E	cap for seat frame with height adjustment	inner	1	PR-3L2, 3L3+ 3PD
10	1J0 881 671 H	rotary knob		1			06/05 3U6	art gray	-HC, JT, KH		
	06/05 3U6	art gray	-HC, JT, KH				06/05 7G8	beige	-JU, KJ, TH, VU		
	06/05 7G8	beige	-JU, KJ, TH, VU				06/05 71N	anthracite	-HA, HB, HE, IG, IH, JS, KG, KK, KL, RZ, TG, TK, VT, WT, IK, 28, 29, RS, RT		
	06/05 71N	anthracite	-HA, HB, HE, IG, IH, JS, KG, KK, KL, RZ, TG, TK,								
11	1J0 881 671 J	rotary knob		1		22	+ N 905 369 01	rivet	B5X5, 5	1	
	06/05 3U6	art gray	-HC, JT, KH			23	1K0 881 095	tension spring		1	
						29	N 909 998 01	innensechsrund-linsenschraube	M4X8, 5	1	


Model	Year	MG	SG	Illustration	Restrictions	UPD	22:09	04.12.2006		ETKA
GO	2007	8	81	881-60	Rabbit/GTI	597	USA			

Pos	Part Number	Name	Remarks	Qty	Model	Pos	Part Number	Name	Remarks	Qty	Model
		headrest	right front 2 doors			(35)	1K0 881 904 AB	headrest with cover, detachable (leather/leatherette)		1	PR-N7F
30	1K0 881 920 H	guide for headrest, detachable		1	PR-3J7,5ZH		06/05 JTB	anthracite	-TG,TK		
	06/05-05/063U6	art gray	-HC, JT, KH			(36)	1K0 881 904 AN	headrest with cover, adjustable (cloth)		1	PR-N2K,N4C+5ZH
	06/05-05/067G8	beige	-JU, KJ, TH, VU				02/06 70T	anthracite	-RZ,HA		
	06/05-05/0671N	anthracite	-HA, HB, HE, IG, IH, JS, KG, KK, VT, WT, IK, 28, 29, RS, RT			(36)	1K0 881 904 AM	headrest with cover, adjustable (cloth)		1	PR-N0U+5ZH
(30)	1K0 881 920 F	guide for headrest, detachable		1	PR-3J1,5ZF		06/06 7AA	anthracite	-JS		
	06/06 3U6	art gray	-HC, HD, JT, KH				06/06 8AB	art gray	-JT		
	06/06 71N	anthracite	-HA, HB, HE, IG, IH, JS, KG, KK, KL, RZ, TG, TK,								
31	1K0 881 920 G	guide with push button for head restraint, adjustable		1	PR-3J7						
	06/05-05/067G8	beige	-JU, KJ, TH, VU								
(31)	1K0 881 920 E	guide with push button for head restraint, adjustable		1	PR-3J1						
	06/06 3U6	art gray	-HC, HD, JT, KH								
	06/06 71N	anthracite	-HA, HB, HE, IG, IH, JS, KG, KK,								
(31)	1K0 881 920 J	guide for headrest, detachable		1	PR-5ZH						
	06/05-05/0671N	anthracite	-HA, HB, HE, IG, KL, RZ, TG, TK,								
(31)	1K0 881 920 K	guide for headrest, detachable		1	PR-5ZF						
	06/06 3U6	art gray	-HR, JT, KV, MR,								
	06/06 71N	anthracite	-HA, HB, HE, IG, IH, JS, KG, KK, KL, RZ, TG, TK, VT, WT, IK, 28, 29, RS, RT								


Model	Year	MG	SG	Illustration	Restrictions	UPD	22:09	04.12.2006		ETKA
GO	2007	8	81	881-65	Rabbit/GTI	597	USA			




Pos	Part Number	Name	Remarks	Qty	Model
(1)	1K4 881 776 BH	padding for backrest for vehicles with seatback fold function		1	PR-N0U+3H2
(1)	1K4 881 776 BM	padding for backrest		1	PR-N7F
(1)	1K4 881 776 BP	padding for backrest		1	PR-N2K
(2)	1K4 881 806 JN	backrest cover (cloth) with heater element for vehicles with seatback fold function		1	PR-N4C+3H2+7P0
	06/05 UJD	anthracite	-HA		
(2)	1K4 881 806 JS	backrest cover (cloth) with heater element for vehicles with seatback fold function		1	PR-N4C+3H2+7P4
	06/05 UJD	anthracite	-HA		
(2)	1K4 881 806 HR	backrest cover (cloth) with heater elem.and backrest pock. for vehicles with seatback fold function		1	PR-N0U+3H2
	06/05 RCK	anthracite/off-black	-JS		
	06/05 RCL	art gray	-JT		
(2)	1K4 881 806 LB	backrest cover (cloth) with heater elem.and backrest pock.		1	
	06/06 TZX	anthracite	-RZ		
(2)	1K4 881 806 LP	backrest cover (leather/leatherette) with heater element and backrest pocket		1	PR-N7F
	06/06 JTB	anthracite	-TG, TK		
	06/06 RCW	beige	-TH		
(3)	1K4 881 516 AT	frame - backrest		1	PR-3H0, 3SB, 3SF, 3SG+3K0
(3)	1K4 881 516 AL	frame-backrest with safety head system		1	PR-3H0+3SU
(3)	1K4 881 516 BA	frame - backrest for vehicles with electric backrest adjustment		1	PR-3PD+3SB, 3SF, 3SG+3K0

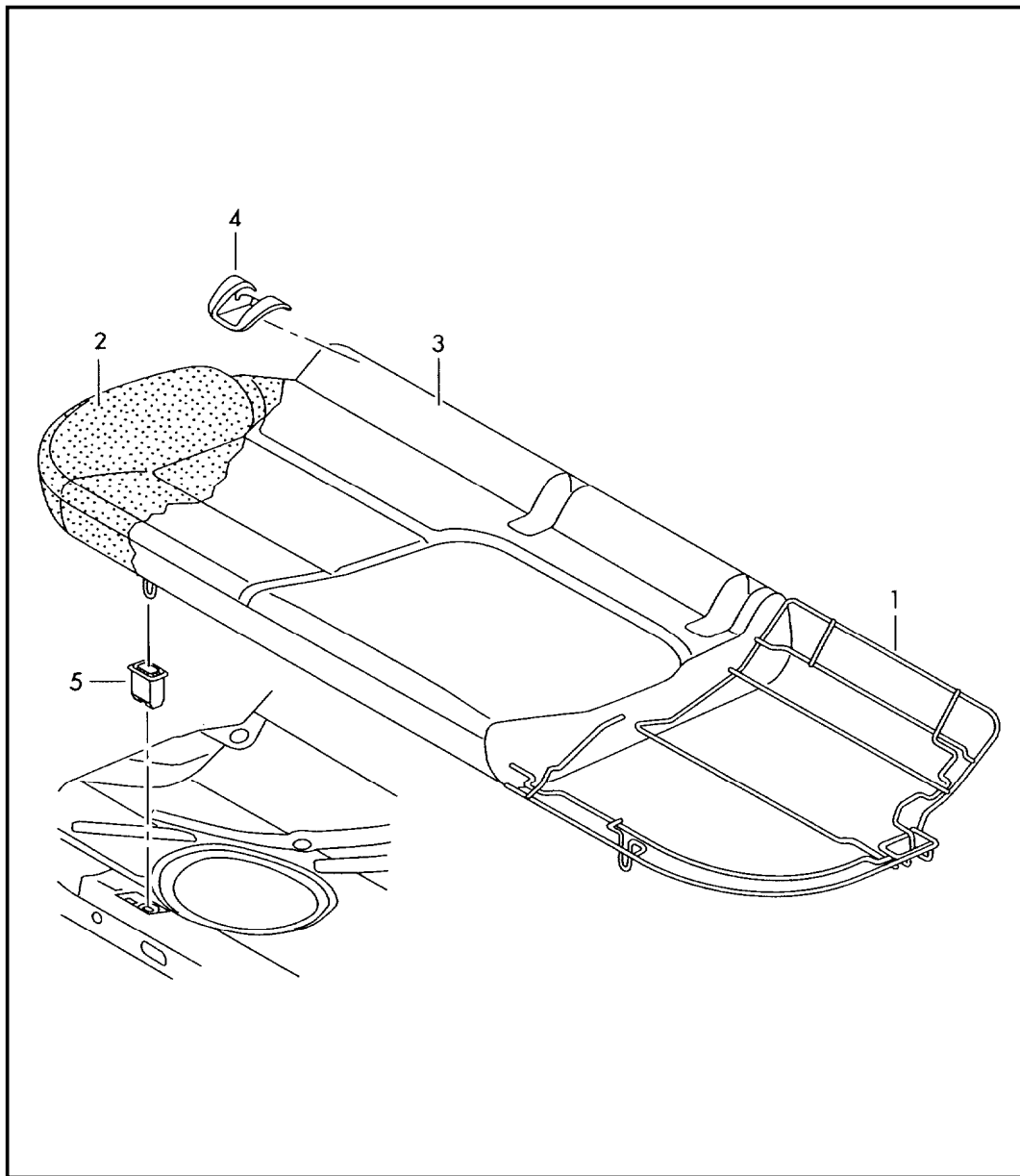
Model	Year	MG	SG	Illustration	Restrictions	UPD	22:09	04.12.2006		ETKA
GO	2007	8	81	881-65	Rabbit/GTI	597	USA			

Pos	Part Number	Name	Remarks	Qty	Model	Pos	Part Number	Name	Remarks	Qty	Model
(3)	1K4 881 516 T	frame-backrest with safety head system for vehicles with seatback fold function		1	PR-3H2		06/05 71N	anthracite	-HA, HB, HE, IG, IH, JS, KG, KK, KL, RZ, TG, TK,		
(4)	1K0 881 085 C	foam underlayment		1	PR-3H0, 3H2	22	+ N 905 369 01	rivet	B5X5, 5	1	
5	1K0 881 989	protection plate for vehicle with adjustable lumbar support		1		23		not a spare part			
6		not a spare part				24	1K4 881 640 C	cap	inner	1	PR-3H2
7	1K0 881 705 AA	backrest mat		1	PR-3K0+7P0		06/05 3U6	art gray	-HC, JT, KH		
(7)	1K0 881 879 C	lumbar support with control motor for vehicle with electric adjustable lumbar support		1	PR-3K0+7P1		06/05 71N	anthracite	-HA, HB, HE, IG, IH, JS, KG, KK, KL, RZ, TG, TK,		
(7)	1Q0 881 706	lumbar support		1	PR-3K0+7P4	25	1K4 881 479 L	cap	inner	1	PR-3H2
8	1K0 898 955	mounting parts for seatback mat		1			06/05 3U6	art gray	-HC, JT, KH		
11	1J0 881 671 J	rotary knob for vehicle with adjustable lumbar support		1	PR-3H0	26	1K4 881 478 F	cap for hinge-folding backrest	outer	1	PR-3H2
	06/05 3U6	art gray	-HC, JT, KH				06/05 3U6	art gray	-HC, HD, JT, KH		
	06/05 71N	anthracite	-HA, HB, HE, IG, IH, JS, KG, KK, KL, RZ, TG, TK,				06/05 71N	anthracite	-HA, HB, HE, IG, IH, JS, KG, KK, KL, RZ, TG, TK,		
(11)	1K0 881 671 B	rotary knob		1	PR-3H2	27	1K0 881 606 A	grip for release lever	outer	1	PR-3H2
	06/05 3U6	art gray	-HC, JT, KH				06/05 3U6	art gray	-HC, JT, KH		
	06/05 71N	anthracite	-HA, HB, HE, IG, IH, JS, KG, KK, KL, RZ, TG, TK,				06/05 71N	anthracite	-HA, HB, HE, IG, IH, JS, KG, KK, KL, RZ, TG, TK,		
12	N 905 841 01	cap		1		28	1K0 881 265 A	bowden cable for vehicles with seatback fold function		1	PR-3H2
	06/05 J51	lagoon						headrest	right front 4-door		
20	N 910 146 01	innensechsrund-passschraube	M12X1, 25X16, 5	X	PR-3L1, 3L2, 3L3, 3PD	(30)	1K0 881 920 F	guide for headrest, detachable		1	PR-3J1, 5ZF
(21)	1K4 881 479 D	cap for seat frame with height adjustment	inner	1	PR-3H0+3L2, 3L3, 3PB		06/06 71N	anthracite	-HA, HB, HE, IG, IH, JS, KG, KK, KL, RZ, TG, TK,		
	06/05 3U6	art gray	-HC, JT, KH			(31)	1K0 881 920 E	guide with push button for head restraint, adjustable		1	PR-3J1


Model	Year	MG	SG	Illustration	Restrictions	UPD	22:09	04.12.2006		ETKA
GO	2007	8	81	881-65	Rabbit/GTI	597	USA			

Pos	Part Number	Name	Remarks	Qty	Model	Pos	Part Number	Name	Remarks	Qty	Model
	06/06 71N	anthracite	-HA, HB, HE, IG, IH, JS, KG, KK, KL, RZ, TG, TK,								
(31)	1K0 881 920 K	guide for headrest, detachable		1	PR-5ZF						
	06/06 3U6	art gray	-HR, JT, KV, MR, TM, UM								
	06/06 71N	anthracite	-HA, HQ, IR, JS, KU, MQ, RZ, TG, TK, UL, 28, 29								
(36)	1K0 881 901 AH	headrest with cover, ajustable (cloth)		1	PR-N4C+3J1						
	06/06 70T	anthracite	-HA, HB, HE, KG,								
(36)	1K0 881 904 AN	headrest with cover, ajustable (cloth)		1	PR-N4C+5ZH						
	06/06 70T	anthracite	-HA								
(36)	1K0 881 904 AM	headrest with cover, ajustable (cloth)		1	PR-N0U+5ZH						
	06/06 7AA	anthracite	-JS								
	06/06 8AB	art gray	-JT								
(36)	1K0 881 901 AD	headrest with cover, ajustable (cloth)		1	PR-N0U+3J1						
	06/06 7AA	anthracite	-JS								
	06/06 8AB	art gray	-JT								


Model	Year	MG	SG	Illustration	Restrictions	UPD	22:10	04.12.2006		ETKA
GO	2007	8	85	885-20	Rabbit/GTI	597	USA			

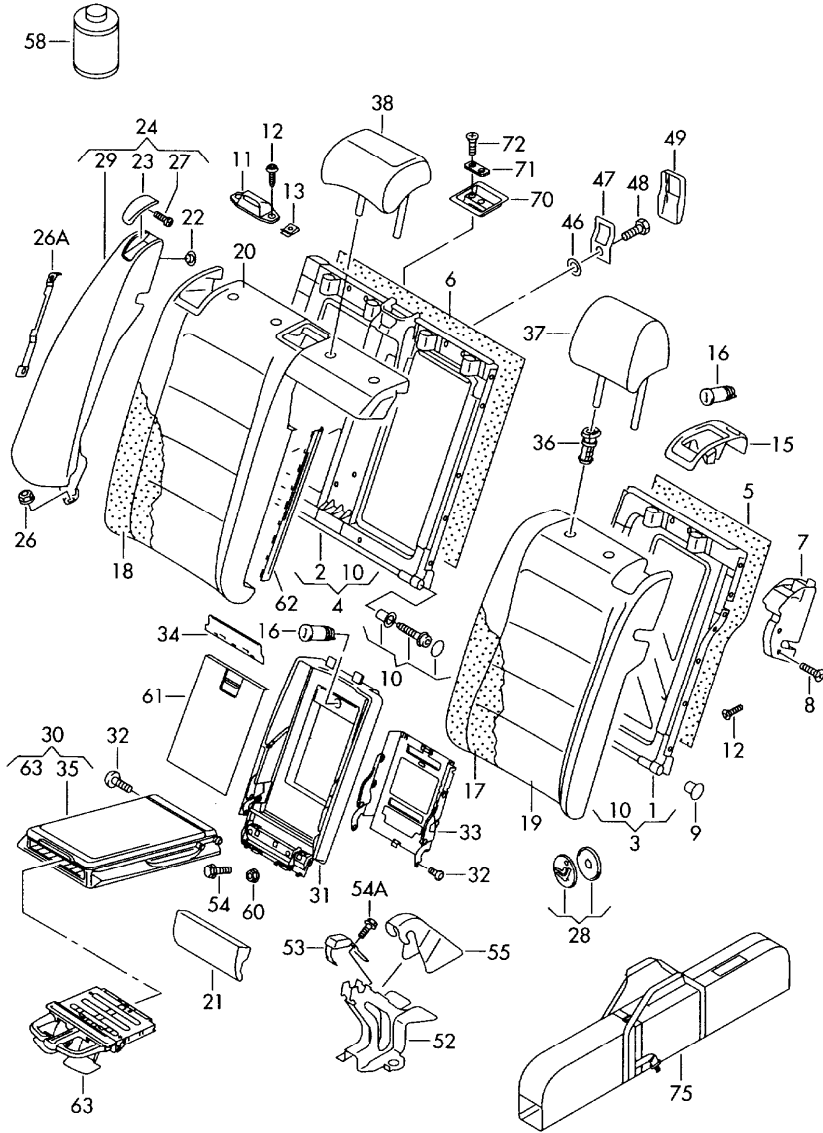


Pos	Part Number	Name	Remarks	Qty	Model
		seat	rear		
(1)	1K0 885 305 N	frame for rear seat		1	
2	1K0 885 375 BQ	padding for seat		1	PR-N4C
(2)	1K0 885 375 BR	padding for seat F >> 1K-6-138 008*		1	PR-N2K
(2)	1K0 885 375 CD	padding for seat F 1K-6-138 009>>*		1	PR-N2K
(2)	1K0 885 375 BS	padding for seat		1	PR-N0U
(2)	1K0 885 375 CC	padding for seat		1	PR-N7F
(3)	1K0 885 405 DP	seat cover (cloth)		1	PR-N4C
	02/06 UJD	anthracite	-HA		
(3)	1K0 885 405 DQ	seat cover (cloth)		1	PR-N0U
	02/06 RCK	anthracite/off-black	-JS		
	02/06 RCL	art gray	-JT		
	02/06-05/06RCM	beige	-JU		
(3)	1K0 885 405 CE	seat cover (leather/leatherette)		1	PR-N7F
	06/05-01/06JTB	anthracite	-TG, TK		
(3)	1K0 885 405 DE	seat cover (leather/leatherette)		1	PR-N7F
	02/06-05/06JTB	anthracite	-TG, TK		
(3)	1K0 885 405 ES	seat cover (leather/leatherette)		1	PR-N7F
	06/06 JTB	anthracite	-TG, TK		
(3)	1K0 885 405 CQ	seat cover (cloth)		1	PR-N2K
	02/06-02/06TZX	anthracite	-RZ		
(3)	1K0 885 405 DT	seat cover (cloth)		1	PR-N2K
	02/06 TZX	anthracite	-RZ		
(4)	1K0 887 233 D	guide sleeve	-latch-	4	
	06/05 3U6	art gray	-HC, HD, JT, KH,		
	06/05 7G8	beige	-JU, KJ, TH, VU		


Model	Year	MG	SG	Illustration	Restrictions	UPD	22:10	04.12.2006		ETKA
GO	2007	8	85	885-20	Rabbit/GTI	597	USA			

Pos	Part Number	Name	Remarks	Qty	Model	Pos	Part Number	Name	Remarks	Qty	Model
	06/05 71N	anthracite	-HA, HB, HE, IG, JS, KG, KK, KL,								
5	1K0 886 373 C	grommet		2							


Model	Year	MG	SG	Illustration	Restrictions	UPD	22:10	04.12.2006		ETKA
GO	2007	8	85	885-70	Rabbit/GTI	597	USA			




Pos	Part Number	Name	Remarks	Qty	Model
		backrest, divided	rear		
1	1K0 885 503 AK	backrest frame	left	1	
2	1K0 885 504 CJ	backrest frame for vehicles with center armrest	right	1	PR-3NU
(2)	1K0 885 504 CK	backrest frame for vehicles without center armrest	right	1	PR-3NZ
5	1K0 885 753 J	trim panel for rear panel	left	1	
	06/05 1BS	anthracite			
(6)	1K0 885 754 R	trim panel for rear panel	right	1	PR-3NU, 3NZ
	06/05 1BS	anthracite			
(7)	1K0 885 681 E	backrest lock	left	1	
(7)	1K0 885 682 E	backrest lock	right	1	
8	N 106 101 01	screw, csk. hd. with polygon socket hd.	M8X40	1	
9	8D9 885 678	grommet		2	
	06/05 01C	satin black			
10	1K0 886 227	bushing		2	
(10)	1K0 898 504	1 set mounting parts for backrest pivot comprising:		X	
15	1K0 885 893 A	trim for lock	left	1	
	06/05 3U6	art gray	-HC, HD, JT, KH, IH		
	06/05 7G8	beige	-JU, KJ, TH, VU		
	06/05 71N	anthracite	-HA, HB, HE, IG, JS, KG, KK, KL, RZ, TG, TK, VT, WT, RS, RT, IK, 28, 29, IR		
(15)	1K0 885 894 A	trim for lock	right	1	
	06/05 3U6	art gray	-HC, HD, JT, KH, IH		
	06/05 7G8	beige	-JU, KJ, TH, VU		

Model	Year	MG	SG	Illustration	Restrictions	UPD	22:10	04.12.2006		ETKA
GO	2007	8	85	885-70	Rabbit/GTI	597	USA			


Pos	Part Number	Name	Remarks	Qty	Model	Pos	Part Number	Name	Remarks	Qty	Model
	06/05 71N	anthracite	-HA, HB, HE, IG, JS, KG, KK, KL, RZ, TG, TK, VT, WT, RS, RT, IK, 28, 29, IR			(19)	1K0 885 805 FH	backrest cover (leather/leatherette)	left	1	PR-N7F+3Q6
(17)	1K0 885 775 AT	padding for backrest	left		PR-N4C		06/06 JTB	anthracite	-TG, TK		
(17)	1K0 885 775 BA	padding for backrest	left		PR-N2K, N0U	(19)	1K0 885 805 CK	backrest cover (cloth)	left	1	PR-N2K+3NU
(17)	1K0 885 775 AP	padding for backrest	left	1	PR-N7F		02/06-05/06TZX	anthracite	-RZ		
(18)	1K0 885 776 CK	padding for backrest for vehicles without center armrest	right		PR-N4C+3NZ	(19)	1K0 885 805 FN	backrest cover (cloth)	left	1	PR-N2K+3NU+3T2
(18)	1K0 885 776 CM	padding for backrest for vehicles with center armrest	right		PR-N4C+3NU		06/06 TZX	anthracite	-RZ		
(18)	1K0 885 776 CL	padding for backrest for vehicles with center armrest	right		PR-N2K, N0U+3NU	20	1K0 885 806 GF	backrest cover (cloth) for vehicles with center armrest	right	1	PR-N4C+3NU+3Q6
(18)	1K0 885 776 CC	padding for backrest for vehicles with center armrest	right	1	PR-N7F+3NU		06/05-05/06UJD	anthracite	-HA		
-	7H0 881 621	clip (for repairs only)		X		(20)	1K0 885 806 LL	backrest cover (cloth) for vehicles with center armrest	right	1	PR-N4C+3NU+3T2
19	1K0 885 805 CG	backrest cover (cloth)	left	1	PR-N4C+3Q6		06/06 UJD	anthracite	-HA		
(19)	06/05-05/06UJD	anthracite	-HA			(20)	1K0 885 806 GE	backrest cover (cloth) for vehicles without center armrest	right	1	PR-N4C+3NZ+3Q6
(19)	1K0 885 805 FK	backrest cover (cloth)	left	1	PR-N4C+3T2		06/05-05/06UJD	anthracite	-HA		
(19)	06/06 UJD	anthracite	-HA			(20)	1K0 885 806 LK	backrest cover (cloth) for vehicles without center armrest	right	1	PR-N4C+3NZ+3T2
(19)	1K0 885 805 AH	backrest cover (cloth)	left	1	PR-N0U+3Q6		06/06 UJD	anthracite	-HA		
(19)	06/05-05/06RCK	anthracite/off-black	-JS			(20)	1K0 885 806 FE	backrest cover (cloth) for vehicles with center armrest	right	1	PR-N0U+3NU+3Q6
(19)	06/05-05/06RCL	art gray	-JT				06/05 RCK	anthracite/off-black	-JS		
(19)	06/05-05/06RCM	beige	-JU				06/05 RCL	art gray	-JT		
(19)	1K0 885 805 FE	backrest cover (cloth)	left	1	PR-N0U+3T2		06/05-05/06RCM	beige	-JU		
(19)	06/06 RCK	anthracite/off-black	-JS			(20)	1K0 885 806 LE	backrest cover (cloth) for vehicles with center armrest	right	1	PR-N0U+3NU+3T2
(19)	06/06 RCL	art gray	-JT				06/06 RCK	anthracite/off-black	-JS		
(19)	1K0 885 805 BT	backrest cover (leather/leatherette)	left	1	PR-N7F+3Q6		06/06 RCL	art gray	-JT		
	06/05-05/06JTB	anthracite	-TG, TK								

Model	Year	MG	SG	Illustration	Restrictions	UPD	22:10	04.12.2006		ETKA
GO	2007	8	85	885-70	Rabbit/GTI	597	USA			

Pos	Part Number	Name	Remarks	Qty	Model	Pos	Part Number	Name	Remarks	Qty	Model
(20)	1K0 885 806 FQ	backrest cover (leather/leatherette) for vehicles with center armrest	right	1	PR-N7F+3NU+ 3Q6		06/05 71N	anthracite	-HA, HB, HE, IG, JS, KG, KK, KL, RZ, TG, TK, VT, WT, RS, RT, IK, 28, 29, IR		
	06/05-05/06JTB	anthracite	-TG, TK								
(20)	1K0 885 806 LH	backrest cover (leather/leatherette) for vehicles with center armrest	right	1	PR-N7F+3NU+ 3Q6	23	1K0 886 985 A	belt guide	right	1	
	06/06 JTB	anthracite	-TG, TK				06/05 3U6	art gray	-HC, HD, JT, KH, IH		
							06/05 7G8	beige	-JU, KJ, TH, VU		
(20)	1K0 885 806 GK	backrest cover (cloth) for vehicles with center armrest	right	1	PR-N2K+3NU+ 3Q6		06/05 71N	anthracite	-HA, HB, HE, IG, JS, KG, KK, KL, RZ, TG, TK, VT, WT, RS, RT, IK, 28, 29, IR		
	02/06-05/06TZX	anthracite	-RZ								
(20)	1K0 885 806 LQ	backrest cover (cloth) for vehicles with center armrest	right	1	PR-N2K+3NU+ 3T2	(24)	1K4 885 703 CF	padding, side (cloth) for vehicles with side airbag	left rear	1	PR-N2K, N4C+ 4X4
	06/06 TZX	anthracite	-RZ				06/05 UJM	anthracite	-HA, HB, HE, KG, RZ, WT, RS, RT, 28, 29		
(21)	1K0 885 873 J	cushion between seats with cover	center	1	PR-N2K, N4C	(24)	1K4 885 703 CC	padding, side (cloth) for vehicles with side airbag	left rear	1	PR-NOU+4X4
	06/05 70T	anthracite	-KG, RZ, HA, HB, HE, WT, RS, RT, 28, 29				06/05 TQC	anthracite	-JS		
(21)	1K0 885 873 B	cushion between seats with cover	center	1	PR-NOU		06/05 TQD	art gray	-JT		
	06/05 7AA	anthracite	-JS				06/05-05/06TQE	beige	-JU		
	06/05 8AB	art gray	-JT			(24)	1K4 885 703 CD	side bolster (leather/leatherette) for vehicles with side airbag	left rear	1	PR-N7F+4X4
	06/05-05/069AC	beige	-JU				06/05 JTB	anthracite	-TG, TK, IG, IK, IR		
(21)	1K0 885 873 D	cushion between seats with cover	center	1	PR-N7F	(24)	1K4 885 704 CJ	padding, side (cloth) for vehicles with side airbag	right rear	1	PR-N2K, N4C+ 4X4
	06/05 74F	anthracite	-TG, TK, IG, IK, IR				06/05 UJM	anthracite	-HA, HB, HE, KG, RZ, WT, RS, RT, 28, 29		
22	1K0 886 201	cap		2	PR-4X4						
(23)	1K0 886 985	belt guide	left	1		(24)	1K4 885 704 CF	padding, side (cloth) for vehicles with side airbag	right rear	1	PR-NOU+4X4
	06/05 3U6	art gray	-HC, HD, JT, KH, IH								
	06/05 7G8	beige	-JU, KJ, TH, VU								

Model	Year	MG	SG	Illustration	Restrictions	UPD	22:10	04.12.2006		ETKA
GO	2007	8	85	885-70	Rabbit/GTI	597	USA			

Pos	Part Number	Name	Remarks	Qty	Model	Pos	Part Number	Name	Remarks	Qty	Model
	06/05 TQC	anthracite	-JS			36	1K0 886 920	guide with push button for head restraint, adjustable		2	
	06/05 TQD	art gray	-JT				06/05 3U6	art gray	-HC,HD,JT,KH, IH		
	06/05-05/06TQE	beige	-JU				06/05 7G8	beige	-JU,KJ,TH,VU		
(24)	1K4 885 704 CG	side bolster (leather/leatherette) for vehicles with side airbag	right	1	PR-N7F+4X4		06/05 71N	anthracite	-HA,HB,HE,IG, JS,KG,KK,KL, RZ,TG,TK,VT, WT,RS,RT,IK, 28,29,IR		
	06/05 JTB	anthracite	-TG,TK,IG,IK, IR								
26	N 023 002 5	hex. nut, self-locking	M6	2		(36)	1K0 886 920 A	guide for headrest, detachable		X	
27	N 105 072 01	fillister hd. screw	5X20	2			06/05 3U6	art gray	-HC,HD,JT,KH, IH		
(30)	1K0 885 081 AP	armrest (cloth)	center	1	PR-N2K,N4C		06/05 7G8	beige	-JU,KJ,TH,VU		
	06/05 70T	anthracite	-HA,HB,HE,KG, RZ,WT,RS,RT				06/05 71N	anthracite	-HA,HB,HE,IG, JS,KG,KK,KL, RZ,TG,TK,VT, WT,RS,RT,IK, 28,29,IR		
(30)	1K0 885 081 AA	armrest (cloth)	center	1	PR-N0U						
	06/06 7AA	anthracite	-JS			(37)	1K6 885 901 K	headrest with cover, ajustable (cloth)	left a. right	2	PR-N4C+3T2
	06/06 8AB	art gray	-JT				06/06 70T	anthracite	-KG,RS,RT,XF, ZS,ZT,GB,GC, HA,HB,HE		
	02/06-05/069AC	beige	-JU								
(30)	1K0 885 081 AG	armrest (leather)	center	1	PR-N7F						
	06/05 74F	anthracite	-TG,TK,IG,IK,			(37)	1K0 885 901 AC	headrest with cover, ajustable (cloth)	left a. right	2	PR-N0U+3Q6
(31)	1K0 885 961 A	bracket		1			06/05-05/067AA	anthracite	-JS		
	06/05 7G8	beige	-JU,KJ,TH,VU				06/05-05/068AB	art gray	-JT		
	06/05 71N	anthracite	-HA,HB,HC,HD, HE,IG,JS,JT, KG,KH,KK,KL, RZ,TG,TK,VT, WT,RS,RT,IK, 28,29,IR				06/05-05/069AC	beige	-JU		
32	N 910 595 01	hex socket head locating bolt, thread forming	M6GFX8X17,5	X		(37)	1K6 885 901 L	headrest with cover, ajustable (cloth)	left a. right	2	PR-N0U+3T2
							06/06 7AA	anthracite	-JS		
(33)	1K0 885 219	frame		1			06/06 8AB	art gray	-JT		
	06/05 71N	anthracite				(37)	1K0 885 901 AA	headrest with cover, detachable (leather/leatherette)	left a. right	2	PR-N7F+3Q6
34	3C0 885 243	trim		1			06/05 JTB	anthracite	-TG,TK,IG,IK,		
	06/05 9B9	satin black									

Model	Year	MG	SG	Illustration	Restrictions	UPD	22:10	04.12.2006		ETKA
GO	2007	8	85	885-70	Rabbit/GTI	597	USA			

Pos	Part Number	Name	Remarks	Qty	Model	Pos	Part Number	Name	Remarks	Qty	Model
(37)	1K6 885 901 K	headrest with cover, adjustable (cloth)	left a. right	2	PR-N2K+3T2	53	1K0 886 193 C	clamp		1	
	06/06 70T	anthracite	-RZ			54	N 908 163 01	innensechsrund-linsenschraube	M6X18-W	1	
(38)	1K6 885 902	headrest with cover, adjustable (cloth)	center	1	PR-N4C+3T2	55	8P0 886 197	cap	center	1	
	06/06 70T	anthracite	-KG, RS, RT, XF, ZS, ZT, GB, GC, HA, HB, HE				06/05 4PK	sabre (black)			
						58	D 001 200	universal adhesive	600G	1	
(38)	1K0 885 902 Q	headrest with cover, adjustable (cloth)	center	1	PR-N0U+3Q6	75	1K0 885 215	ski bag (leatherette)		1	PR-3NU+3X5
	06/05-05/067AA	anthracite	-JS				06/05 9B9	satin black			
	06/05-05/068AB	art gray	-JT								
	06/05-05/069AC	beige	-JU								
(38)	1K6 885 902 A	headrest with cover, adjustable (cloth)	center	1	PR-N0U+3T2						
	06/06 7AA	anthracite	-JS								
	06/06 8AB	art gray	-JT								
(38)	1K0 885 902 M	headrest with cover, detachable (leather/leatherette)	center	1	PR-N7F+3Q6						
	06/05 JTB	anthracite	-TG, TK, IG, IK,								
(38)	1K6 885 902	headrest with cover, adjustable (cloth)	center	1	PR-N2K+3T2						
	02/06 70T	anthracite	-RZ								
46	N 910 607 01	washer	6.4X13X5	1	PR-3B7						
47	1K6 887 269	bracket	outer	2	PR-3B7						
(47)	8E9 887 269 A	bracket	center	1	PR-3B7						
48	N 104 165 01	screw, csk.	M6X22	3	PR-3B7						
49	443 887 301 C	cap	outer	2	PR-3B7						
	06/05 4PK	sabre (black)									
(49)	8E9 887 301	cap	center	1	PR-3B7						
	06/05 4PK	sabre (black)									
52	1K0 886 177 D	central mounting for split backrest		1							



ETKA

Model	Year	MG	SG	Illustration	Restrictions	UPD	22:11	04.12.2006
GO	2007	8	98	898-00R	Rabbit/GTI	597	USA	

Pos	Part Number	Name	Remarks	Qty	Model
-	>>1K0 898 053	mounting parts for seat height adjustment comprising:		1	