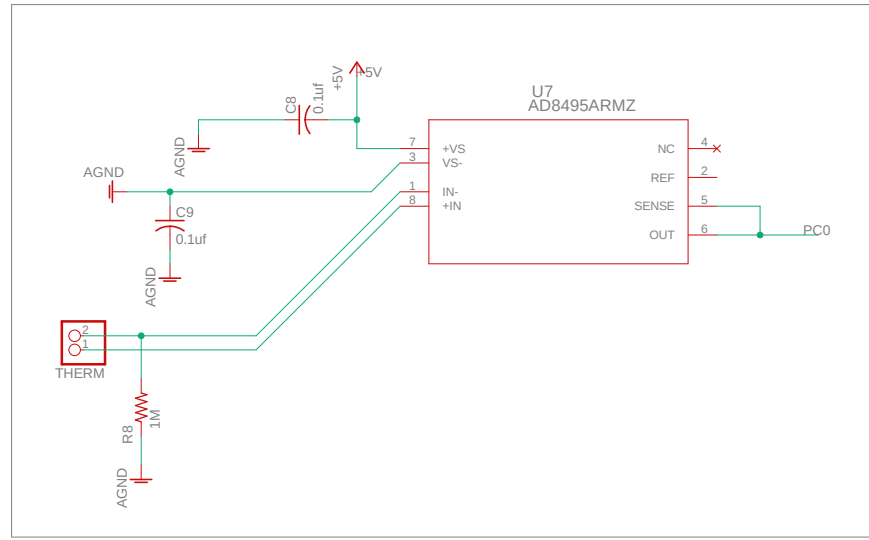
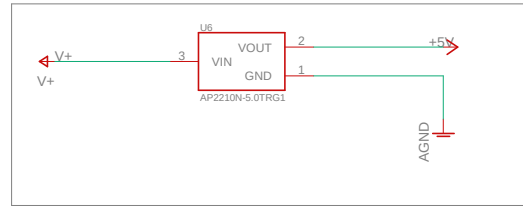


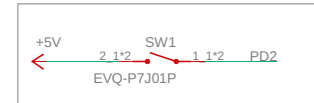
THERMOCOUPLE AMPLIFICATION



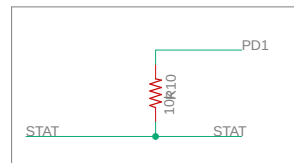
5V RAIL



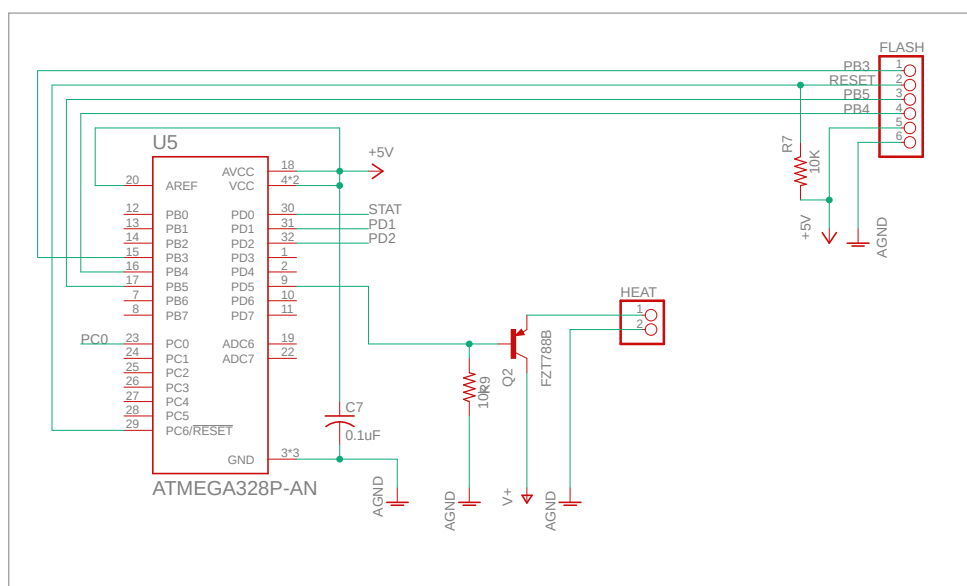
MAIN SWITCH



CHARGE STATUS



MICROCONTROLLER



BATTERY MANAGEMENT

