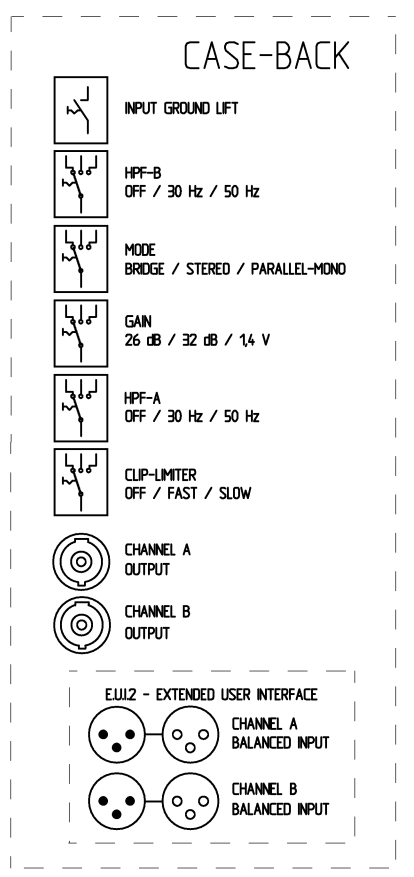
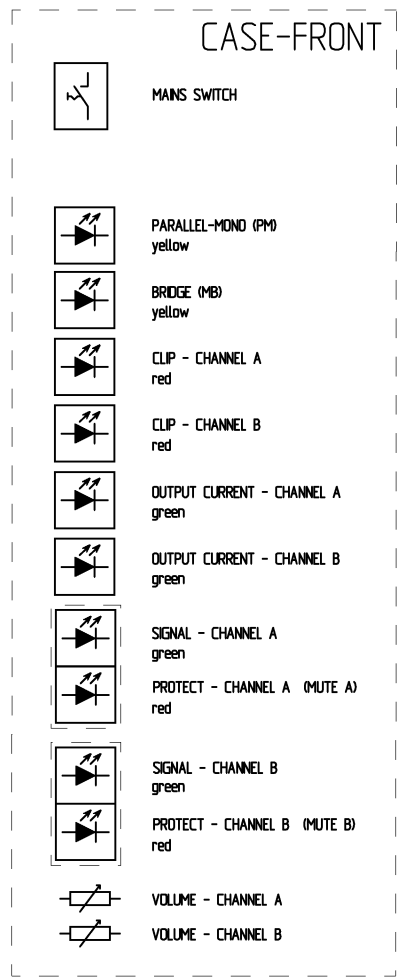
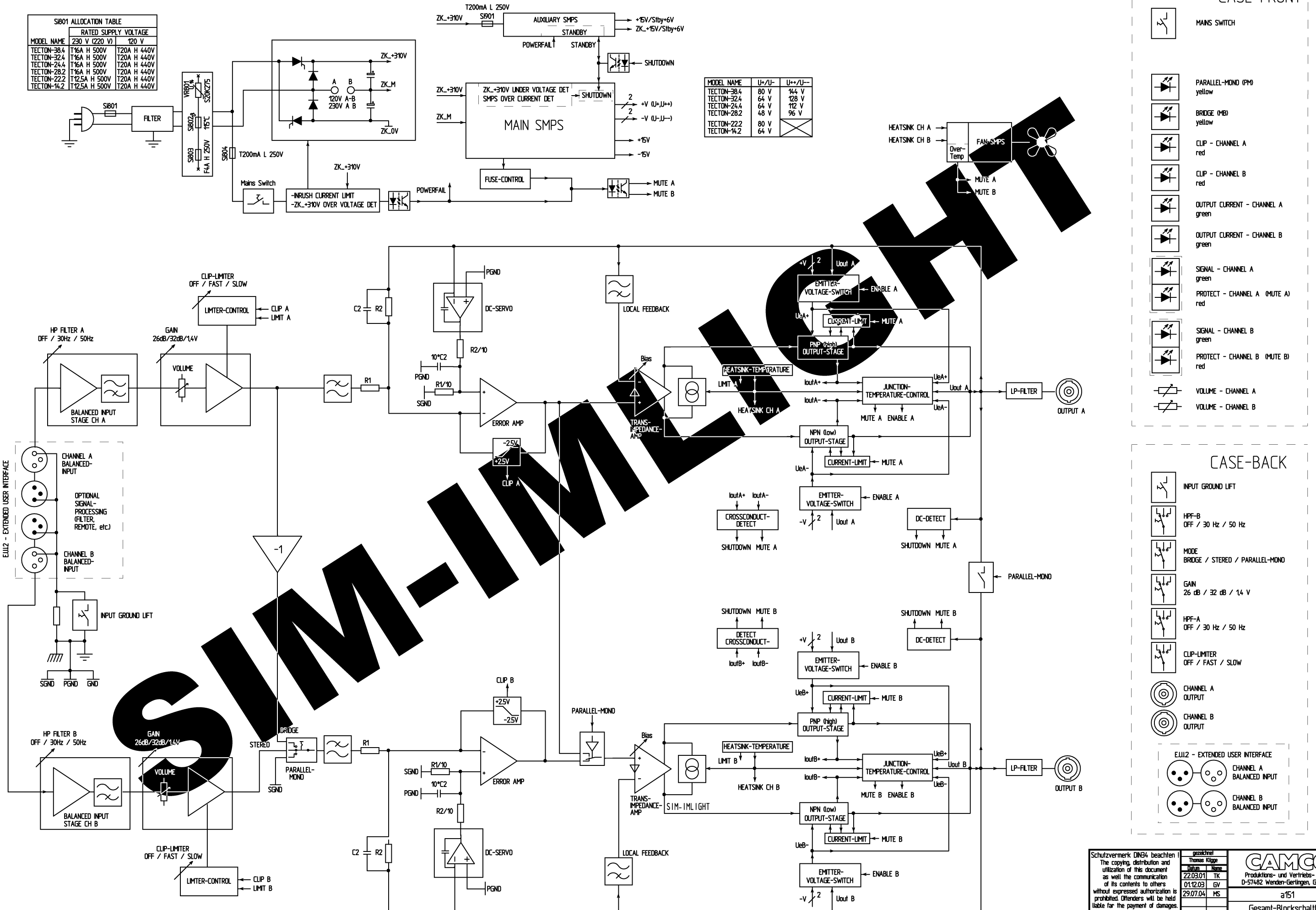


S1801 ALLOCATION TABLE		
MODEL NAME	RATED SUPPLY VOLTAGE	
	230 V (220 V)	120 V
TECTON-38.4	T16A H 500V	T20A H 440V
TECTON-32.4	T16A H 500V	T20A H 440V
TECTON-24.4	T16A H 500V	T20A H 440V
TECTON-28.2	T16A H 500V	T20A H 440V
TECTON-22.2	T12.5A H 500V	T20A H 440V
TECTON-14.2	T12.5A H 500V	T20A H 440V

MODEL NAME	U+/U-	U++/U--
TECTON-38.4	80 V	144 V
TECTON-32.4	64 V	128 V
TECTON-24.4	64 V	112 V
TECTON-28.2	48 V	96 V
TECTON-22.2	80 V	
TECTON-14.2	64 V	



Schutzvermerk DIN84 beachten!
The copying, distribution and utilization of this document as well as the communication of its contents to others without expressed authorization is prohibited. Offenders will be held liable for the payment of damages. All rights reserved in the event of the grant of a patent, utility model or ornamental design registration.

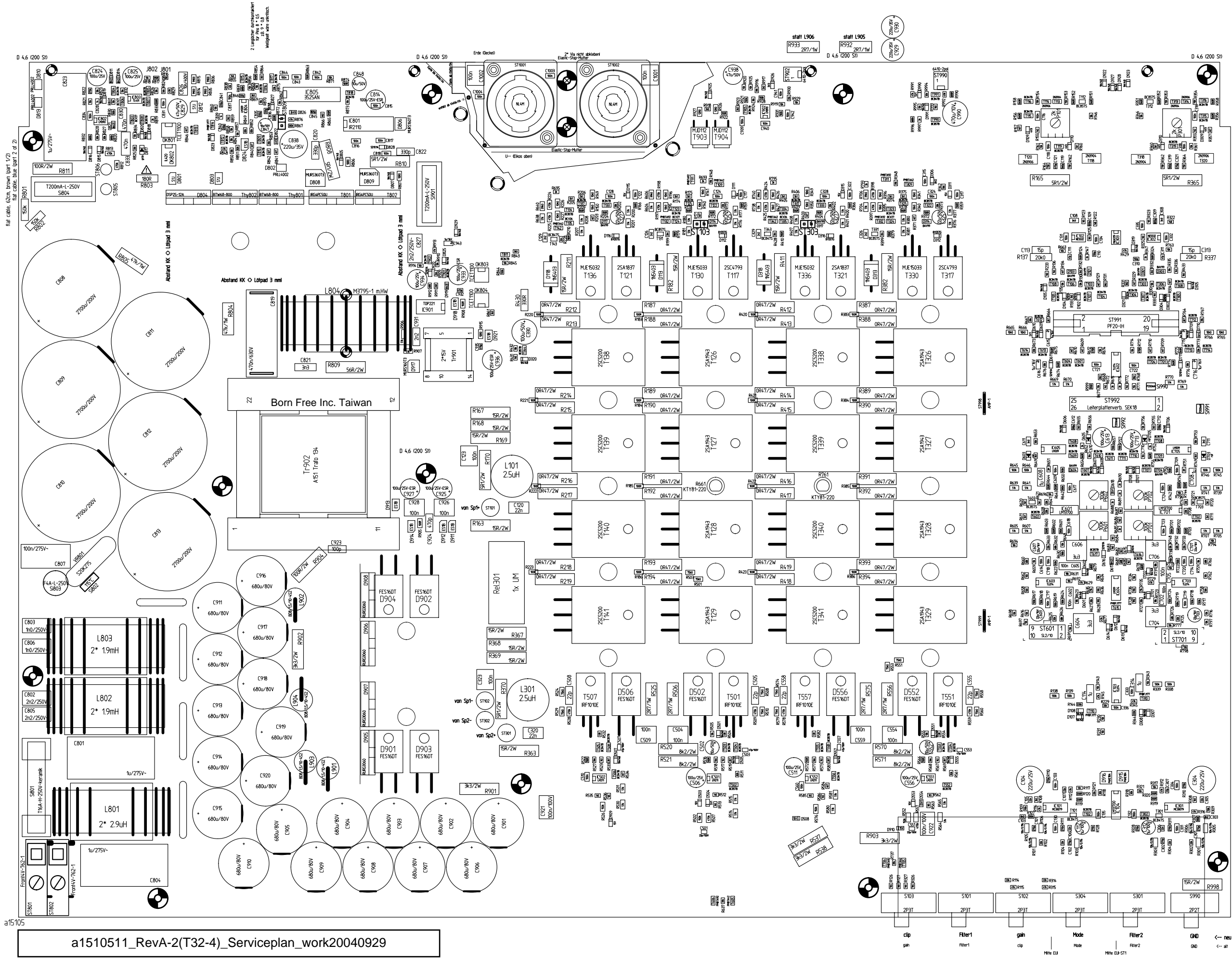
gezeichnet	Thomas Kluge
gezeichnet	Thomas Kluge
22.03.01	TK
01.12.03	GV
29.07.04	MS

CAMCO
Produktions- und Vertriebs-GmbH
D-57482 Wenden-Gertlingen, Germany

a151

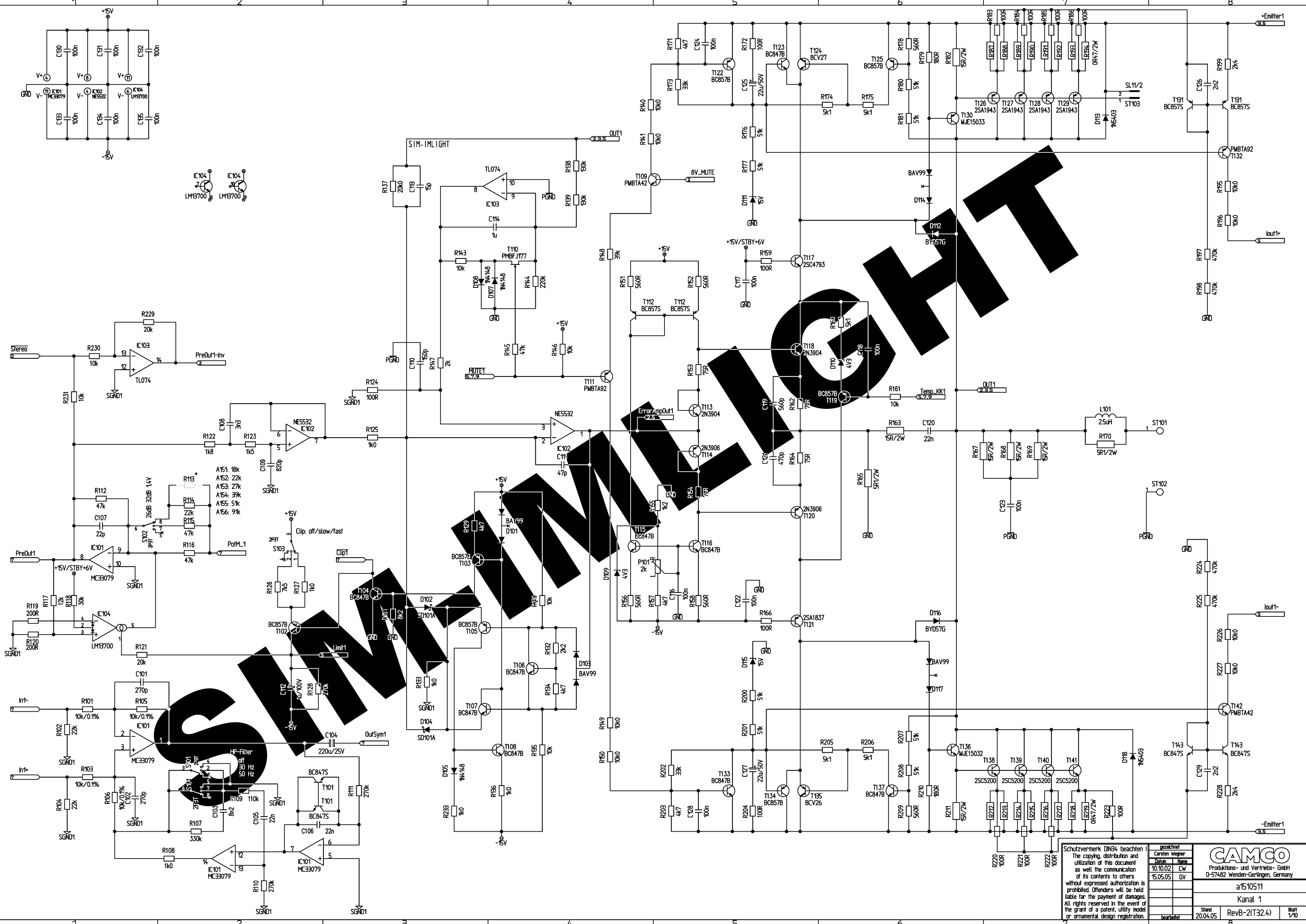
Gesamt-Blockschaltbild

Stand 28.07.04 alle Varianten Blatt 11/11



a1510511_RevA-2(T32-4)_Serviceplan_work20040929

Schutzvermerk DIN34 beachten!
 The copying, distribution and utilization of this document as well as the communication of its contents to others without expressed authorization is prohibited. Offenders will be held liable for the payment of damages. All rights reserved in the event of the grant of a patent, utility model or ornamental design registration.



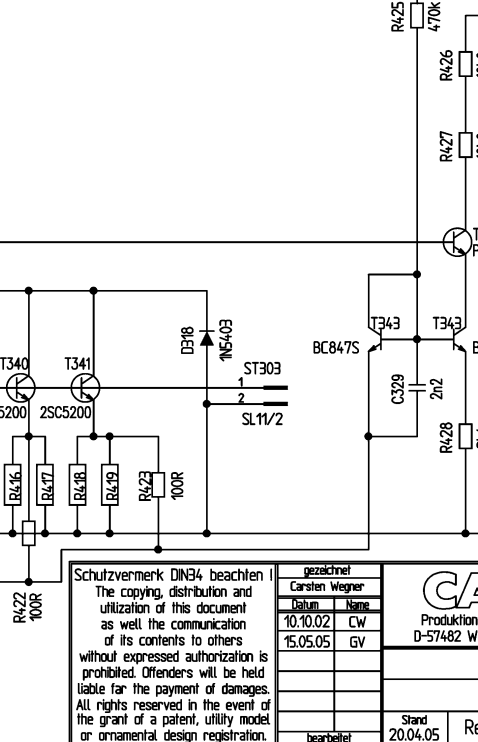
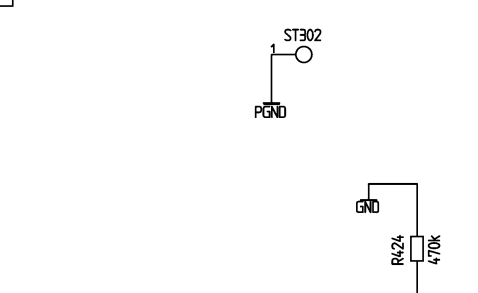
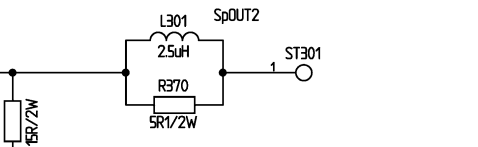
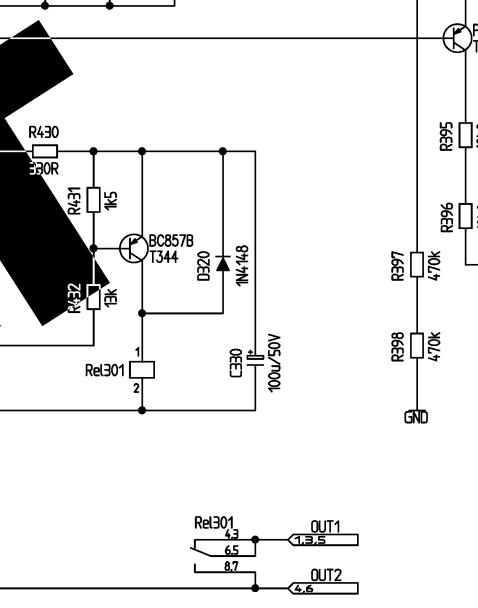
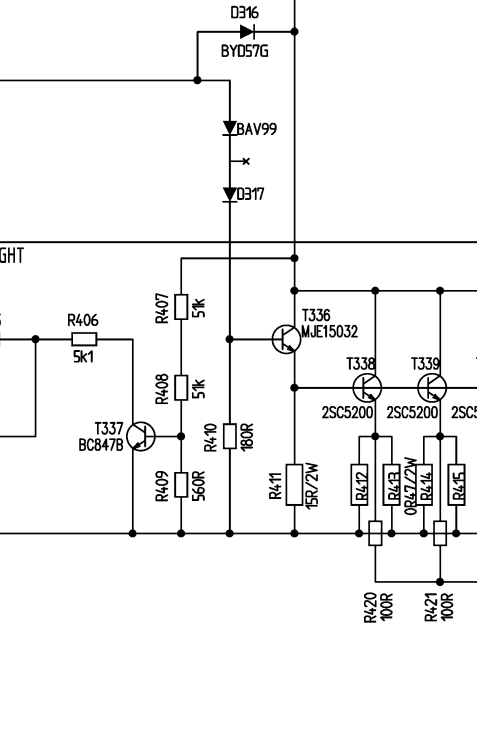
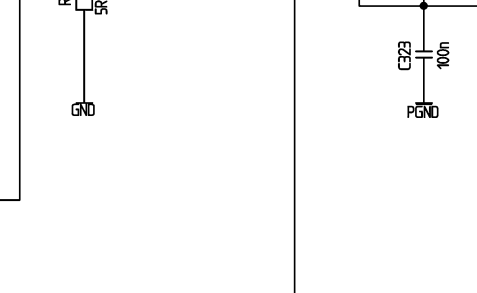
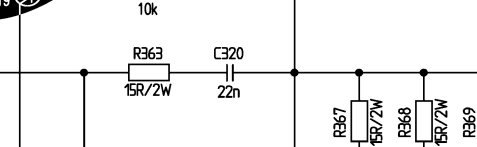
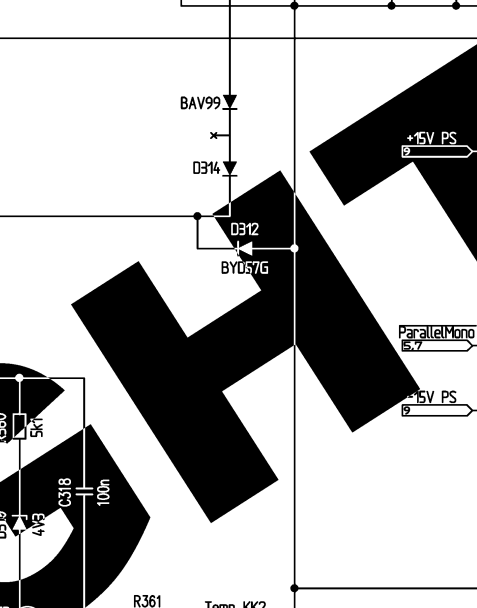
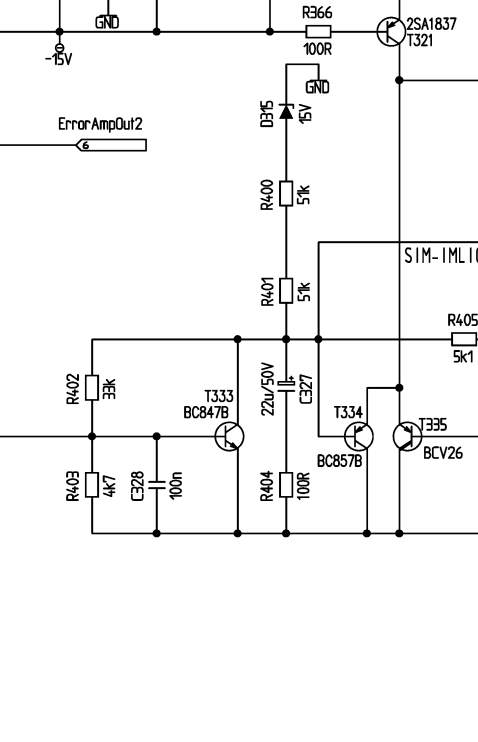
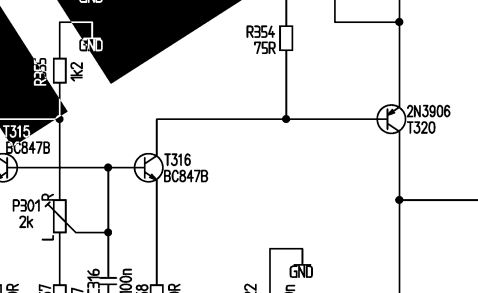
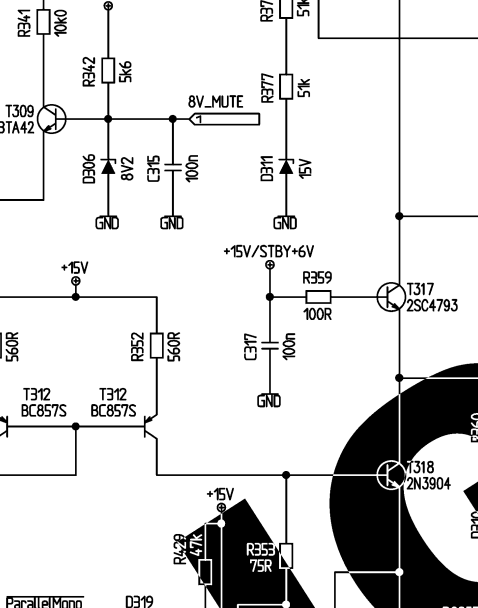
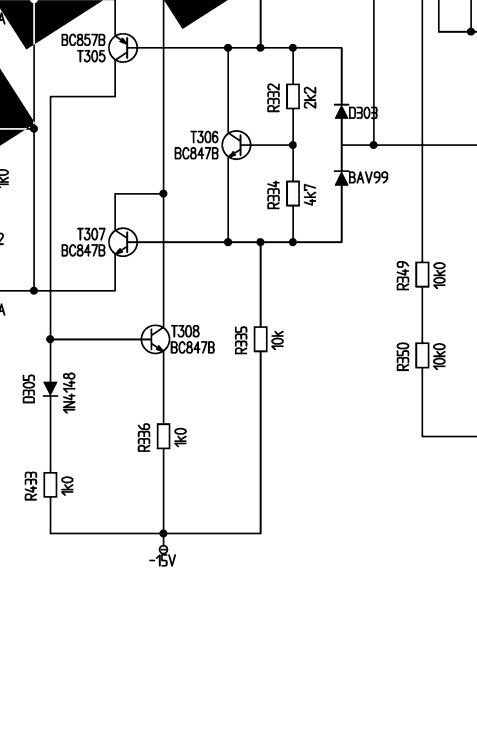
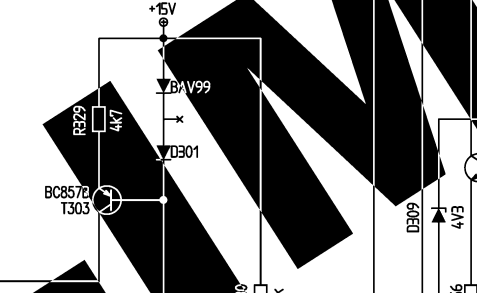
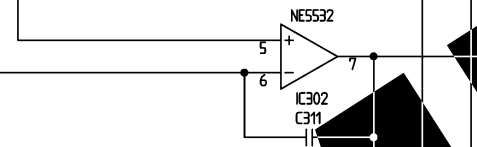
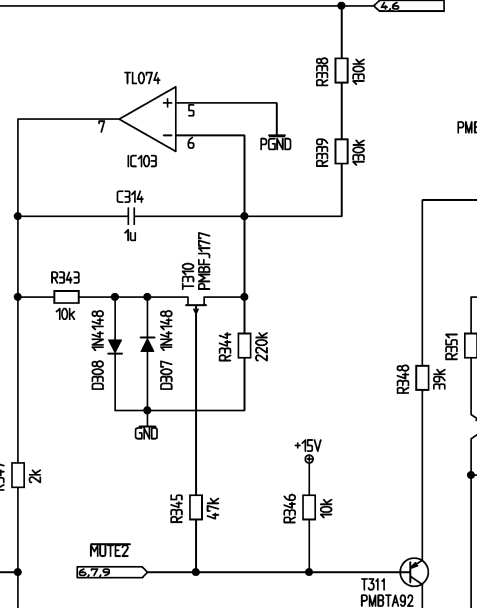
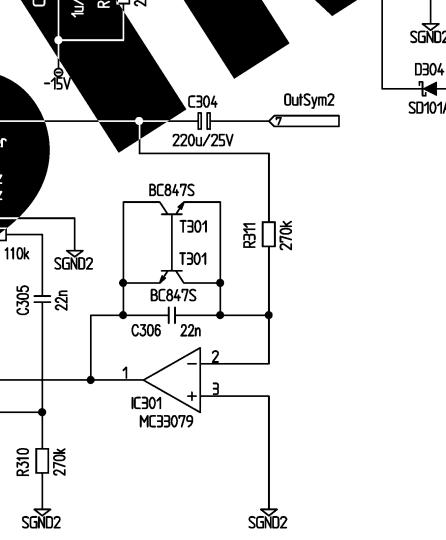
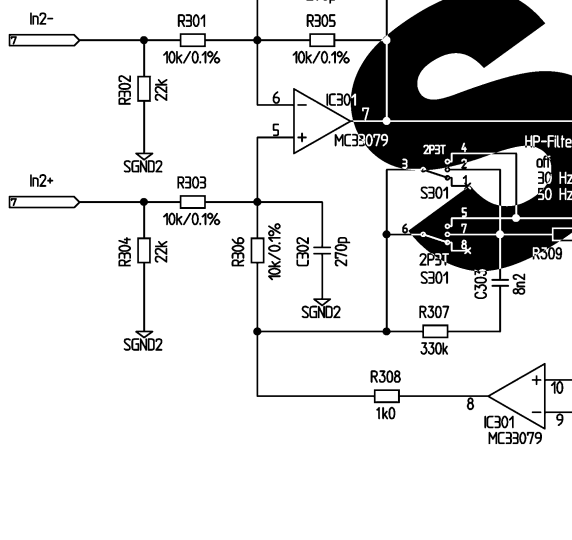
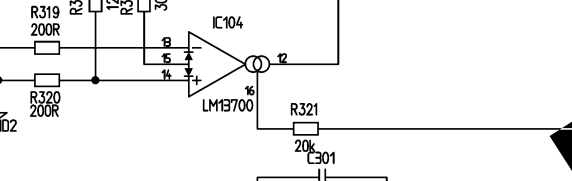
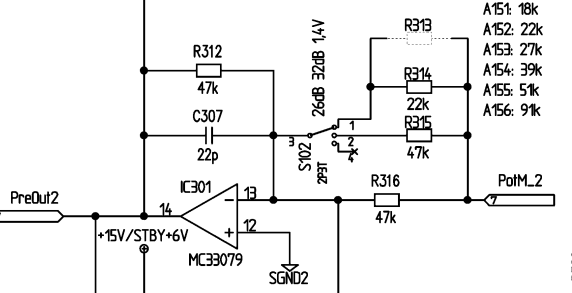
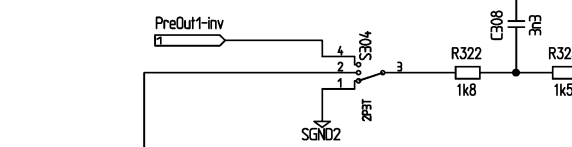
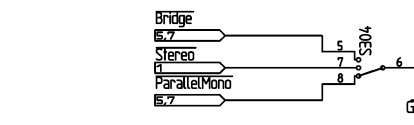
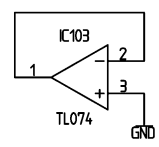
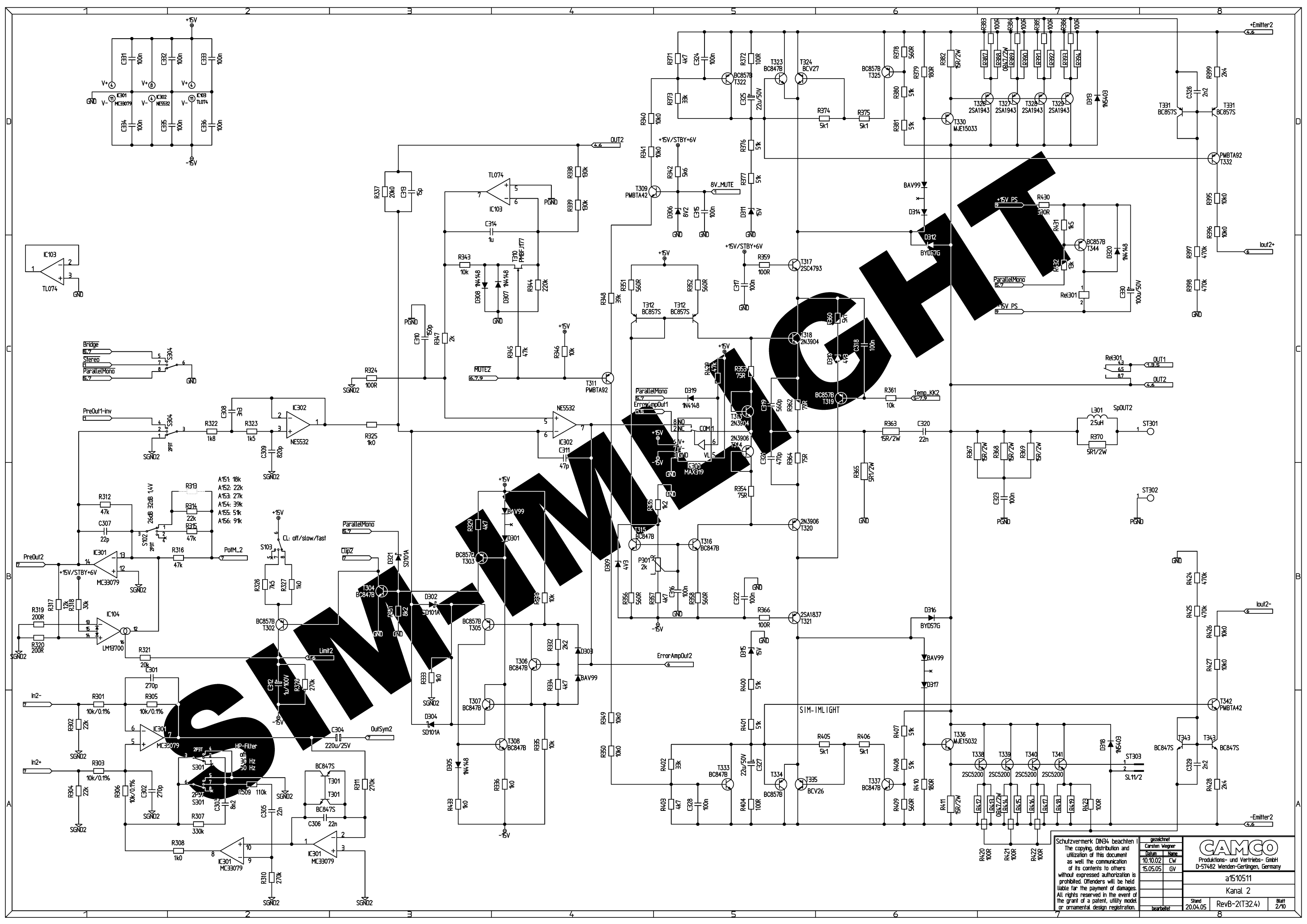
Schutzvermerk DIN34 beachten!
 The copying, distribution and utilization of this document as well as the communication of its contents to others without expressed authorization is prohibited. Offenders will be held liable for the payment of damages. All rights reserved in the event of the grant of a patent, utility model or ornamental design registration.

gezeichnet	Carsten Wagner
Datum	10.10.02
Blatt	CW
Rev	15.05.05
GV	

CAMCO
 Produktions- und Vertriebs- GmbH
 D-57482 Wenden-Gerlingen, Germany

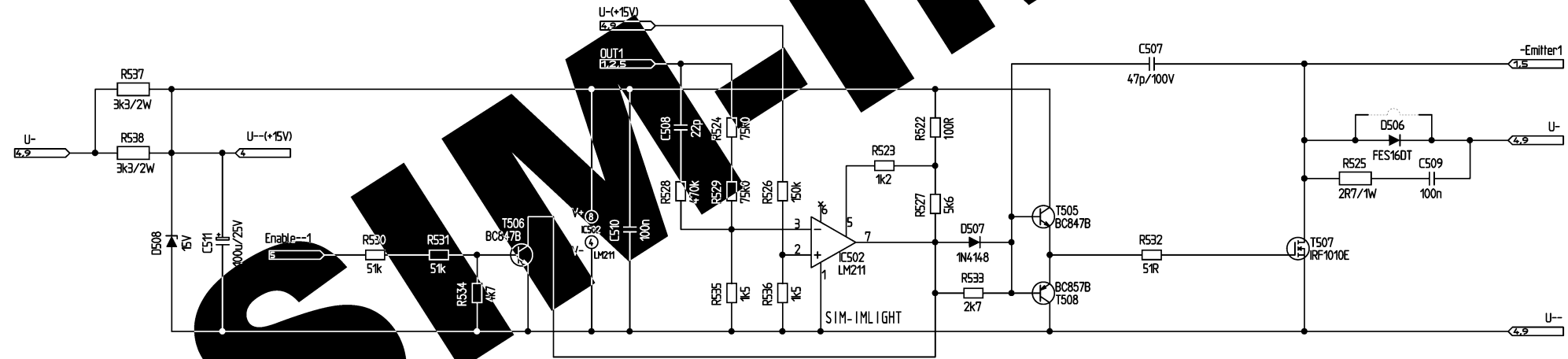
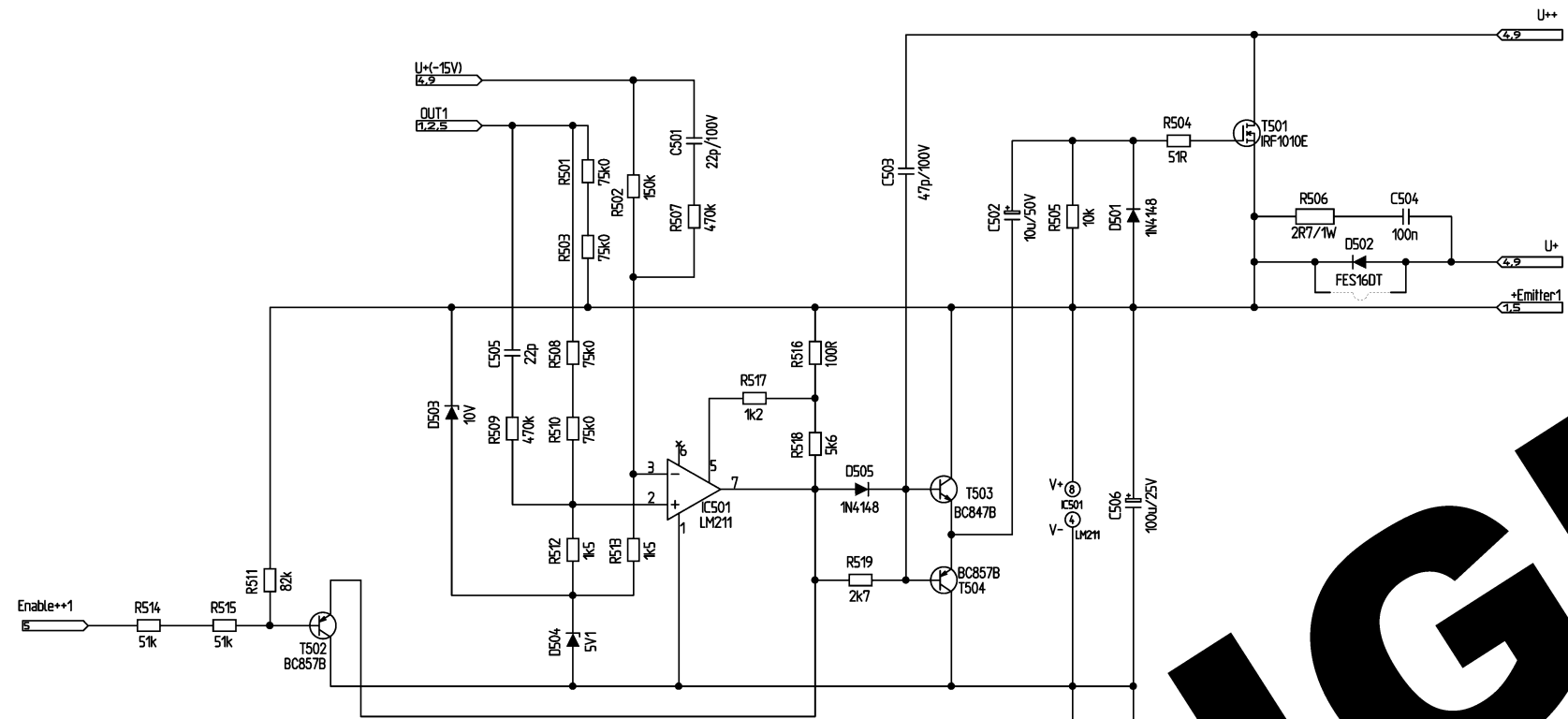
a1510511
 Kanal 1

Stand	20.04.05	RevB-2(T32.4)	Blatt	1/10
-------	----------	---------------	-------	------




Schutzvermerk DIN3 beachten!
 The copying, distribution and utilization of this document as well as the communication of its contents to others without expressed authorization is prohibited. Offenders will be held liable for the payment of damages. All rights reserved in the event of the grant of a patent, utility model or ornamental design registration.

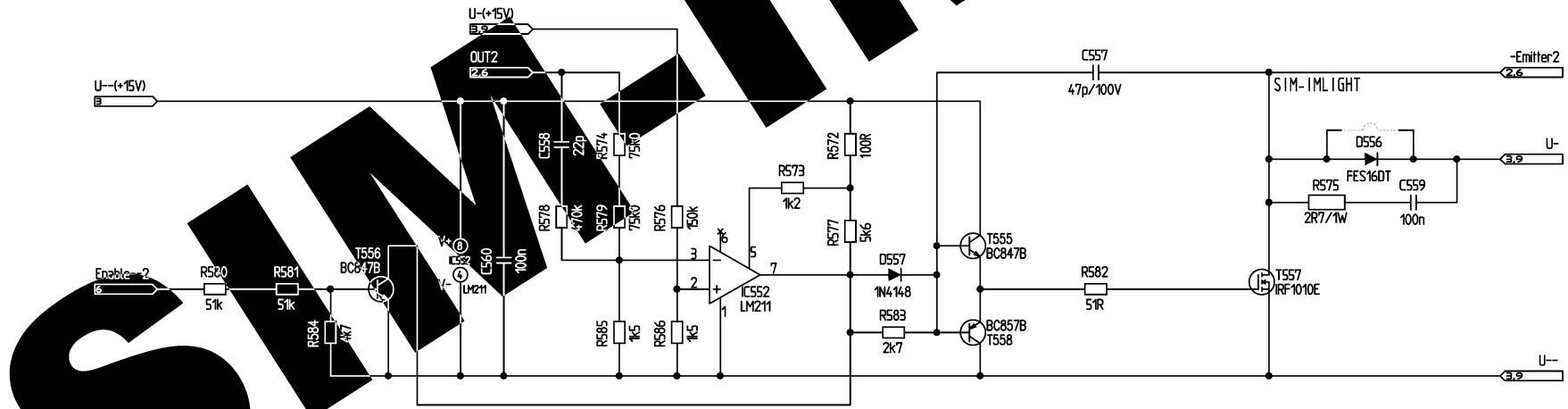
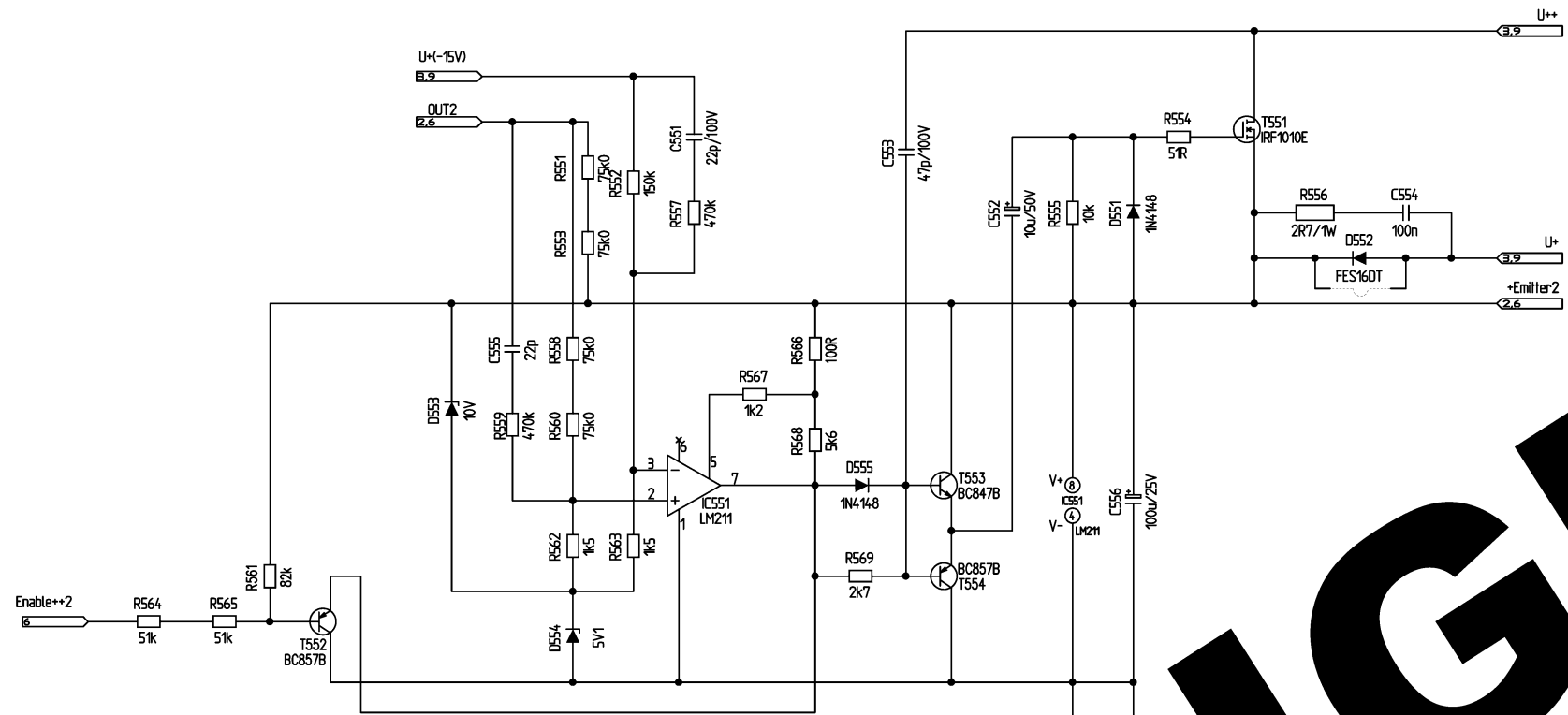
gezeichnet Carsten Wagner	gezeichnet Carsten Wagner	CAMCO Produktions- und Vertriebs-GmbH D-57482 Wenden-Gertlingen, Germany
Datum 10.10.02	Blatt 15.05.05	
gezeichnet 15.05.05	Blatt 15.05.05	a1510511
gezeichnet 15.05.05	Blatt 15.05.05	Kanal 2
gezeichnet 15.05.05	Blatt 15.05.05	RevB-2(132.4)
gezeichnet 15.05.05	Blatt 15.05.05	Blatt 2/10



A155, A156: all unplaced, 2 short placed


SIM-IMMLIGHT

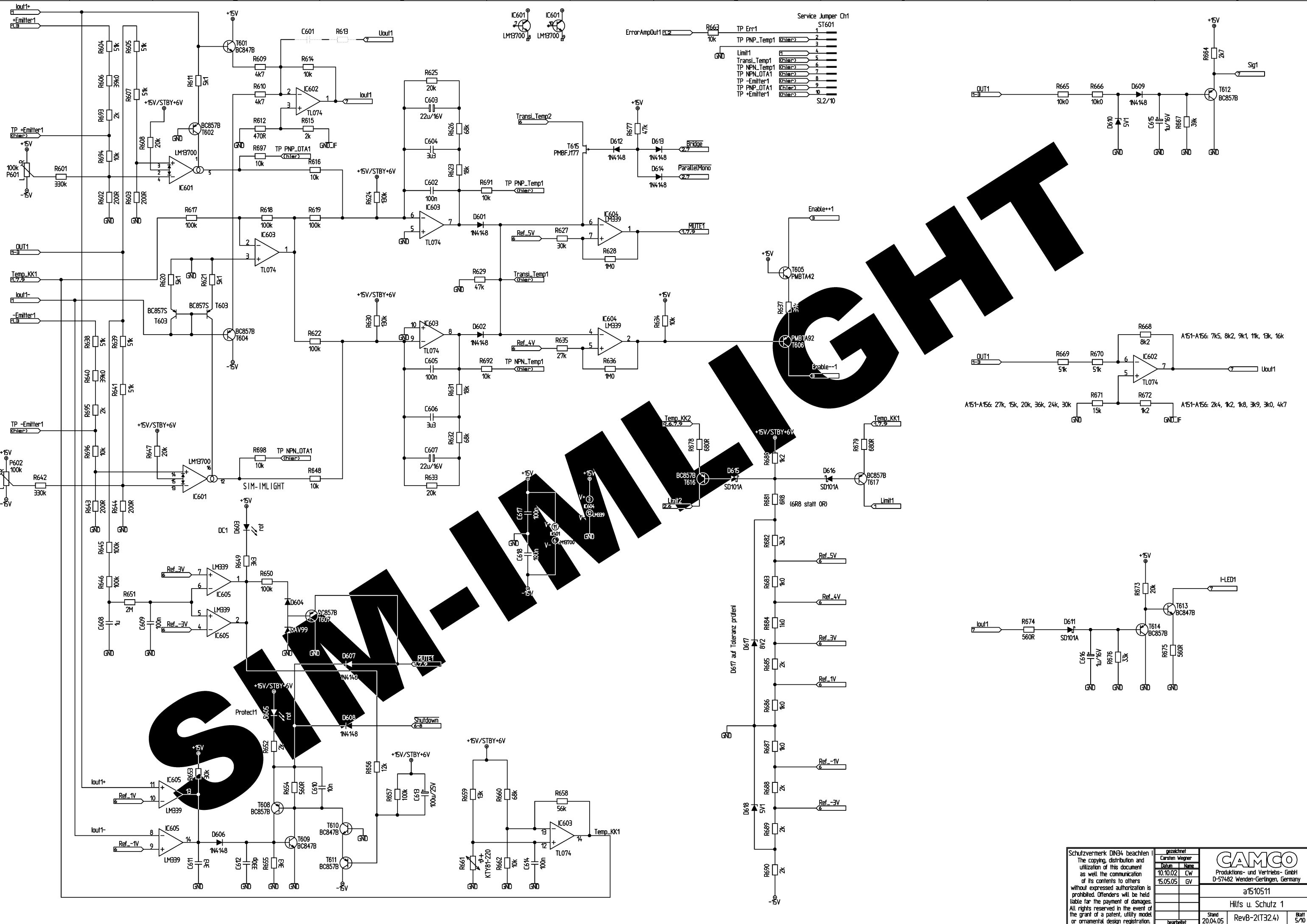
Schutzvermerk DIN34 beachten! The copying, distribution and utilization of this document as well as the communication of its contents to others without expressed authorization is prohibited. Offenders will be held liable for the payment of damages. All rights reserved in the event of the grant of a patent, utility model or ornamental design registration.		gezeichnet Carsten Wegner	 Produktions- und Vertriebs- GmbH D-57482 Wenden-Gerlingen, Germany	
Datum	10.10.02	Nr.		
bearbeitet	15.05.05	GV		a1510511
				EmitterBusse 1
Stand	20.04.05	RevB-2(T32.4)		Blatt 3/10

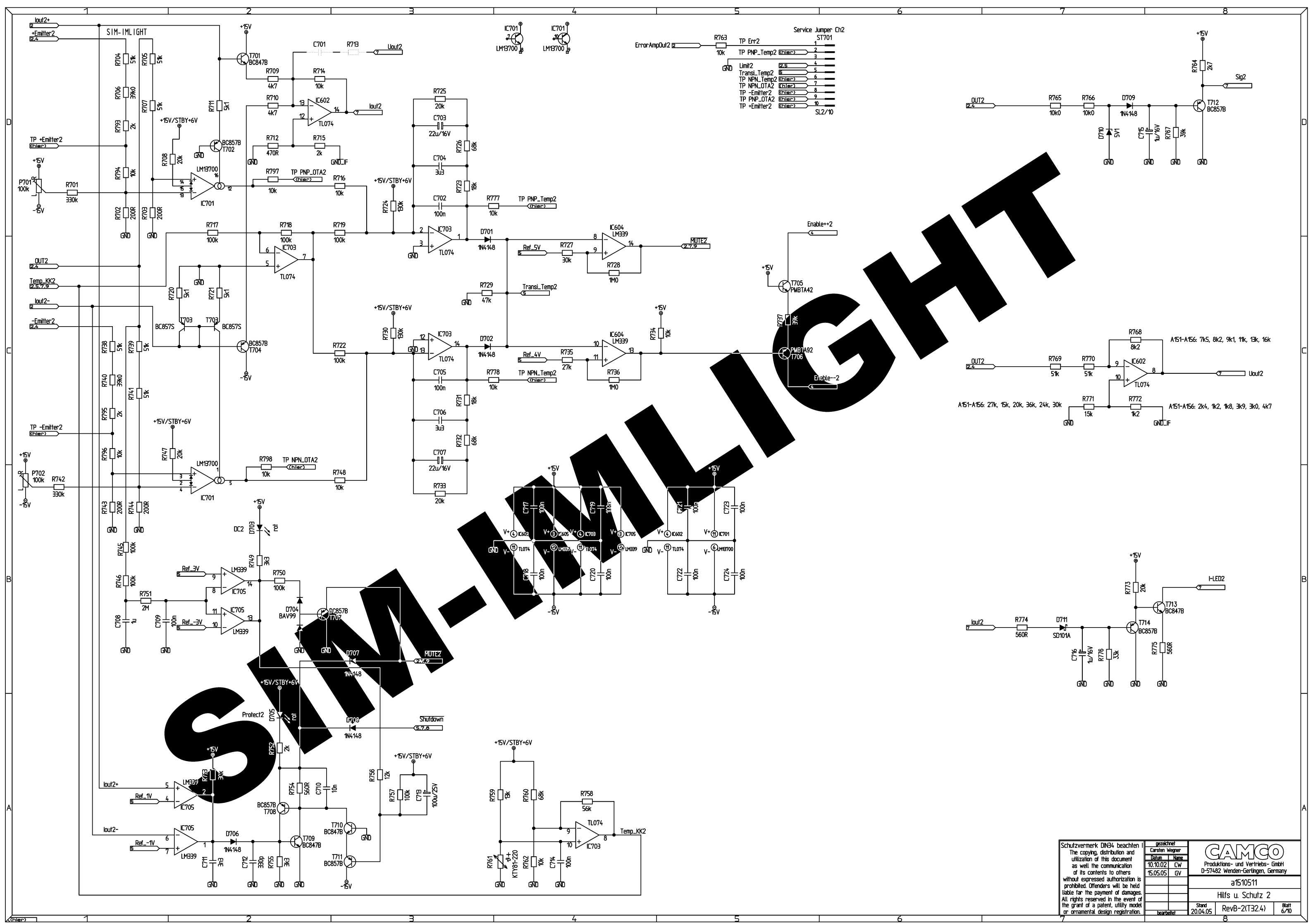



A155, A156: all unplaced, 2 short placed

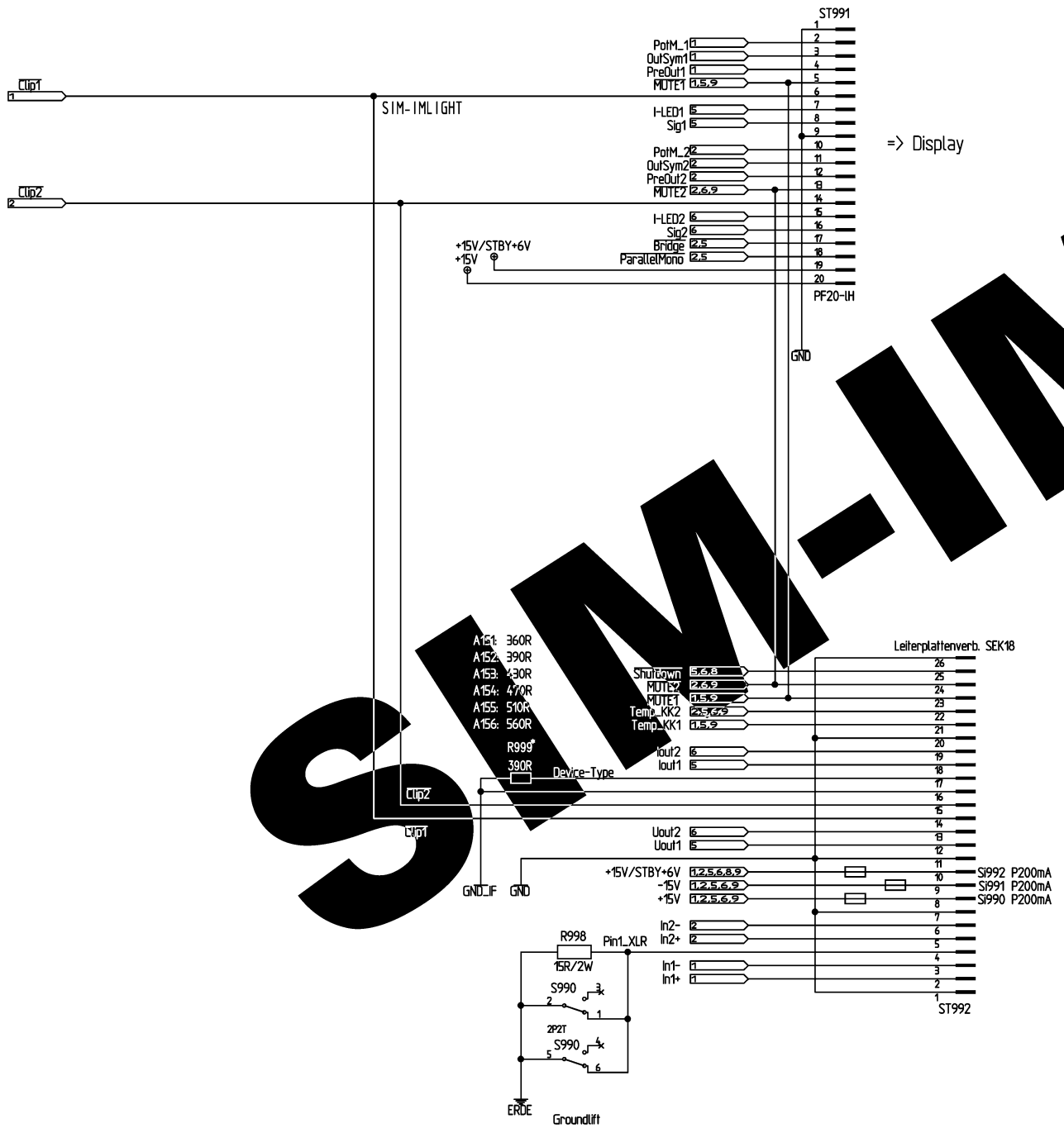
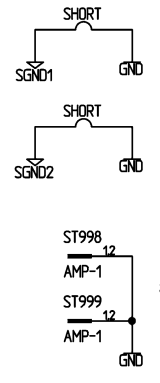
SIM-IMMLIGHT

Schutzvermerk DIN34 beachten! The copying, distribution and utilization of this document as well as the communication of its contents to others without expressed authorization is prohibited. Offenders will be held liable for the payment of damages. All rights reserved in the event of the grant of a patent, utility model or ornamental design registration.		gezeichnet Carsten Wegner	 Produktions- und Vertriebs- GmbH D-57482 Wenden-Gerlingen, Germany	
Datum	10.10.02	Nr.		
bearbeitet	15.05.05	GV		
		a1510511		
		EmitterBusse 2		
Stand	20.04.05	RevB-2(T32.4)	Blatt 4/10	

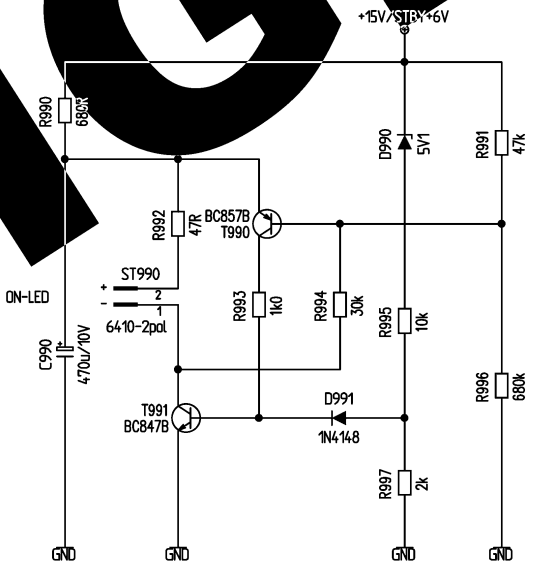




Schutzvermerk DIN34 beachten! The copying, distribution and utilization of this document as well as the communication of its contents to others without expressed authorization is prohibited. Offenders will be held liable for the payment of damages. All rights reserved in the event of the grant of a patent, utility model or ornamental design registration.		gezeichnet Carsten Wegner	 Produktions- und Vertriebs- GmbH D-57482 Wenden-Gerlingen, Germany a1510511 Hilfs u. Schutz 2
		Datum 10.10.02 CW 15.05.05 GV	
Stand 20.04.05	RevB-2(T32.4)	Blatt 6/10	

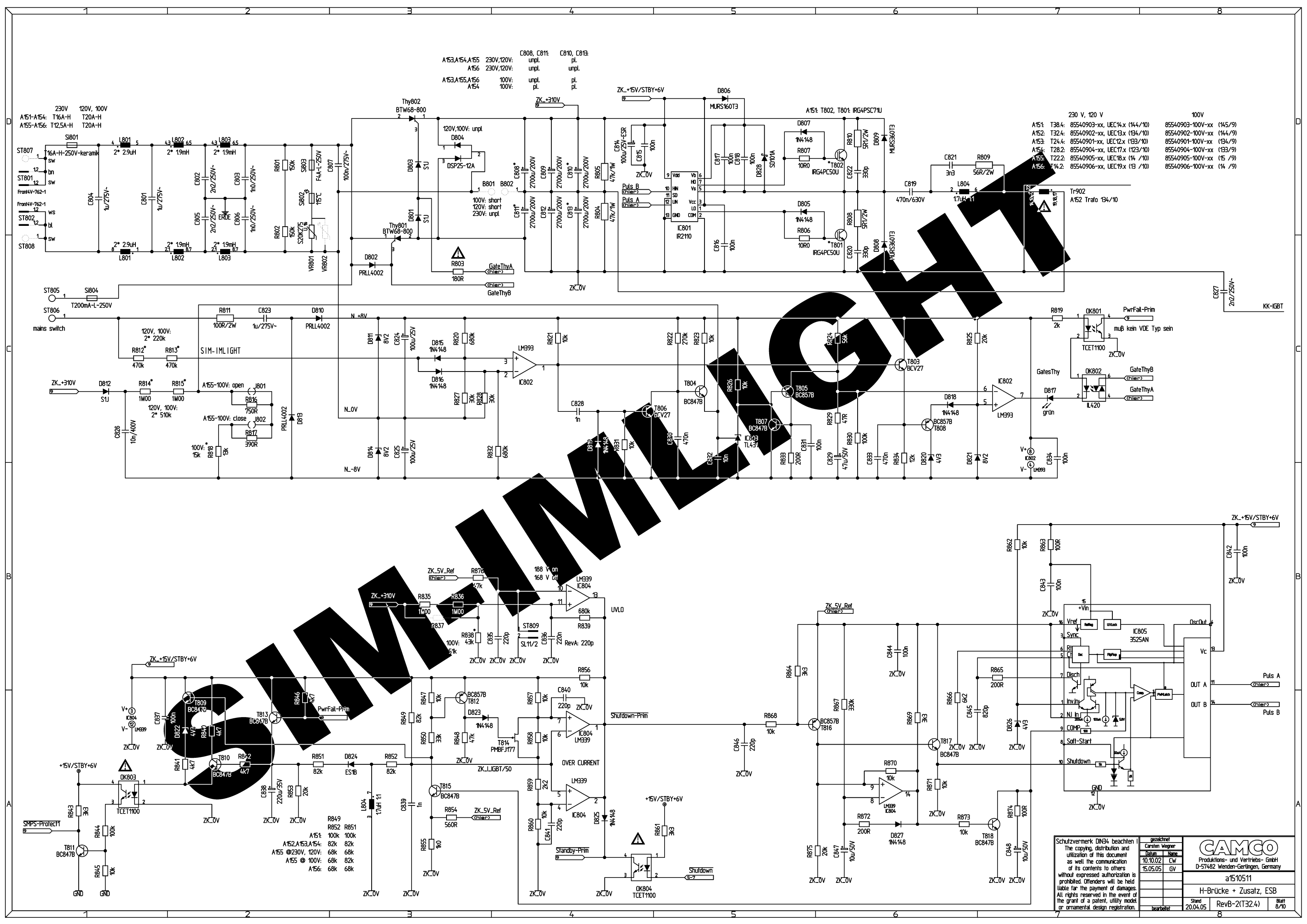


=> Display



SIM-IMMLIGHT

Schutzvermerk DIN34 beachten! The copying, distribution and utilization of this document as well as the communication of its contents to others without expressed authorization is prohibited. Offenders will be held liable for the payment of damages. All rights reserved in the event of the grant of a patent, utility model or ornamental design registration.		gezeichnet Carsten Wegner	 Produktions- und Vertriebs-GmbH D-57482 Wenden-Gerlingen, Germany						
<table border="1"> <tr> <th>Datum</th> <th>Name</th> </tr> <tr> <td>10.10.02</td> <td>CW</td> </tr> <tr> <td>15.05.05</td> <td>GV</td> </tr> </table>		Datum			Name	10.10.02	CW	15.05.05	GV
Datum	Name								
10.10.02	CW								
15.05.05	GV								
DisplayCon / EUI		Stand 20.04.05	RevB-2(T32.4)	Blatt 7/10					



C808, C811 C810, C813
 A153, A154, A155 230V, 120V: unpl. pt. unpl.
 A156 230V, 120V: unpl. pt. unpl.
 A153, A155, A156 100V: unpl. pt. unpl.

230 V, 120 V
 A151: T38.4: 85540903-xx, UEC14.x (144/10)
 A152: T32.4: 85540902-xx, UEC13.x (134/10)
 A153: T24.4: 85540901-xx, UEC12.x (123/10)
 A154: T28.2: 85540904-xx, UEC17.x (123/10)
 A155: T22.2: 85540905-xx, UEC18.x (14 /10)
 A156: T14.2: 85540906-xx, UEC19.x (13 /10)

100V
 85540903-100V-xx (145/9)
 85540902-100V-xx (144/9)
 85540901-100V-xx (134/9)
 85540904-100V-xx (133/9)
 85540905-100V-xx (15 /9)
 85540906-100V-xx (14 /9)

SIMULINK

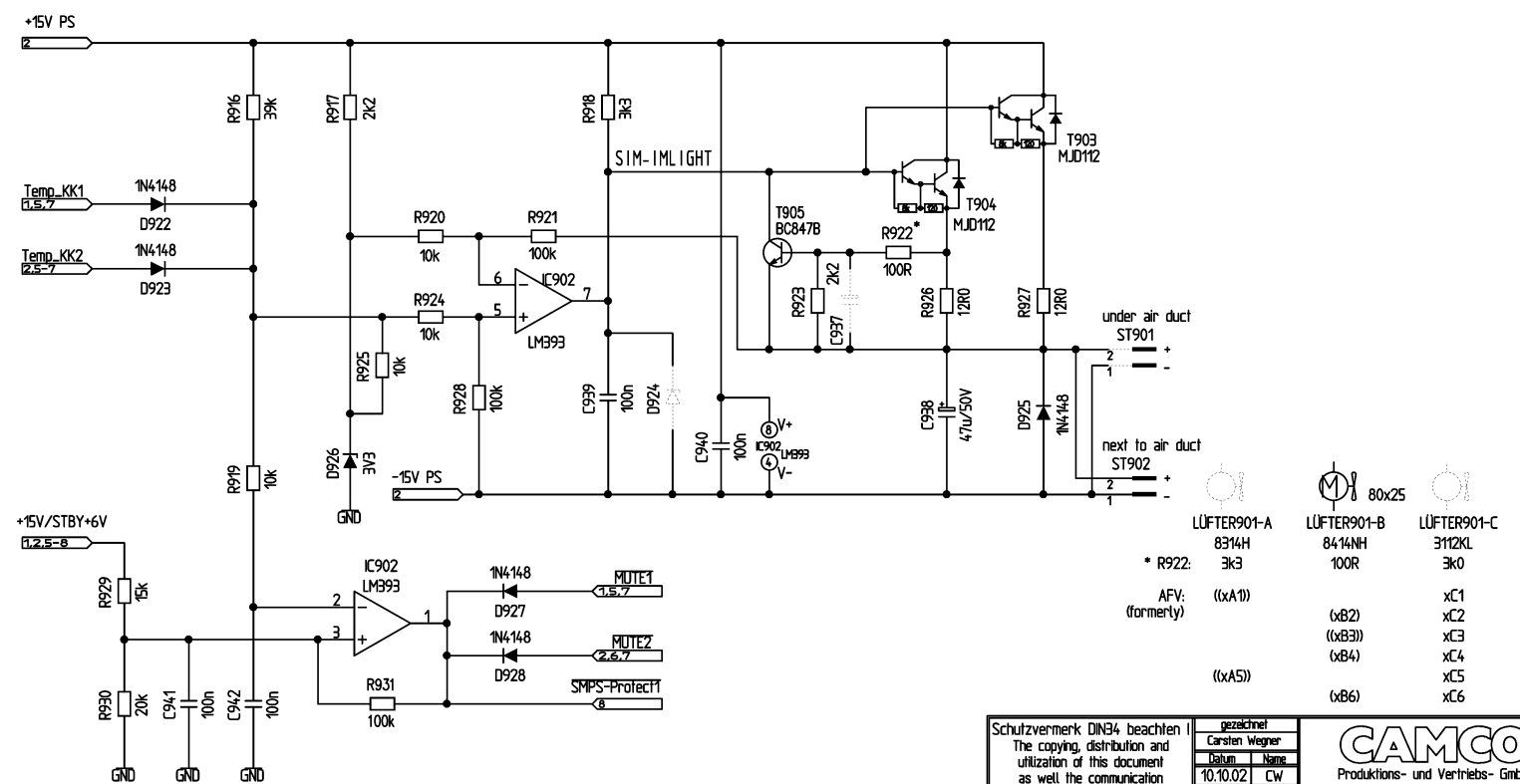
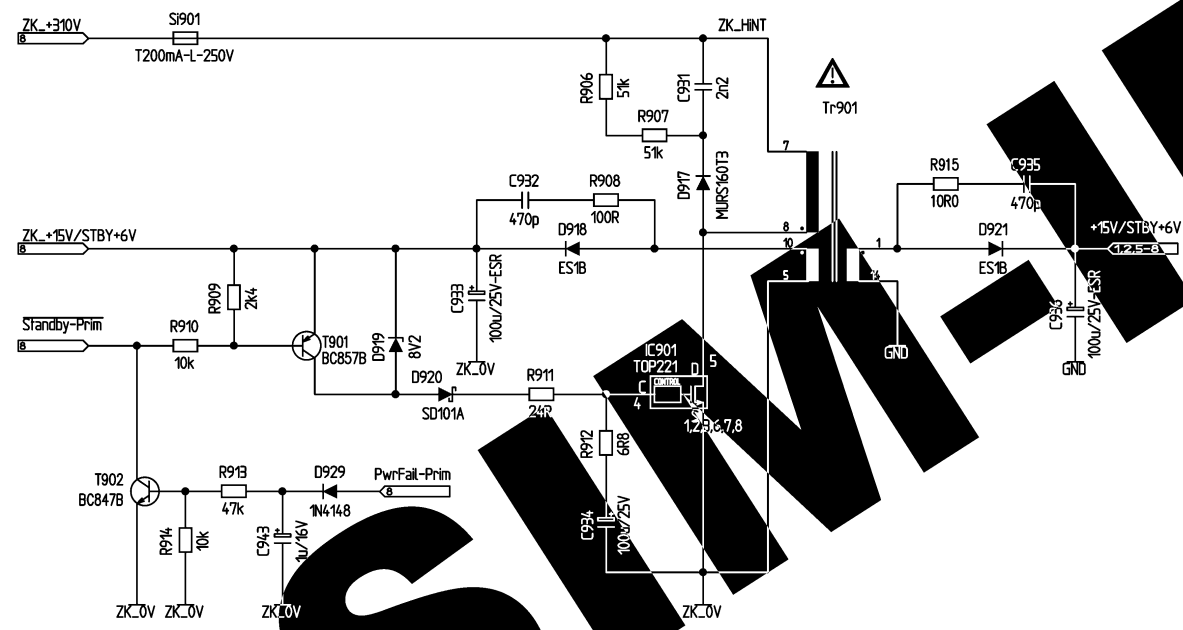
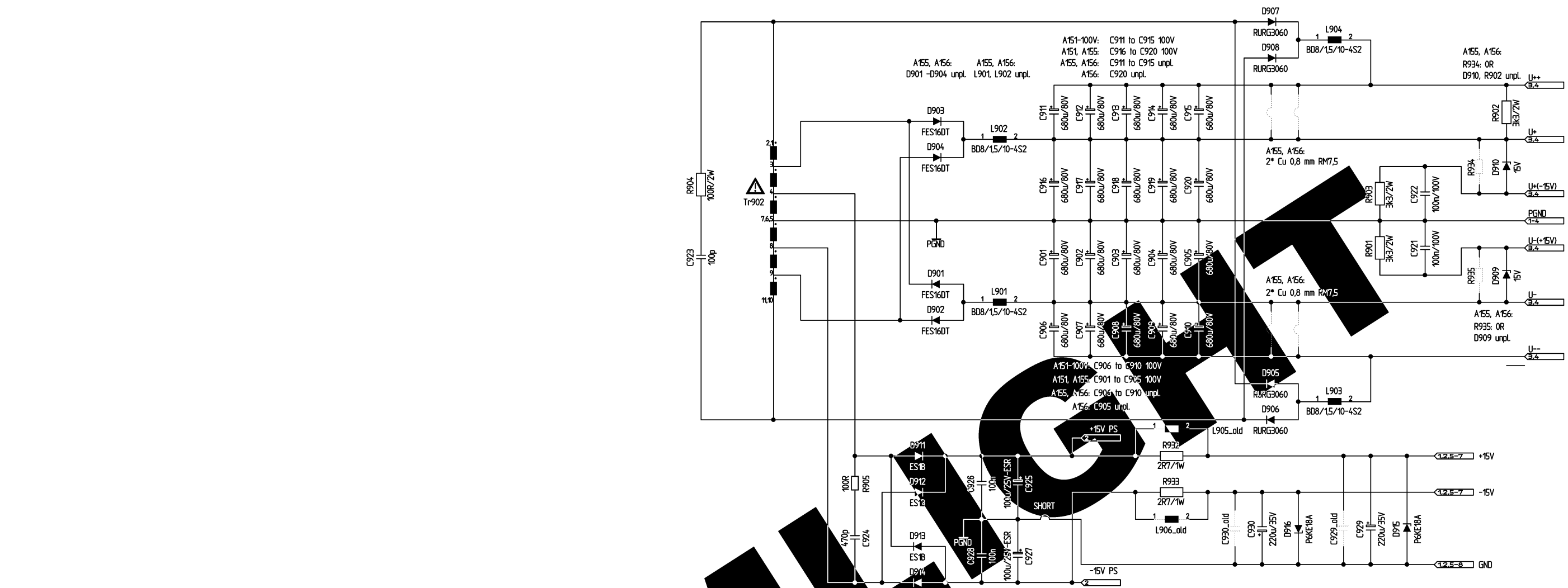
Schutzvermerk DIN34 beachten!
 The copying, distribution and utilization of this document as well as the communication of its contents to others without expressed authorization is prohibited. Offenders will be held liable for the payment of damages. All rights reserved in the event of the grant of a patent, utility model or ornamental design registration.

gezeichnet	Carsten Wegner
Datum	10.10.02
Blatt	CW
Rev.	15.05.05
GV	

CAMCO
 Produktions- und Vertriebs-GmbH
 D-57482 Wenden-Gerlingen, Germany

a1510511
 H-Brücke + Zusatz, ESB

Stand	20.04.05	RevB-2(T32.4)	Blatt	8/10
-------	----------	---------------	-------	------

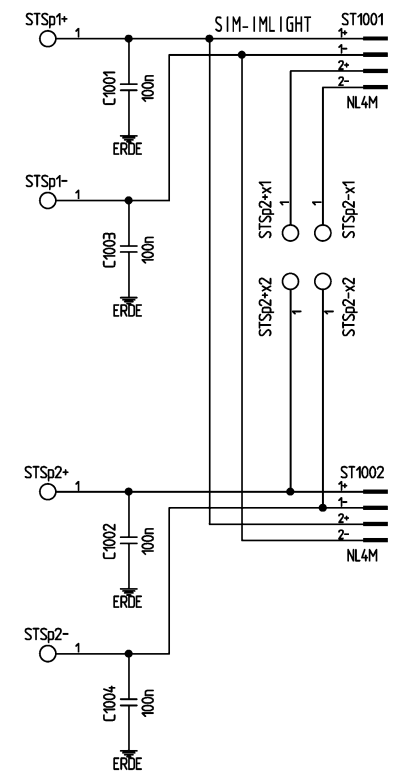



SINMILL

Schutzvermerk DIN34 beachten!
 The copying, distribution and utilization of this document as well as the communication of its contents to others without expressed authorization is prohibited. Offenders will be held liable for the payment of damages. All rights reserved in the event of the grant of a patent, utility model or ornamental design registration.

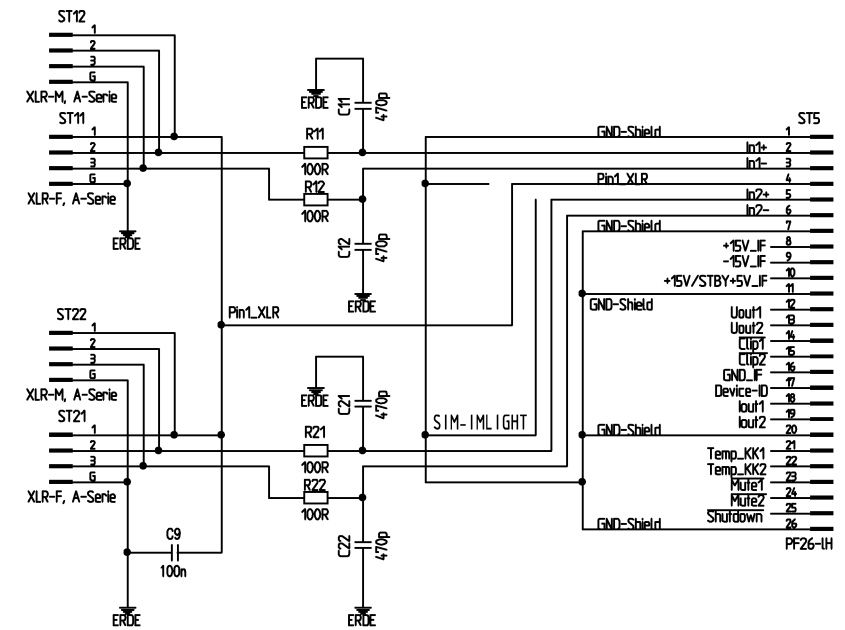
gezeichnet Carsten Wagner	gezeichnet CAMCO
Datum 10.10.02	Produktions- und Vertriebs- GmbH D-57482 Wenden-Gerlingen, Germany
Version 15.05.05	a1510511
	Haupt-NT sek., Hilfs-NT, Lüfter
	Stand 20.04.05
	RevB-2(T32.4)
	Blatt 9/10

SIM-IMMLIGHT



Schutzvermerk DIN34 beachten! The copying, distribution and utilization of this document as well as the communication of its contents to others without expressed authorization is prohibited. Offenders will be held liable for the payment of damages. All rights reserved in the event of the grant of a patent, utility model or ornamental design registration.	gezeichnet		
	Carsten Wegner	Produktions- und Vertriebs- GmbH	
	Datum	D-57482 Wenden-Gerlingen, Germany	
	10.10.02 CW	a1510511	
	15.05.05 GV	Speakon	
		Stand	Blatt
		20.04.05	10/10
	bearbeitet	RevB-2(T32.4)	8

SIM-IMMLIGHT



V1: Lochabstand Blechwinkel kleiner 30.06.03 GV

Schutzvermerk DIN34 beachten!
The copying, distribution and utilization of this document as well the communication of its contents to others without expressed authorization is prohibited. Offenders will be held liable for the payment of damages. All rights reserved in the event of the grant of a patent, utility model or ornamental design registration.

gezeichnet	Carsten Wegner
geprüft	CW
Stand	04.02.03

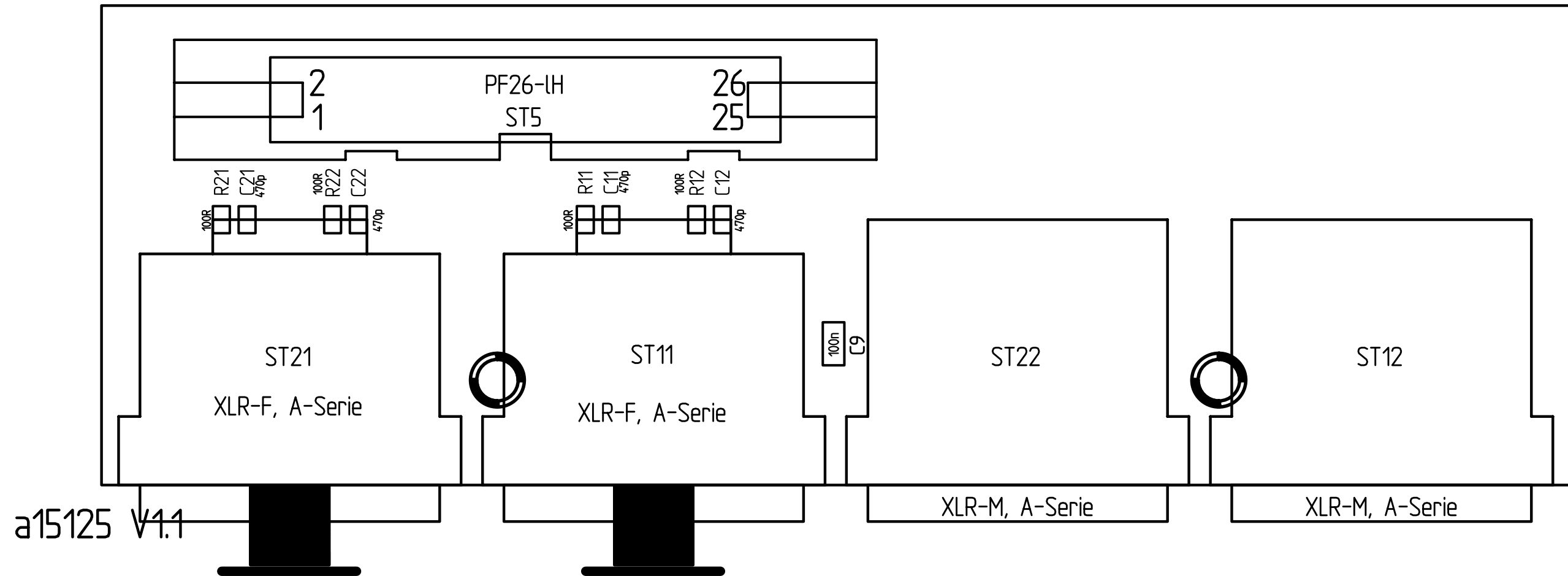
CAMCO
Produktions- und Vertriebs-GmbH
D-57482 Wenden-Gertingen, Germany

a1512511
XLR-Eingangsplatine

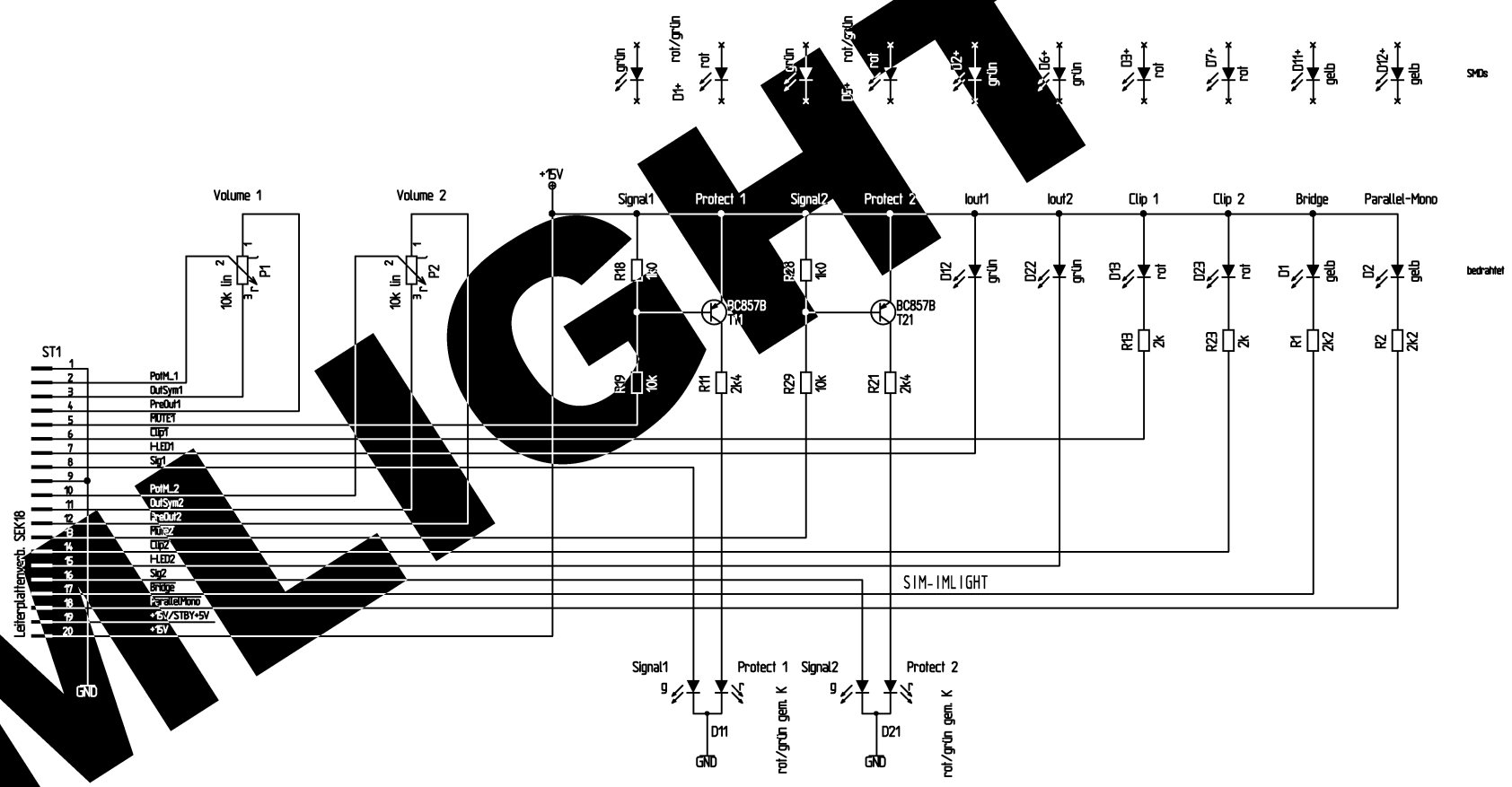
RevA Blatt 1/1

A15125 [RevA]

Born Free Inc. Taiwan

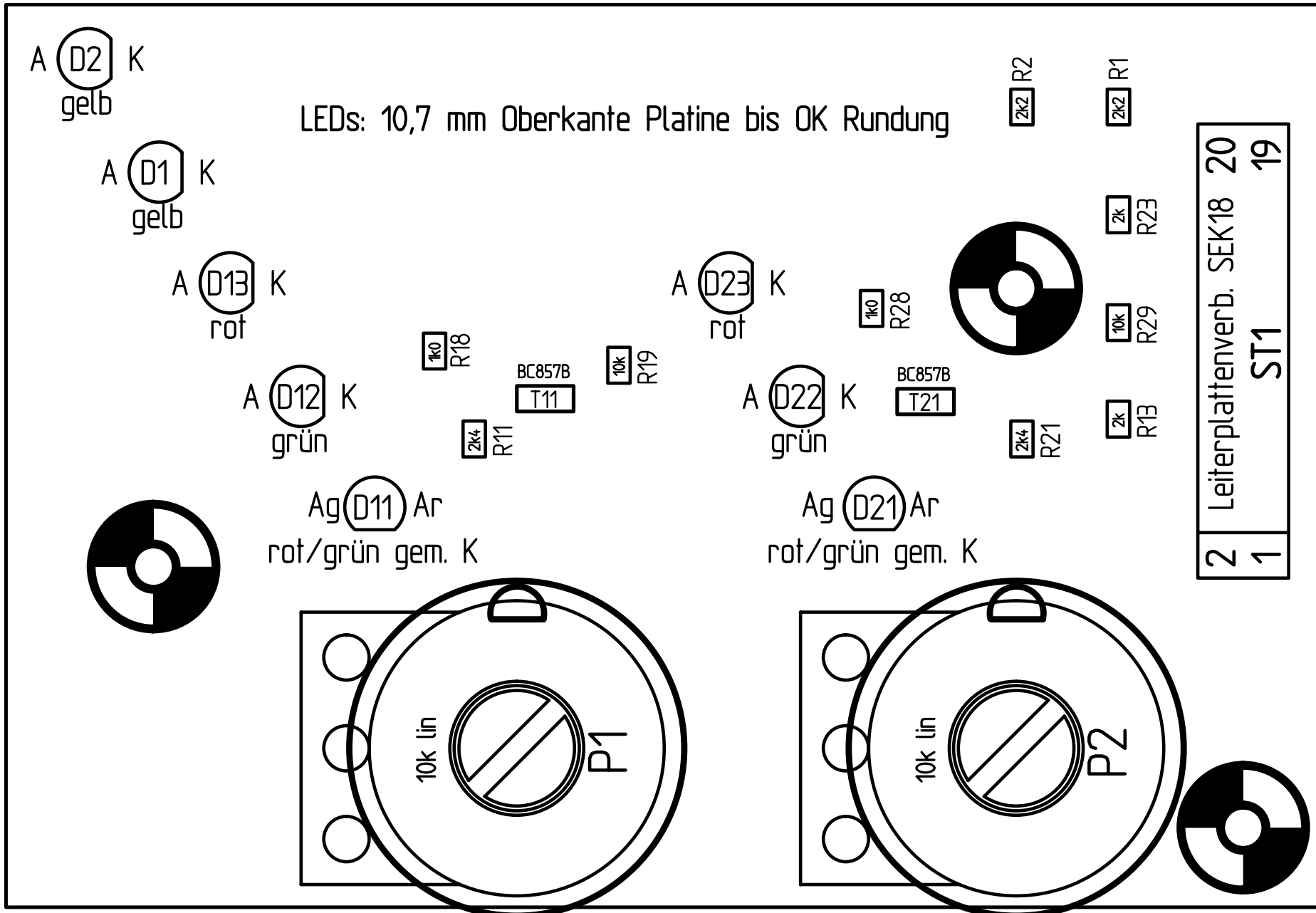


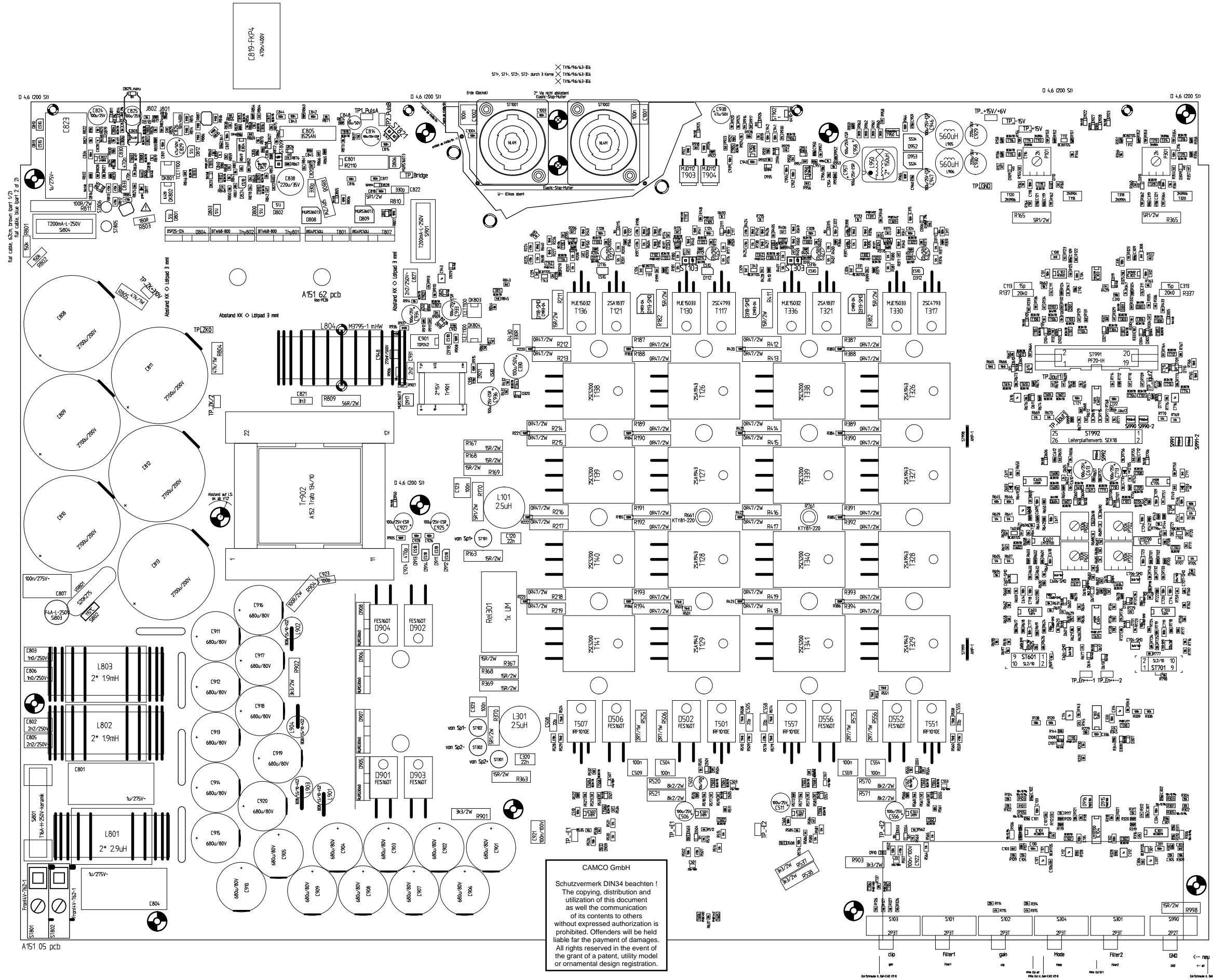
SIM-IML LIGHT



Schutzvermerk DIN34 beachten! The copying, distribution and utilization of this document as well as the communication of its contents to others without expressed authorization is prohibited. Offenders will be held liable for the payment of damages. All rights reserved in the event of the grant of a patent, utility model or ornamental design registration.	gezeichnet	CAMCO Produktions- und Vertriebs-GmbH D-57482 Wenden-Gertlingen, Germany
	Carsten Wegner	
	14.10.02 CW	
	28.08.03 GV	
	Stand	a1519011
	30.06.03	Display
	Rev A	Blatt
		1/1

A15130 [Rev A]





C819-FRP4
4700/400V

51*, 51*, 52*, 52* durch 3 Kerne
X 176/96/63-86
X 176/96/63-86
X 176/96/63-86

D 4.6 (200 SI) D 4.6 (200 SI) D 4.6 (200 SI) D 4.6 (200 SI)

Rad. cable, G27m, from part 1/27
Rad. cable, blue part 2 of 27

Abstand KK \varnothing Lötspat 3 mm

A151 62 pcb

22

T1-902
A52 Ratio 19k/10

D 4.6 (200 SI)

L101 25uH

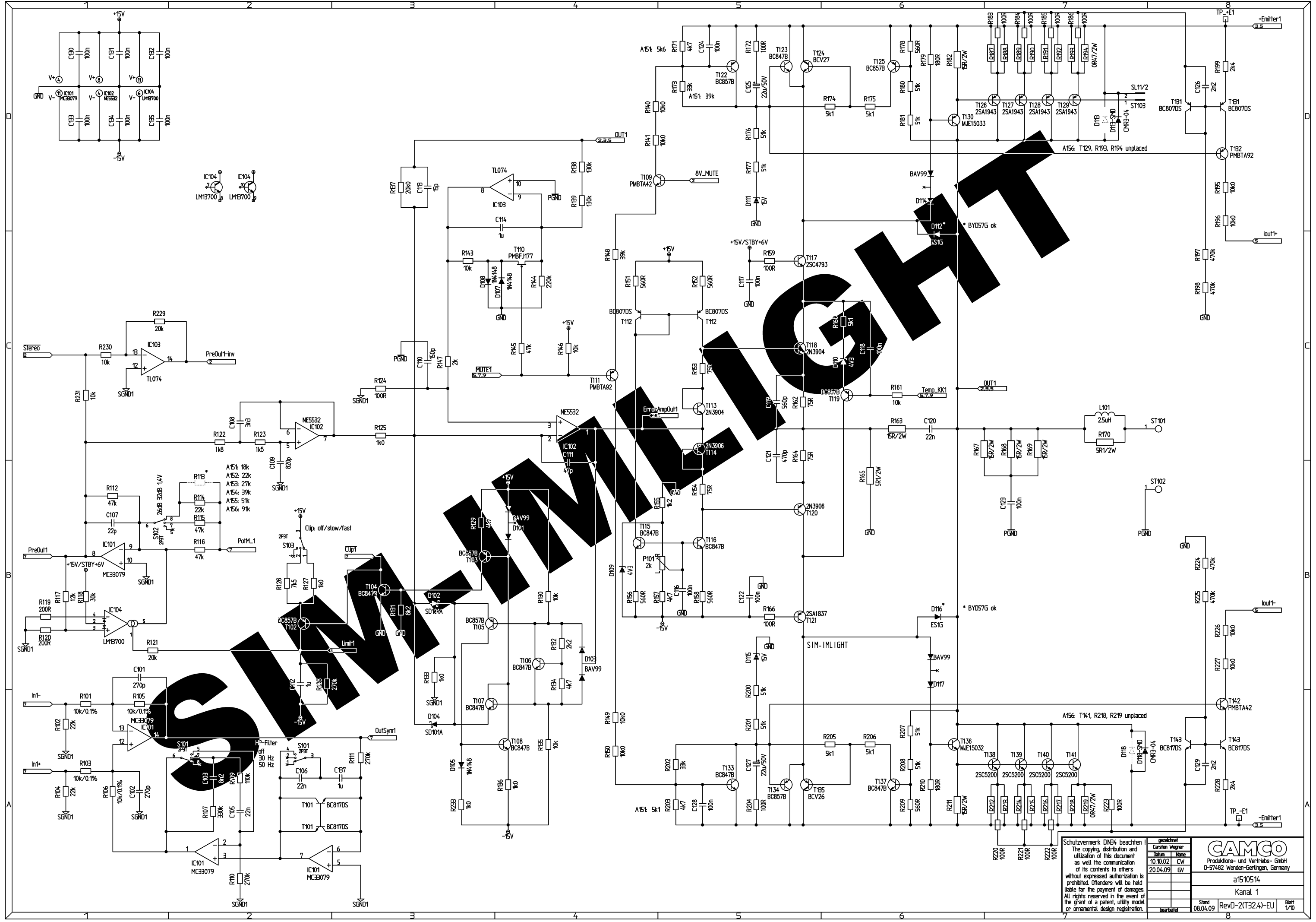
Real301
1x UM

L301 25uH

CAMCO GmbH
Schutzvermerk DIN34 beachten !
The copying, distribution and
utilization of this document
as well as the communication
of its contents to others
without expressed authorization is
prohibited. Offenders will be held
liable for the payment of damages.
All rights reserved in the event of
the grant of a patent, utility model
or ornamental design registration.

Flächendichte: 26 pd
Zugfestigkeit: 26 pd
Korrosion: 26 pd

A151 05 pcb



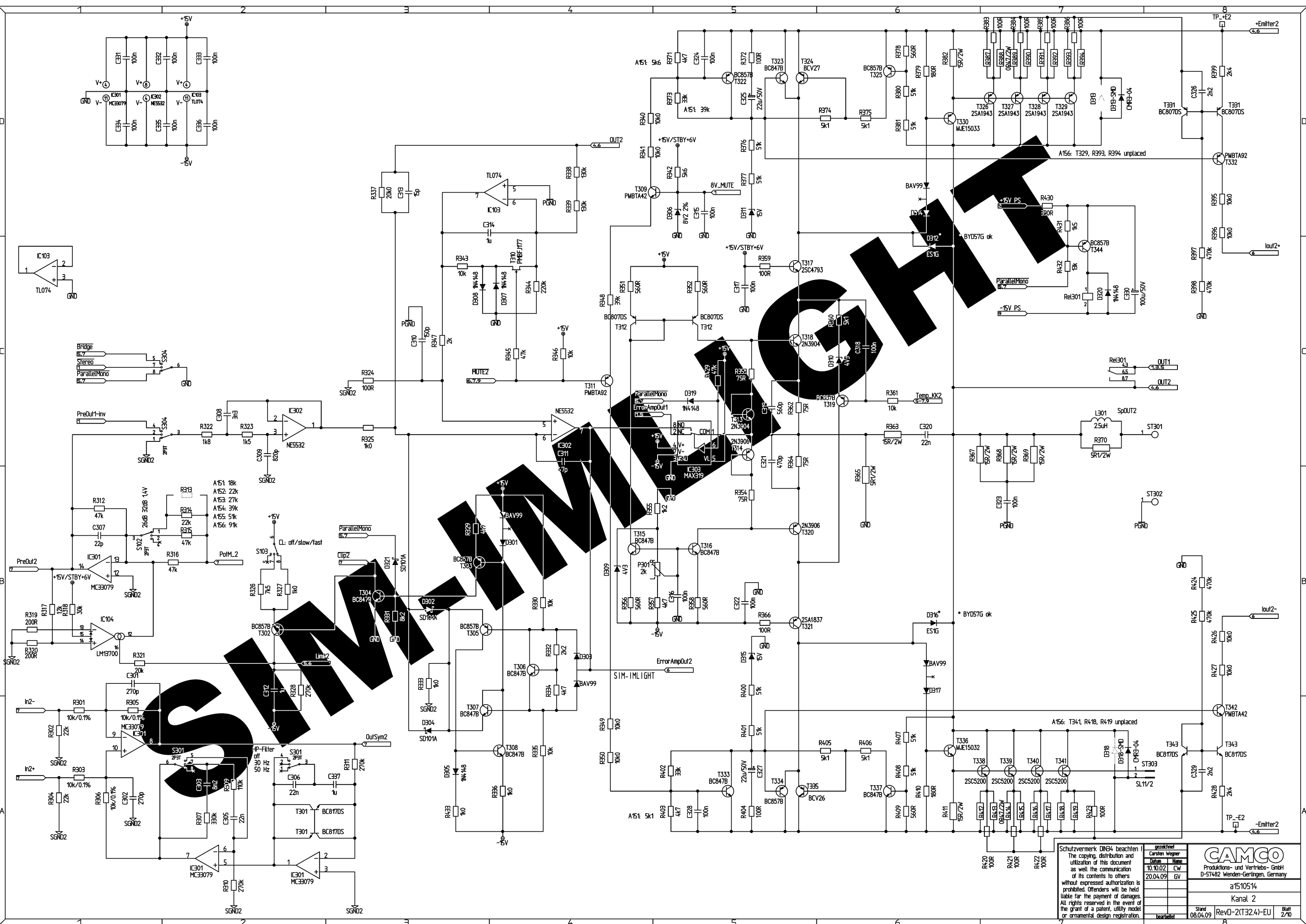
Schutzvermerk DIN84 beachten
 The copying, distribution and utilization of this document as well as the communication of its contents to others without expressed authorization is prohibited. Offenders will be held liable for the payment of damages. All rights reserved in the event of the grant of a patent, utility model or ornamental design registration.

gezeichnet	Carsten Wegner
Datum	10.10.02
Name	CW
geprüft	20.04.09
bearbeitet	GV

CAMCO
 Produktions- und Vertriebs-GmbH
 D-57482 Wenden-Gerlinsberg, Germany

a1510514
 Kanal 1

Stand 08.04.09
 RevD-2(T32.4)-EU
 Blatt 1/70



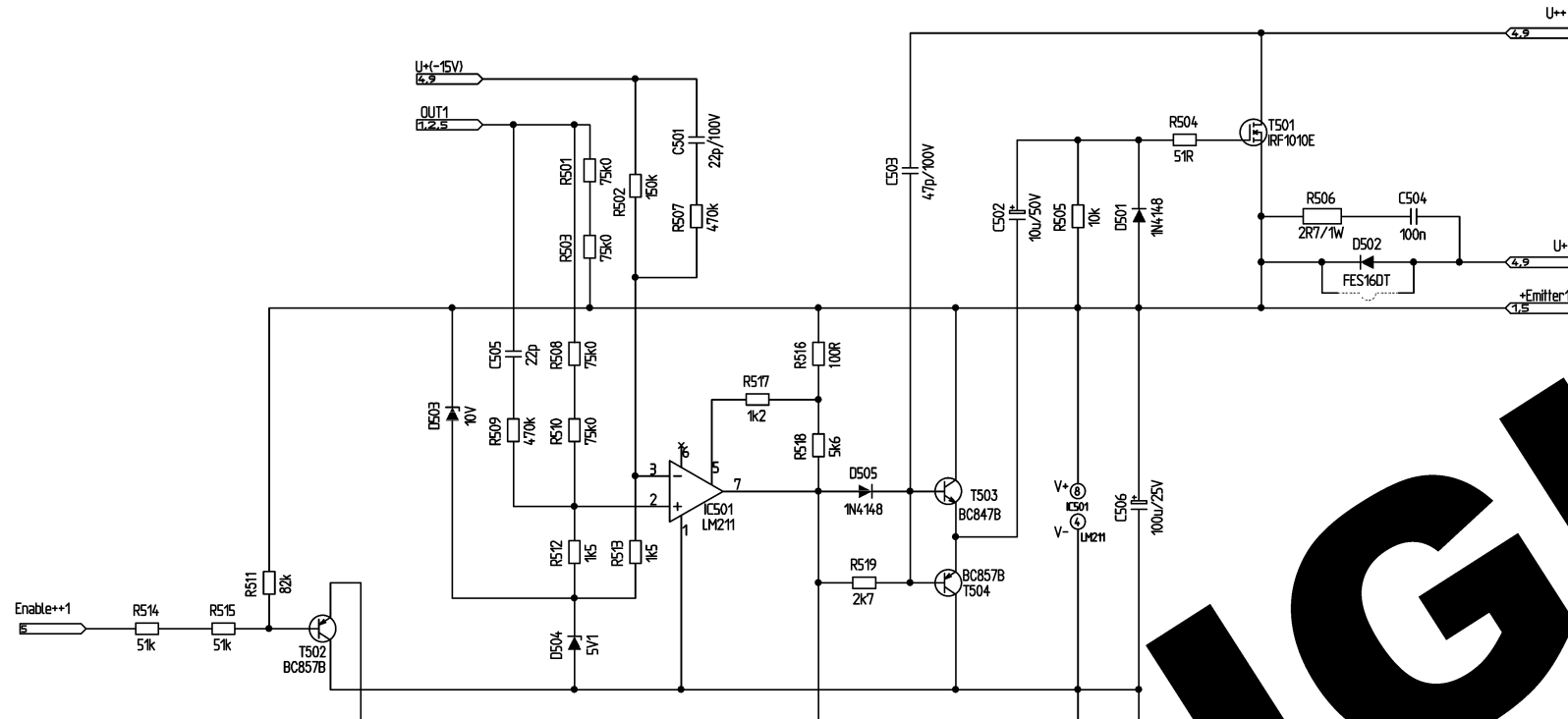
Schutzvermerk DIN84 beachten
 The copying, distribution and utilization of this document as well as the communication of its contents to others without expressed authorization is prohibited. Offenders will be held liable for the payment of damages. All rights reserved in the event of the grant of a patent, utility model or ornamental design registration.

gezeichnet	Carsten Wegner
Datum	10.10.02
Name	CW
geprüft	GV
Datum	20.04.09
Name	
gezeichnet	
Datum	
Name	

CAMCO
 Produktions- und Vertriebs-GmbH
 D-57482 Wenden-Gertlingen, Germany

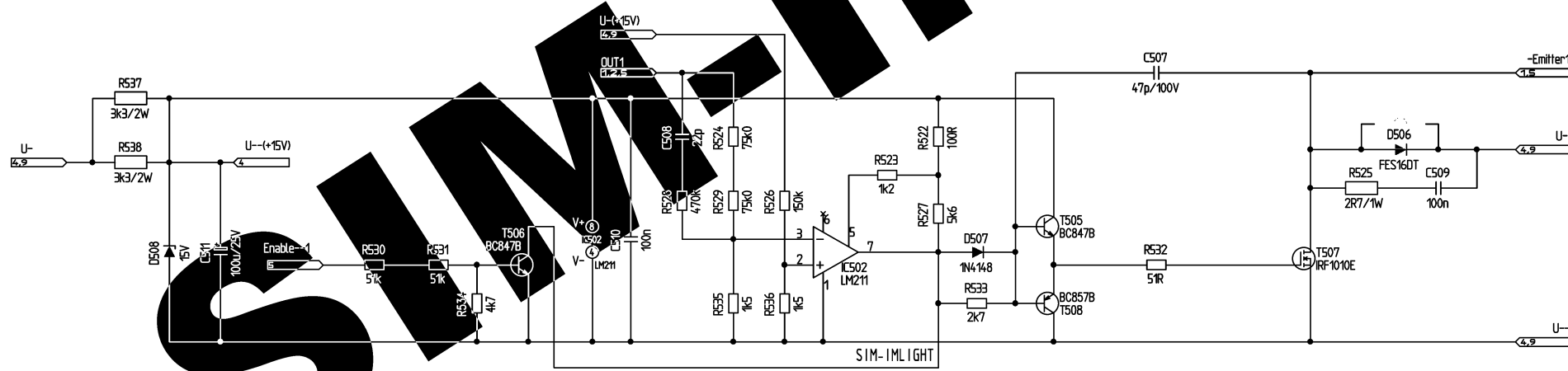
a1510514
 Kanal 2

Stand 08.04.09
 RevD-2(T32.4)-EU
 Blatt 2/20



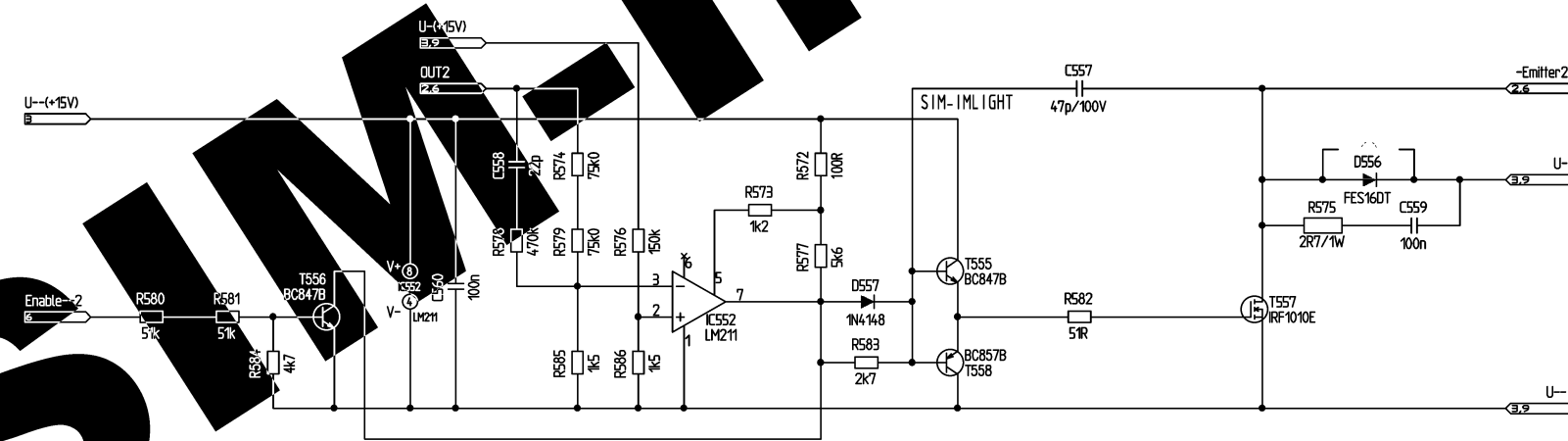
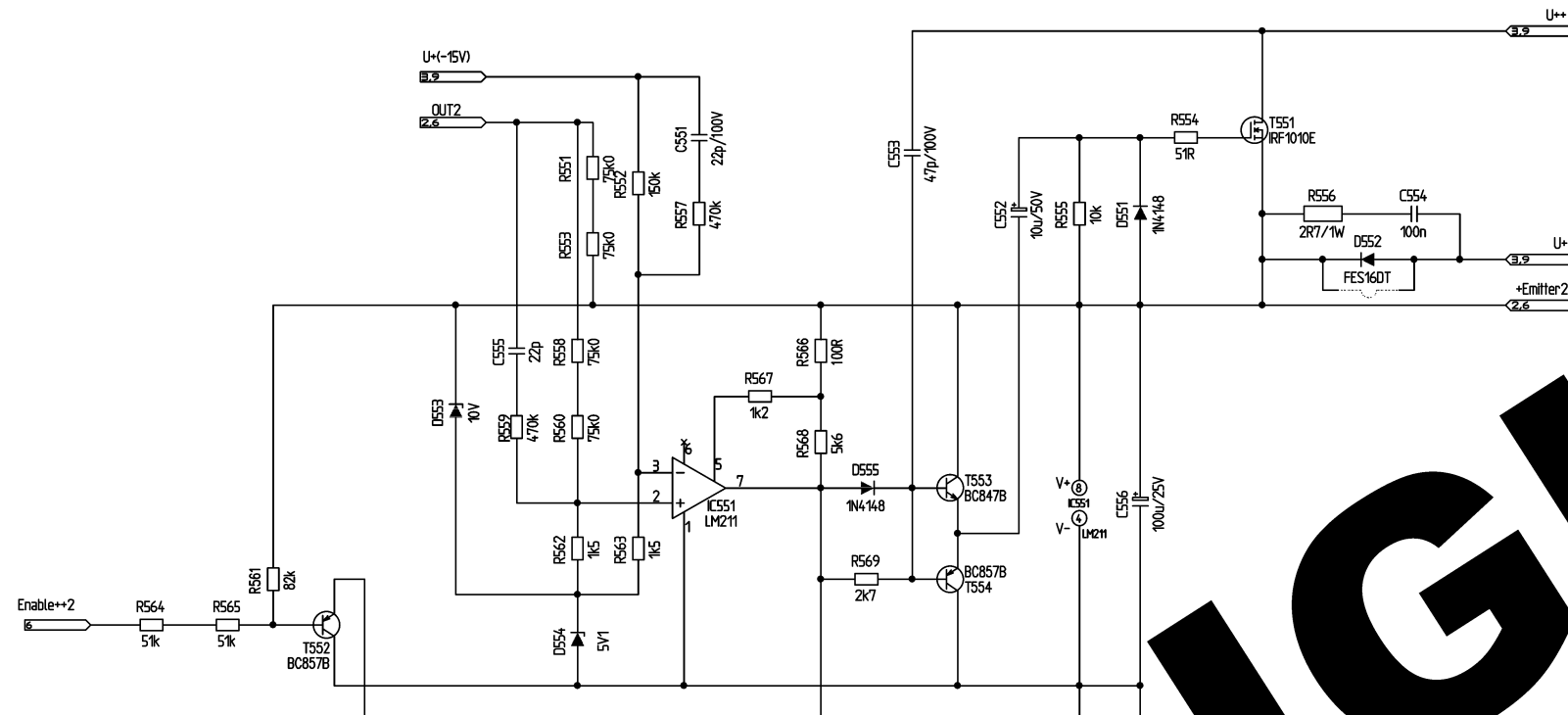
T501, T507:
 A151-EU, -US: STP120NF10 or HUF7554SP3
 A151-JP: STP120NF10
 A152-EU, -US: STP120NF10 or HUF7554SP3 or R1010E
 A152-JP: STP120NF10 or HUF7554SP3
 A153: STP120NF10 or HUF7554SP3 or R1010E
 A154: STP120NF10 or HUF7554SP3 or R1010E

A155, A156: all parts of this page unplaced, 2 short placed



SIM-IMMLIGHT

Schutzvermerk DIN94 beachten The copying, distribution and utilization of this document as well as the communication of its contents to others without expressed authorization is prohibited. Offenders will be held liable for the payment of damages. All rights reserved in the event of the grant of a patent, utility model or ornamental design registration.	gezeichnet	CAMCO	
	Carsten Wegner	Produktions- und Vertriebs- GmbH	
	Datum	10.10.02	0-57482 Wenden-Gertlingen, Germany
	Name	CW	
	20.04.09	GV	a1510514
			EmitterBusse 1
	Stand	08.04.09	RevD-2(T32.4)-EU
	bearbeitet		Blatt 3/70

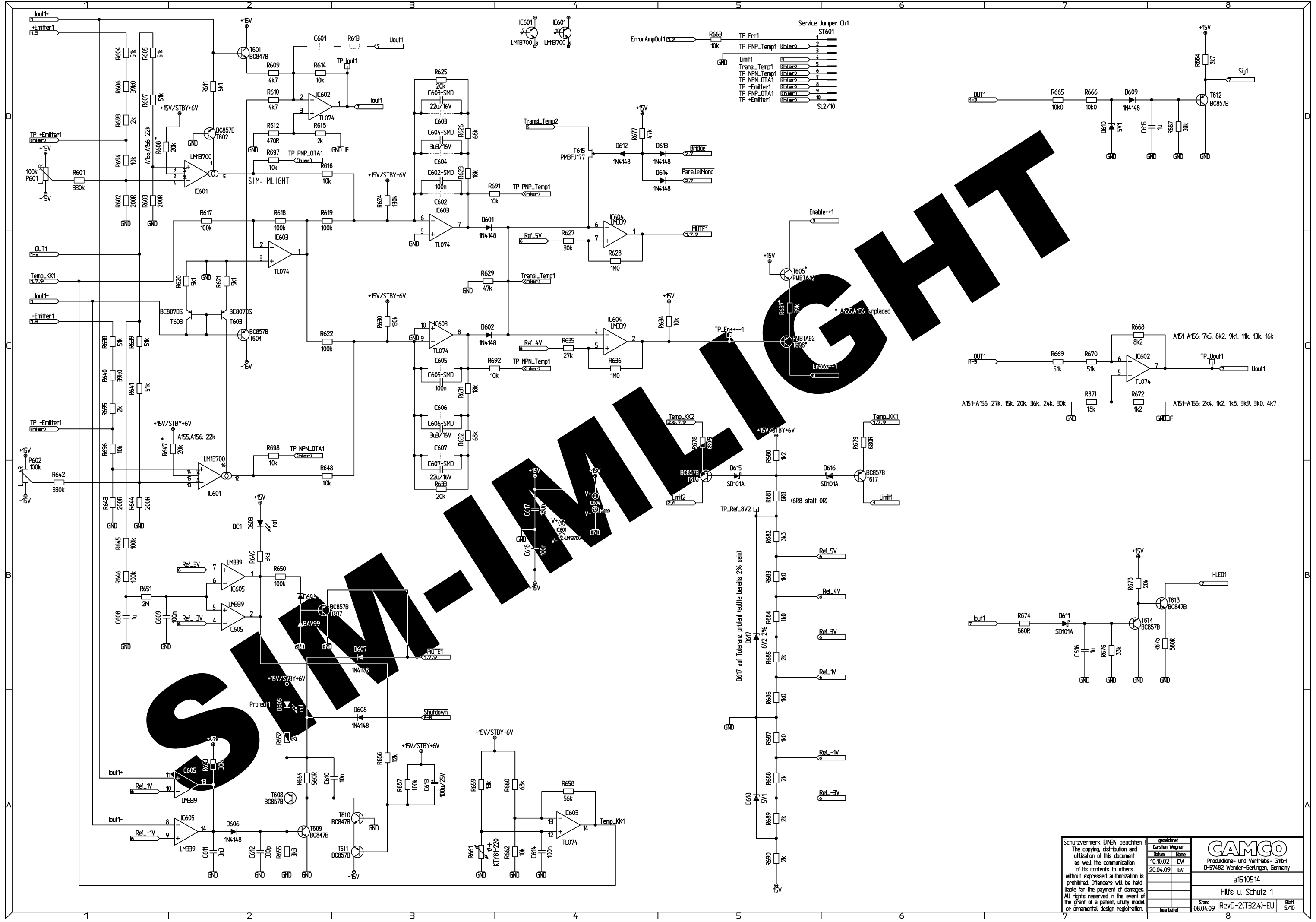



SIM-IMMLIGHT

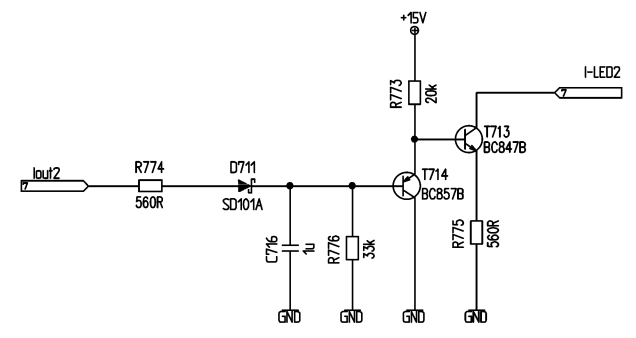
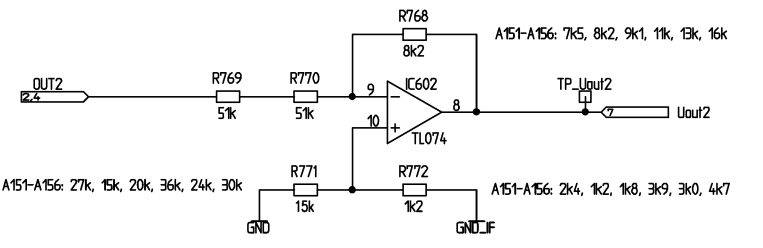
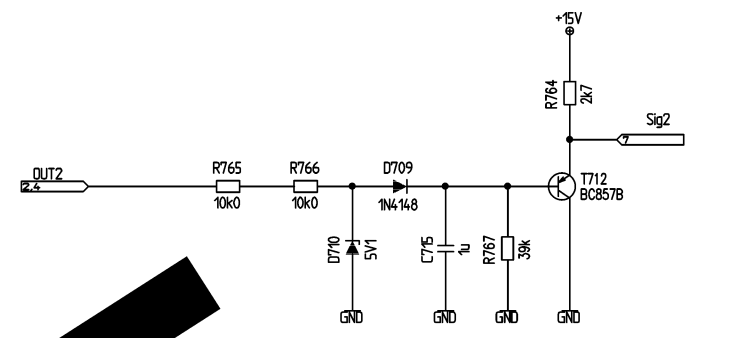
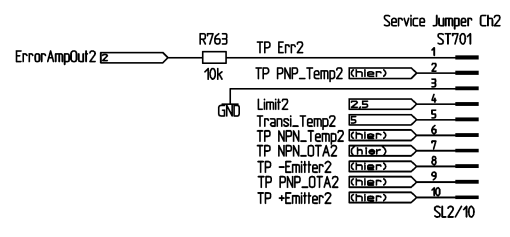
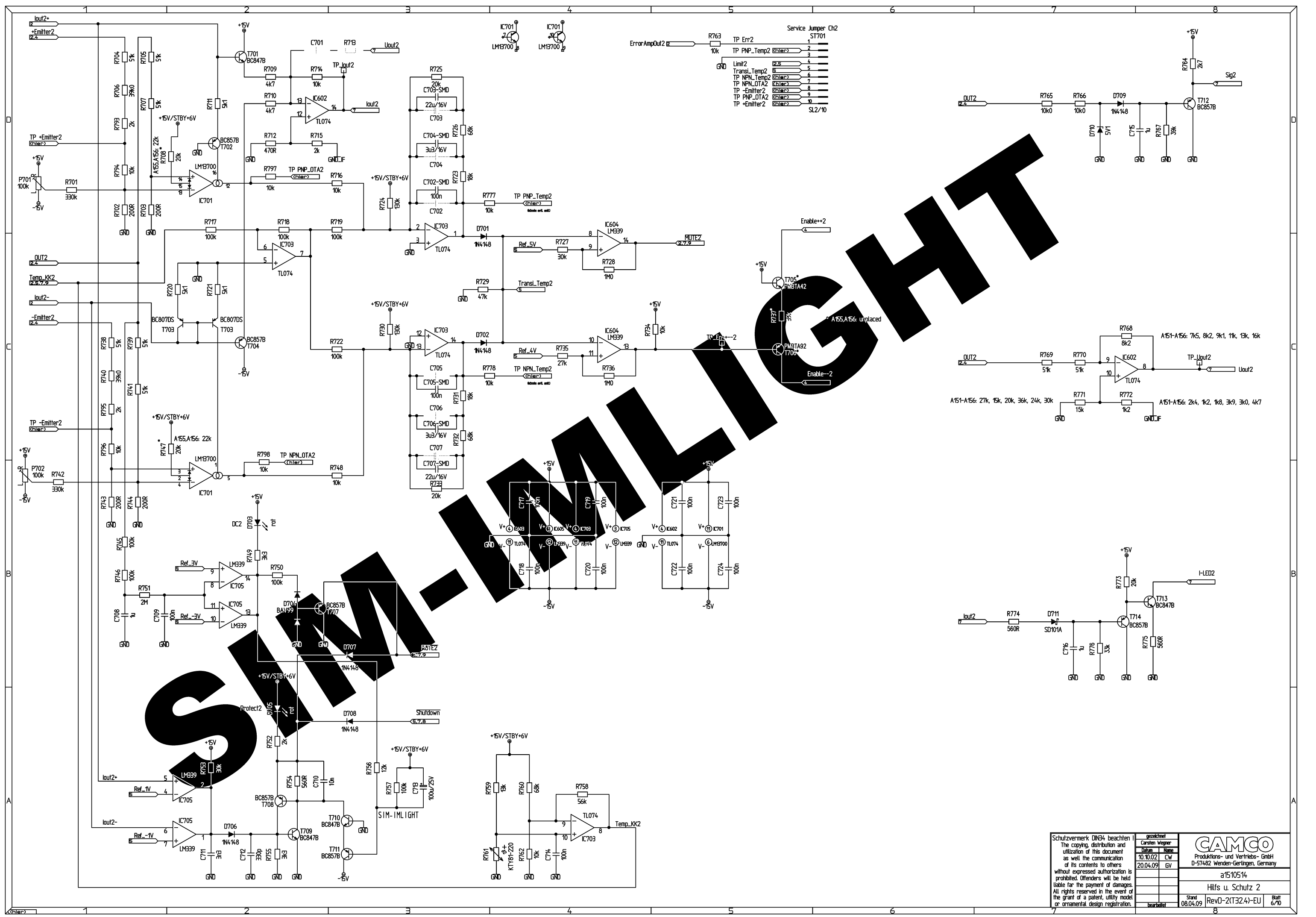
- T551, T557:
 A151-EU, -US: STP120NF10 or HUF7554SP3
 A151-JP: STP120NF10
 A152-EU, -US: STP120NF10 or HUF7554SP3 or R1010E
 A152-JP: STP120NF10 or HUF7554SP3
 A153: STP120NF10 or HUF7554SP3 or R1010E
 A154: STP120NF10 or HUF7554SP3 or R1010E

A155, A156: all parts of this page unplaced, 2 short placed

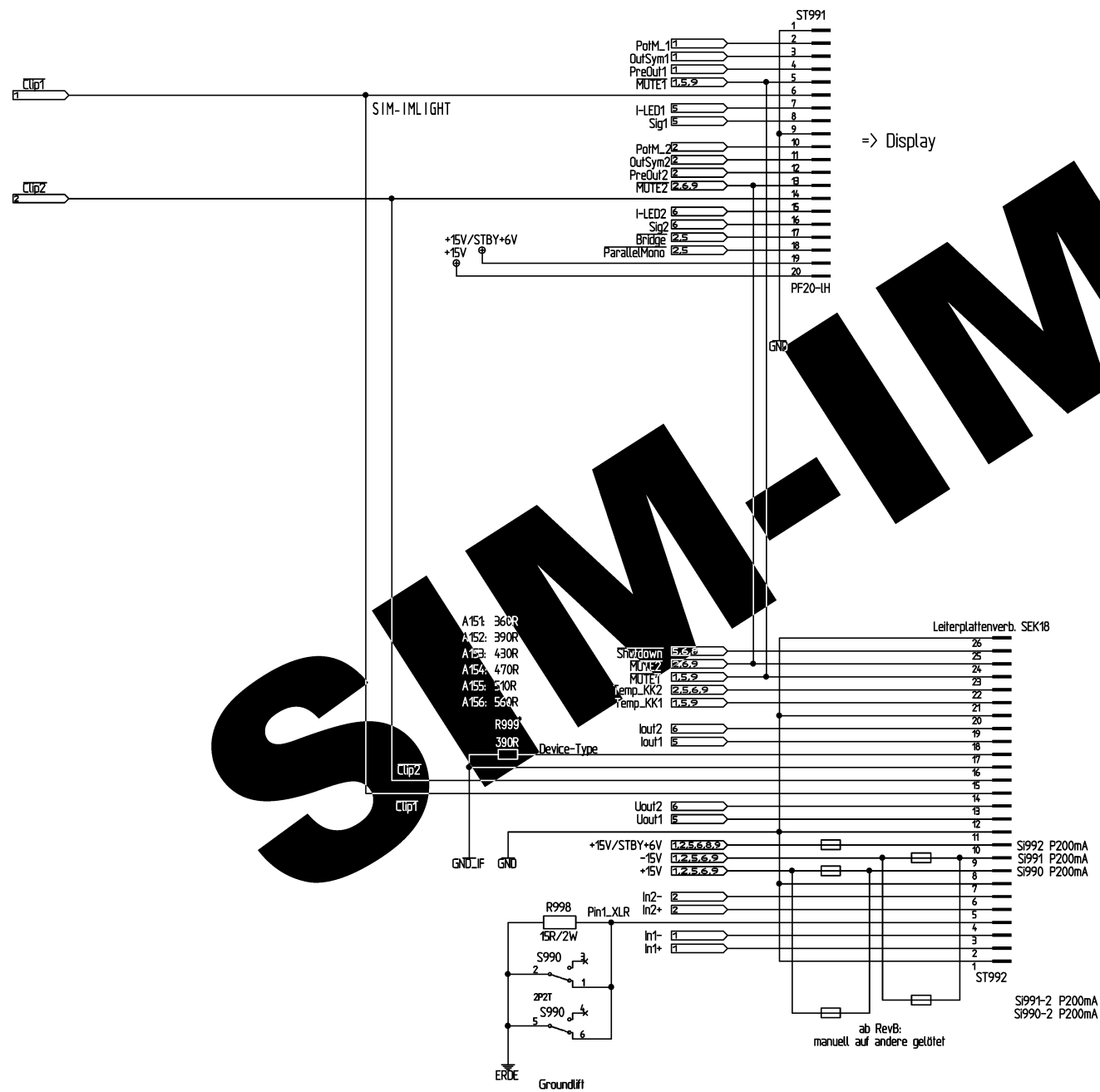
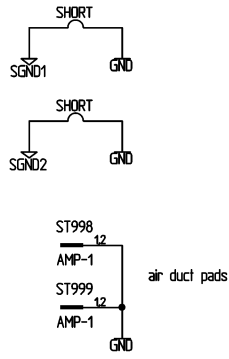
Schutzvermerk DIN84 beachten The copying, distribution and utilization of this document as well as the communication of its contents to others without expressed authorization is prohibited. Offenders will be held liable for the payment of damages. All rights reserved in the event of the grant of a patent, utility model or ornamental design registration.	gezeichnet	Carsten Wegner	
	Datum	10.10.02	Name
	Gezeichnet	20.04.09	GV
	bearbeitet		
 Produktions- und Vertriebs-GmbH D-57482 Wenden-Gerlingen, Germany		a1510514	
		EmitterBusse 2	
Stand	08.04.09	RevD-2(T32.4)-EU	Blatt 4/70



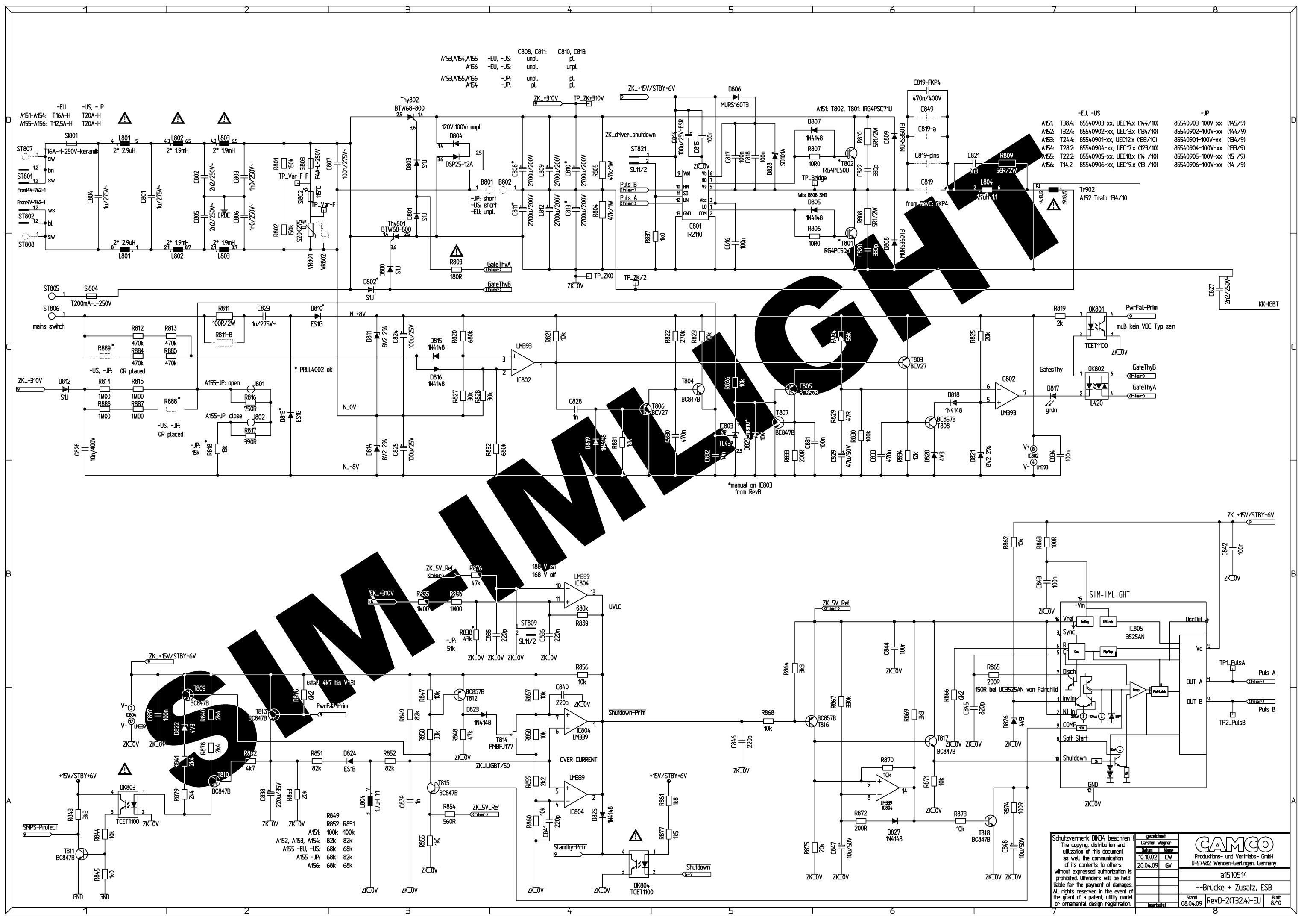
Schutzvermerk DNB4 beachten The copying, distribution and utilization of this document as well as the communication of its contents to others without expressed authorization is prohibited. Offenders will be held liable for the payment of damages. All rights reserved in the event of the grant of a patent, utility model or ornamental design registration.	gezeichnet Carsten Wegner	 Produktions- und Vertriebs-GmbH D-57482 Wenden-Gerlingen, Germany a1510514 Hilfs u. Schutz 1
	Datum 20.04.09	
Stand 08.04.09	RevD-2(T32.4)-EU	Blatt 5/0



Schutzvermerk DIN34 beachten The copying, distribution and utilization of this document as well as the communication of its contents to others without expressed authorization is prohibited. Offenders will be held liable for the payment of damages. All rights reserved in the event of the grant of a patent, utility model or ornamental design registration.	gezeichnet Carsten Wegner	 Produktions- und Vertriebs-GmbH D-57482 Wenden-Gertelns, Germany a1510514 Hilfs u. Schutz 2
	Datum 20.04.09	
Stand 08.04.09	RevD-2(T32.4)-EU	Blatt 6/70



Schutzvermerk DIN84 beachten! The copying, distribution and utilization of this document as well as the communication of its contents to others without expressed authorization is prohibited. Offenders will be held liable for the payment of damages. All rights reserved in the event of the grant of a patent, utility model or ornamental design registration.	gezeichnet			
	Carsten Wegner	Produktions- und Vertriebs- GmbH		
	Datum	Name	D-57482 Wenden-Gerlingen, Germany	
	20.04.09	GV	a1510514	
		DisplayCon / EUJ		
	Stand	RevD-2(T32.4)-EU	Blatt	
	08.04.09		7/70	

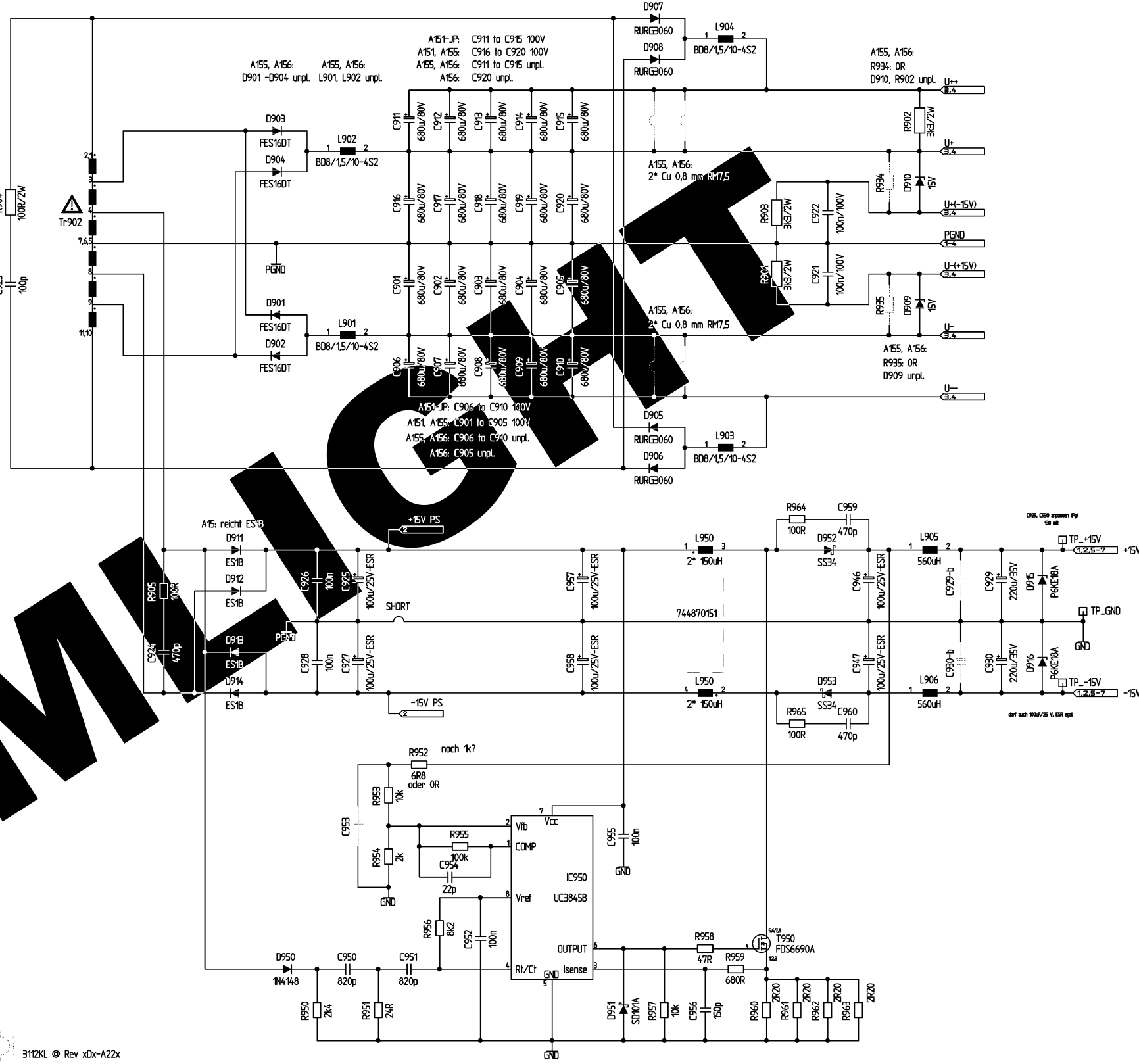
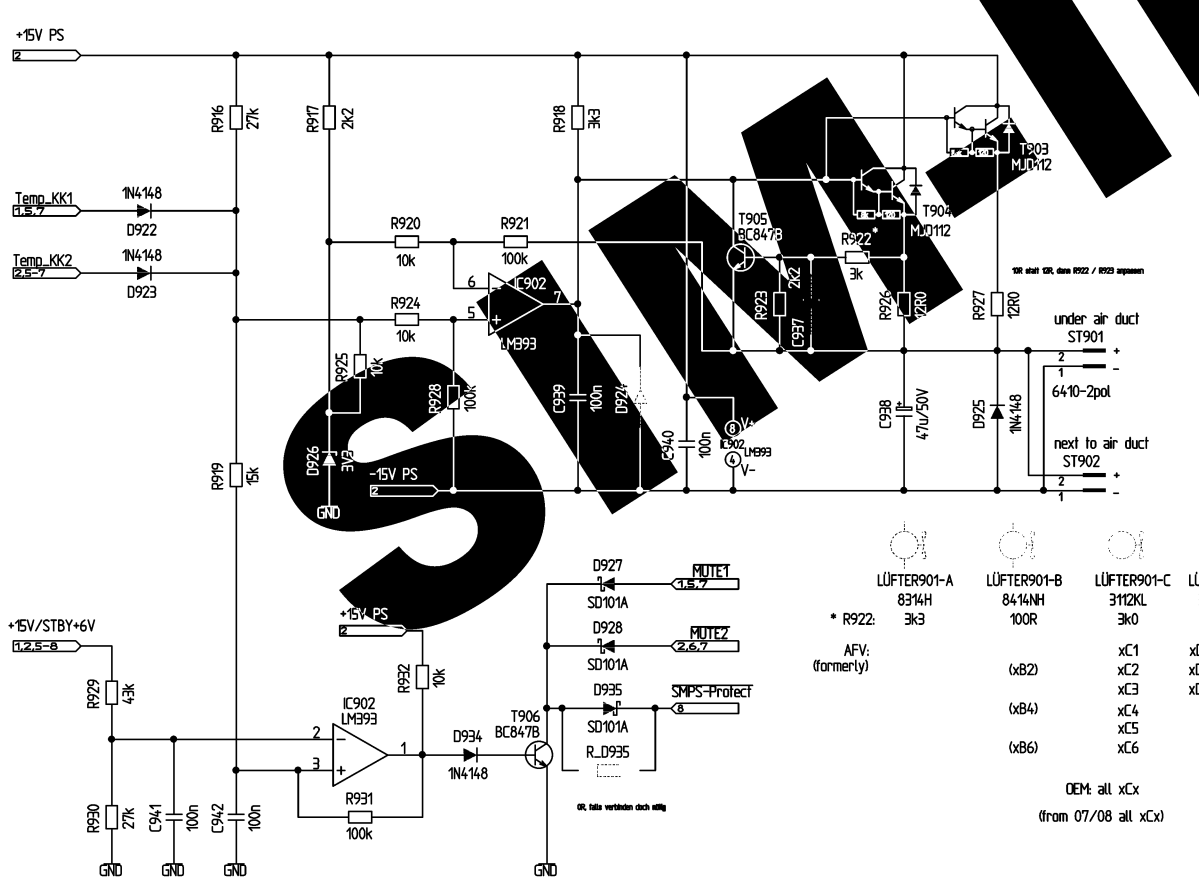
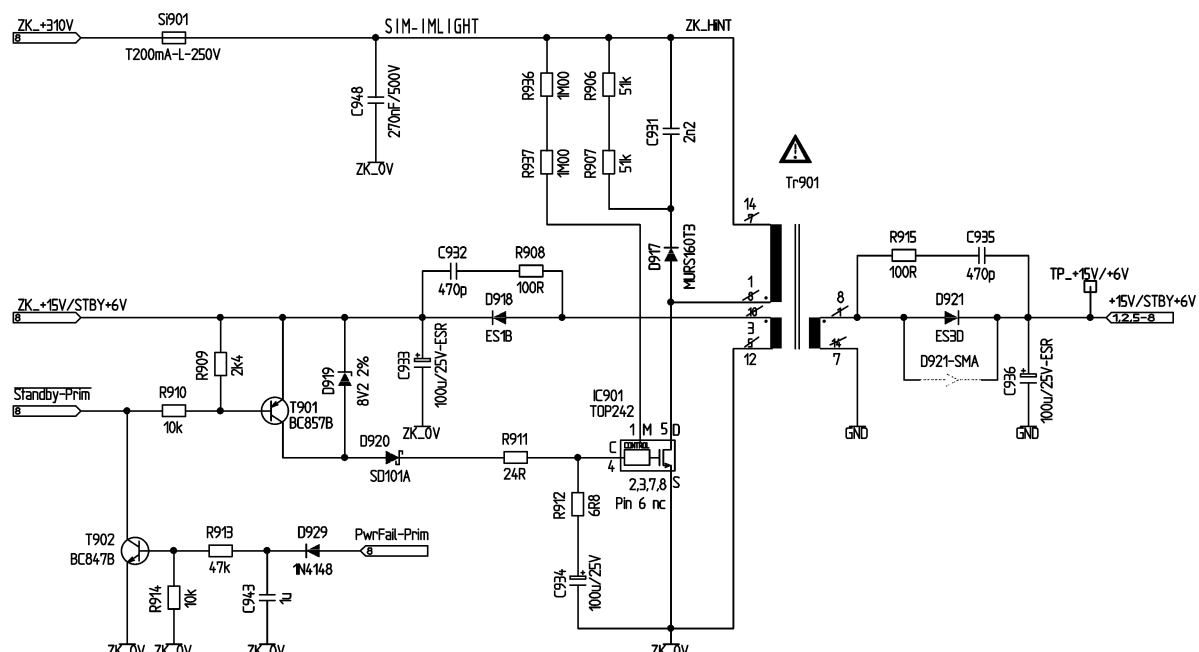


A153, A154, A155 -EU, -US: unpl.
 A156 -EU, -US: unpl.
 A153, A155, A156 -JP: unpl.
 A154 -JP: unpl.

C808, C811 C810, C819
 pl. pl.
 unpl. unpl.

-EU, -US
 A151: T38.4: 85540903-xx, UEC14.x (144/10) 85540903-100V-xx (145/9)
 A152: T32.4: 85540902-xx, UEC13.x (134/10) 85540902-100V-xx (144/9)
 A153: T24.4: 85540901-xx, UEC12.x (123/10) 85540901-100V-xx (133/9)
 A154: T28.2: 85540904-xx, UEC17.x (123/10) 85540904-100V-xx (133/9)
 A155: T22.2: 85540905-xx, UEC18.x (14 / 10) 85540905-100V-xx (15 / 9)
 A156: T14.2: 85540906-xx, UEC19.x (13 / 10) 85540906-100V-xx (14 / 9)

Schutzvermerk DIN34 beachten		gezeichnet		CAMCO	
The copying, distribution and utilization of this document as well as the communication of its contents to others without expressed authorization is prohibited. Offenders will be held liable for the payment of damages. All rights reserved in the event of the grant of a patent, utility model or ornamental design registration.		Carsten Wegner		Produktions- und Vertriebs-GmbH D-57482 Wenden-Gertlingen, Germany	
		10.10.02		a1510514	
		20.04.09		H-Brücke + Zusatz, ESB	
		GV		Stand 08.04.09	
		CV		RevD-2(T32.4)-EU	
		bearbeitet		Blatt 8/70	



- 3112KL @ Rev xDx-A22x
- LÜFTER902
- 80x32
- LÜFTER901-A: 8314H 3x3
- LÜFTER901-B: 8414NH 100R
- LÜFTER901-C: 3112KL 3x0
- LÜFTER901-D: 3112KL 10k
- * R922: (formerly) AFV: (formerly)
- AFV: (formerly)
- x(B2)
- x(B4)
- x(B6)
- x(C1)
- x(C2)
- x(C3)
- x(C4)
- x(C5)
- x(C6)
- DEM: all xCx (from 07/08 all xCx)

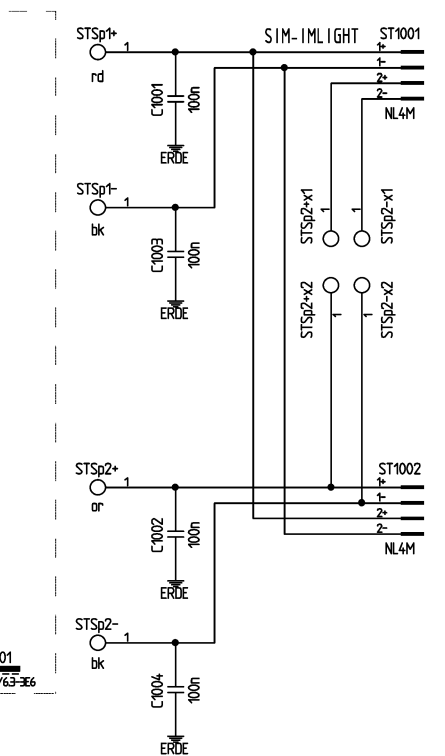
Schutzvermerk DIN34 beachten The copying, distribution and utilization of this document as well as the communication of its contents to others without expressed authorization is prohibited. Offenders will be held liable for the payment of damages. All rights reserved in the event of the grant of a patent, utility model or ornamental design registration.	gezeichnet	CAMCO Produktions- und Vertriebs-GmbH D-57482 Wenden-Gerlingen, Germany a1510514 Haupt-NT sek., Hilfs-NT, Lüfter Stand 08.04.09 RevD-2(T32.4)-EU Blatt 9/70
	Datum	
	Name	
	bearbeitet	

SIM-IMMLIGHT

L1003
TX16/96/63-3E6

L1002
TX16/96/63-3E6

L1001
TX16/96/63-3E6



Schutzvermerk DIN94 beachten! The copying, distribution and utilization of this document as well as the communication of its contents to others without expressed authorization is prohibited. Offenders will be held liable for the payment of damages. All rights reserved in the event of the grant of a patent, utility model or ornamental design registration.	gezeichnet			
	Carsten Wegner	Produktions- und Vertriebs- GmbH		
	Datum	Name	D-57482 Wenden-Gerlingen, Germany	
	20.04.09	CW	a1510514	
	GV	Speakon		
Stand	RevD-2(T32.4)-EU	Blatt	10/70	
08.04.09		8		

D-POWER-2 = Tecton-24.4
D-POWER-3 = Tecton-32.4
D-POWER-4 = Tecton-38.4
D-POWER-7 = Vortex-6