

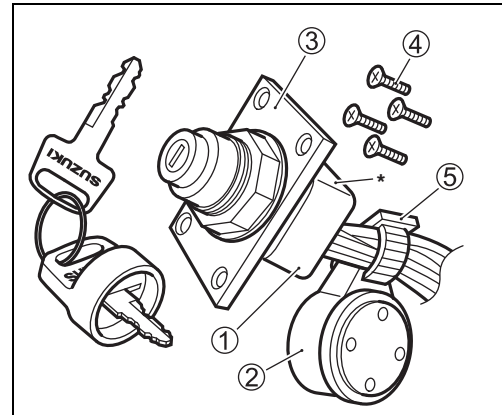
SINGLE IGNITION SWITCH PANEL KIT

Part number	Part name	Applicable model
37100-96J00	Single ignition switch panel kit	All electric starter model (for single)

INSTALLATION

COMPONENT PARTS

Ref.	Part name	Part number	Q'ty
①	Switch assy	37110-93J01	1
②	Buzzer, warning	38500-93J90	1
③	Panel	37139-99E00	1
④	Screw	03122-05165	4
⑤	Clamp, Buzzer	09407-08401	1



INSTALLATION

- Tools required
 - 51 mm (2.0 in) hole saw
 - 3.5 mm (9/64 in) drill bit
 - Phillips (+) screw driver
 - Drill motor
- Using hole saw and drill bit, drill holes through the dash panel at the center marks (×) shown.
- Connect all wires, matching their color to the remote control extension cable.
- Install the ignition switch through the hole and fasten on the panel with the screws provided.

