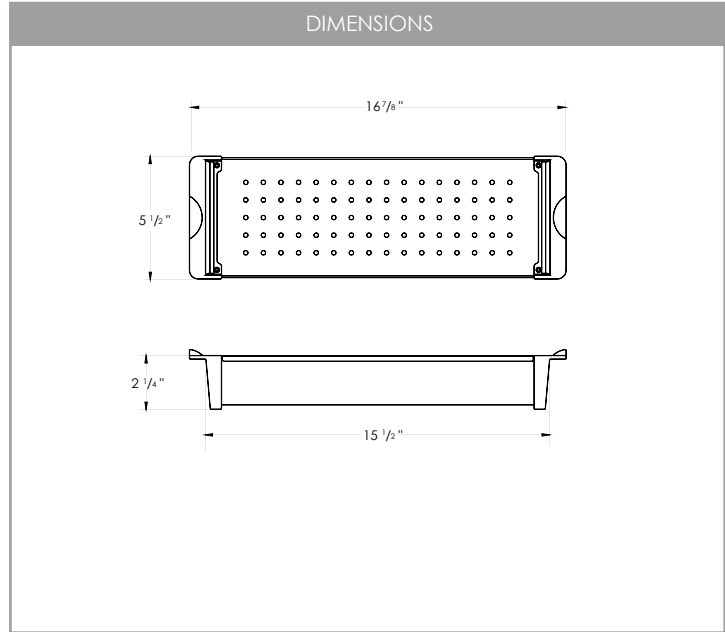




OVER THE SINK COLANDER

A-06
STAINLESS STEEL

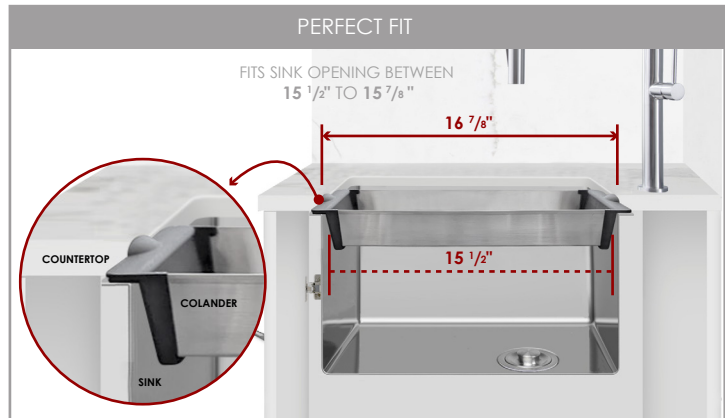


FINISH BRUSHED SATIN	GAUGE 18G	EXTEND COUNTERTOP PROVIDES EXTRA SPACE	EASY TO CLEAN DISHWASHER SAFE	DRAINS WATER FAST SMALL HOLES THAT ALLOWS FOR SUPER-FAST DRAINAGE.	MULTIPURPOSE GREAT FOR FILTERING, STRAINING OUT IMPURITIES AND FOR FOOD PREPARATION.
MATERIAL STAINLESS STEEL	PRODUCT DIMENSIONS		STURDY DESIGN STRONG DESIGN MADE OF 18G STEEL THAT CAN HOLD HEAVY LOADS	CORROSION AND RESISTANT SUPERIOR FINISH WITH CLEAN LINES AND SLEEK SHAPES	
PRODUCT CARE To clean a Stainless Steel colander: 1. Rinse the colander with water. 2. Coat the colander with baking soda, Flitz or Barkeepers friend. 3. With sponge, scrub all colander walls in the direction of the steel grain. 4. Spray on undiluted vinegar. 5. Rinse again. 6. Buff with a few drops of olive oil. 7. If necessary, repeat procedure.			PERFECT FIT FITS SINK OPENING BETWEEN 15 1/2" TO 15 7/8" 		

PRODUCT CARE

To clean a Stainless Steel colander:

1. Rinse the colander with water.
2. Coat the colander with baking soda, Flitz or Barkeepers friend.
3. With sponge, scrub all colander walls in the direction of the steel grain.
4. Spray on undiluted vinegar.
5. Rinse again.
6. Buff with a few drops of olive oil.
7. If necessary, repeat procedure.



WARRANTY

This product is covered by a year warranty. Consult our website for complete details.

Products and specifications shown are subject to change without notice. Please contact our technical support at care@stylishkb.com for any further queries, replacement parts requests, etc. ©2023 Stylish® all right reserved.