



STATUS®

EN

FOOD WASTE DISPOSER

Original instructions

IT

DISSIPATORE DI RIFIUTI ALIMENTARI

Istruzioni originali

BG

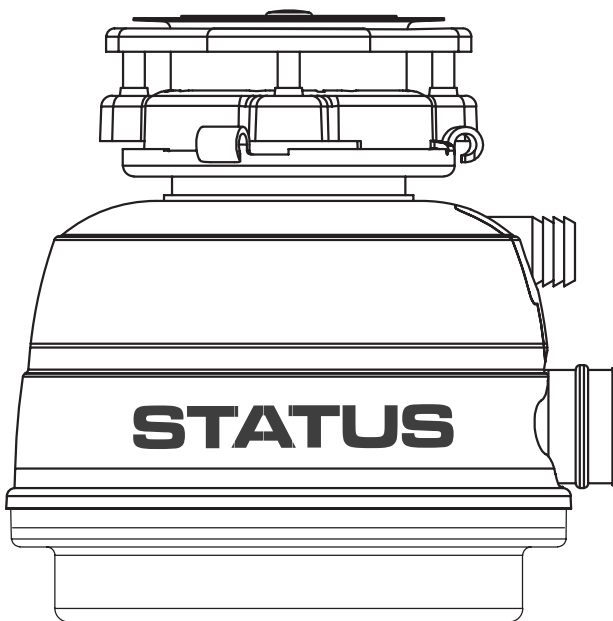
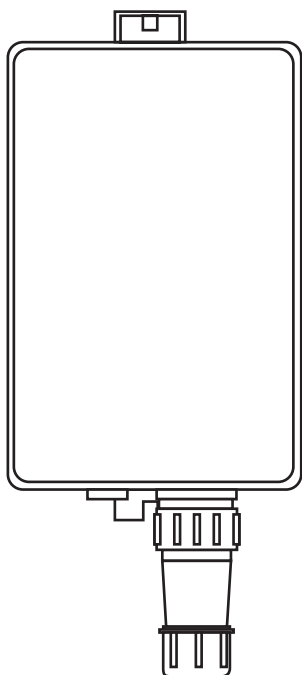
МЕЛНИЦА ЗА ХРАНИТЕЛНИ ОТПАДЪЦИ

Оригинална инструкция за използване

RU

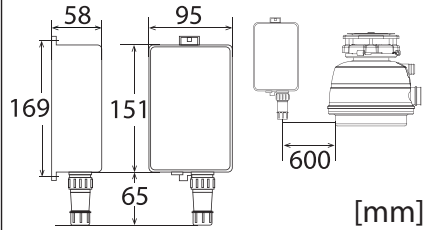
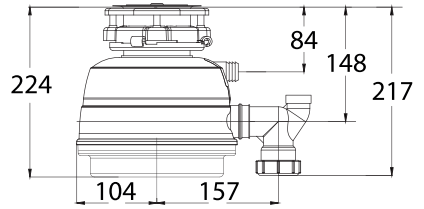
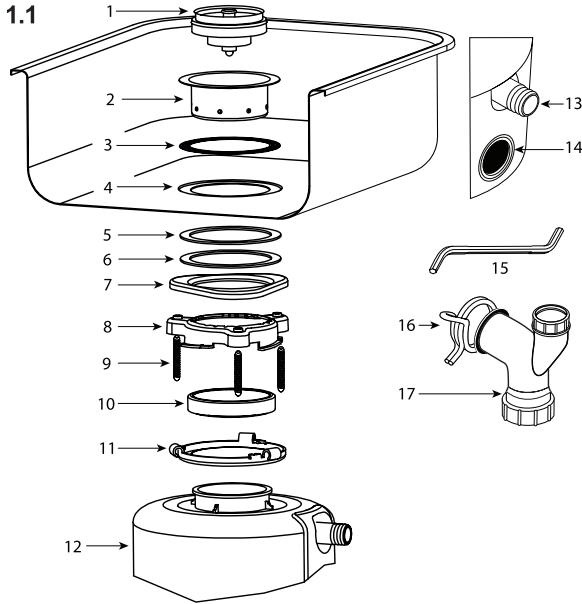
ИЗМЕЛЬЧИТЕЛЬ ПИЩЕВЫХ ОТХОДОВ

Оригинальная инструкция по эксплуатации

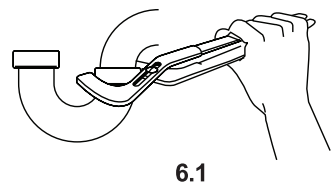
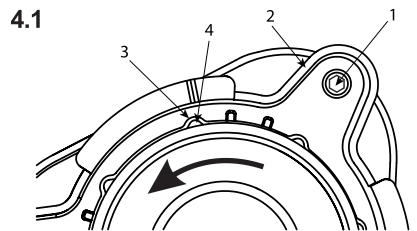
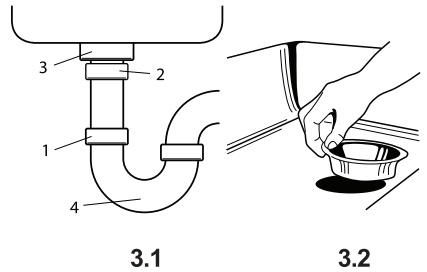
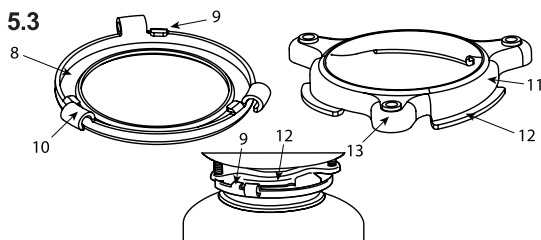
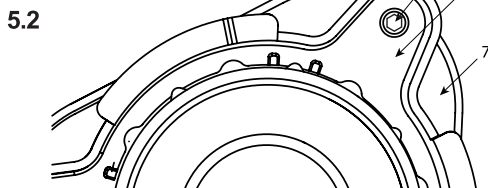
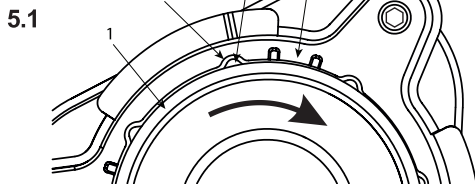


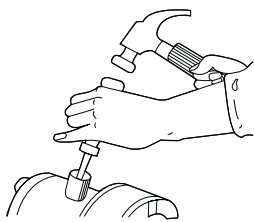
NEXT 200 Compact



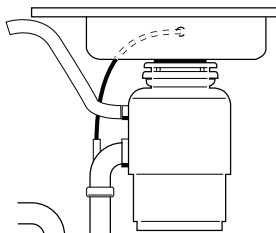


2.1

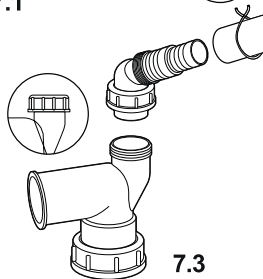




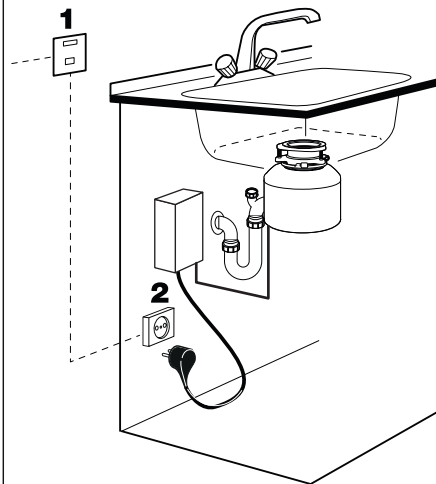
7.1



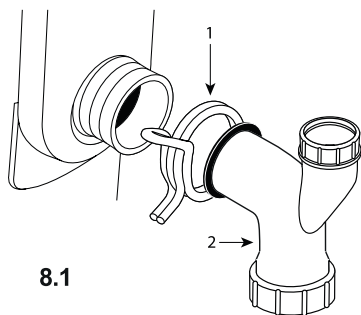
7.2



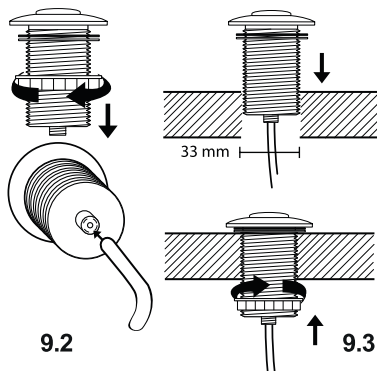
7.3



9.1

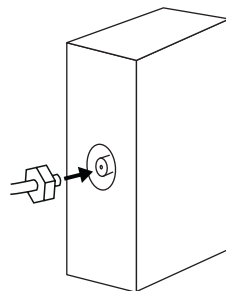


8.1

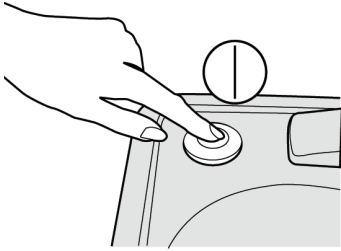


9.2

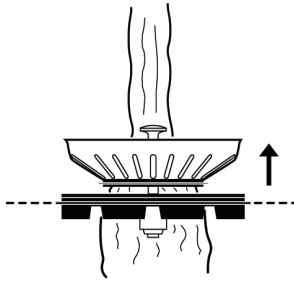
9.3



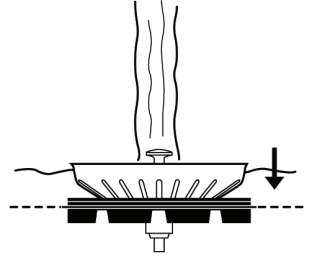
9.4



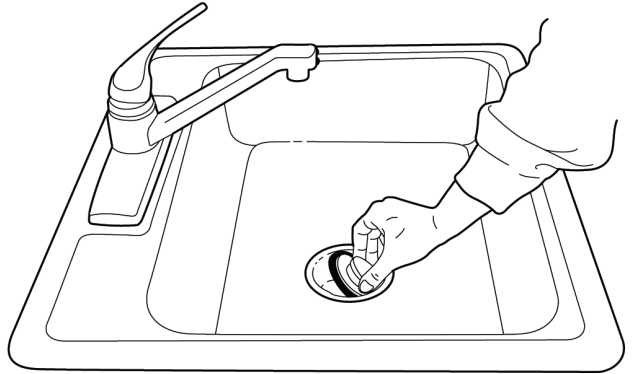
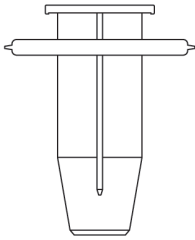
10.1



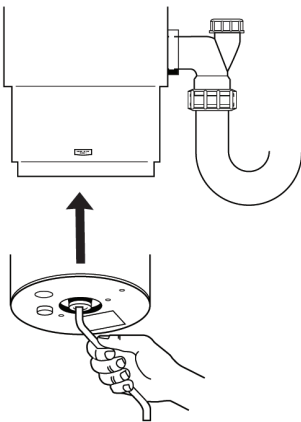
10.2



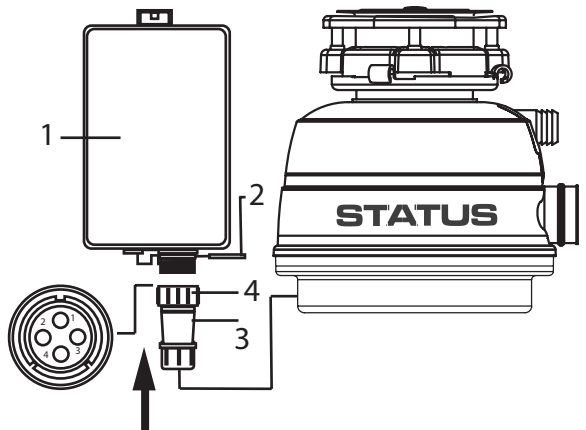
10.3



10.4



10.5



11

Read through the entire Installation, Care & Use manual before installing the disposer. Determine which of the tools, materials, and accessories you will need before you begin. Make sure you have all necessary disposer parts before installing the disposer.

NOTE: Make sure that the installation of this appliance is allowed by the authorities.

TOOLS, MATERIALS, AND ACCESSORIES YOU MAY NEED:

Phillips Screwdriver, Drain Auger, 9.5 mm Electrical Clamp, Wire Nuts (2), 38 mm Drain Trap, 33 mm Hole Drill, Safety Glasses, Hammer, Hacksaw, Water Hose Clamp, Pipe Wrench, Copper Earth Wire, Dishwasher Drain Connection Kit, Electrical On/Off Switch, Drain Tube Extension, 2 selftapping screws 3.5x16 mm.

PARTS LIST (Fig.1.1)

MOUNTING ASSEMBLY

1. Strainer Basket and Plug
2. Sink Flange
3. Black O-ring
4. Sink
5. White soft gasket
6. White hard gasket

7. Locking plate

8. Tightening pressing plate

9. Screws: M8x40mm. - 3*,
M8x30mm. - 3 **

10. Rubber ring to reduce noise

11. Locking ring

12. Food waste disposer

13. Dishwasher Inlet

14. Discharge Outlet

15. Wrenchette

DISCHARGE ASSEMBLY

16. Hose Clamp

17. Discharge Tube
(38 mm diameter)

* Mounted on a product (For sinks with wall thickness up to 1 mm.)

** Additional screws (For sinks with a wall thickness greater than 1 mm.)

1. CHECK INSTALLATION DIMENSIONS (Fig.2.1)

Installation dimensions are shown in the figure.

Cable length between disposer and control unit ~600 mm.

To properly drain and prevent standing water in the disposer, the waste pipe entering the wall must be lower than the disposer discharge outlet.

2. DISCONNECT SINK DRAIN

PERSONAL INJURY! Wearing safety glasses is recommended during the installation of the food waste disposer.

1. Loosen nut (1) at top of trap (4) with pipe wrench (Fig.3.1).
2. Loosen nut (2) at top of extension pipe. Remove extension pipe.
3. Loosen nut (3) at base of sink flange.
4. Push sink flange up through sink hole and remove it (Fig.3.2).
5. Clean sink flange area of any putty or other debris.

NOTE: The sink hole may have to be enlarged to accept the disposer sink flange. Sink hole enlargement tools are available from your dealer.

3. DISASSEMBLE NEW DISPOSER MOUNTING ASSEMBLY (Fig.4.1)

1. Turn the assembly, loosen the three screws (1).
2. Turn the tightening pressing plate (2) so that the half round hole (3) coincide with the locking dent (4) on the sink flange.
3. Now mount can be disassembled.

4. ATTACH UPPER MOUNTING ASSEMBLY TO SINK & CONNECT DISPOSER TO MOUNTING ASSEMBLY

PERSONAL INJURY! To avoid personal injury, do not position your head or body under disposer; the unit could fall during installation. Clear any objects from inside the disposer grind chamber before mounting the disposer to the sink.

1. Clean the dirty things around the sink (4). (Fig.1.1)
2. Black o-ring (3), sink flange (2), stainer basket and plug (1) are put into the sink (4). (Fig.1.1)
3. White soft gasket (5), white hard gasket (6), locking plate (7), tightening pressing plate (8) are put into the sink flange (2) according to the sequence. (Fig.1.1)
4. The locking point (2) pass through the half-round hole (3), then turn the sink flange (1) until the locking point in the between of the two locking dent (4). (Fig.5.1)
5. Tighten the 3 screws (5) into the locking pressing plate (6). Until 3 screws touch the locking plate's triangle area (7), please tighten them. (Fig.5.2)
6. Locking ring (11) and rubber ring (10) are put on the food waste disposer's mouth. (Fig.1.1)
7. Vertically lift up the food waste disposer to ensure the rubber ring (10) and sink flange (2) fully and evenly contact. (Fig.1.1)
8. Horizontally and right direction slide the locking ring (8) to let the hanging lug (9) hang on the tightening pressing plate (11) and hanging edge (12). So the food waste disposer are hanged under the sink. (Fig.5.3)
9. To insert the screw driver into the inside of the protruded lug (10), turn right until the locking ring (8) make the protruded plug touch the screw seat (13). (Fig.5.3)
10. Run water into sink, then check for leaks.
11. Insert sound baffle into sink opening, with flat side upward.

5. CLEAN SINK WASTE PIPE

Failure to clean sink waste pipe line may result in waste pipe blockage.

1. Remove trap. (Fig.6.1)
2. With drain auger, clear away all hardened waste material in horizontal drain line running from drain trap to main pipe.

IF YOU ARE NOT CONNECTING A DISHWASHER TO DISPOSER, SKIP AHEAD

6. DISHWASHER ATTACHMENT AND OVERFLOW CONNECTION

Wastewater from a dishwasher can be plumbed into the disposer through the inlet access on the upper part of the disposer. There is a plug on the inside of the inlet tube on all models. Once removed, the knockout plug cannot be replaced.

NOTE: If the dishwasher connection is made without removing the plug, the dishwasher may overflow. (Connections must comply with local plumbing codes.)

REMOVE KNOCKOUT PLUG

1. Lay disposer on its side and insert screwdriver into dishwasher inlet so tip rests on outer edge of knockout plug.
2. Tap end of screwdriver handle with hammer until molded plug breaks loose (Fig.7.1).
3. Remove loose knockout plug from inside disposer.

If you have a sink overflow, it should be connected to the overflow inlet on the tailpipe (Fig.7.2).

To connect the overflow, remove the plug in the tailpipe by unscrewing the overflow connector cap (Fig.7.3).

7. ATTACH DISCHARGE TUBE TO WASTE DRAIN PIPE

- Wearing safety glasses is recommended during the installation of the food waste disposer.
- Disposer must be connected to the supplied tailpipe with the supplied spring type hose clamp (Fig. 8.1). Failure to use the supplied tubes and spring type hose clamp will void the warranty and possibly cause premature failure of the Anti-Vibration Tailpipe Mount.
- Do not use plumber's putty on any other disposer connection other than on sink flange. Do not use thread sealants or pipe dope. These may harm disposer and cause property damage.
- Regularly inspect disposer and plumbing fittings for water leaks, as water leaks can cause property damage. Manufacturer cannot be held responsible for property damage as a result of water leaks.

DISCHARGE TUBE INSTALLATION (See Figure 8.1)

1. Place discharge tube (2) into Anti-Vibration Tailpipe Mount. Secure with spring type hose clamp (1). (Fig.8.1)
2. Rotate disposer so that discharge tube is aligned with drain trap. (To prevent leaks, do not pull or bend discharge tube to drain trap.) If discharge tube is too short, you can purchase an extension from hardware store. (Disposer must remain in vertical position to prevent vibration.)
3. Place nut, then ferrule on discharge tube (not supplied) and tighten on drain trap. (If you have a double sink, use separate drain traps for both sides of sink.)
4. Ensure lower mounting ring is still securely locked over ridges on mounting flange. (Fig.8.2)
5. Place stopper in sink in close position. Fill sink with water, remove stopper and check for leaks.

8. CONNECT DISPOSER TO ELECTRICAL SUPPLY

ELECTRICAL SHOCK!

- To avoid electrical shock, disconnect power before installing or servicing disposer.
- If you are not thoroughly familiar with electric power, contact a qualified electrician to connect disposer to electrical circuit.
- If three-prong, earth (grounded) plug is used, plug must be inserted into three-hole, earth (grounded) receptacle.
- Do not modify plug provided with unit (if applicable).
- Improper connection of equipment earth (grounded) conductor can result in electric shock.
- All wiring must comply with local electrical codes.
- Do not attach earth wire (ground wire) to gas supply pipe.
- Do not reconnect electrical current at main service panel until proper earth (grounded) outlets are installed.
- If the supply cord is damaged, it must be replaced by the manufacturer, its service agent or similarly qualified persons in order to avoid a hazard.

NOTE: You must have access to an earth (grounded) wall socket. Any additional socket should be fitted by a qualified electrician and properly earthed (grounded). The disposer is fitted with a molded plug and cable.

CONNECTING THE GRINDER TO THE POWER UNIT (Fig. 11)

After installing the disposer on the sink, it must be connected to the power unit.

1. Fasten the power unit (1) on the side or rear wall of the wash area so that the cable from the disposer reaches the connector on the power unit with a margin (installation dimensions are shown in Figure 2.1). Also note that in the future, a air switch hose will be connected to the power unit. Decide in advance on the installation location of the air switch and measure whether the length of the hose from the meta installation to the power unit is enough.

2. Unscrew the protective cover (2) on the power unit input connector.
3. Connect the 4-pin cable (3) from the disposer to the power unit (1) according to the guide slots. Additionally, make sure that the numbering of the pins on the disposer side cable connector matches the mating numbers on the power unit connector.
4. Secure the connection with the screw socket (4).

ON/OFF CONTROL

There are two types of controls for continuous-feed disposers:

1) Doublepole switch

Double Pole Switch (1): If a wall switch (not supplied) is required for your installation, it must have on/off markings and be installed by a qualified tradesperson. It should be located in a convenient position above the work surface with a minimum of 3 mm contact separation between each pole (20 ADP switches to BS 3676). Connect to a 20 amp earth (grounded) wall socket (2) using a 20 amp cable. (Fig.9.1)

2) Air Switch

Disposer include a built-in air switch (White and Chrome finishes). An air switch activates/turns off the unit by sending a pulse of air to the control box.

AIR SWITCH INSTALLATION

1. Drill a 33 mm wide hole into the kitchen work top, or the corner of the sink unit, at the most convenient point for use.
Some sink units may already have a suitable hole in them which can be exposed by removing the cap.
2. Remove the nut from the push button bellows, while keeping the stainless steel washer and rubber gasket in place.
Push one end of the PVC tubing onto the spout of the push button bellows, feed the other end of the tube through the hole in the work top and through the nut underneath the work top. (Fig.9.2)
3. Fit the push button bellows in the hole and then screw up the nut underneath the work top until it is hand tight. Do not use a wrench to tighten the nut. (Fig.9.3)
4. Take the other end of the air tube and firmly push it over the spout of the air switch, which is located on the side of the power unit. (Fig.9.4)

DISABLING THE AIR SWITCH

The air switch can be disabled if wall switch operation is preferred.

The disposer is shipped with the switch in the "off" position.

1. Push one end of the PVC tubing provided onto the spout of the push button bellows. (Fig.9.2)
2. Take the other end of the air tube and push it over the spout of the air switch, which is located on the side of the power unit. (Fig.9.4)

3. Depress the air switch one time until you hear the switch "click."

Remove and discard the push button bellows and PVC tubing. The disposer may now be activated by a wall switch.

The disposer installation is complete. Read all operating and safety instructions in Instruction 10 before operating the disposer.

9. IMPORTANT SAFETY INSTRUCTIONS

When using electronic appliances, basic precautions are always to be followed, including:

- If the air switch or wall switch fails to shut off or turn on disposer, unplug power cord plug and contact your qualified trade person.
- This product is designed to dispose of normal household food waste; inserting materials other than food waste into disposer could cause personal injury and/or property damage. To reduce the risk of injury, do not use the sink containing the disposer for purposes other than food preparation (such as baby bathing or washing hair).
- This appliance is not intended for use by persons (including children) with reduced physical, sensory or mental capabilities, or lack of experience and knowledge, unless they have been given supervision or instruction concerning use of appliance by a person responsible for their safety. Children should be supervised to ensure that they do not play with disposer. To reduce the risk of injury, close supervision is required when an appliance is used near children.
- When attempting to loosen a jam in the food waste disposer, switch off or unplug the appliance before attempting to free a jammed rotor. Use a self service wrenchette as described in the Releasing Disposer Jam section.
- Use long-handled tongs or pliers to remove objects from disposer.
- To reduce the risk of injury by materials that are expellable by a waste disposer, do not operate disposers without the sound baffle in place. Place stopper in sink opening as shown in Figure 10.2 or 10.4.

Do not put the following into a disposer: clam or oyster shells, caustic drain cleaners or similar products, glass, china, or plastic, large (whole) bones, metal (such as bottle caps, steel shot, tin cans, or utensils), hot grease or other hot liquids.

- Replace sound baffle when worn to help prevent entry or ejection of material and water.
- When not using disposer, leave stopper in place to reduce risk of objects falling into disposer. Make sure disposer power switch is turned off.
- Before pressing reset button, attempting to clear jam, or removing objects from inside disposer, make sure disposer power switch is turned off.
- Do not insert hands or fingers into disposer.
- FIRE HAZARD: Do not store flammable items such as rags, paper, or aerosol cans near disposer. Do not store or use gasoline or other flammable vapors and liquids in vicinity of disposer.
- Do not dispose of the following in the disposer: paints, solvents, household cleaners and chemicals, automotive fluids, plastic wrap.

10. OPERATING INSTRUCTIONS

1. Remove the filter mesh from the drain hole. If the grinder was connected to the water supply, then water will start flowing into the chamber automatically at the moment it is turned on. Otherwise, turn on cold tap water.
2. Use the wall switch or pneumatic switch (Figure 10.1) to start the shredder.
3. Slowly lower the food waste into the chamber and set the filter mesh in a vertical position (so that water can flow through it) to reduce noise and possible waste release during grinding (Figure 10.2).
4. After grinding is complete, turn off the chopper and run water for at least 15 seconds to flush the drain line (if not using the automatic water supply).

DO...

- Grind food waste with minimum cold water flow of 6 liters per minute (1.5 G.P.M.).
- Grind hard material such as small bones and fruit pits to clean inside of grind chamber.
- Grind citrus, melon rinds, vegetables, and coffee grounds.
- After grinding, run water for at least 15 seconds to flush drain line.
- Switch off or unplug the appliance before attempting to free a jammed rotor with an implement.
- Maintain the area underneath the disposer of any objects to be sure you have access to the disposer reset button.

DON'T...

- Don't use hot water when grinding food waste (although hot water can be drained into disposer between grinding periods).
- Don't turn off water or disposer until grinding is completed and only sound of motor and water running is heard.
- Don't grind large amounts of egg shells, fibrous materials like corn husks, artichokes, etc., to avoid possible pipe blockage.
- Don't grind non-food waste of any kind.
- Don't use this appliance to dispose of hard materials such as glass and metal.
- Don't ever pour fats, oils or grease down the sink – it will block your drains and the sewerage system.

CLEANING DISPOSER

Over time, grease/food particles may accumulate in the grind chamber and baffle, causing an unpleasant odor.

To clean the disposer:

1. Turn off disposer and disconnect power supply.
2. Reach through sink opening and clean underside of splash baffle and inside upper lip of grind chamber with scouring pad.
3. Place stopper in sink opening and fill sink halfway with warm water.
4. Mix 60 ml baking soda with water. Turn disposer on and remove stopper from sink at same time to wash away loose particles.

RELEASING DISPOSER JAM

If the motor stops while the disposer is operating, the disposer may be jammed.

To release jam: Turn disposer power and water off. (Fig.10.5)

1. Insert one end of the self-service wrench into the center hole on the bottom of the disposer. Work the wrench back and forth until it turns one full revolution. Remove wrench.
2. Reach into the disposer with tongs and remove object(s). Allow the disposer motor to cool for 3 - 5 minutes. If the motor remains inoperative, check the service panel for tripped circuit breakers or blown fuses.

SERVICE

If service is required, contact an Authorized Service Center or your dealer. Warranties are void if you remove your disposer after installation and attempt to repair it, or if the disposer is used for commercial purposes.

SPECIFICATIONS

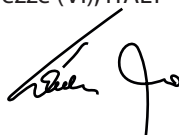
Model	NEXT 200 Compact
Rated voltage	220-240 V~
Input power	560 W
No load speed	1200-2200 RPM
Motor type	BLDC
Protection	overcurrent, overload
Auto-reverse	+
Grinding capacity	1050 ml
Grindingt stages	3
Weight	5 kg

SET: disposer, power unit, pneumatic shutter, filtrating bracket with rubber plug, mounting assembly, Water drain pipe with string bracket, screw 30 mm (3 pcs.).

The manufacturer reserves the right to make changes and improvements to the products and to alter specifications without prior notice.

CE DECLARATION OF CONFORMITY

We STATUS ITALIA S.R.L. as the responsible manufacturer declare that the following STATUS machine(s): food waste disposer Model No./ Type: "NEXT 200 Compact" are of series production and conforms to the following European Directives: 2014/35/EU, 2014/30/EU. And are manufactured in accordance with the following standards or standardised documents: EN 55014-1, EN 55014-2, EN 61000-3-2, EN61000-3-3, EN 62333, EN60335-1, EN60335-2. The technical documentation kept by the manufacturer: STATUS ITALIA S.R.L., via Aldo Moro, 14/A, 36060 - Pianezze (VI), ITALY



Caron Giacinto
Director
STATUS ITALIA S.r.l.

Leggere attentamente tutte le Istruzioni relative a installazione, manutenzione e utilizzo prima di installare il dissipatore di rifiuti. Prima di iniziare a lavorare, stabilire quali sono gli attrezzi, i materiali e gli accessori occorrenti. Accertarsi di avere a disposizione tutti i componenti necessari prima di installare il dissipatore di rifiuti.

ATTREZZI E MATERIALI OCCORRENTI:

Cacciavite, chiave inglese, nastro adesivo isolante, occhiali di sicurezza

ATTREZZI, MATERIALI E ACCESSORI CHE POTREBBERO SERVIRE:

Cacciavite a croce, trivella sturascarichi, amperometro a pinza da 9,5 mm, dadi autobloccanti (2), sifone 38 mm, trapano per foro 33 mm, martello, seghetto, fascetta fermatubi per tubo flessibile dell'acqua, chiave stringitubo, filo di messa a terra in rame, kit per collegamento allo scarico della lavastoviglie, interruttore On/Off, prolunga tubo di scarico, 2 viti autofilettanti 3,5x16 mm.

ELENCO COMPONENTI (Fig.1.1)

GRUPPO DI MONTAGGIO

1. Filtro a cestello
2. Flangia del lavello
3. Anello nero
4. Lavello
5. Guarnizione morbido bianco
6. Guarnizione difficile bianco
7. Anello di sostegno

8. Anello elastico

9. Viti (M8x40mm.- 3*,
M8x30mm.- 3**)

10. Anello di gomma per ridurre il rumore

11. Anello di bloccaggio

12. Dissipatore di rifiuti alimentari

13. Ingresso lavastoviglie

14. Uscita di scarico

15. Brugola

15. Wrenchette

GRUPPO DI SCARICO

16. Cravatta fermatubi

17. Tubazione di scarico (38 mm)

* Montato su un prodotto (parete spessore 1 mm.)

** Viti supplementari (spessore di parete maggiore di 1 mm.)

1. CONTROLLO DELLE DIMENSIONI (Fig.2.1)

Le dimensioni di installazione sono mostrate nella figura.

Lunghezza cavo tra dissipatore e unità di controllo ~600 mm.

Per ottenere uno scarico corretto del dissipatore di rifiuti impedendo che l'acqua ristagni, occorre che il tubo di scarico che entra nel muro sia più basso rispetto all'uscita di scarico del dissipatore stesso.

2. SCOLLEGAMENTO DELLO SCARICO DEL LAVELLO

ATTENZIONE! LESIONI PERSONALI! È consigliabile adoperare gli occhiali di sicurezza durante l'installazione del dissipatore di rifiuti alimentari.

1. Allentare il dado (1) nella parte superiore del sifone (4) con la chiave stringitubo (Fig.3.1).
2. Allentare il dado (2) situato nella parte superiore della prolunga. Rimuovere la prolunga.
3. Allentare il dado (3) situato alla base della flangia del lavello.
4. Spingere la flangia del lavello verso l'alto attraverso il foro del lavello e rimuoverlo (Fig.3.2).
5. Pulire l'area della flangia del lavello asportando eventuali residui di mastice o altri materiali estranei.

NOTA: Può essere necessario allargare il foro del lavello per far entrare la flangia del lavello del dissipatore di rifiuti. È possibile acquistare un attrezzo per allargare il foro presso il proprio rivenditore di prodotti.

3. SMONTAGGIO DEL GRUPPO DI MONTAGGIO DEL NUOVO DISSIPATORE DI RIFIUTI (Fig.4.1)

1. Girare il montaggio, allentare le tre viti (1).
2. Ruotare la piastra di pressatura di serraggio (2) in modo che il foro rotondo mezzo (3) coincidono con il dente di bloccaggio (4) sulla flangia lavandino.
3. Ora supporto può essere smontato.

4. COLLEGAMENTO DELLA PARTE SUPERIORE DEL GRUPPO DI MONTAGGIO AL LAVELLO & COLLEGAMENTO DEL DISSIPATORE DI RIFIUTI AL GRUPPO DI MONTAGGIO

LESIONE PERSONALE! Per evitare lesioni personali, non posizionare la testa o il corpo sotto il dissipatore; l'unità potrebbe cadere durante installazione. Rimuovere eventuali oggetti dalla all'interno della camera di dissipatore di macinazione prima mountingthe dissipatore al lavello. Questo prodotto deve essere installato in modo che il pulsante di reset del motore si trova sul fondo del dissipatore è facilmente accessibile. Mantenere questo spazio libero di tutti gli oggetti.

1. Pulire le cose sporche intorno al lavandino (4). (Fig.1.1)
2. O-ring nero (3), la flangia sinkl (2), cestino Stainer e spina (1) vengono messi nel lavandino (4). (Fig.1.1)
3. Bianco guarnizione morbida (5), la guarnizione bianca dura (6), piastra di bloccaggio (7), la piastra di serraggio pressione (8) sono messi nella flangia lavandino (2) secondo la sequenza. (Fig.1.1)
4. Il punto di chiusura (2) passa attraverso il foro semicircolare (3), quindi ruotare la flangia lavandino (1) fino al punto di bloccaggio nella tra del dent due di bloccaggio (4). (Fig.5.1)
5. Serrare le 3 viti (5) nella piastra di pressatura di bloccaggio (6). Fino a 3 viti toccano zona del triangolo della piastra di bloccaggio (7), si prega di serrarle. (Fig.5.2)
6. Anello di bloccaggio (11) e l'anello di gomma (10) vengono messe in bocca il cibo del dissipatore di rifiuti. (Fig.1.1)
7. Verticalmente sollevare il dissipatore di rifiuti alimentari al fine di garantire l'anello di gomma (10) e lavello flangia (2) completamente e in modo uniforme in contatto. (Fig.1.1)
8. Orizzontalmente e destra direzione scorrere l'anello di bloccaggio (8) per permettere l'oggetto di sospensione (9) caduta sulla piastra di pressione di serraggio (11) ed appendere bordo (12). Così il dissipatore di rifiuti alimentari vengono impiccati sotto il lavandino. (Fig.5.3)
9. To inserire il cacciavite nella parte interna della linguetta sporgente (10), svoltare a destra fino a quando l'anello di bloccaggio (8) rendere il sporgevano spina toccare la sede della vite (13). (Fig.5.3)
10. Acqua run in lavandino, poi controllare eventuali perdite.
11. Inserire deflettore del suono in apertura lavandino, con il lato piatto verso l'alto.

5. PULIZIA DEL TUBO DI SCARICO DEL LAVELLO

La mancata pulizia del tubo di scarico del lavello può provocare l'intasamento del tubo di scarico.

1. Rimuovere il sifone (Fig.6.1).
2. Con la trivella sturascarichi, asportare tutte le incrostazioni residue di cibo nella sezione orizzontale che va dal sifone al tubo principale.

SE NON SI INTENDE COLLEGARE LA LAVASTOVIGLIE AL DISSIPATORE DI RIFIUTI, SALTARE AL PUNTO 7.

6. COLLEGAMENTO ALLA LAVASTOVIGLIE E COLLEGAMENTO DEL TROPPOPIENO

L'acqua di scarico della lavastoviglie può essere inviata al dissipatore di rifiuti attraverso l'ingresso situato nella parte superiore del dissipatore di rifiuti. Su tutti i modelli c'è un tappo di plastica all'interno del tubo d'ingresso. Una volta che questo tappo è stato rimosso, non è più possibile reinstallarlo.

NOTA: se il collegamento della lavastoviglie viene effettuato senza togliere il tappo, l'acqua può fuoriuscire dalla lavastoviglie. (I collegamenti devono essere effettuati in conformità con le normative idrauliche locali.)

RIMOZIONE DEL TAPPO

1. Appoggiare il dissipatore di rifiuti sul lato opposto al tappo e inserire il cacciavite nel tubo di collegamento con la lavastoviglie, con la punta del cacciavite che poggia sul tappo.
2. Dare dei colpetti sul manico del cacciavite con un martellino finché il tappo si rompe (Fig.7.1).
3. Togliere il tappo dal tubo del dissipatore.

Se il lavello è dotato di un troppopieno, questo deve essere collegato all'apposito raccordo situato sul tubo di scarico (Fig.7.2). Per eseguire tale collegamento, togliere il tappo del tubo di scarico svitandone il cappuccio (Fig.7.3).

7. COLLEGAMENTO DELLA TUBAZIONE DI SCARICO AL TUBO DI SCARICO

- È consigliabile adoperare gli occhiali di sicurezza durante l'installazione del dissipatore di rifiuti alimentari.
- Modelli devono essere collegati al tubo di scarico in dotazione con la fascetta fermatubi elastica, anch'essa in dotazione (Fig.8.1). Il mancato utilizzo dei tubi e della fascetta fermatubi elastica in dotazione farà decadere la garanzia e potrà eventualmente causare il cedimento prematuro del sistema tubo di scarico antivibrazioni.
- Non utilizzare mastice da idraulico sui raccordi del dissipatore, eccetto che sulla flangia del lavello. Non utilizzare sigillante per filetti o grasso per tubi. Questi prodotti possono danneggiare il dissipatore di rifiuti e causare danni all'abitazione.
- Ispezionare periodicamente i raccordi del dissipatore di rifiuti e le connessioni controllando che non vi siano perdite d'acqua, perché queste possono causare danni all'abitazione. L'azienda produttrice non si assume alcuna responsabilità per danni all'abitazione derivanti da perdite d'acqua.

INSTALLAZIONE TUBAZIONE DI SCARICO (Fig.8.1)

1. Inserire la tubazione di scarico (2) nel gruppo tubo di scarico antivibrazioni. Fissare con la fascetta fermatubi elastica (1)
2. Ruotare il dissipatore di rifiuti in modo da allineare la tubazione di scarico con il sifone. (Per impedire che in seguito vi siano perdite, non tirare o piegare la tubazione di scarico verso il sifone.) Se la tubazione di scarico è troppo corta, è possibile acquistare una prolunga in un negozio di ferramenta. (Il dissipatore di rifiuti deve rimanere in posizione verticale per impedire che vi siano vibrazioni.)
3. Posizionare il dado e quindi la boccola sulla tubazione di scarico (non fornita in dotazione) e serrare lo scarico verso il sifone. (Se si ha un doppio lavello, utilizzare un sifone separato per ciascun lavello.)
4. Accertarsi che l'anello di montaggio inferiore sia ancora ben bloccato sugli angoli della flangia di montaggio.

8. COLLEGAMENTO DEL DISSIPATORE DI RIFIUTI ALL'ALIMENTAZIONE ELETTRICA

AVVISO! SCOSSE ELETTRICHE

- Per non correre il rischio di scosse elettriche, togliere la corrente prima di installare o fare la manutenzione del dissipatore di rifiuti.
- Se non si è pratici di lavori elettrici, fare eseguire i collegamenti elettrici del dissipatore di rifiuti a un elettricista qualificato.
- Se si utilizza una spina tripolare con contatto di terra, tale spina dev'essere inserita in una presa di corrente tripolare (a tre fori) con contatto di terra.
- Non modificare la spina in dotazione (se applicabile).
- Se il collegamento del conduttore di terra (massa) dell'apparecchio non viene eseguito a regola d'arte, ciò può provocare scosse elettriche.
- Tutti i cablaggi devono essere eseguiti in conformità con le norme elettriche locali.
- Non ricollegare l'alimentazione elettrica dal quadro prima di avere installato una presa di corrente con contatto a terra.
- Se il cavo di alimentazione è danneggiato, deve essere sostituito dall'azienda produttrice, dal centro di assistenza autorizzato o da personale qualificato, onde evitare pericoli.

NOTA: è necessario accedere a una presa di corrente con contatto a terra. Ogni eventuale presa aggiuntiva deve essere installata da un elettricista qualificato e deve essere dotata di contatto a terra. Il dissipatore di rifiuti è dotato di una spina stampata e relativo cavo di alimentazione.

COLLEGAMENTO DEL MULINO ALLA CENTRALINA (Fig. 11)

Dopo aver installato il dissipatore sul lavello, deve essere collegato all'unità di alimentazione.

1. Fissare l'unità di alimentazione (1) sulla parete laterale o posteriore della zona di lavaggio in modo che il cavo del dissipatore raggiunga con un margine il connettore sull'unità di alimentazione (le dimensioni di installazione sono riportate in Figura 2.1). Si noti inoltre che in futuro un tubo dell'interruttore dell'aria sarà collegato all'unità di alimentazione. Decidere in anticipo la posizione di installazione dell'interruttore dell'aria e misurare se la lunghezza del tubo dalla meta installazione all'unità di alimentazione è sufficiente.
2. Svitare il coperchio di protezione (2) sul connettore di ingresso dell'unità di alimentazione.
3. Collegare il cavo a 4 pin (3) dal dissipatore all'unità di alimentazione (1) secondo le fessure di guida. Inoltre, assicurarsi che la numerazione dei pin sul connettore del cavo lato dissipatore corrisponda ai numeri di accoppiamento sul connettore dell'unità di alimentazione.
4. Fissare il collegamento con la presa a vite (4).

ATTIVAZIONE/DISATTIVAZIONE

Nei dissipatori ad alimentazione continua vi sono due tipi di interruttori: un interruttore bipolare e un interruttore pneumatico.

Interruttore bipolare Se fosse necessario un interruttore a parete (non fornito in dotazione), deve essere installato da un elettricista qualificato e indicare chiaramente le posizioni di acceso/spento. Esso deve essere installato in una posizione conveniente al di sopra del piano di lavoro, con almeno 3 mm di distanza tra ciascun polo (interruttori 20 ADP conformi alla norma BS 3676). Collegare a una presa di corrente 20 A con contatto a terra (2), mediante un cavo 20 A (vedere la figura 9.1).

Interruttore pneumatico:

I modelli sono dotati di un interruttore pneumatico integrato.

Un interruttore pneumatico permette di attivare/disattivare il dispositivo mediante invio di un impulso d'aria al quadro comandi.

INSTALLAZIONE DELL'INTERRUTTORE PNEUMATICO

Il pulsante dell'interruttore pneumatico è disponibile con due tipi diversi di finitura. Se si desidera cambiare la finitura (la cosa è facoltativa), basta far leva sul pulsante per estrarlo e innestare l'altro tipo di pulsante sul soffietto (vedere la Figura 9.2).

1. Praticare un foro largo 33 mm nel piano di lavoro della cucina, o nell'angolo del lavello, nel punto più conveniente. In alcuni lavelli può essere già presente un foro idoneo, che verrà scoperto togliendo il relativo coperchio.
2. Rimuovere il dado dal soffietto del pulsante, tenendo contemporaneamente la rondella in acciaio inossidabile e la guarnizione di gomma nella loro sede. Spingere un'estremità del tubo di PVC sullo scarico del soffietto del pulsante, far passare l'altra estremità del tubo attraverso il foro nel piano di lavoro e attraverso il dado situato sotto il piano di lavoro (vedere la Figura 9.2).
3. Inserire il soffietto del pulsante nel foro e avvitare il dado sotto al piano di lavoro, serrando a mano. Non utilizzare una chiave per stringere il dado (vedere la Figura 9.3).
4. Prendi l'altra estremità del tubo dell'aria e spingilo sopra il beccuccio dell'interruttore dell'aria, che si trova sul lato dell'unità di alimentazione. (Fig.9.4).

DISATTIVAZIONE DELL'INTERRUTTORE PNEUMATICO

È possibile disattivare l'interruttore pneumatico qualora si preferisca utilizzare l'interruttore a parete. Il dissipatore di rifiuti viene fornito con l'interruttore in posizione "off".

1. Inserire un'estremità del tubo in PVC fornito in dotazione nello scarico del soffietto dell'interruttore pneumatico (vedere la Figura 9.3).
2. Prendi l'altra estremità del tubo dell'aria e spingilo sopra il beccuccio dell'interruttore dell'aria, che si trova sul lato dell'unità di alimentazione. (Fig.9.4).
3. Premere una sola volta sull'interruttore pneumatico finché esso emette un tipico suono secco. Rimuovere il soffietto del pulsante e il tubo in PVC ed eliminarli. Ora è possibile attivare il dissipatore di rifiuti mediante l'interruttore a parete.

9. IMPORTANTI NORME DI SICUREZZA

AVVISO! Quando si utilizzano apparecchi elettrici, occorre sempre osservare alcune norme precauzionali; in particolare:

- Se non fosse possibile accendere o spegnere il dissipatore mediante l'interruttore pneumatico o a parete, scollegare il cavo di alimentazione e contattare il rivenditore.
- Questo prodotto è stato progettato per lo smaltimento di normali rifiuti alimentari; l'inserimento di materiali di altro tipo può causare lesioni personali e/o danni all'abitazione. Per ridurre il rischio di lesioni personali, non utilizzare il lavello con dissipatore di rifiuti per scopi diversi dalle normali attività culinarie (ad esempio per fare il bagno a un neonato o per lavarsi i capelli).
- Questo apparecchio non è destinato a essere utilizzato da persone (inclusi i bambini) con ridotte abilità fisiche, sensoriali o mentali, o prive di esperienza e conoscenze, a meno che una persona responsabile della loro sicurezza non li sorvegli o abbia spiegato loro come utilizzarlo. Sorvegliare i bambini affinché non scambino il dissipatore di rifiuti per un giocattolo. Per ridurre il rischio di lesioni personali, prestare molta attenzione quando l'apparecchio viene utilizzato con dei bambini vicini.
- Quando si cerca di sbloccare il dissipatore di rifiuti alimentari inceppato, occorre prima spegnerlo o togliere la spina. Utilizzare la brugola come spiegato nella sezione Sbloccaggio del dissipatore inceppato.
- Utilizzare una pinzetta lunga per rimuovere oggetti dal dissipatore di rifiuti.

- Per ridurre il rischio di lesioni personali causate da materiali espulsi dal dissipatore, non mettere in funzione i modelli senza che la guarnizione di insonorizzazione sia nella sua sede. Mettere il tappo nel foro di scarico del lavello, come mostrato nella Figura 10.2 o 10.4. Non far entrare i seguenti materiali nel dissipatore di rifiuti: conchiglie o gusci d'ostrica, prodotti per sturare i lavandini a base di soda caustica o prodotti simili, vetro, porcellana o plastica, ossi grandi (interi), oggetti di metallo (come tappi di bottiglie, graniglia di acciaio, lattine o utensili), grassi caldi o altri liquidi bollenti.
- Quando la guarnizione di insonorizzazione, la guarnizione di montaggio o il diaframma antispruzzo sono usurati, sostituirli per impedire l'ingresso o l'espulsione di materiali e di acqua.
- Quando non si usa il dissipatore di rifiuti, mettere il tappo onde ridurre il rischio di caduta di oggetti nel dissipatore stesso. Accertarsi che l'interruttore del dissipatore di rifiuti sia in posizione Off.
- Prima di premere sul tasto di ripristino, di tentare di sbloccare il dissipatore intasato, o di togliere oggetti dal suo interno, accertarsi che l'interruttore del dissipatore sia nella posizione Off.
- Non mettere le mani o le dita nel dissipatore di rifiuti.
- **PERICOLO DI INCENDI** Non conservare oggetti infiammabili quali stracci, carta o bombolette spray vicino al dissipatore di rifiuti. Non conservare o utilizzare benzina o altri gas e liquidi infiammabili in prossimità del dissipatore di rifiuti.
- Non smaltire i seguenti materiali nel dissipatore: vernici, solventi, prodotti per la pulizia della casa e prodotti chimici, fluidi per l'auto, pellicole trasparenti di plastica.

10. ISTRUZIONI OPERATIVE

1. Rimuovere la rete del filtro dal foro di scarico. Se la smerigliatrice è stata collegata alla rete idrica, l'acqua inizierà a fluire automaticamente nella camera nel momento in cui viene accesa. Altrimenti, apri l'acqua del rubinetto fredda.
2. Utilizzare l'interruttore a parete o l'interruttore pneumatico (Figura 10.1) per avviare il distruggidocumenti.
3. Abbassare lentamente i rifiuti alimentari nella camera e posizionare la rete del filtro in posizione verticale (in modo che l'acqua possa fluire attraverso di essa) per ridurre il rumore e il possibile rilascio di rifiuti durante la macinazione (Figura 10.2).
4. Al termine della macinatura, spegnere il tritatutto e far scorrere l'acqua per almeno 15 secondi per lavare la linea di scarico (se non si utilizza l'alimentazione automatica dell'acqua).
5. Il filtro a cestello funge anche da tappo quando è nella posizione abbassata (Fig.10.3).

COSE GIUSTE DA FARE ...

- Triturare i rifiuti alimentari con un flusso di acqua fredda di almeno 6 litri (1,5 galloni) al minuto.
- Triturare materiali duri quali ossicini e noccioli, che permettono di pulire l'interno della camera di triturazione.
- Triturare agrumi, bucce di melone, verdure e fondi di caffè.
- Quando i rifiuti alimentari sono stati tutti sminuzzati, fare scorrere l'acqua per almeno 15 secondi, in modo da lavare la camera di scarico.
- Togliere la spina dalla presa di corrente prima di cercare di sbloccare un rotore inceppato con un attrezzo.
- Tenere l'area sotto il dissipatore di rifiuti sgombra da oggetti che potrebbero impedire di accedere al tasto di ripristino.

COSE DA EVITARE ...

- Non utilizzare acqua bollente durante la triturazione (tuttavia è possibile farlo nel periodo tra un ciclo di triturazione e l'altro).
- Non interrompere il flusso d'acqua e non spegnere il dissipatore prima che il ciclo di triturazione sia stato completato, ossia quando si sente solo il rumore del motore e dell'acqua che scorre.
- Non tritare grandi quantità di gusci d'uovo, materiali fibrosi quali cartocci di pannocchie di granturco, carciofi, ecc., perché si rischierebbe di intasare le tubazioni.
- Non tritare rifiuti non alimentari di alcun tipo.
- Non utilizzare l'apparecchio per smaltire materiali duri quali vetro e metallo.
- Non versare oli o grassi nel lavello, perché ciò potrebbe intasare lo scarico e la fognatura.
- Non far andare di colpo nel dissipatore grandi quantità di bucce di frutta o verdura. Aprire prima il rubinetto dell'acqua, azionare il dissipatore e infine immettere gradualmente le bucce.

PULIZIA DEL DISSIPATORE

Dopo un po' di tempo, è possibile che si accumulino particelle di grasso/cibo nella camera di triturazione e nel diaframma di insonorizzazione, provocando un odore sgradevole.

Per pulire il dissipatore di rifiuti:

1. Spegnerne il dissipatore di rifiuti e togliere l'alimentazione elettrica.
2. Attraverso il foro di scarico del lavello, pulire la parte inferiore del diaframma e il labbro superiore della camera di triturazione con una spugna.
3. Mettere il tappo nel foro di scarico del lavello e riempire il lavello a metà con acqua tiepida.
4. Mescolare 60 ml di bicarbonato con acqua. Azionare il dissipatore di rifiuti e togliere il tappo dal lavello per rimuovere i residui.

SBLOCCAGGIO DEL DISSIPATORE INCEPPATO

Se il motore cessa di girare mentre il dissipatore di rifiuti è in funzione, è possibile che il dissipatore sia inceppato.

Per sbloccarlo: Spegnerne il dissipatore di rifiuti e chiudere il rubinetto dell'acqua.

1. Inserire un'estremità della brugola nel foro centrale situato nella parte inferiore del dissipatore di rifiuti (Fig.10.5). Girare la brugola in entrambi i sensi fino a compiere una rotazione completa. Togliere la brugola.
2. Inserire una pinzetta nel dissipatore e togliere l'oggetto o gli oggetti che ostruiscono. Lasciar raffreddare il motore del dissipatore per 3 - 5 minuti. Se malgrado ciò il motore non gira, verificare sul quadro elettrico domestico se sono scattati interruttori automatici o sono bruciati dei fusibili).

ASSISTENZA

Prima di richiedere assistenza, contattare un centro di assistenza autorizzato (consultare l'elenco degli agenti allegato) o il proprio rivenditore. La garanzia decade se il dissipatore di rifiuti viene rimosso dopo l'installazione o qualora si tenti di ripararlo, o qualora il dissipatore di rifiuti venga utilizzato per scopi commerciali.

CARATTERISTICHE

Model	NEXT 200 Compact
Tensione	220-240 V~
Potenza	560 W
Velocità di rotazione nominale	1200-2200 RPM
Tipo di motore	BLDC
Protezione di sicurezza	Sovracorrente e protezione da sovraccarico
Funzione di inversione automatica	+
Capacità di macinazione	1050 ml
Macinazione stadi	3
Peso	5 kg

SET: dissipatore, alimentatore, serranda pneumatica, staffa filtrante con tappo in gomma, gruppo di montaggio, tubo di scarico acqua con staffa a cordino, vite 30 mm (3 pz.).

Il produttore si riserva il diritto di apportare modifiche e miglioramenti ai prodotti e di modificare le specifiche senza preavviso.

Dichiarazione CE di conformità

Noi di STATUS ITALIA S.R.L. in quanto il produttore responsabile dichiara che il seguente STATUS macchina/e: dissipatore di rifiuti alimentari Modello n./Tipo: "NEXT 200 Compact" sono di produzione in serie e sono conformi alle seguenti Direttive europee: 2014/35/UE, 2014/30/UE. E sono fabbricati in conformità con i seguenti standard o standardizzati documenti: EN 55014-1, EN 55014-2, EN 61000-3-2, EN61000-3-3, EN 62333, EN60335-1, EN60335-2. La documentazione tecnica conservata dal produttore: STATUS ITALIA S.R.L., via Aldo Moro, 14/A, 36060 - Pianezze (VI), ITALIA



Caron Giacinto
Director
STATUS ITALIA S.r.l.

ИНСТРУКЦИЯ ЗА МОНТАЖ, ПОДДРЪЖКА И ИЗПОЛЗВАНЕ НА МЕЛНИЦАТА

Преди монтажа на изделието, прочетете внимателно цялата инструкция за монтаж, поддръжка и използване.

Преди да започнете работата, определете какви инструменти, материали и оборудване са Ви необходими. Преди да монтирате мелницата, уверете се, че имате всички необходими части на продукта.

НЕОБХОДИМИ ИНСТРУМЕНТИ И МАТЕРИАЛИ: отвертка за кръгли гайки, клещи, изолационна лента, защитни очила

НЕОБХОДИМИ ИНСТРУМЕНТИ, МАТЕРИАЛИ И ДОПЪЛНИТЕЛНО ОБОРУДВАНЕ: кръстообразна отвертка, дренажна пробивна машина, електрическа клема 9,5 мм, резбовани гайки (2), сифон 38 мм, свредло 33 мм, чук, ножовка, скоба на водния маркуч, тръбни клещи, меден кабел за заземяване, водосточната тръба на съдомиялната машина, електрически превключвател, удължител на тръбата за източване, 2 винта 3,5x16 мм.

ОПИСАНИЕ НА ИЗДЕЛИЕТО

(Рис.1.1)

КОМПЛЕКТ ЗА МОНТАЖ

1. Филтрираща мрежа
2. Фланец на мивката
3. Уплътнителен пръстен (черен)
4. Мивка

5. Гумена гарнитура (бяла)

6. Фиброва гарнитура (бяла)

7. Опорен пръстен

8. Монтажен пръстен

МЕЛНИЦА

9. Винтове M8x40* (M8x30**)

10. Гумен пръстен

11. Долен монтажен пръстен

12. Мелница

13. Канал на съдомиялната

14. Отвеждащ отвор

15. Гаечен ключ

ВОДОСТОЧНА СИСТЕМА

16. Скоба

17. Дренажна тръба (38 мм)

* Монтирани на изделието (стена на мивката до 1 мм.),

** Допълнителни винтове (стена на мивката над 1 мм.)

1. ПРОВЕРКА НА МОНТАЖНИТЕ РАЗМЕРИ (Рис.2.1)

Монтажните размери са показани на фигурата. Дължина на кабела между мелница и контролен блок ~600 mm.

За почистване и предотвратяване на застои на вода в мелницата, нивото на дренажната тръба през стената трябва да бъде под нивото на изпускателния отвор.

2. СВАЛЯНЕ НА ДРЕНАЖНАТА ГЪРЛОВИНА (Рис.3.1 - 3.2)

ВНИМАНИЕ! Повреме на монтажа на мелницата е препоръчително да се носят предпазни очила.

1. Разхлабете гайката (1) в горната част на водосборника (4) с тръбен ключ (Рис.3.1).
2. Разхлабете гайката (2) в горната част на удължителната тръба. Свалете удължителната тръба.
3. Разхлабете гайката (3) в основата на фланеца на мивката.
4. Избутайте фланеца на мивката нагоре през водосточния отвор на мивката и го извлекете (Рис.3.2).
5. Почистете мястото за закрепяне на фланеца на мивката от уплътнителя или от отпадъци.

ЗАБЕЛЕЖКА: Може да е необходимо да се разшири отвора за източване за монтирането на фланеца на мелницата.

Оборудване за тази дейност се закупува отделно.

3. ДЕМОНТАЖ НА КОМПЛЕКТА ЗА МОНТИРАНЕ (Рис.4.1)

1. Завъртете монтажния възел и разхлабете трите крепежни винта (1).
2. Обърнете монтажния пръстен (2) така, че браздите (3) да съвпадат с фиксиращите издатини (4) на фланеца на мивката.

3. Сега монтажния възел може да бъде разглобен.

4. МОНТАЖ НА КРЕПЕЖНИЯ ВЪЗЕЛ КЪМ МИВКАТА И МОНТАЖ НА МЕЛНИЦАТА КЪМ НЕГО

1. Почистете повърхността на мивката от мръсотия и мазнина.
2. Поставете в мивката отгоре черния уплътнителен пръстен (3) фланеца на мивката (2) и филтъра (1). (Рис.1.1)
3. Поставете на фланеца на мивката отдолу бялото гумено уплътнение (5), бялото фиброво уплътнение (6) и опорния пръстен (7) с плоската страна нагоре. (Рис.1.1)
4. Монтажния пръстен нахлузете на фланеца на мивката (1) така, че полукръглите вдлъбнатини на монтажния пръстен да съвпадат (3) с фиксиращите издатини (2) на фланеца (1). (Рис.5.1)
5. Завъртете пръстена за монтаж, така че фиксиращите издатини на фланеца (2) да се окажат между двоените фиксиращи издатини на пръстена за монтаж (4). Затегнете 3-те винта (5) на монтажния пръстен (6), така че опорния пръстен (7) да натисне здраво уплътнението към дъното на мивката и да осигури надеждно фиксиране на целия възел към мивката. (Рис.5.2)
ВНИМАНИЕ! За да избегнете наранявания, внимавайте да не се намирате под мелницата по време на монтажа; възможно е падането на мелницата.
6. Монтирайте продукта по такъв начин, че да се осигури лесен достъп до бутона за рестартиране на двигателя в долната част на корпуса. Не блокирайте това място никакви предмети.
7. Проверете дали надеждно е монтиран гумения пръстен на гърлото на мелницата (10) и долния монтажен пръстен (11).
8. Вертикално повдигнете мелницата, за да осигурите плътния контакт на гумения пръстен (10) и фланеца на мивката (2). (Рис.1.1)
4. Завъртете пръстена (8) на ръка или с помощта на инструмент надясно, докато 3-те фиксиращи издатини (9) не попаднат на 3-те направляващи вдлъбнатини (12) на монтажния пръстен (11). (Рис.5.3)
9. За окончателната фиксация на мелницата на крепежния възел поставете отвертка в пръстеновидната издатина (10), и завъртете пръстена (8) надясно докрай в ограничените издатини на направляващите (12). (Рис.5.3)
10. Пуснете вода в мивката и проверете дали има теч.
11. Поставете шумопоглъщащия елемент в дренажния отвор з плоската страна нагоре.

5. ПРОЧИСТВАНЕ НА ДРЕНАЖНАТА ТРЪБА

Ако не се почиства тръбата за източване, тя може да се запуши.

1. Свалете водоуловителя. (Рис.6.1)
2. С помощта на очистител премахнете всички твърди утайки в хоризонталната част на дренажната тръба, започвайки от сифона, към основната тръба. напредвайки до момента, в който тя не се опре в преградата в края на тръбата.

АКО КЪМ МЕЛНИЦАТА НЯМА ДА СЕ СЪЕДИНЯВА СЪДОМИЯЛНА МАШИНА, ПРЕМИНЕТЕ КЪМ МОНТИРАНЕ НА МЕЛНИЦАТА

6. СВЪРЗВАНЕ СЪС СЪДОМИЯЛНА МАШИНА И ПРЕЛИВНО СЪЕДИНЕНИЕ

Отпадъчните води могат да бъдат изливани през мелницата, през отвора в горната част на изделието. Всички модели в имат тапа/преграда, във входната тръба. Преградата трябва да бъде отстранена.

ЗАБЕЛЕЖКА: Ако съдомиялната машина се съедини с мелницата без премахване на преградата, може да се случи преливане или заливане от съдомиялната.

Отстраняване на вътрешната тапа/преградата

1. Поставете мелницата настрани, и поставете отвертка във входната тръба за миялна машина, на гърба на мелницата. Движете я, докато тя не се опре в преградата-тапата.

2. С няколко удара с чук избийте преградата (Рис.7.1).

3. Премахнете преградата, паднала във вътрешната част на мелницата.

Ако мивката е препълнена с течност, трябва да се съедини с входа на преливната отвеждаща тръба (Рис.7.2).

За свързване към преливника, премахнете запушалката на отвеждащата тръба, развинтвайки капачката (Рис.7.3).

7. СВЪРЗВАНЕ НА ИЗХОДНИЯ НАКРАЙНИК КЪМ ДРЕНАЖНАТА ТРЪБА

ВНИМАНИЕ!

- Докато се монтира мелницата е препоръчително ползването на защитни очила.
- Този мелница е необходимо да се свържат към отвеждащата тръба с помощта на влизащата в комплекта пружинна скоба (Рис.8.1). При неупотребяване на прилагачите се тръби и пружинна скоба, ще бъде анулирана гаранцията и е възможно преждевременното излизане от строя на антивибрационната конструкция на отвеждащата тръба.
- Използвайте водопроводен херметик само за съединението на фланеца на мивката с мелницата. Не използвайте херметици за резбовите съединения на тръбите или анаеробни резбови херметици. Те могат да повредят изделието.
- Редовно проверявайте мелницата и фитингите за наличие на течове, тъй като течовете могат да доведат до повреди. Производителят не носи отговорност за вреди на имуществото в резултат на теч.

МОНТИРАНЕ НА ДРЕНАЖНАТА СИСТЕМА

1. Поставете дренажната тръба (2) в антивибрационната конструкция на изпускателната тръба. Закрепете я с помощта на пружинната скоба (1). (Рис.8.1)
2. Завъртете мелницата така, че да съвпадат изпускателната тръба със сифона. (за да се предотвратят течове не прилагайте усилие и не огъвайте изпускателната тръба по време на съединението със сифона.) Ако изпускателната тръба е твърде къса, можете да закупите удължаваща тръба отделно. (мелницата трябва да е във вертикално положение за предотвратяване на вибрации.)
3. Сложете гайката и след това муфтата на дренажната тръба (не е включена в комплекта) и я закрепете към сифона. (Ако имате сдвоена мивка, използвайте отделни сифони за всяка от частите на мивката.)
4. Убедете се, че долния монтажен пръстен е фиксиран на монтажния фланец.

8. ВКЛЮЧВАНЕ НА МЕЛНИЦАТА КЪМ ЕЛЕКТРИЧЕСКАТА МРЕЖА

ВНИМАНИЕ! ОПАСНОСТ ОТ ТОКОВ УДАР!

- За да предотвратите токов удар, преди да инсталирате или обслужвате уреда, изключете захранването.
 - Ако не сте квалифициран, обезпечете професионален електротехник, за да свърже продукта към мрежата.
 - Ако използвате щепсел от заземителен тип с три щифта, е необходимо да се използва заземен контакт с три щифта.
 - Не се допуска правенето на промени в конструкцията на щепсела, доставен с устройството.
 - Неправилното заземяване на оборудването може да доведе до токов удар.
 - Всички електрически връзки трябва да съответстват с електротехническите норми и стандарти.
 - Не съединявайте заземяването към тръба за подаване на газ.
 - Не включвайте електрическото табло преди да сте се убедили, че контактите са правилно и надеждно заземени.
 - Ако захранващият кабел е повреден, той трябва да бъде заменен от сервизен център.
- ЗАБЕЛЕЖКА:**Изисква се достъп до заземен контакт.Инсталирането на допълнителни контакти трябва да се прави от квалифициран електротехник, всички контакти трябва да бъдат правилно заземени.

СВЪРЗВАНЕ НА МЕЛАЧКАТА КЪМ ВЪНШНИЯ МОДУЛ (фиг. 11)

След като монтирате мелницата под мивката, тя трябва да бъде свързана към захранването.

1. Фиксирайте захранващия блок (1) на страничната или задната стена в зоната за миене по такъв начин, че кабелът от мелницата да достига до конектора на захранващия блок с резерв (размерите за монтаж са показани на Фигура 2.1) . Също така имайте предвид, че по-късно към захранването ще бъде свързан маркуч с пневматичен превключвател. Изберете предварително мястото на монтаж на пневматичния превключвател и измерете дали дължината на маркуча до захранването е достатъчна.
2. Развийте капачка (2) на входния конектор на захранващия блок (1).
3. Свържете 4-пиновия кабел (3) от мелницата към захранващия блок (1). Освен това се уверете, че номерацията на щифтовете на кабела на мелницата съвпада с номерата конектора на захранващия блок.
4. Стегнете връзката с винтовата муфа (4).

ВКЛЮЧВАНЕ/ИЗКЛЮЧВАНЕ НА ИЗДЕЛИЕТО

Изделието разполага с 2 вида управляващи елементи:

1) двупозиционен превключвател

Двупозиционен превключвател: Ако искате да инсталирате настенен превключвател (не е включен в комплекта), това трябва да се извърши от квалифициран специалист. Превключвателят трябва да се намира на удобно място над кухненския плот, разстоянието междуотсъединените контактина всеки полюс да не е по-малко от 3 мм (превключвател 20 ADP / BS 3676). С кабел 20 А да се свърже превключвателя към заземен контакт (2). (Рис. 9.1)

2) Пневмопревключвател

Този мелница са оборудвани със бутон за старт-стоп / пневмопревключвател и свързваща тръбичка. Пневмопревключвателят се активира/деактивира чрез изпращане на пневмоимпулс към контролния електронен блок.

МОНТИРАНЕ НА ПНЕВМОПРЕВКЛЮЧВАТЕЛЯ

1. Пробийте дупка с диаметър от 33 мм на подходящо място на плота или горния панел. Някои мивки вече могат да има подходящ отвор, за откриването на който е необходимо да се премахне капачето.
2. Отвъртете гайката от корпуса на бутона, докато държите шайбата от неръждаема стомана и гуменото уплътнение на място. Поставете единия край на тръбичката от PVC на дюзата на корпуса на бутона, а другия край мушнете в отвора плота на масата и гайката, разположена под повърхността на плота. (Рис.9.2)
3. Поставете корпуса на бутона в отвора и затегнете гайката, разположена под повърхността на плота (на ръка). Не използвайте гаечен ключ за затягане на гайката. (Рис.9.3)
4. Вземете другия край на тръбичката и здраво го нахлузете на дюзата на пневмопревключвателя, разположен от страната на захранването (Рис. 9.4). Затегнете с ръка гайката.

ИЗКЛЮЧВАНЕ НА ПНЕВМОПРЕВКЛЮЧВАТЕЛЯ

Пневмопревключвателят може да бъде изключен, когато използвате настенен превключвател. Мелницата се предлага с пневмопревключвател, нагласен в положение «изключено».

1. Поставете единия край на прилагащата се тръбичка от PVC на дюзата на корпуса на бутона. (Рис.9.2)
2. Вземете другия край на тръбичката и здраво го нахлузете на дюзата на пневмопревключвателя, разположен от страната на захранването. (Рис.9.4)
3. Натиснете веднъж пневмопревключвателя, докато се чуе щракане. Свалете корпуса на бутона и тръбичката от PVC.

Сега мелницата може да бъде включена и изключена с настенния електрически превключвател. Монтажът на мелницата е завършен. Преди използването на изделието прочетете всички инструкции за експлуатация и безопасност, изброени в Т.10 на настоящата инструкция.

9. ИНСТРУКЦИИ ЗА РАБОТА

1. Извадете филтърната мрежа от дренажния отвор. Ако мелницата е била свързана към водоснабдяването, тогава водата ще започне да тече автоматично в камерата в момента на включването ѝ. В противен случай включете студена вода от чешмата.
2. Използвайте стенен превключвател или пневматичен превключвател (Фигура 10.1), за да стартирате шредера.
3. Бавно спуснете хранителните отпадъци в камерата и поставете филтърната мрежа във вертикално положение (така че водата да може да тече през нея), за да намалите шума и евентуалното отделяне на отпадъци по време на смилането (Фигура 10.2).
4. След като шлифоването приключи, изключете хеликоптера и пуснете вода за поне 15 секунди, за да промиете дренажната тръба (ако не използвате автоматично подаване на вода).
5. Филтриращата мрежа може също да се използва като тапа, ако тя се закрепил в долно положение. (Рис.10.3) Накрая нагласете тапата в мивката в затворено положение. Напълнете мивката с вода, извадете тапата и проверете връзките за протичане на вода.

10. ВНИМАНИЕ! ВАЖНИ ИНСТРУКЦИИ, СВЪРЗАНИ С БЕЗОПАСНОСТТА

- Ако пневмопревключвателя или настенния превключвател не работи, извадете щепсела от контакта и проверете въздухопровода на пневмопревключвателя, а също така дали има ток в контакта.

- Настоящият продукт е разработен за смилане на хранителни отпадъци в домашни условия; попадането на различни от храна вещества в мелницата може да доведе до травма и/или да причини вреди на имуществото.

За да намалите риска от получаване на травми не използвайте мивката с монтираната мелница за други цели (например за къпане на дете или за миене на глава).

- Децата трябва да бъдат под надзора на възрастен и не трябва да играят с мелницата. За да се намали риска от нараняване, трябва да наглеждате децата при използване на продукта.

- При отстранение на заклиняване в мелницата, преди това изключете изделието и го изключете от електромержата. Използвайте гаечен ключ за самостоятелното отстранение на заседнали отпадъци съгласно инструкциите в раздел «Разблокиране на мелницата».

- За отстраняване на странични предмети от изделието използвайте клещи.

- За да намалите риска от нараняване от частици, изхвърлени от мелницата, се забранява използването на мелниците без монтиран шумопоглъщащия елемент. Поставете тапата в дренажния отвор, както е показано на Рис. 10.2 или 10.4. Не допускайте попадането в мелницата на следните предмети: черупки, в това число мидени, каустически средства за почистване на тъubi или аналогични химически продукти, стъкло, порцелан или пластмаса, крупни (кухи) кости, метални предмети (капачки от бутилки, консервни кутии, или кухненски прибори), гореща мазнина или други горещи течности.

- Заменете износения шумопоглъщащ елемент / монтажна гарнитура / защитен отражател, ако те са износени и вече не са способни да препятстват проникването или изхвърлянето на отпадъци и вода.

- Ако мелницата е заключена, използвайте тапата за предотвратяване на попадането на странични предмети в смилателната камера. Убедете се, че захранването на мелницата е изключено.

- Преди натискането на бутона за рестартиране, прочистване на заседнали отпадъци или отстраняване на странични предмети от смилателната камера се убедете, че захранването на мелницата е изключено.

- Не допускайте попадането на ръце и пръсти в смилателната камера.

ОПАСНОСТ ОТ ПОЖАР:

За да се сведе до минимум възможността от пожар, не съхранявайте в близост до изделието леснозапалими предмети като парцали, хартия или аерозолни флакони.

Не съхранявайте и не използвайте бензин или други смеси с лесно запалими изпаренията течности в близост до мелницата.

Не допускайте попадането на следните вещества в камерата на изделието: бои, разтворители, битови чистещи средства и химически вещества, автомобилни течности, пластмасови опаковки.

ТРЯБВА...

- Да се смилат хранителни отпадъци под напор на студена вода не по-малко от 6 литра/мин.

- Да се смилат твърди вещества, такива като малки кости и остатъци от плодове, за почистване на камерата на мелницата.

- Да се смилат цитрусови плодове, пълеши, зеленчуци и кафени зърна.

- След завършване на смилането да се пусне водата за не по-малко от 15 с, за да се промие отходната тръба.
- Да се изключва от контакта изделието преди отстраняване на засядане на ротора с помощта на инструменти.
- Не съхранявайте предмети под мелницата, за да се осигури достъп до бутона за рестартиране.

НЕ ТРЯБВА...

- Не използвайте гореща вода, когато смилате хранителни остатъци (въпреки че топла вода може да преминава през изделието когато то не се ползва).
- Не спирайте водата и не изключвайте изделието преди завършване на смилането, при това трябва да се чува шума на работещия двигател и на течащата вода.
- Не смилайте големи обеми черупки от яйца, влакнести материали, например листа от царевича, артишок и т. н., за да се избегне възможното запушване на тръбата.
- Смилайте само хранителни продукти.
- Не използвайте този прибор за смилане на твърди материали, например стъкло и метал.
- Никога не изливайте мас, олио или мазнина в мивката, тъй като това ще доведе до задръстване на системата на отвеждане и канализацията.
- Не запълвайте камерата на мелницата едновременно с голямо количество обелки от зеленчуци. Вместо това първо пуснете водата и мелницата и постепенно пускайте в нея обелките.

ПОЧИСТВАНЕ НА КАМЕРАТА НА МЕЛНИЦАТА

С течение на времето, частици мазнина/храна могат да се натрупат в камерата на мелницата и защитния отражател, издавайки неприятен мирис. За почистването на камерата на мелницата и защитния отражател:

1. Изключете устройството и го отсъединете от електрическата мрежа.
2. През отходния отвор, използвайки гъба за миене, очистете долната повърхност на защитния отражател и вътрешния горен край на камерата на мелницата.
3. Поставете тапата в отходния отвор и напълнете мивката с гореща вода наполовина.
4. Смесете с водата 60 мл сода за хляб. Включете изделието и премахнете тапата от мивката за промиване на странични частици.

РАЗБЛОКИРВАНЕ НА МЕЛНИЦАТА

Ако по време на работа двигателят спре, е вероятно заклиняването на движещите се части.

За да се премахне заклиняването:

1. Изключете захранването на мелницата и спрете водата.
2. Поставете единия край на гаечния ключ в централния отвор в долната част на продукта за самостоятелно отстраняване на заседнали отпадъци (Рис.10.5). Въртете ключа назад и напред, докато той не прави едно пълно завъртане. Извадете ключа.
3. Премахнете всички външни предмети, използвайки клещи с дълги дръжки. Оставете двигателя да изстине в продължение на 3-5 минути. Ако двигателят не се включва, проверете електрическото табло за наличие на задействани автоматически превключватели и изгорели бушони.

ОБСЛУЖВАНЕ

Ако трябва да се извърши поддръжка или ремонт на продукта, се свържете с оторизиран сервизен център или вашия търговец.

Гаранцията се анулира в следните случаи:

- ако продуктът се използва с нарушения на изискванията на това ръководство;
- при наличие на следи от отваряне на корпуса на изделието за самостоятелен ремонт.

По-подробно условията на действие на гаранцията са изложени в приложения към изделието гаранционен талон.

ТЕХНИЧЕСКИ ДАННИ

Модел	NEXT 200 Compact
Номинално напрежение	220-240 V~
Входна мощност	560 W
Няма скорост на натоварване	1200-2200/min.
Тип двигател	Безколекторен постояннооток (BLDC)
Защита	От претоварване и спадове в напрежението
Автоматично движение назад	+
Капацитет на смилане	1050 ml
Етапи на смилане	3
Тегло	5 kg

Комплектация: мелница, блок питания, Пневмоизключвател, Филтрираща мрежа с гума на тапа, Монтажен възел, Водосточна тръба с пружинна скоба, винт 30 мм (3 шт.).

Производителят си запазва правото да прави промени и подобрения на продуктите и да променя спецификациите без предизвестие.

Декларация за съответствие с нормите на ЕС

STATUS ITALIA S.R.L. заявява, че долуизброените продукти с марка STATUS:

Продукт: Мелница за хранителни отпадъци "NEXT 200 Compact" са произведени в съответствие със следните директиви на ЕС: 2014/35/EU, 2014/30/EU. Също така съответстват на изброените стандарти: EN 55014-1, EN 55014-2, EN 61000-3-2, EN61000-3-3, EN 62333, EN60335-1, EN60335-2. Техническата документация се пази при производителя: STATUS ITALIA S.R.L., via Aldo Moro, 14/A, 36060 - Pianezze (VI), ITALY

Caron Giacinto
Director
STATUS ITALIA S.r.l.



Перед установкой изделия прочтите внимательно все Руководство по установке, обслуживанию и использованию. Перед началом работ определите, какие инструменты, материалы и оборудование Вам необходимы.

Перед установкой измельчителя убедитесь в наличии всех необходимых частей изделия.

НЕОБХОДИМЫЕ ИНСТРУМЕНТЫ И МАТЕРИАЛЫ: отвертка крестообразная, шарнирные плоскогубцы, изоляционная лента, защитные очки, 2 самореза 3.5x16 мм.

ДОПОЛНИТЕЛЬНОЕ ОБОРУДОВАНИЕ: дренажный бур, электрическая клемма 9,5 мм, резьбовые гайки (2), сифон 38 мм, сверло 33 мм, молоток, ножовка, хомут водяного шланга, трубные клещи, медный провод заземления, комплект дренажного патрубка посудомоечной машины, электрический выключатель, удлинитель сливной трубы.

ОПИСАНИЕ ИЗДЕЛИЯ (Рис.1.1)
СБОРОЧНЫЙ УЗЕЛ

1. Фильтрующая сетка
2. Фланец мойки
3. Уплотнительное кольцо (черное)
4. Раковина
5. Прокладка резиновая (белая)

6. Прокладка фибровая (белая)

7. Опорное кольцо
 8. Монтажное кольцо
- ИЗМЕЛЬЧИТЕЛЬ**

9. Винты M8x40* (M8x30**)
10. Резиновое кольцо
11. Нижнее монтажное кольцо

12. Измельчитель

13. Слив посудомоечной машины

14. Выпускное отверстие

15. Гаечный ключ

16. Хомут

17. Сливная трубка (38 мм)

* Установлены на изделие (стенка раковины до 1 мм.),

** Дополнительные винты (стенка раковины толще 1 мм.)

1. ПРОВЕРКА УСТАНОВОЧНЫХ РАЗМЕРОВ (Рис.2.1)

Установочные размеры показаны на рисунке. Длина кабеля между измельчителем и управляющим блоком ~600 мм.

Для очистки и предотвращения застаивания воды в измельчителе, уровень сливной трубы, идущей через стену, должен быть ниже уровня выпускного отверстия измельчителя.

2. ОТСОЕДИНЕНИЕ СЛИВНОЙ ГОРЛОВИНЫ (Рис.3.1 - 3.2)

ВНИМАНИЕ! На время установки диспензера рекомендуется надевать защитные очки.

1. Ослабьте гайку (1) на верхней части водоуловителя (4) при помощи трубного ключа (Рис.3.1).
2. Ослабьте гайку (2) на верхней части удлинительной трубы. Снимите удлинительную трубу.
3. Ослабьте гайку (3) в основании фланца мойки.
4. Протолкните фланец мойки вверх через сливное отверстие раковины и извлеките его (Рис.3.2).
5. Очистите место крепления фланца мойки от герметика или мусора.

ПРИМЕЧАНИЕ: Возможно, возникнет необходимость в расширении сливного отверстия для установки фланца крепления измельчителя. Оборудование для расширения сливного отверстия приобретается отдельно.

3. ДЕМОНТАЖ СБОРОЧНОГО УЗЛА ИЗМЕЛЬЧИТЕЛЯ (Рис.4.1)

1. Переверните сборочный узел и ослабьте три крепежных винта (1).
2. Поверните монтажное кольцо (2) так, чтобы вырезы (3) совпали с фиксирующими выступами (4) на фланце мойки.
3. Теперь узел крепления можно разобрать.

4. ПРИСОЕДИНЕНИЕ КРЕПЕЖНОГО УЗЛА К МОЙКЕ И УСТАНОВКА НА НЕГО ИЗМЕЛЬЧИТЕЛЯ

1. Очистите поверхность раковины от грязи и жира.
2. Установите в раковину сверху черное уплотнительное кольцо (3), фланец мойки (2) и фильтр (1). (Рис.1.1)
3. Наденьте на фланец мойки снизу белую резиновую прокладку (5), белую фибровую прокладку (6) и опорное кольцо (7) плоской стороной вверх. (Рис.1.1)
4. Монтажное кольцо оденьте на фланец раковины (1) совместив полукруглые пазы на монтажном кольце (3) с фиксирующими выступами (2) на фланце (1). (Рис.5.1)
5. Поверните монтажное кольцо так, чтобы фиксирующие выступы фланца (2) оказались между парными фиксирующими выступами на монтажном кольце (4).
6. Затяните 3 винта (5) в монтажном кольце (6) таким образом, чтобы опорное кольцо (7) плотно прижало уплотнение к нижней части раковины и обеспечило надежную фиксацию всего крепежного узла на раковине. (Рис.5.2)

ВНИМАНИЕ! Во избежание травм следите за тем, чтобы во время съема и установки части Вашего тела не находились под измельчителем; во время установки возможно его падение.

6. Проверьте, надежно ли установлены на горловину диспозера резиновое кольцо (10) и нижнее монтажное кольцо (11).
7. Вертикально поднимите измельчитель пищевых отходов, чтобы обеспечить плотный контакт резинового кольца (10) и фланца раковины (2). (Рис.1.1)
8. Поворачивайте кольцо (8) рукой или при помощи инструмента вправо, пока 3 крепежных выступа (9) не попадут на 3 направляющие (12) монтажного кольца (11). (Рис.5.3)
9. Для окончательной фиксации измельчителя на крепежном узле вставьте отвертку в кольцевой выступ (10), и доверните кольцо (8) вправо до упора в ограничительные выступы на направляющих (12). (Рис.5.3)
10. Пустите воду в мойку, затем проверьте соединения на предмет утечек.
11. Вставьте шумопоглощающий экран в сливное отверстие плоской стороной вверх.

5. ПРОЧИСТКА СЛИВНОЙ ТРУБЫ

Если не прочищать сливную трубу, она может забиться.

1. Снимите водоуловитель. (Рис.6.1)
2. С помощью очистителя удалите все твердые осадки в горизонтальном участке сливной трубы, двигаясь со стороны сифона по направлению к основной трубе.

ЕСЛИ ПОСУДОМОЕЧНАЯ МАШИНА НЕ БУДЕТ ПОДСОЕДИНЕНА К ИЗМЕЛЬЧИТЕЛЮ, ПЕРЕЙДИТЕ К УСТАНОВКЕ ИЗМЕЛЬЧИТЕЛЯ

6. ПОДКЛЮЧЕНИЕ ПОСУДОМОЕЧНОЙ МАШИНЫ И ПЕРЕЛИВНОЕ СОЕДИНЕНИЕ

Отработанная вода может сливаться в измельчитель через входное отверстие в его верхней части. На всех моделях внутри впускной трубы есть перегородка. Перегородку необходимо удалить.

ПРИМЕЧАНИЕ: Если посудомоечная машина устанавливается без удаления перегородки, может произойти заливание посудомоечной машины.

1. Положите измельчитель набок и поместите отвертку в патрубок для подключения посудомоечной машины, продвигая ее до тех пор, пока она не упрется в перегородку в торце патрубка.
2. Несколькими ударами молотка выбейте перегородку в патрубке (Рис.7.1).
3. Удалите выбитую перегородку из чаши диспозера.

Если мойка переполнена жидкостью, то ее следует подключить к входу переливной выпускной трубы (Рис.7.2). Для подключения к входу переполнения, удалите заглушку выпускной трубы, отвинтив крышку (Рис.7.3).

7. ПОДСОЕДИНЕНИЕ ВЫХОДНОГО ПАТРУБКА К СЛИВНОЙ ТРУБКЕ ВНИМАНИЕ!

- На время установки измельчителя рекомендуется надевать защитные очки.
- Измельчитель необходимо подключить к прилагаемой выпускной трубе с помощью входящего в комплект пружинного хомута (Рис. 8.1). При неиспользовании прилагаемых трубок и пружинного хомута будет аннулирована гарантия и возможен преждевременный выход из строя антивибрационной конструкции выпускной трубы.
- Используйте сантехнический герметик только для соединения фланца мойки с измельчителем. Не используйте герметики для резьбовых соединений труб или анаэробные резьбовые герметики. Они могут повредить изделие.
- Регулярно проверяйте измельчитель и фитинги на наличие утечек воды, поскольку утечки воды могут повлечь за собой ущерб имуществу. Производитель не несет ответственности за ущерб имуществу в результате утечек воды.

УСТАНОВКА СЛИВНОЙ СИСТЕМЫ

1. Вставьте сливную трубку (2) в антивибрационную конструкцию выпускной трубы. Закрепите при помощи пружинного хомута (1). (Рис.8.1)
2. Поверните измельчитель таким образом, чтобы совместить сливную трубку с сифоном. (Для предотвращения утечек не прилагайте усилия и не гните сливную трубку при соединении ее с сифоном.) Если сливная трубка слишком коротка, Вы можете приобрести удлинительную трубу отдельно. (Измельчитель должен оставаться в вертикальном положении для предотвращения вибрации.)
3. Установите гайку и затем муфту на сливную трубку (не входит в комплект) и закрепите ее на сифоне. (Если у Вас двоякая мойка, используйте отдельные сифоны для каждой из частей мойки.)
4. Убедитесь, что нижнее установочное кольцо зафиксировано на установочном фланце.

8. ПОДКЛЮЧЕНИЕ ИЗМЕЛЬЧИТЕЛЯ К СЕТИ ВНИМАНИЕ! ПОРАЖЕНИЕ ЭЛЕКТРИЧЕСКИМ ТОКОМ

- Для предотвращения поражения электрическим током, перед установкой или обслуживанием изделия отключите питание.
- Если Вы недостаточно квалифицированы, вызовите электрика для подключения изделия к сети.
- Если используется трехконтактная штепсельная вилка с заземлением, для подключения необходимо использовать трехконтактную розетку с заземлением.
- Не допускается внесение изменений в конструкцию штепсельной вилки, поставляемой с устройством.
- Неправильное заземление оборудования может привести к поражению электрическим током.
- Все электрические соединения должны соответствовать электротехническим правилам и нормам.

- Не подсоединяйте заземление к трубе подачи газа.
 - Не включайте питание на распределительном щите до тех пор, пока не будут установлены розетки с надлежащим заземлением.
 - В случае повреждения провода питания его замену должны произвести в сервисном центре.
- ПРИМЕЧАНИЕ:** Необходим доступ к заземленной розетке. Установку всех дополнительных розеток должен выполнять квалифицированный электрик, и все розетки должны быть надлежащим образом заземлены.

ПОДКЛЮЧЕНИЕ ИЗМЕЛЬЧИТЕЛЯ К ВНЕШНЕМУ БЛОКУ (Рис. 11)

После установки измельчителя на мойку его необходимо подключить к блоку питания.

1. Закрепите блок питания (1) на боковой или задней стенке подмоечного пространства таким образом, чтобы кабель от измельчителя дотягивался до разъема на блоке питания с запасом (установочные размеры показаны на Рис 2.1). Также обратите внимание, что в дальнейшем к блоку питания будет подключен шланг пневмовыключателя. Заранее определитесь с местом установки пневмовыключателя и замерьте хватает ли длины шланга от места установки до блока питания.
2. Отвинтите защитную крышку (2) на входном разъеме блока питания (1).
3. Подключите кабель с 4-пиновым разъемом (3) от измельчителя к блоку питания (1) в соответствии с направляющими пазами. Дополнительно убедитесь, что нумерация штырьков на разъеме кабеля измельчителя соответствует ответным номерам на разъеме блока питания.
4. Зафиксируйте соединение винтовой муфтой (4).

ВКЛЮЧЕНИЕ/ВЫКЛЮЧЕНИЕ ИЗДЕЛИЯ

Существует два типа элементов управления:

1) Двухпозиционный выключатель

Если требуется установить настенный выключатель (не входит в комплект), то его должен устанавливать квалифицированный специалист. Выключатель должен располагаться в удобном месте над столешницей с расстоянием между разомкнутыми контактами каждого полюса не менее 3 мм (выключатели 20 ADP/BS 3676).

С помощью кабеля 20 А подсоедините выключатель к заземленной розетке 20 А (2). (Рис. 9.1)

2) Пневмовыключатель

Измельчитель комплектуются пневмовыключателем и присоединительной трубкой. Пневмовыключатель активируется/отключается посылкой пневмоимпульса в блок управления.

УСТАНОВКА ПНЕВМОВЫКЛЮЧАТЕЛЯ

1. Просверлите отверстие диаметром 33 мм в подходящем месте столешницы или верхней панели мойки. Некоторые мойки уже могут иметь подходящее отверстие, для открытия которого необходимо снять крышку.
2. Открутите гайку от корпуса нажимной кнопки, удерживая шайбу из нержавеющей стали и резиновую прокладку на месте. Поместите один конец ПВХ-трубки на носик на корпусе нажимной кнопки, а другой конец направьте в отверстие в столешнице и гайку, находящуюся под столешницей. (Рис.9.2)
3. Поместите корпус нажимной кнопки в отверстие и затяните гайку, находящуюся под столешницей (достаточно усилия руки). Запрещается использовать ключ, чтобы затянуть гайку. (Рис.9.3)

4. Возьмите другой конец воздуховода и плотно наденьте его на носик пневмовыключателя, расположенного на боковой стороне блока питания (Рис.9.4) Затяните рукой зажимную гайку.

ОТКЛЮЧЕНИЕ ПНЕВМОВЫКЛЮЧАТЕЛЯ

Пневмовыключатель может быть отключен при использовании настенного электрического выключателя. Измельчитель поставляется с пневмовыключателем установленным в положении «выключено».

1. Поместите один конец прилагаемой ПВХ-трубки на носик на корпусе нажимной кнопки. (Рис.9.2)
2. Возьмите другой конец воздуховода и наденьте его на носик пневмовыключателя, расположенного на боковой стороне блока питания (Рис.9.4).
3. Однократно отожмите пневмовыключатель, чтобы раздался щелчок. Снимите корпус кнопки и ПВХ-трубку. Теперь измельчитель может быть включен и выключен при помощи настенного электрического выключателя. Установка измельчителя завершена. Перед использованием изделия прочтите все инструкции по эксплуатации и безопасности, содержащиеся в пункте 10 данной инструкции.

9. ИНСТРУКЦИЯ ПО ЭКСПЛУАТАЦИИ

1. Удалите фильтрующую сетку из сливного отверстия. Если измельчитель был подключен к водопроводу, то вода начнет поступать в камеру автоматическим момент включения. В ином случае, включите холодную воду из крана.
2. Используйте настенный выключатель или пневмовыключатель (Рис.10.1) для запуска измельчителя.
3. Медленно опустите пищевые отходы в камеру и установите фильтрующую сетку в вертикальное положение (чтобы через нее протекала вода) для уменьшения шума и возможного выброса отходов во время измельчения (Рис.10.2).
4. После завершения измельчения выключите измельчитель и пустите воду не менее чем на 15 с, чтобы промыть сливной трубопровод (если не используется автоматическая подача воды).
5. Фильтрующая сетка может также использоваться в качестве пробки, если ее установить в нижнее положение. (Рис.10.3)

В заключение установите пробку в мойке в закрытое положение. Заполните мойку водой, выньте пробку и проверьте соединения на предмет протечек воды.

10. ВНИМАНИЕ! ВАЖНЫЕ ИНСТРУКЦИИ ПО БЕЗОПАСНОСТИ

- Если пневмовыключатель или настенный выключатель не работает, то выньте вилку шнура питания из розетки и проверьте воздуховод пневмовыключателя и подается ли на розетку электрический ток.
- Данный продукт разработан для измельчения остатков пищи в домашних условиях; попадание отличных от пищи веществ в измельчитель может вызвать травму и/или причинить ущерб имуществу. Для снижения риска получения травмы не используйте мойку с установленным измельчителем не для пищевых целей (например, для купания ребенка или мытья головы).
- Дети должны находиться под присмотром взрослых и не должны играть с измельчителем. Для снижения риска получения травмы необходимо бдительно следить за детьми при использовании изделия.

- При устранении заклинивания в измельчителе перед этим выключите прибор и отсоедините его от сети. Используйте гаечный ключ для самостоятельного удаления застрявших отходов согласно описанию в разделе «Устранение заклинивания измельчителя».
 - Для удаления посторонних предметов из изделия используйте щипцы или плоскогубцы.
 - Для снижения риска получения травмы от частиц, выбрасываемых измельчителем, запрещается использовать измельчитель без установленного шумопоглощающего экрана.
- Поместите пробку в сливное отверстие, как показано на Рис. 10.2 или 10.4. Не допускайте попадания в измельчитель следующих предметов: раковин, в том числе устричных, каустических средств для очистки труб или аналогичных химических продуктов, стекла, фарфора или пластика, крупных (полых) костей, металлических предметов (крышек для бутылок, консервных банок, или кухонных приборов), горячего жира либо других горячих жидкостей.
- Произведите замену изношенного шумопоглощающего экрана / установочной прокладки / защитного отражателя, если они изношены и уже не способны препятствовать проникновению или выбросу отходов и воды.
 - Если измельчитель выключен, используйте пробку для предотвращения попадания посторонних предметов в измельчительную камеру. Убедитесь, что питание измельчителя отключено.
 - Перед нажатием кнопки перезапуска, прочисткой затора или удалением посторонних объектов из измельчительной камеры убедитесь, что питание изделия отключено.
 - Не допускайте попадания рук и пальцев в камеру измельчителя.
 - **ОПАСНОСТЬ ВОЗГОРАНИЯ:** Для минимизации возможности возникновения пожара НЕ храните рядом с изделием воспламеняющиеся предметы, такие как ветошь, бумага или аэрозольные баллончики.
- Не храните и не используйте бензин или другие легковоспламеняющиеся парогазовые смеси и жидкости поблизости с измельчителем.
- Не допускайте попадания следующих веществ в камеру изделия: краски, растворители, бытовые чистящие средства и химические вещества, автомобильные жидкости, пластиковая упаковка.

СЛЕДУЕТ...

- Измельчать пищевые отходы под напором холодной воды не менее 6 литров/мин.
- Измельчать твердые вещества, такие как небольшие кости и остатки фруктов, для очистки камеры измельчения.
- Измельчать цитрусовые, дыни, овощи и кофейные зерна.
- После завершения измельчения пустить воду не менее чем на 15 с, чтобы промыть сливной трубопровод.
- Выключать из розетки изделие перед устранением заедания ротора с помощью инструмента.
- Не хранить каких-либо предметов под диспенсером, чтобы обеспечить доступ к кнопке перезапуска.

НЕЛЬЗЯ...

- Не используйте горячую воду при измельчении остатков продуктов (хотя допускается течение горячей воды через изделие между измельчениями).
- Не выключайте воду или изделие до завершения измельчения, при этом должен быть слышен шум работающего двигателя и бегущей воды.
- Не измельчайте большие объемы яичной скорлупы, волокнистых материалов, например кукурузной шелухи, артишоков и т. д., во избежание возможного засора трубы.
- Измельчайте только пищевые продукты.
- Не используйте этот прибор для измельчения твердых материалов, например стекла и металла.
- Никогда не выливайте сало, масла или жир в раковину, поскольку это приведет к засорению системы слива и канализации.
- Не заполняйте камеру измельчителя одновременно большим количеством очистков от овощей. Вместо этого сначала включите воду и измельчитель и постепенно опускайте в него очистки.

ОЧИСТКА КАМЕРЫ ИЗМЕЛЬЧИТЕЛЯ

С течением времени частицы жира/пищи могут скапливаться в камере измельчения и защитном отражателе, вызывая неприятный запах. Для очистки измельчительной камеры и отражателя:

1. Выключите ИЗДЕЛИЕ и отключите его от сети.
2. Через сливное отверстие, используя губку для промывки, произведите очистку нижней поверхности защитного отражателя и внутренней верхней кромки камеры измельчения.
3. Поместите пробку в сливное отверстие и наполните мойку горячей водой наполовину.
4. Смешайте с водой 60 мл пищевой соды. Включите изделие и удалите пробку из мойки для промывки посторонних частиц.

УСТРАНЕНИЕ ЗАКЛИНИВАНИЯ ИЗМЕЛЬЧИТЕЛЯ

Если во время работы измельчителя двигатель остановился, возможно заклинивание подвижных частей. Для устранения заклинивания:

1. Отключите питание измельчителя и перекройте воду.
2. Вставьте один конец гаечного ключа в центральное отверстие на дне изделия для самостоятельного удаления застрявших отходов (Рис.10.5). Поворачивайте гаечный ключ назад и вперед до тех пор, пока он не сделает один полный оборот. Выньте гаечный ключ.
3. Достаньте посторонние предметы при помощи клещей с длинными ручками.

ОБСЛУЖИВАНИЕ

Если требуется выполнить обслуживание или ремонт изделия, обратитесь в авторизованный сервисный центр или к своему дилеру.

Гарантия аннулируется в следующих случаях:

- если изделие использовалось с нарушениями требований данной инструкции
 - при наличии следов вскрытия корпуса изделия для самостоятельного ремонта
- Более подробно условия действия гарантии изложены в прилагаемом к изделию гарантийном талоне.

ТЕХНИЧЕСКИЕ ХАРАКТЕРИСТИКИ

Модель	NEXT 200 Compact
Напряжение	220-240 В~
Потребляемая мощность	560 Вт
номинальная частота вращения	1200-2200/мин.
Тип двигателя	бесщеточный постоянного тока (BLDC)
Защита	От перепадов напряжения и перегрузки
Авто-реверс	да
Объем камеры измельчения	1050 мл
Стадии измельчения	3
Масса	5 кг

Комплектация: измельчитель, блок питания, комплект пневмовыключателя, фильтрующая сетка с резиновой пробкой, монтажный узел, сливная труба с пружинным хомутом, винт 30 мм (3 шт.).

Производитель оставляет за собой право изменять технические параметры изделия и его комплектацию без предварительного уведомления.

СЕ Декларация соответствия

STATUS ITALIA S.R.L. заявляет, что нижеперечисленные изделия торговой марки STATUS: Изделие: Измельчитель пищевых отходов. Модели: NEXT 200 Compact изготовлен в соответствии со следующими директивами ЕС: 2014/35/EU, 2014/30/EU. А так же соответствуют нижеперечисленным стандартам: EN 55014-1, EN 55014-2, EN 61000-3-2, EN61000-3-3, EN 62333, EN60335-1, EN60335-2. Техническая документация хранится у производителя: STATUS ITALIA S.R.L., via Aldo Moro, 14/A, 36060 - Pianezze (VI), ITALY

Caron Giacinto
Director
STATUS ITALIA S.r.l.



Измельчители пищевых отходов марки «STATUS» соответствуют требованиям технических регламентам Таможенного союза и Евразийского экономического союза: ТР ТС № 004/2011 «О безопасности низковольтного оборудования», ТР ТС № 020/2011 «Об электромагнитной совместимости технических средств» ТР ЕАЭС № 037/2016 «Об ограничении применения опасных веществ в изделиях электротехники и радиоэлектроники».

Документы, подтверждающие соответствие продукции, размещены на сайте: www.status-tools.com. Сделано в Китае.

Изготовитель: STATUS ITALIA S.R.L.

Адрес местонахождения:

via Aldo Moro, 14/A, 36060 - Pianezze (VI), ITALY

Уполномоченное лицо изготовителя: ООО «СТАТУС ТУЛС»

Адрес: 143085, Московская область, Одинцовский район, р/п Заречье, территория 12 месяцев ЖК, стр. 13.

Дата изготовления: см. маркировку изделия

EN WARRANTY

STATUS products are warranted against defects in material and workmanship for the period of the warranty from the date of purchase. Periods of warranty: 5 years

SERVICE

If service is required, contact an STATUS Authorized Service Center (See www.status-disposer.com site) or your dealer.

Guarantees are void if you remove your disposer after installation and attempt to repair it, or if the disposer is used for commercial purposes.

IT GARANZIA

La garanzia sui prodotti STATUS copre difetti di materiali e lavorazione per il periodo della garanzia, che decorre dalla data di acquisto. Periodi di garanzia: 5 anni

ASSISTENZA

Prima di richiedere assistenza, contattare un centro di assistenza autorizzato da STATUS (si prega di visitare il sito www.status-disposer.com) o il proprio rivenditore.

La garanzia decade se il dissipatore di rifiuti viene rimosso dopo l'installazione o qualora si tenti di ripararlo, o qualora il dissipatore di rifiuti venga utilizzato per scopi commerciali.

BG ГАРАНЦИЯ

За мелниците с марка STATUS се предоставя гаранция за дефекти на материалите, използвани при производството за период от датата на покупката, посочен също и в гаранционния талон на закупения продукт. Гаранция 5 години

ОБСЛУЖВАНЕ: В случай, че възникне необходимост от обслужване, моля обърнете се към сервизен център STATUS (виж сайт www.status-disposer.com) или към дистрибутора. Гаранцията се анулира, ако мелницата е демонтирана самостоятелно след нейната първоначална инсталация с цел ремонтването му, експлоатиран е с нарушения на правилата, изложени в дадената инструкция, или е бил използван за търговски цели.

RU ГАРАНТИЯ

Для продукции STATUS предоставляется гарантия на дефекты материала и изготовления на гарантийный период с даты покупки. Гарантия 5 лет

ОБСЛУЖИВАНИЕ

Если требуется выполнить обслуживание, обратитесь в сервисный центр STATUS (см. сайт www.status-disposer.com) или к дилеру. Гарантии аннулируются, если диспозер самостоятельно разбирался после установки с целью его ремонта, эксплуатировался с нарушением правил изложенных в данной инструкции или использовался в коммерческих целях.

